

United States Patent [19]

Saito et al.

[11] Patent Number: **Des. 308,369**

[45] Date of Patent: **** Jun. 5, 1990**

[54] **TELEVISION SET**

[75] Inventors: **Tomitaro Saito; Yoshito Fujii; Tohru Ohtani**, all of Osaka, Japan

[73] Assignee: **Sharp Corporation**, Osaka, Japan

[**] Term: **14 Years**

[21] Appl. No.: **270,309**

[22] Filed: **Nov. 14, 1988**

[30] **Foreign Application Priority Data**

May 19, 1988 [JP] Japan 63-19814

[52] U.S. Cl. **D14/126**

[58] Field of Search D14/125-134,
D14/113, 299; 358/254, 255; 312/7.2

[56] **References Cited**

U.S. PATENT DOCUMENTS

D. 219,887 2/1971 Horzick D14/126
D. 265,651 8/1982 Brion D14/126
D. 265,825 8/1982 Brion D14/126

D. 298,247 10/1988 Kogane et al. D14/126
D. 298,323 11/1988 Ariyoshi et al. D14/126

OTHER PUBLICATIONS

HFD; 9/7/87; p. 85; top right-Panasonic model CTJ-3170R31 TV.

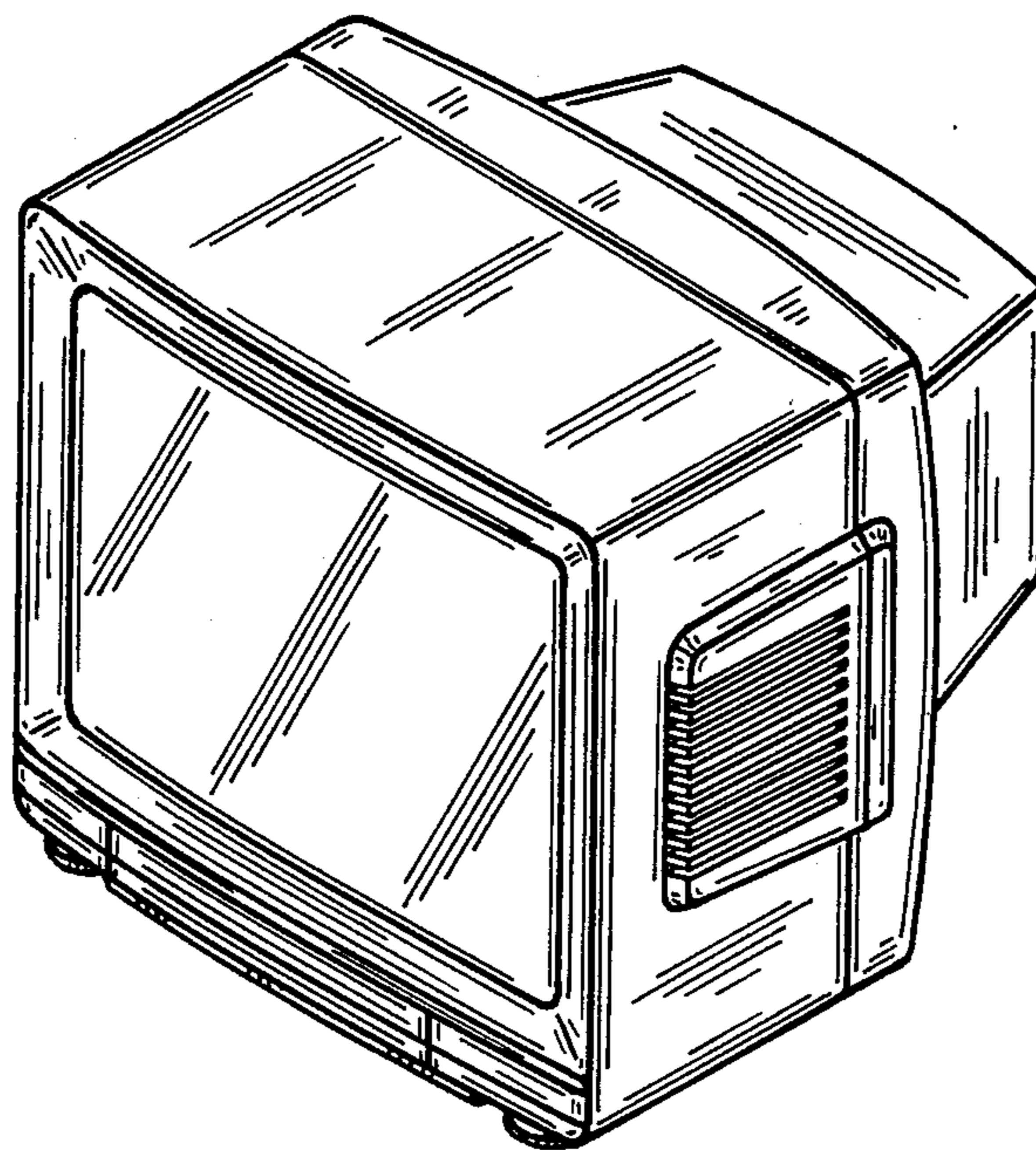
Primary Examiner—Bernard Ansher
Assistant Examiner—Theodore M. Shooman
Attorney, Agent, or Firm—Flehr, Hohbach, Test, Albritton & Herbert

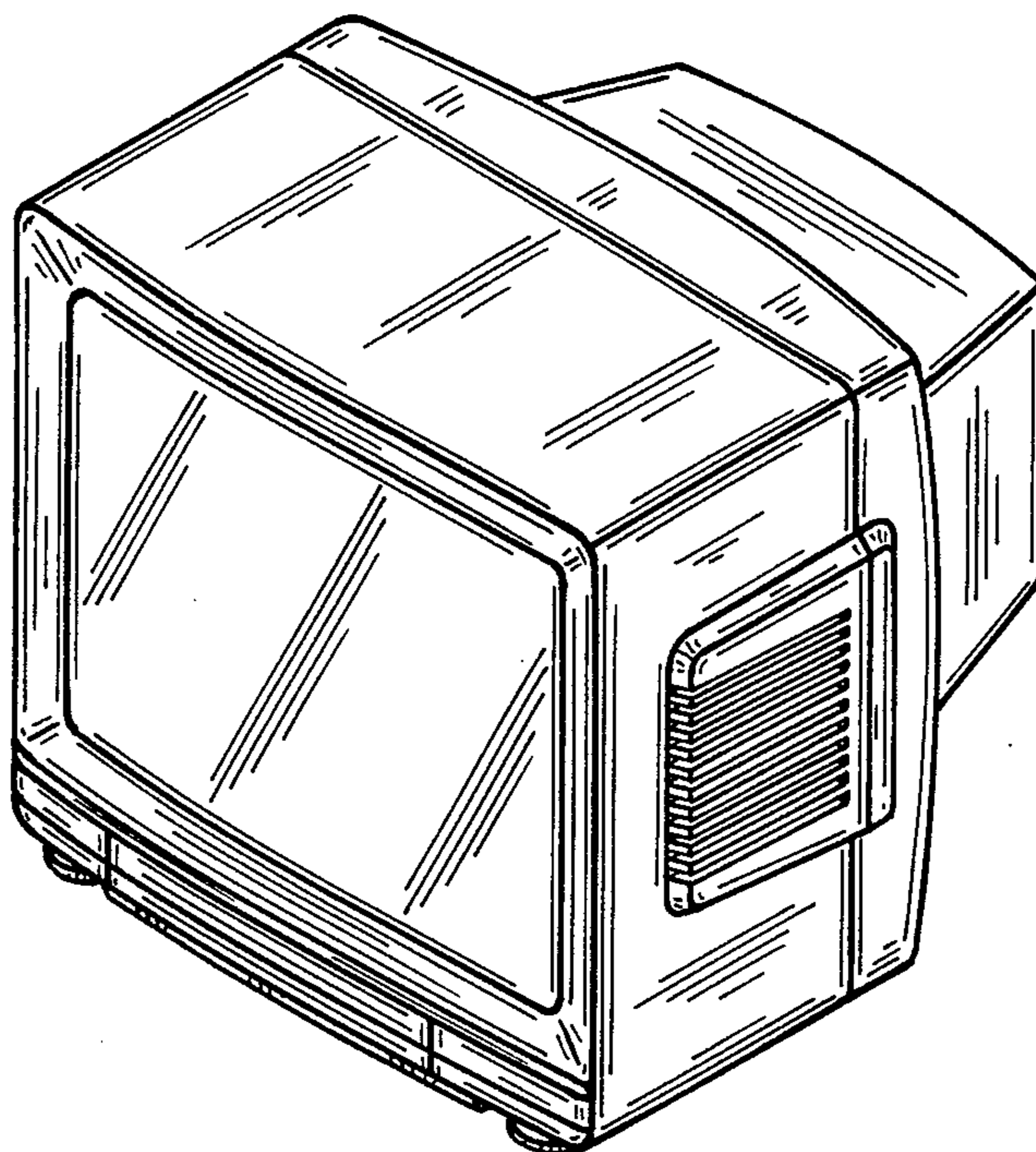
[57] **CLAIM**

The ornamental design for a television set, shown.

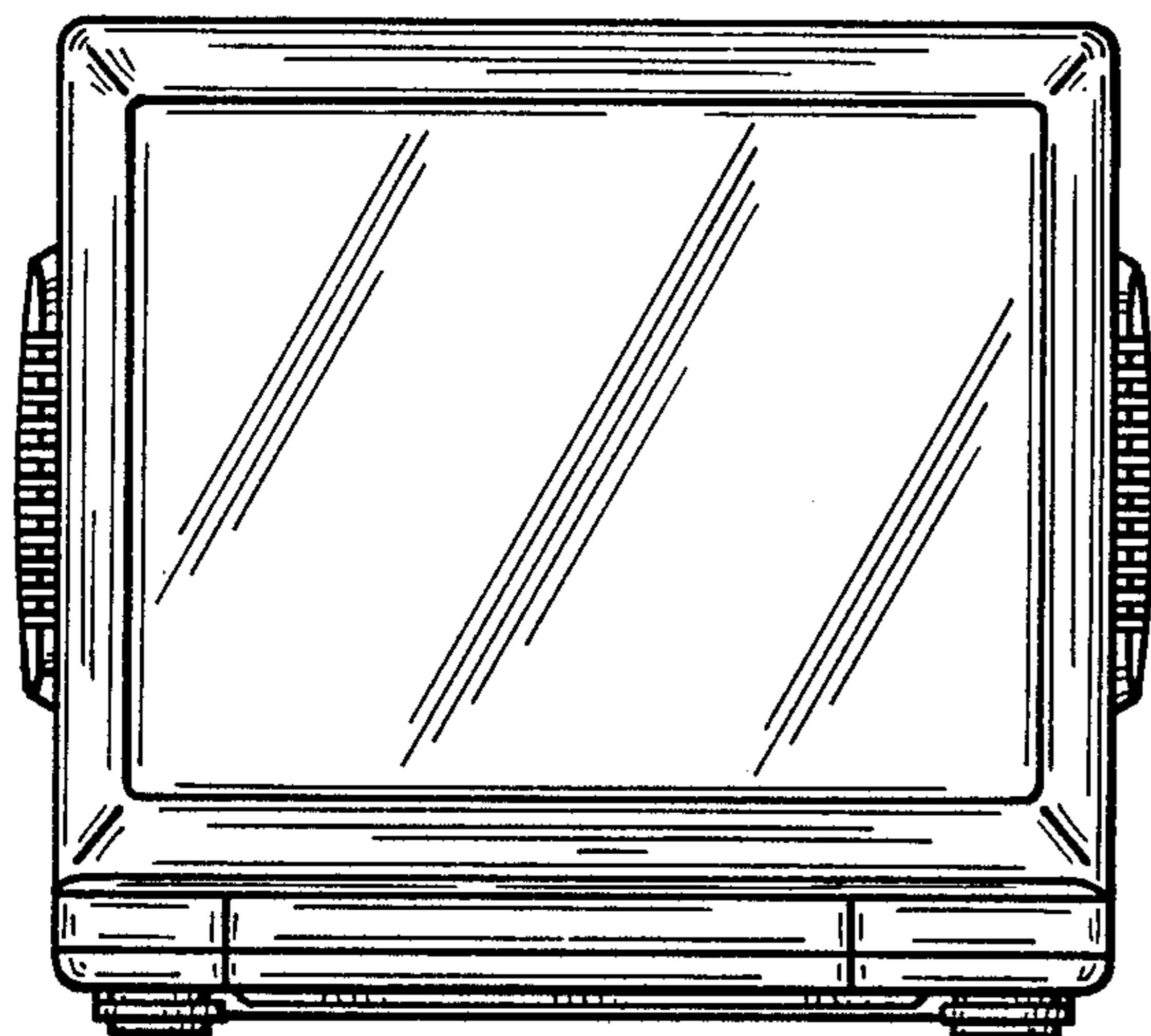
DESCRIPTION

FIG. 1 is a top, front and right side perspective view of a television set showing our new design; FIG. 2 is a front elevational view thereof; FIG. 3 is a rear elevational view thereof; FIG. 4 is a top plan view thereof; FIG. 5 is a bottom plan view thereof; FIG. 6 is a right side elevational view thereof; and FIG. 7 is a left side elevational view thereof.

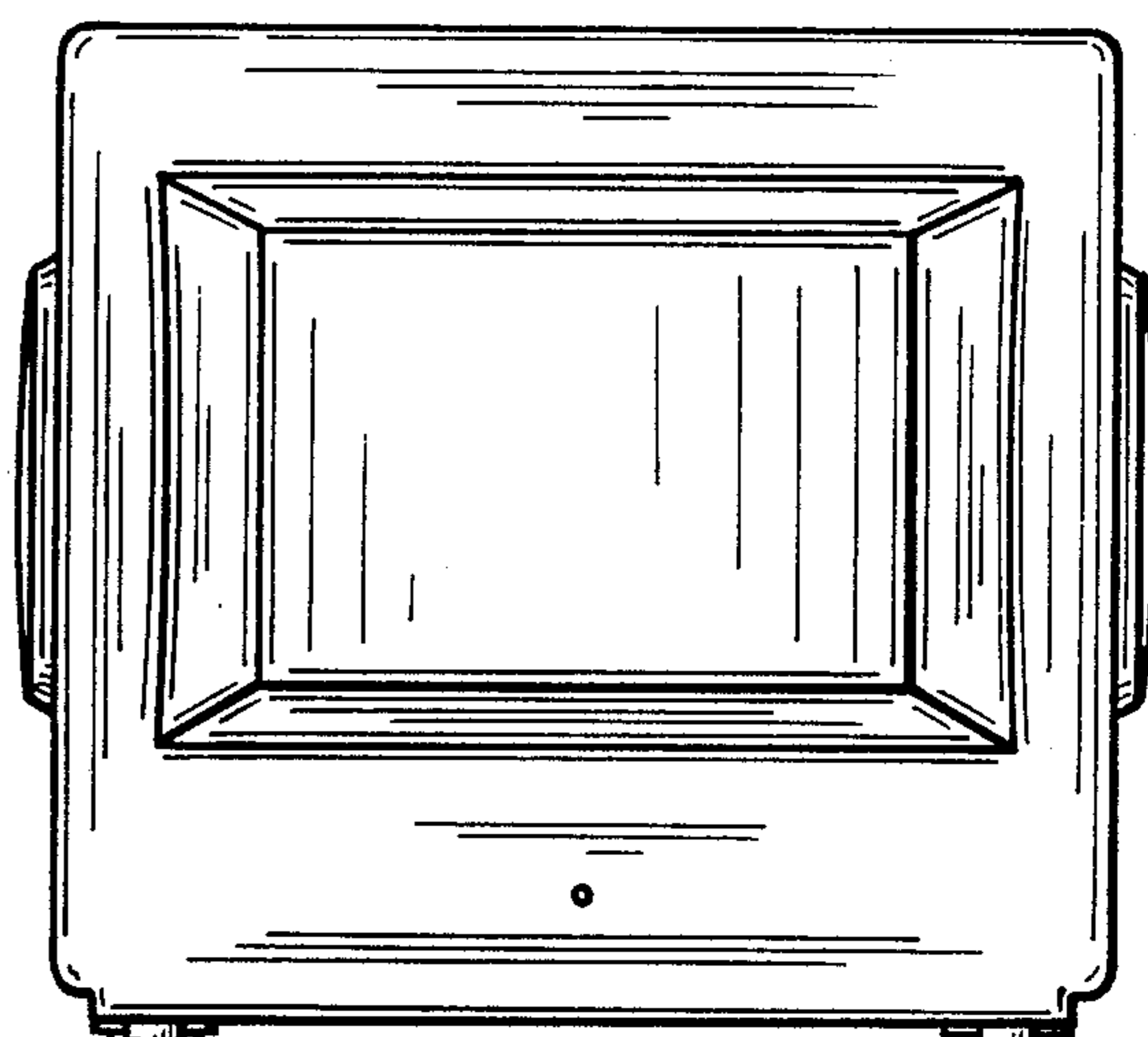




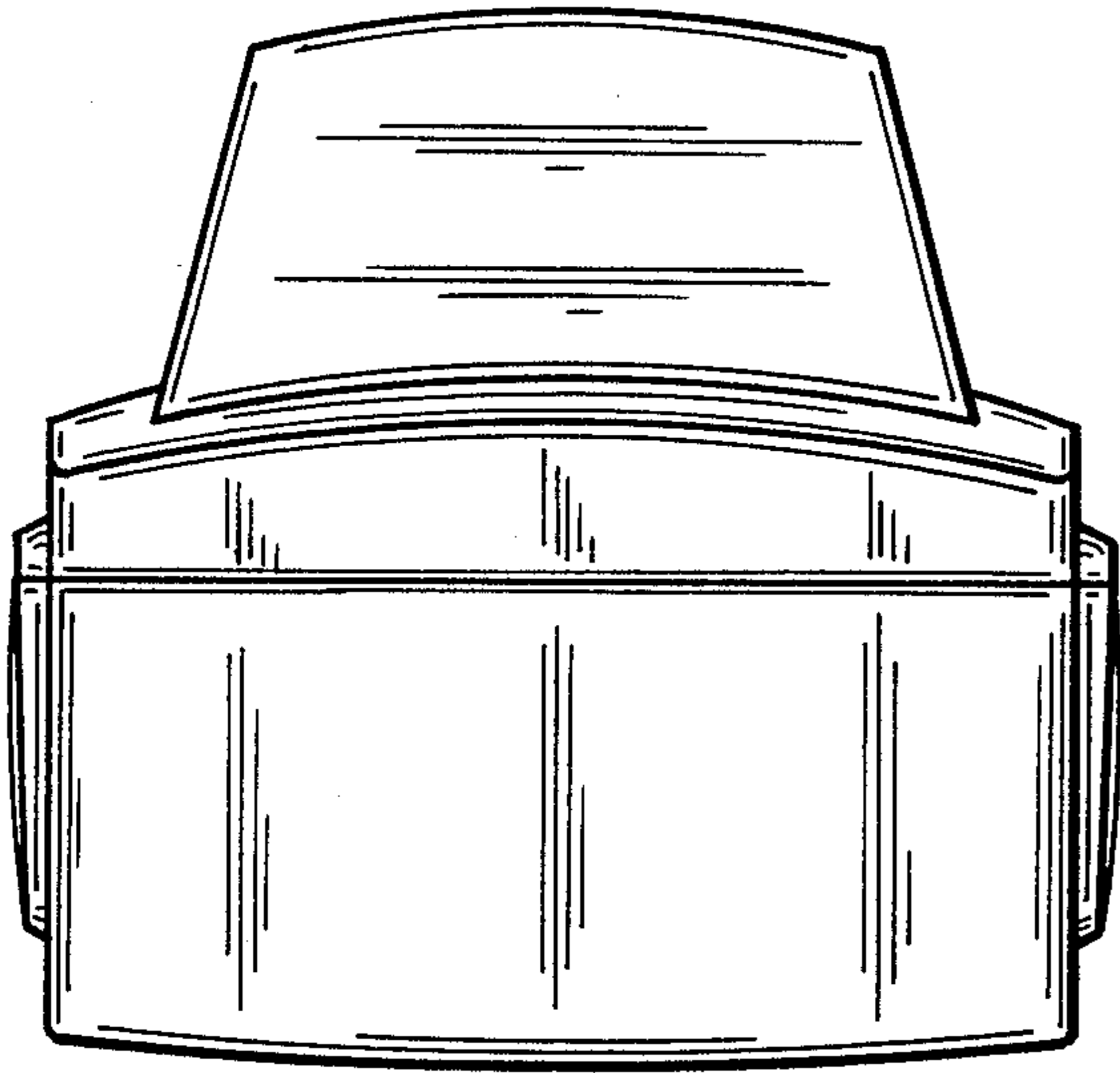
FIG_1



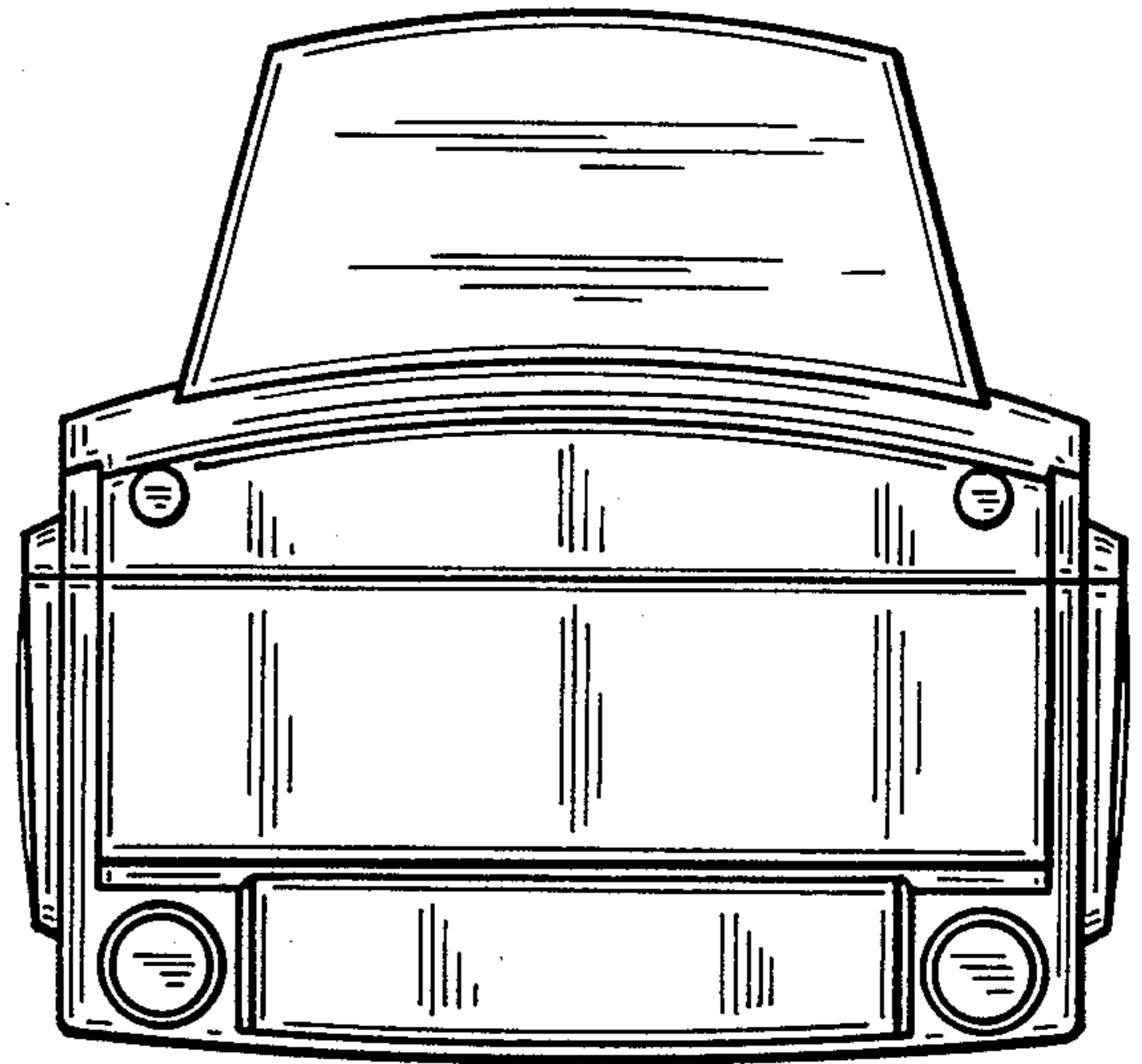
FIG_2



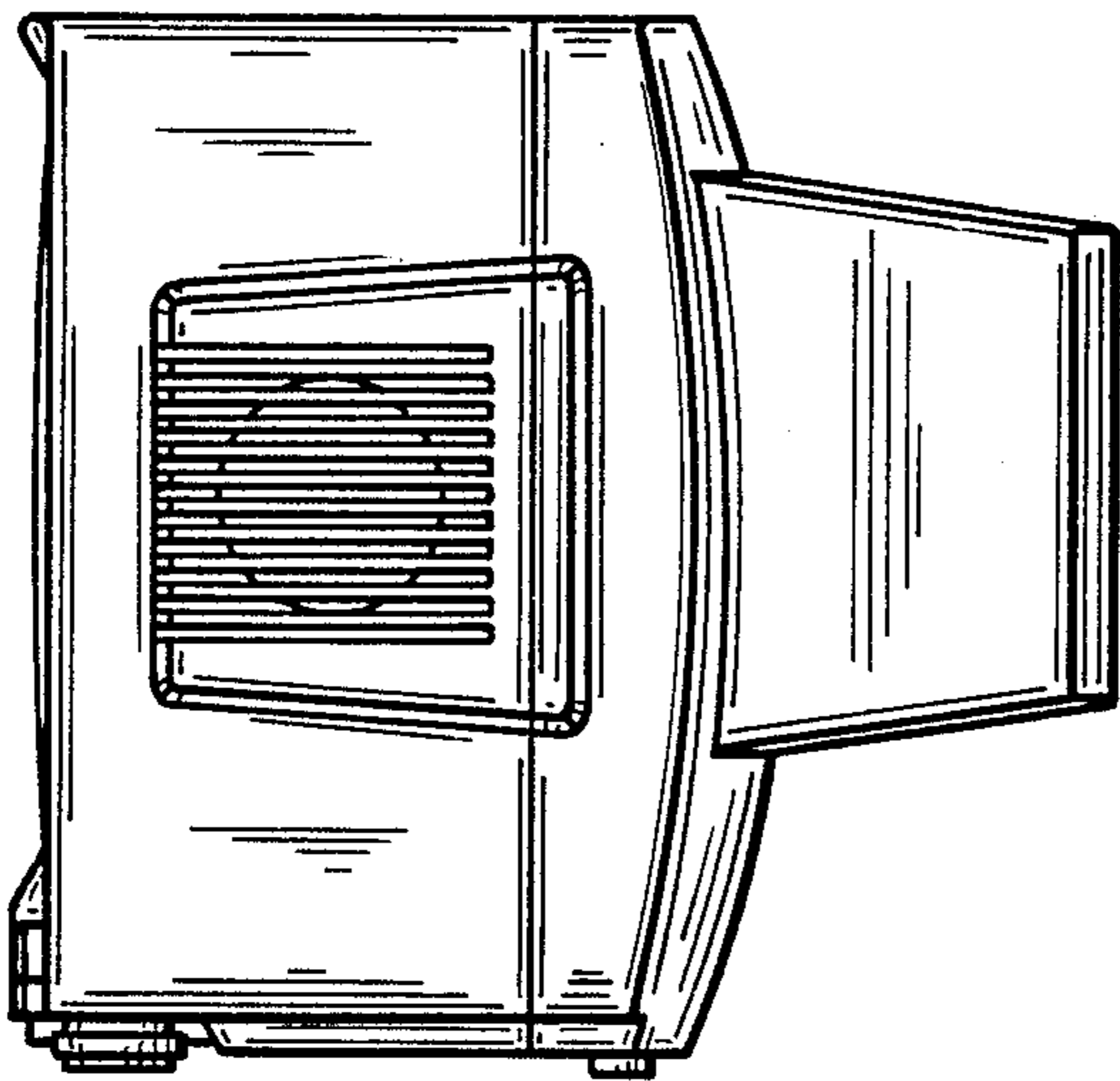
FIG_3



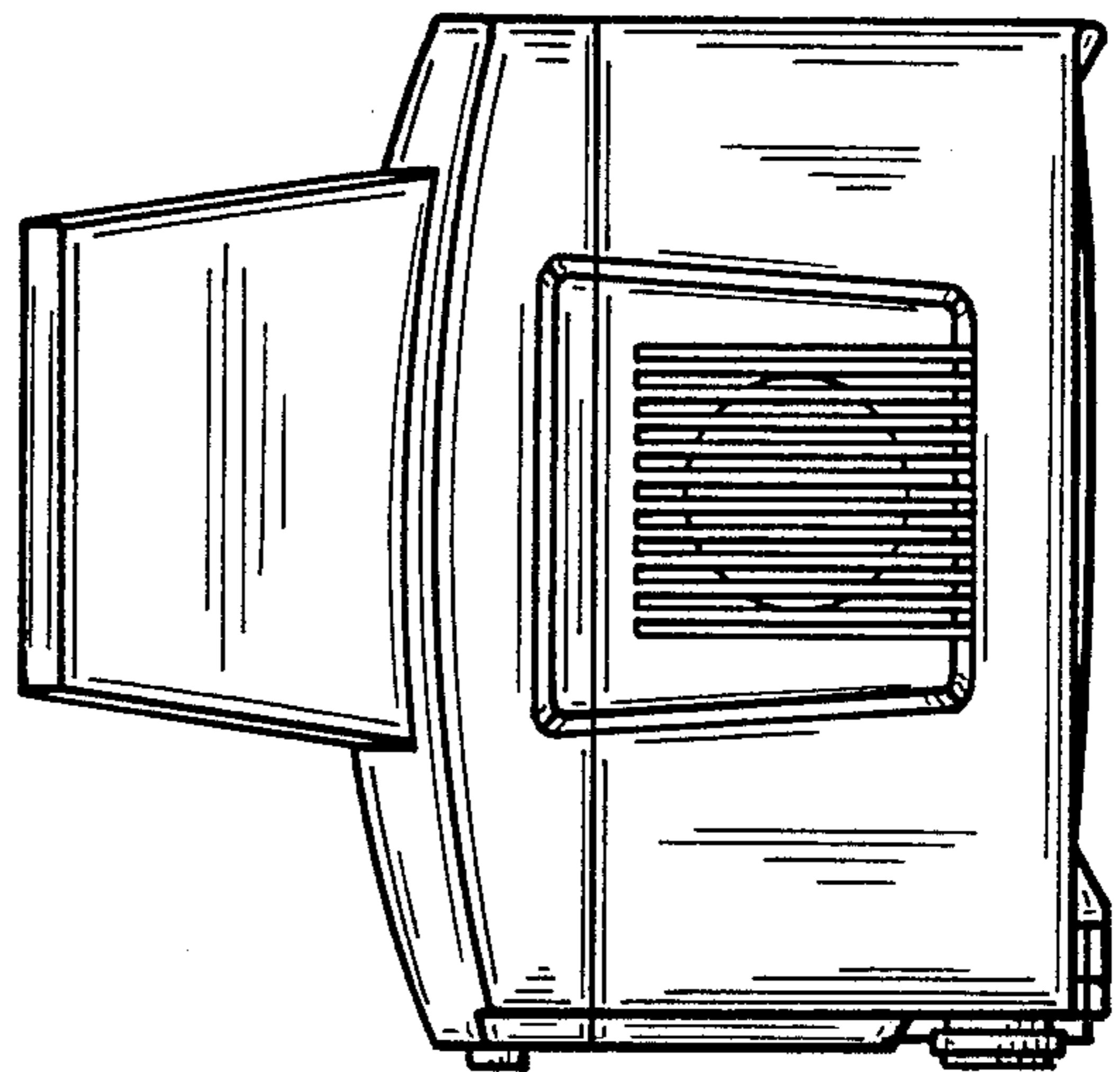
FIG_4



FIG_5



FIG_6



FIG_7