

United States Patent [19]

Sottsass

[11] Patent Number: **Des. 308,362**

[45] Date of Patent: **** Jun. 5, 1990**

[54] **DISPLAY**

[75] Inventor: **Ettore Sottsass, Milan, Italy**

[73] Assignee: **Ing. C. Olivetti & C., S.p.A., Ivrea, Italy**

[**] Term: **14 Years**

[21] Appl. No.: **129,083**

[22] Filed: **Dec. 7, 1987**

[30] **Foreign Application Priority Data**

Jun. 15, 1987 [IT] Italy 53418/87[U]

[52] U.S. Cl. **D14/113**

[58] Field of Search D14/100, 102, 105, 106, D14/107, 113, 114, 115; 340/700, 706, 711, 712; 341/22, 23; 358/248, 249, 254; 312/7.2, 208; 248/122, 125, 127, 133, 149, 161, 178, 179, 183, 349, 346, 371

[56] **References Cited**

U.S. PATENT DOCUMENTS

D. 276,236 11/1984 Akiyama D14/113

D. 287,013	12/1986	Satherley	D14/106
D. 288,567	3/1987	Moggridge	D14/106
D. 290,704	7/1987	Schaum et al.	D14/113
D. 299,347	1/1989	Landry et al.	D14/113
4,645,153	2/1987	Granzow et al.	248/178

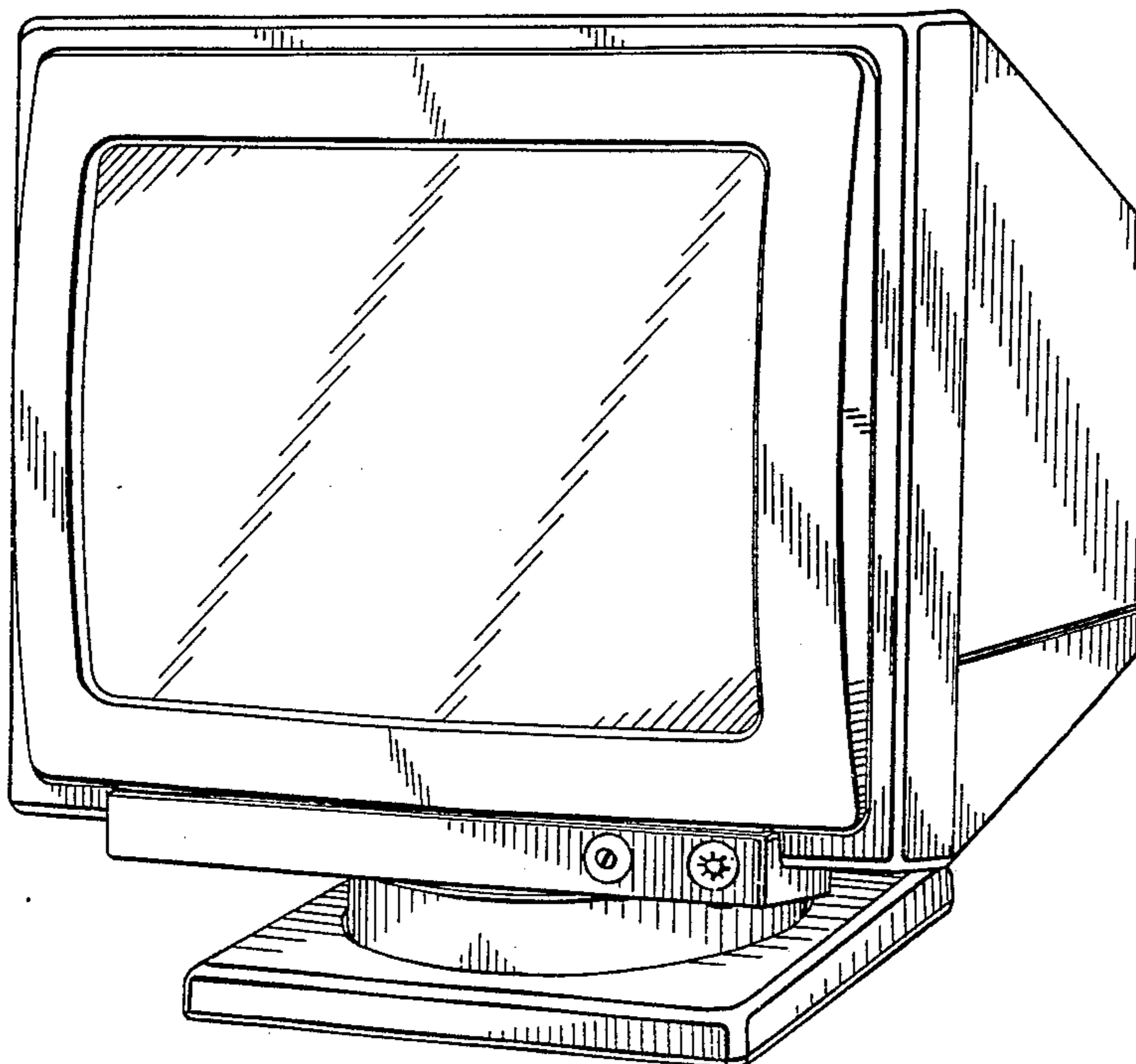
Primary Examiner—Susan J. Lucas
Assistant Examiner—Freda S. Nunn
Attorney, Agent, or Firm—Banner, Birch, McKie & Beckett

[57] CLAIM

The ornamental design for a display, as shown and described.

DESCRIPTION

FIG. 1 is a front and right side perspective view of a display showing my new design;
FIG. 2 is a rear and left side perspective view thereof;
FIG. 3 is a left side elevational view thereof;
FIG. 4 is a top plan view thereof;
FIG. 5 is a bottom plan view thereof;
FIG. 6 is a rear elevational view thereof on an enlarged scale;
FIG. 7 is a right side elevational view thereof.



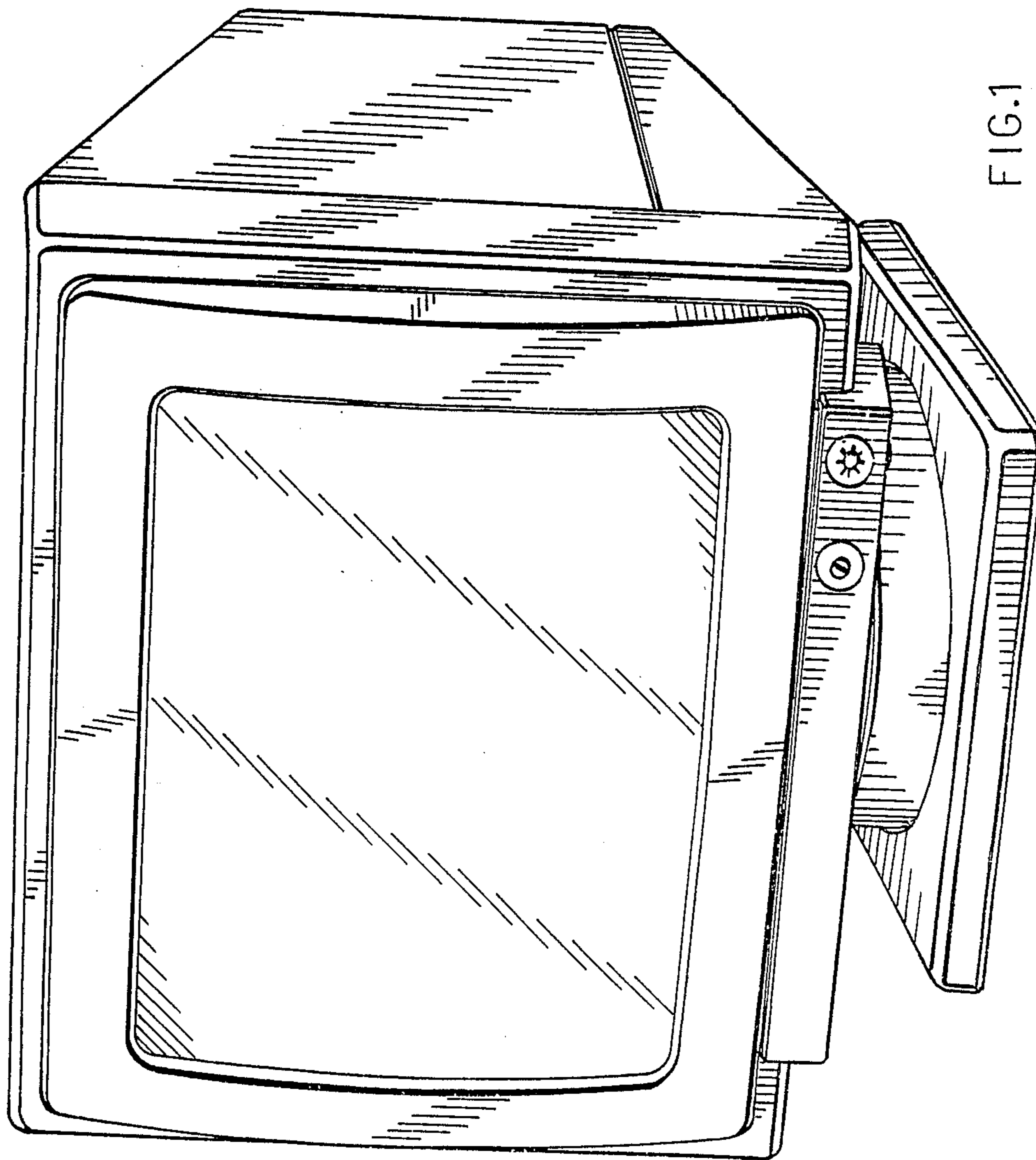


FIG. 1

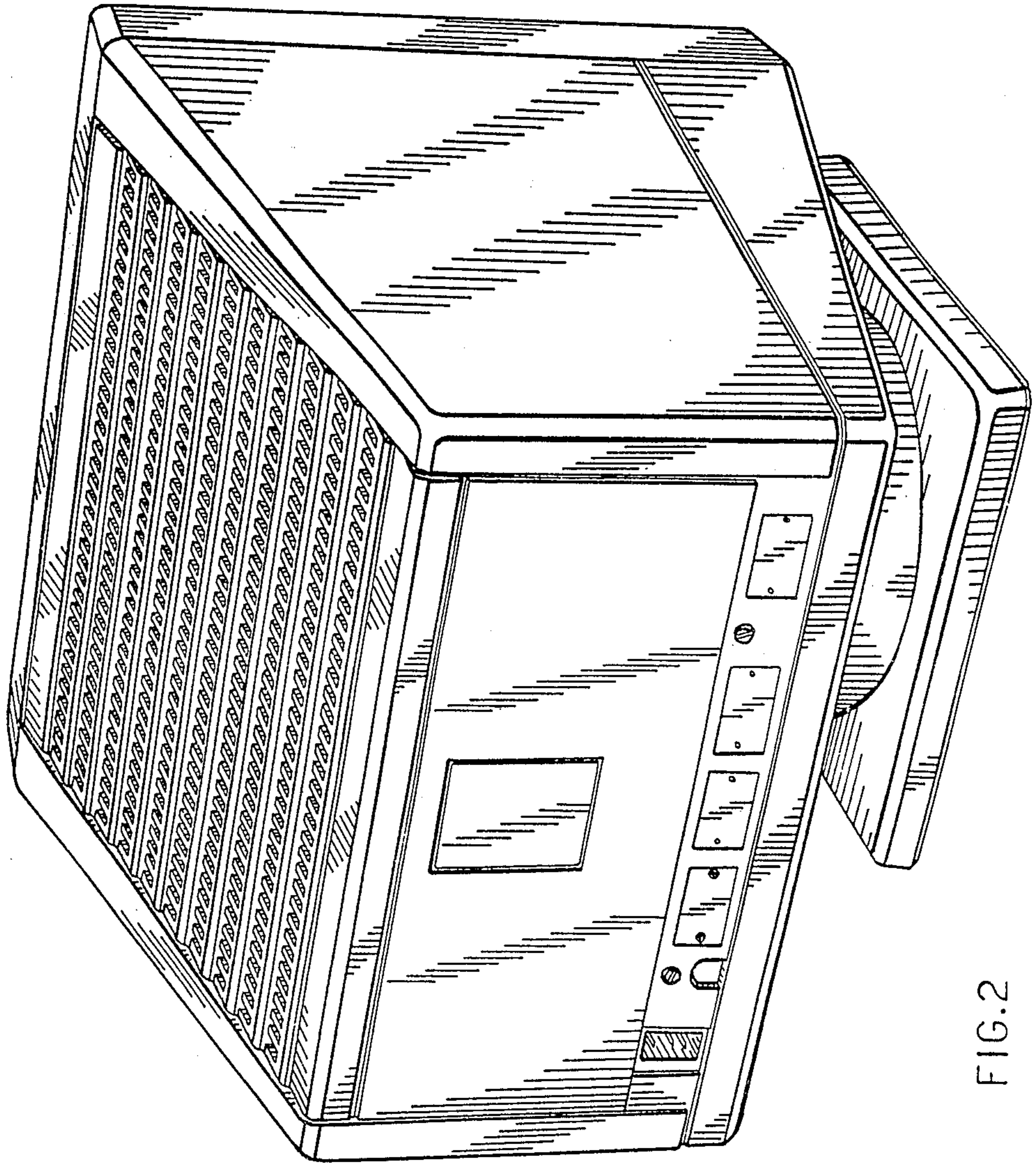


FIG.2

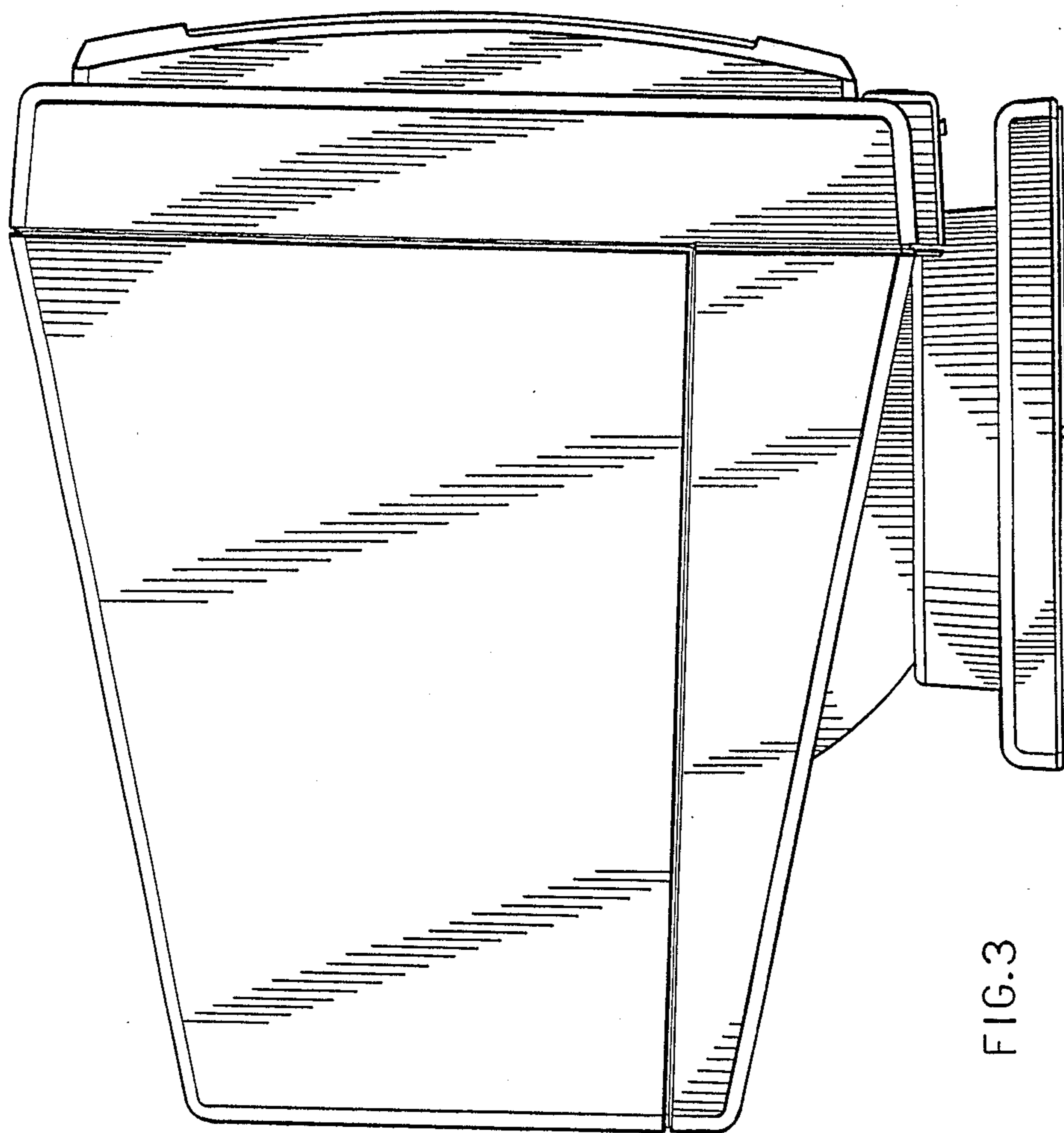


FIG. 3

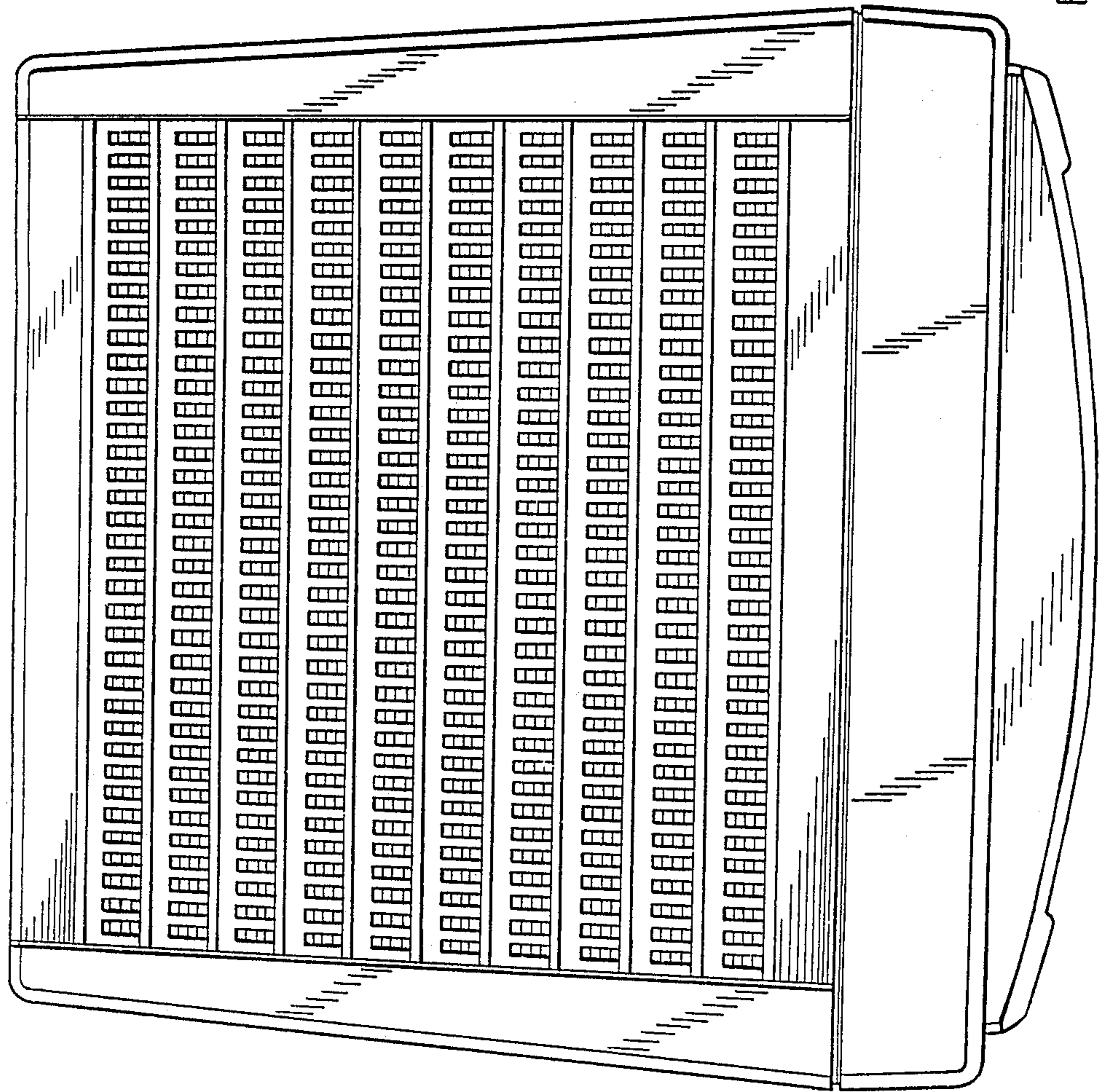


FIG.4

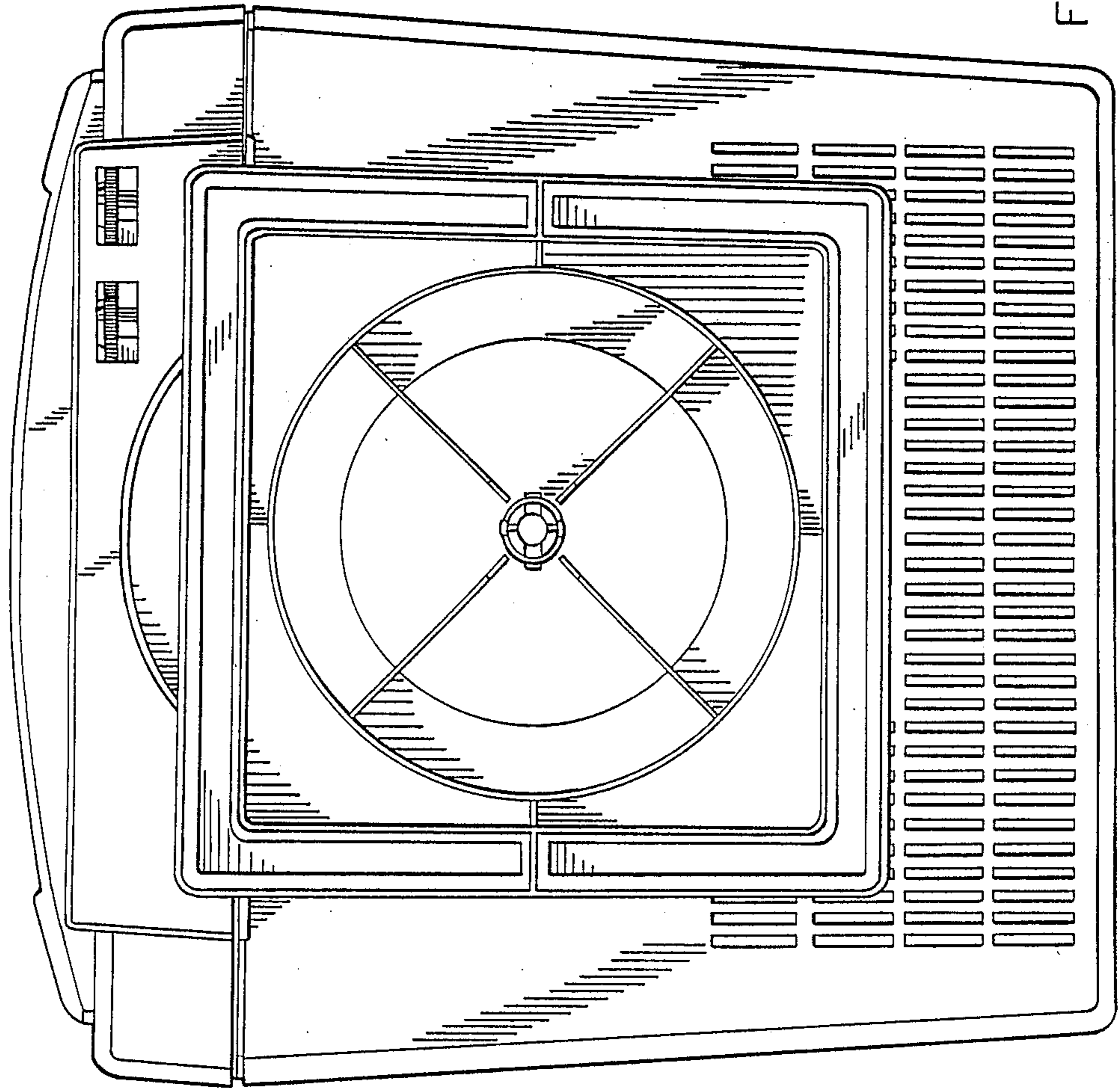


FIG.5

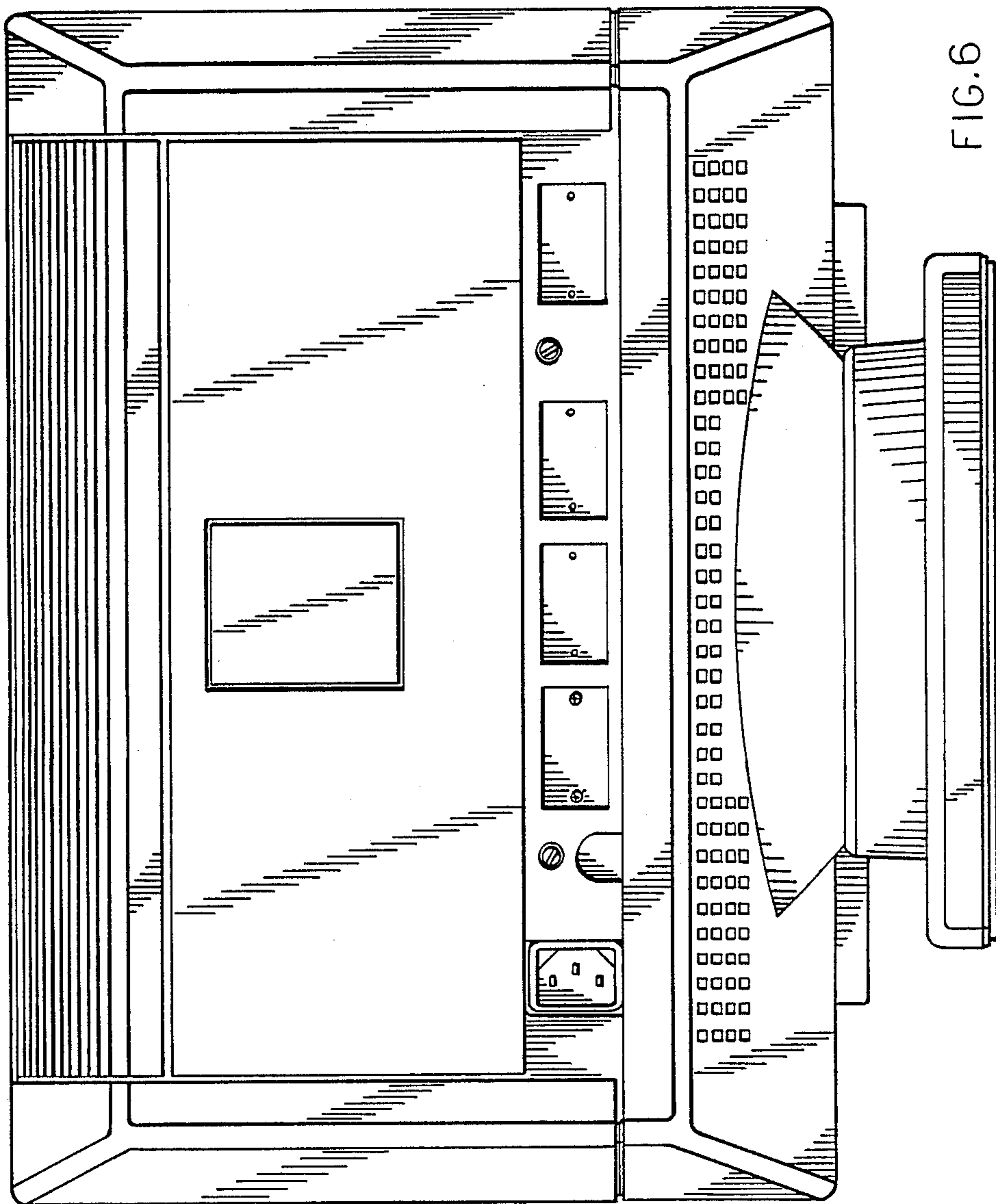


FIG. 6

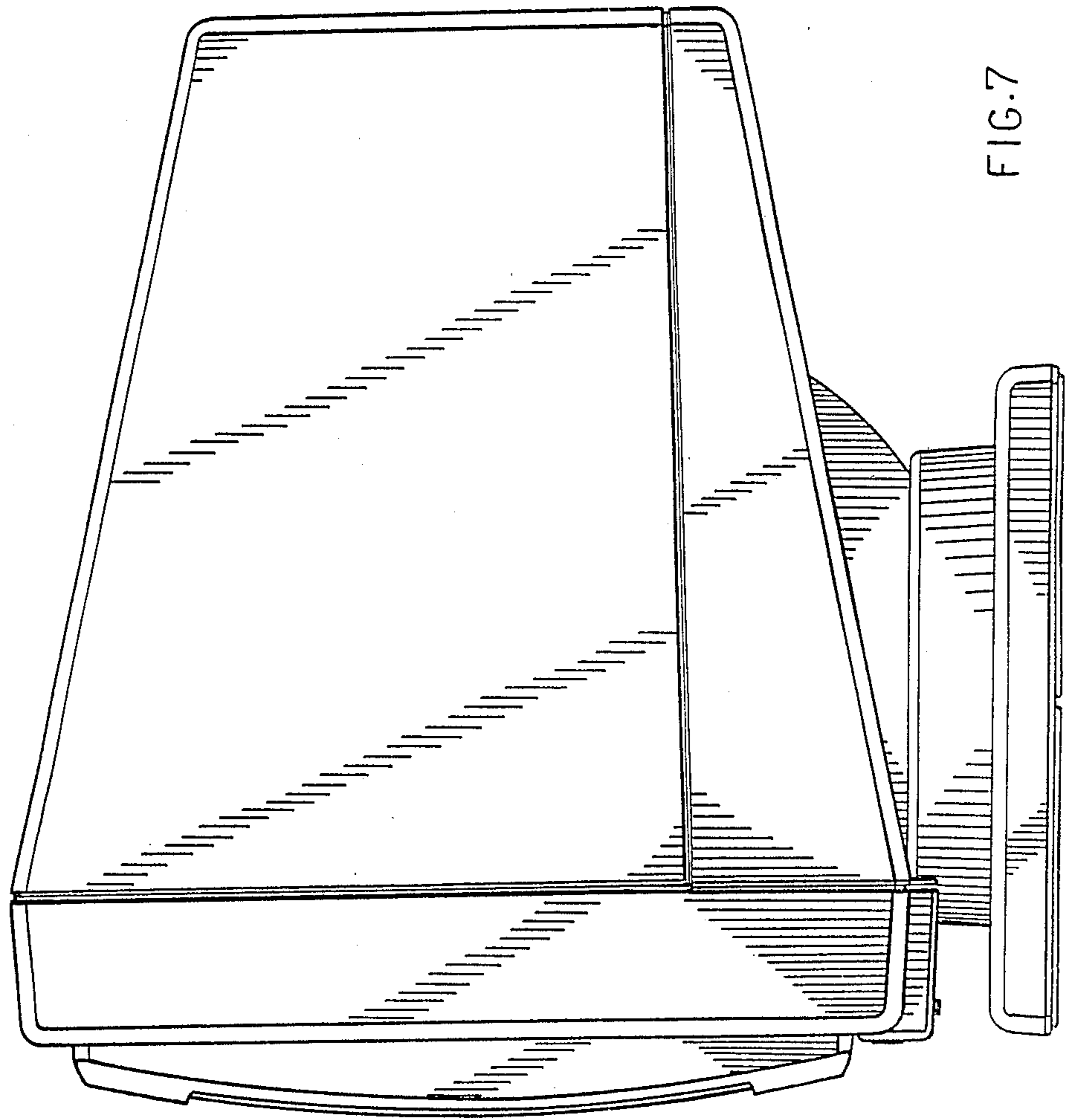


FIG. 7