

[54] MOTORCYCLE HITCH

[76] Inventor: Marshall T. Allen, 7344 W. Peoria Ave., Space #1, Peoria, Ariz. 85345

[**] Term: 14 Years

[21] Appl. No.: 177,027

[22] Filed: Apr. 4, 1988

[52] U.S. Cl. D12/162

[58] Field of Search D12/162; 280/292

[56] References Cited

U.S. PATENT DOCUMENTS

- D. 273,486 4/1984 O'Rourke D12/162
- D. 296,886 7/1988 Young, Jr. D12/162
- D. 298,022 10/1988 O'Rourke D12/162

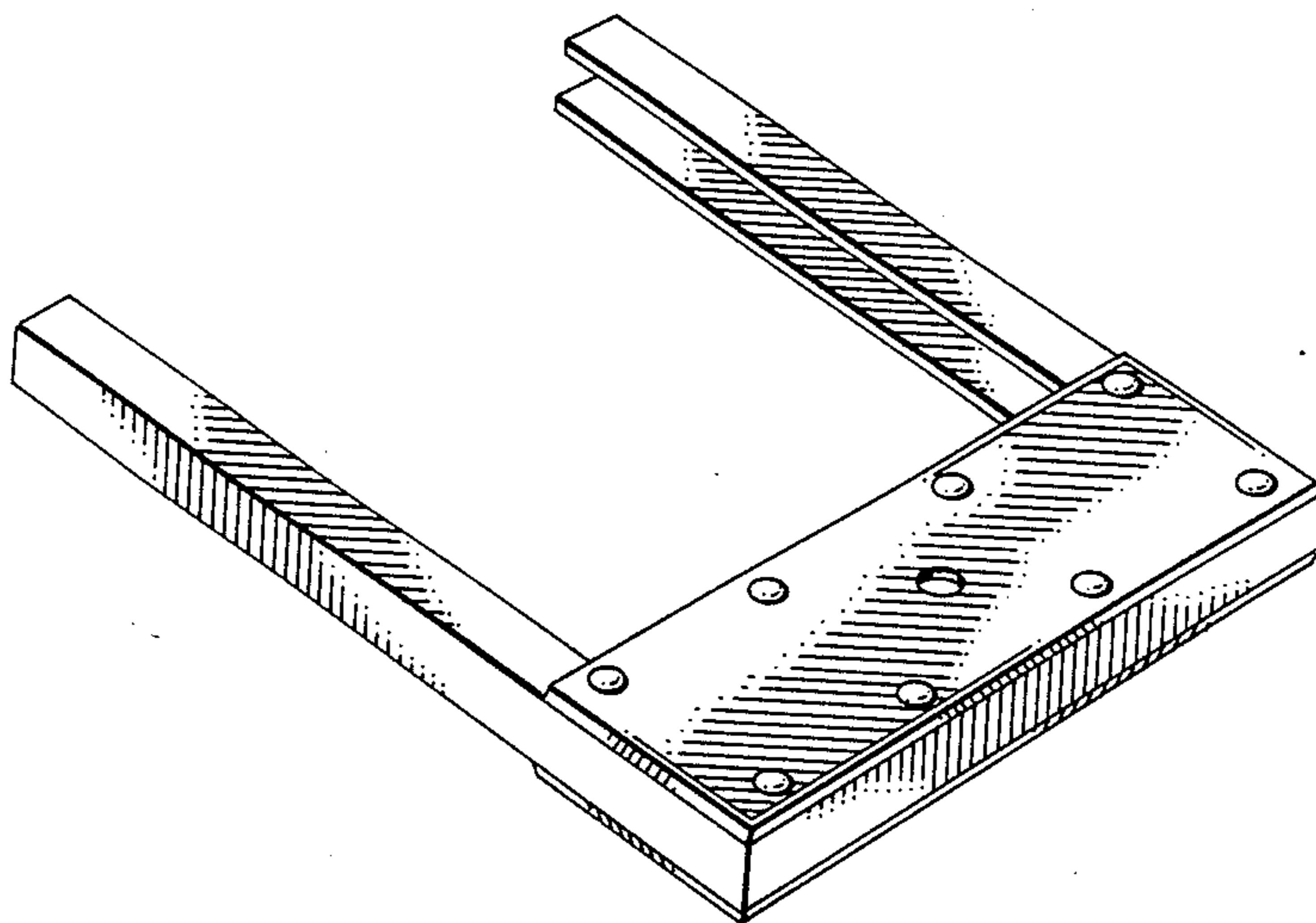
Primary Examiner—James M. Gandy
Assistant Examiner—Melody Brown
Attorney, Agent, or Firm—Louise S. Heim

[57] CLAIM

The ornamental design for a motorcycle hitch, as shown.

DESCRIPTION

FIG. 1 is an isometric view of a motorcycle hitch showing my new design;
FIG. 2 is a rear elevation thereof;
FIG. 3 is a front elevation thereof;
FIG. 4 is a side elevational view thereof;
FIG. 5 is a top plan view thereof;
FIG. 6 is a bottom plan view thereof.



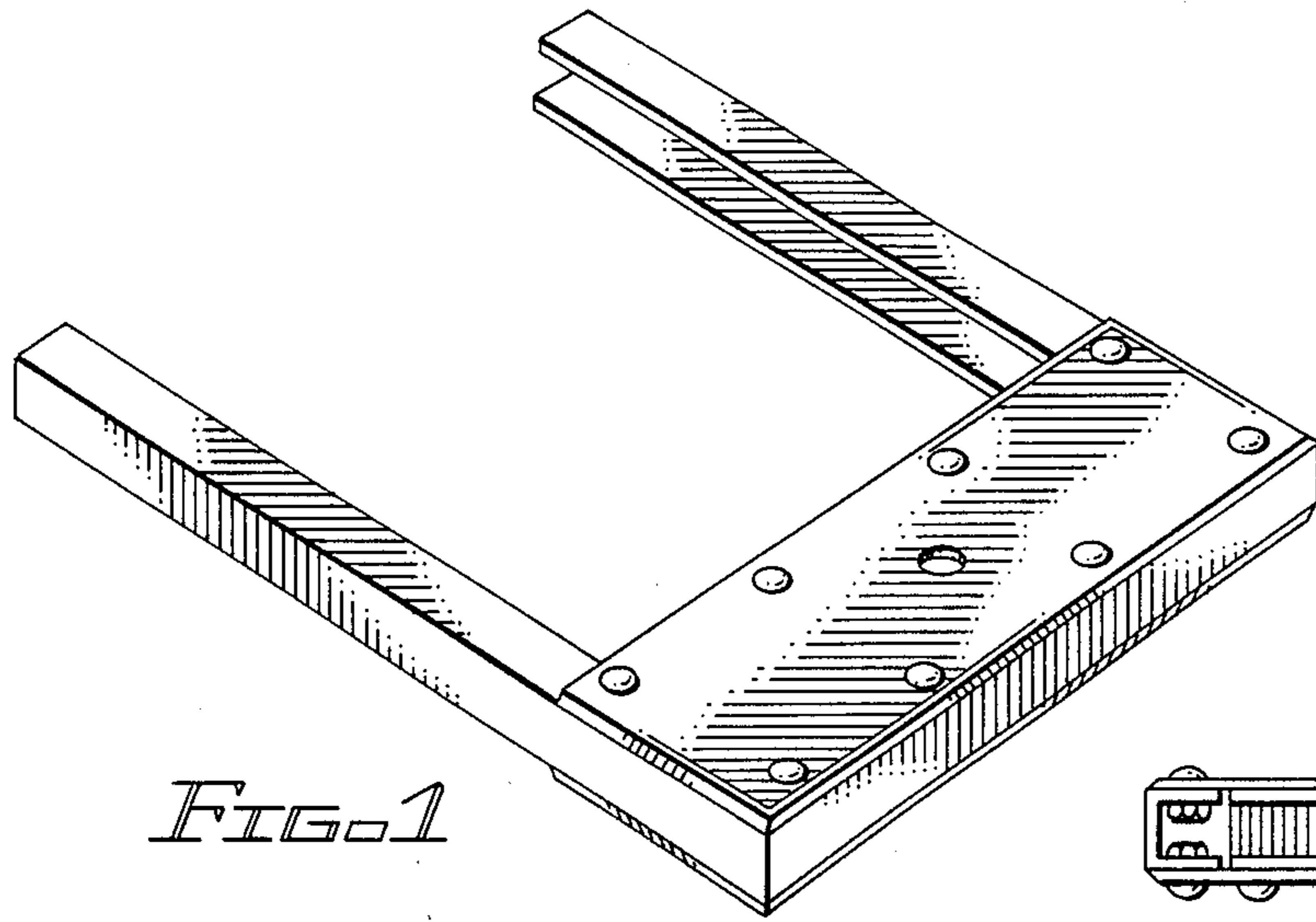


FIG. 1

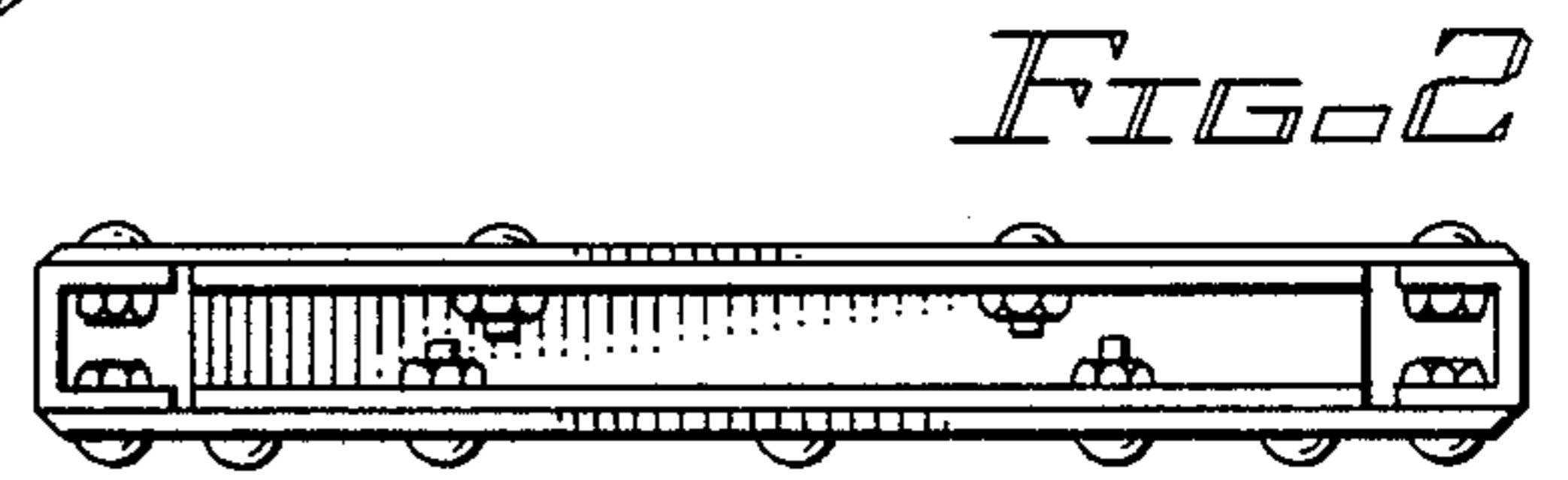


FIG. 2

FIG. 3



FIG. 4

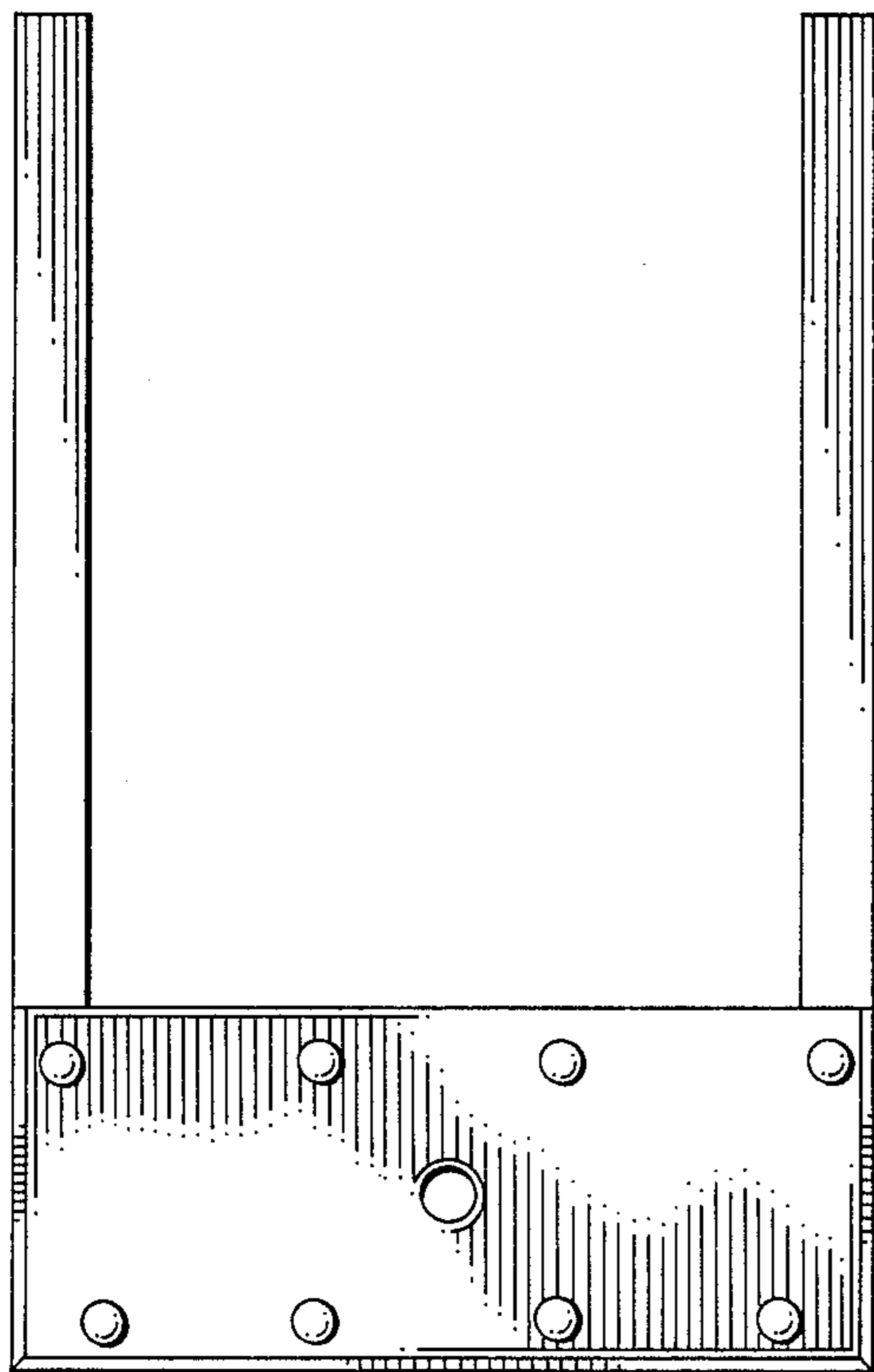


FIG. 5

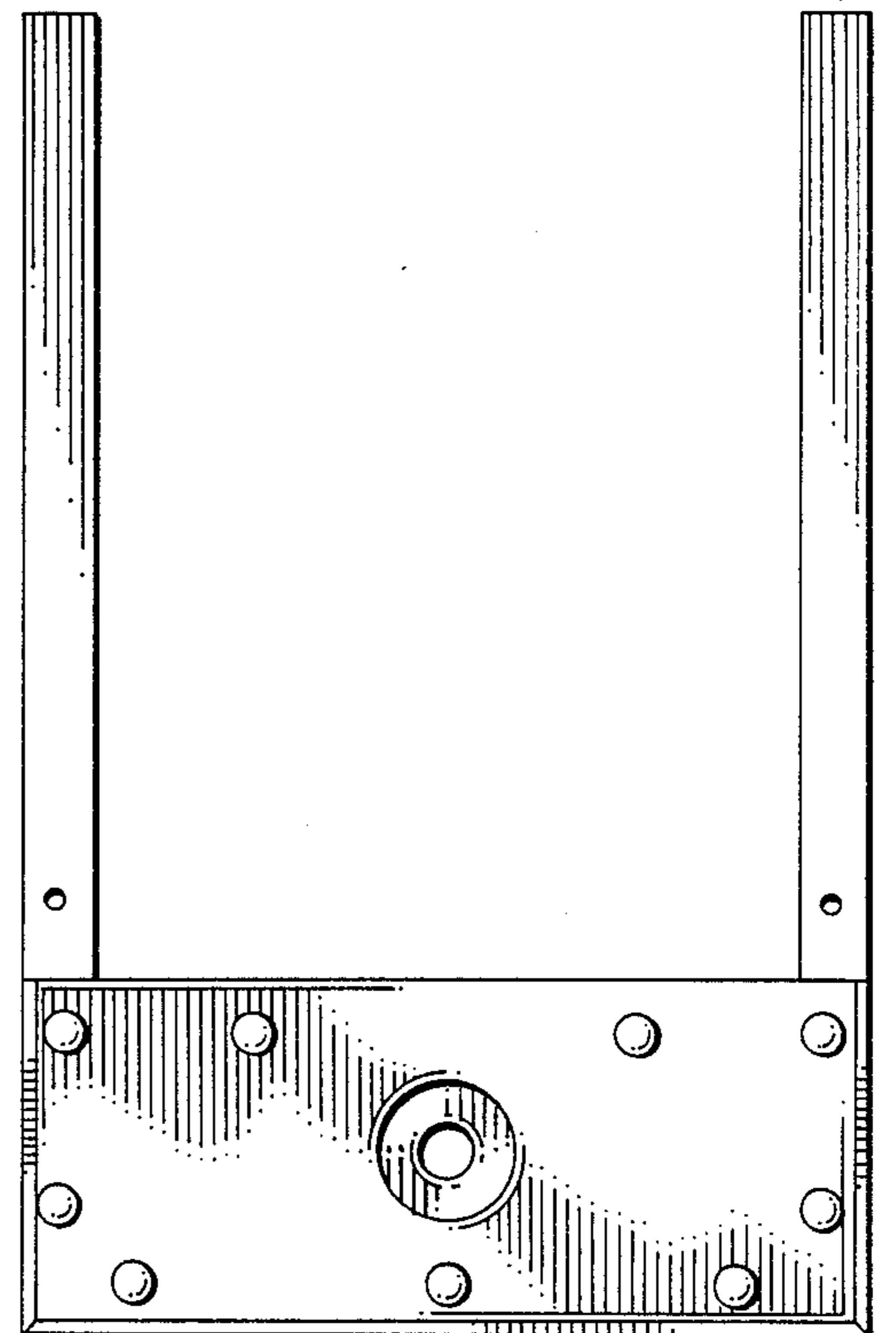


FIG. 6