

[54] ULTRASONIC OBJECT DETECTION DEVICE

[75] Inventors: Earl L. Bryenton; Eric Hillmer, both of Ottawa; Robert J. Arnott, Carleton Place, all of Canada

[73] Assignee: E. L. Bryenton & Associates, Inc., Ontario, Canada

[**] Term: 14 Years

[21] Appl. No.: 944,825

[22] Filed: Dec. 22, 1986

[52] U.S. Cl. D10/106

[58] Field of Search D13/12, 40, 41, 99; D10/46, 106, 104, 118, 116; D14/218; 367/910

[56] References Cited

U.S. PATENT DOCUMENTS

D. 260,741 9/1981 Lam D10/106

D. 271,573 11/1983 Wada et al. D10/106

OTHER PUBLICATIONS

Annunciator Interface Module on p. 54 of *Electrical Consultant* May/June 1979.

Smoke and Burglar Alarm on p. 170 of *Good Housekeeping*, 2-1980.

Primary Examiner—Susan J. Lucas

Assistant Examiner—Joel Sincavage

Attorney, Agent, or Firm—Kenyon & Kenyon

[57] CLAIM

The ornamental design for an ultrasonic object detection device, as shown.

DESCRIPTION

FIG. 1 is a perspective view of an ultrasonic object detection device showing my new design.

FIG. 2 is a rear elevational view thereof.

FIG. 3 is a front elevational view thereof.

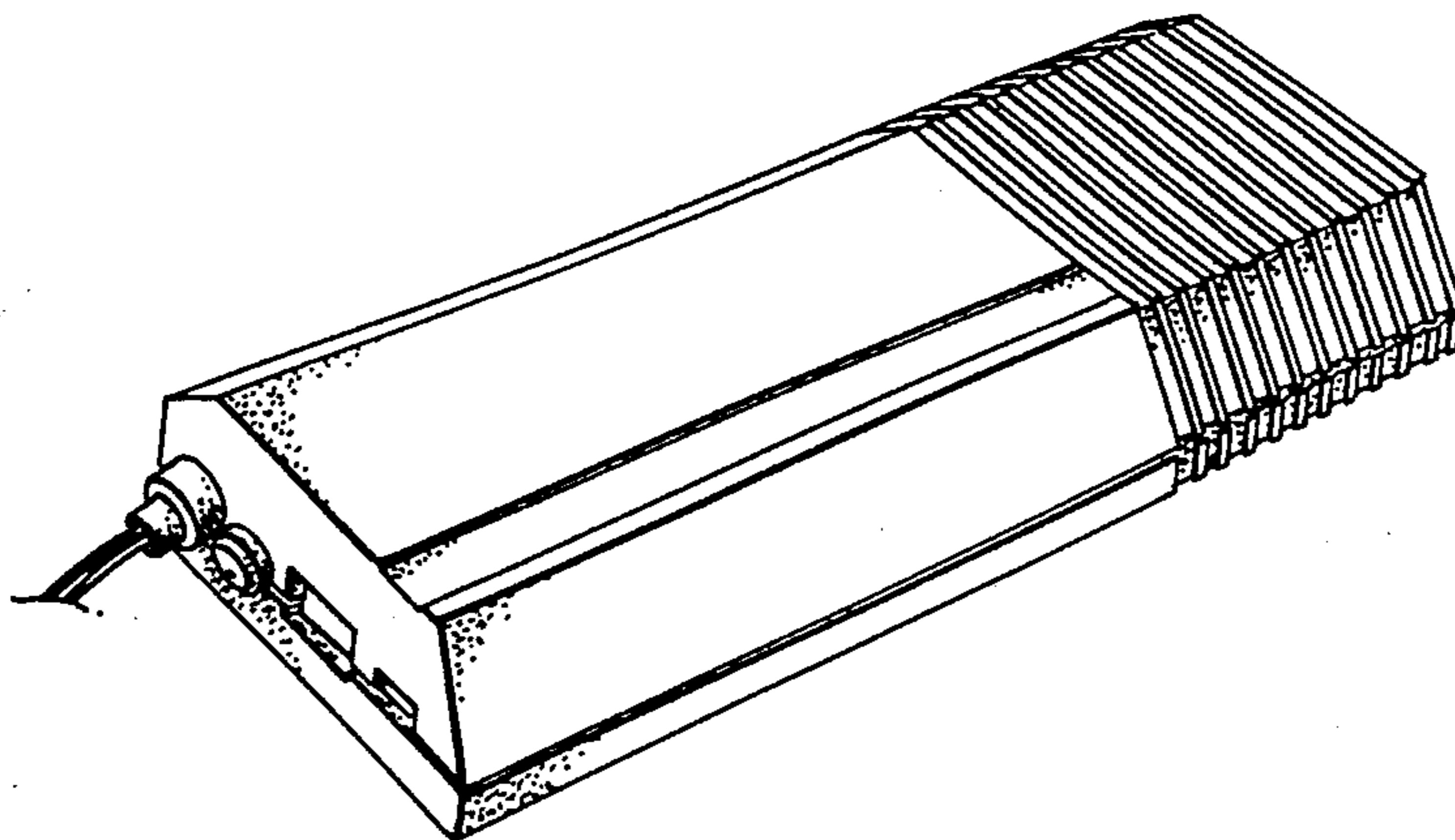
FIG. 4 is a right side elevational view thereof.

FIG. 5 is a left side elevational view thereof.

FIG. 6 is a top plan view thereof.

FIG. 7 is a bottom plan view thereof.

The termination of the wires shown extending from the front indicate wires of an indeterminate length.



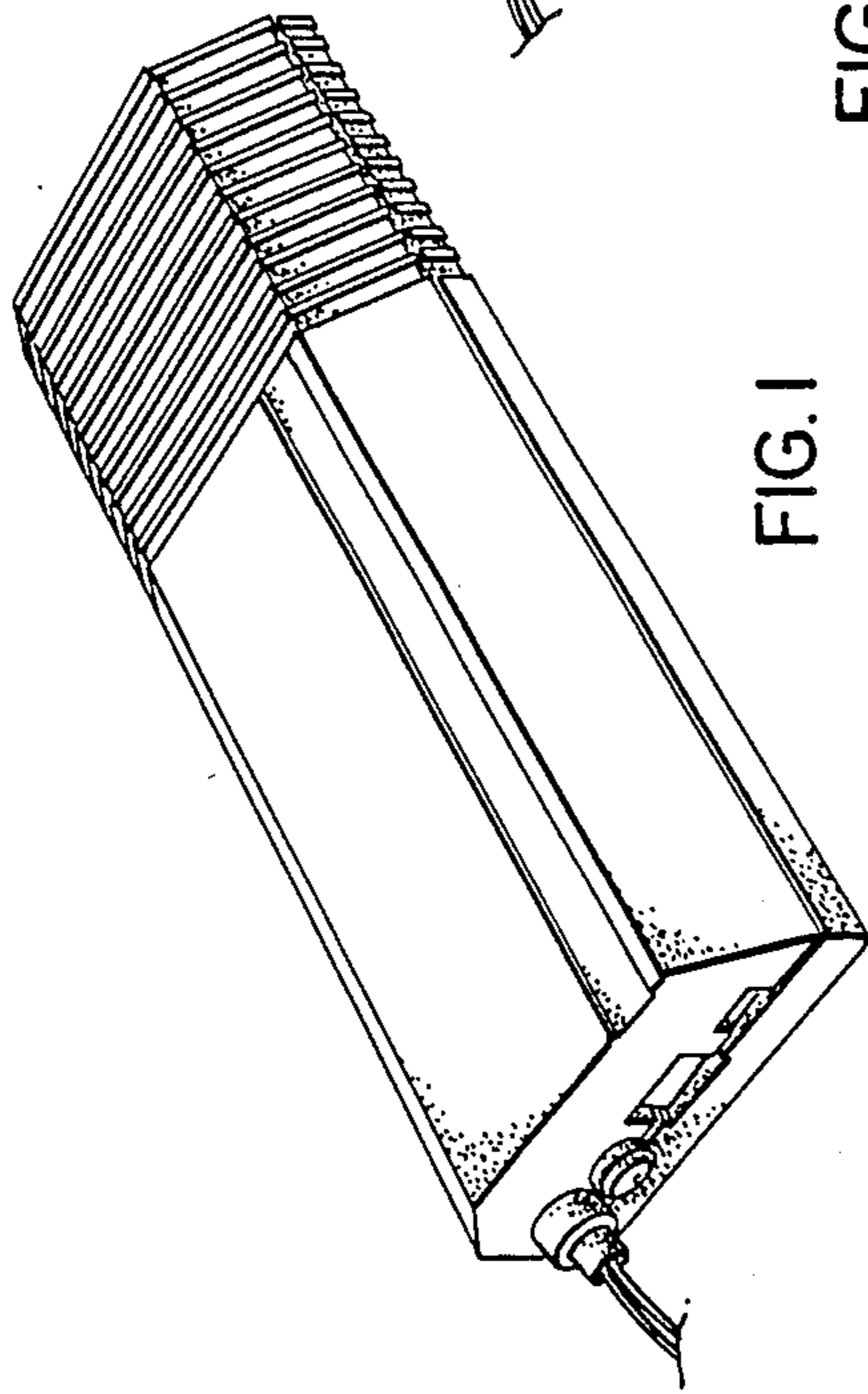


FIG. 1

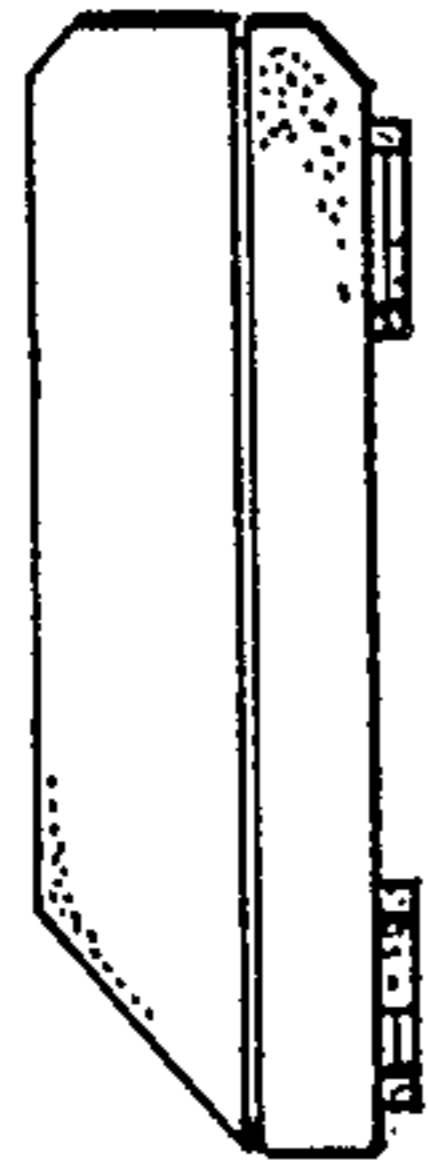


FIG. 2

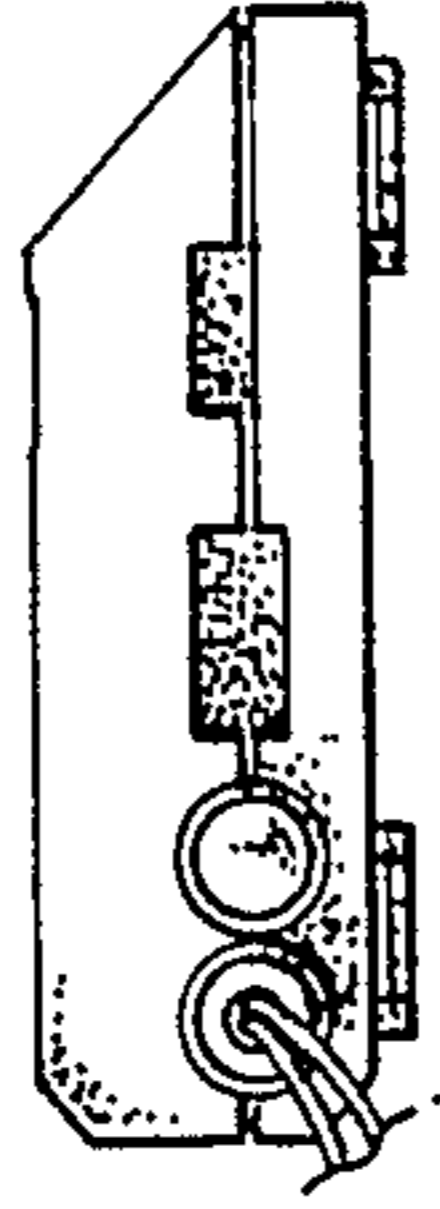


FIG. 3

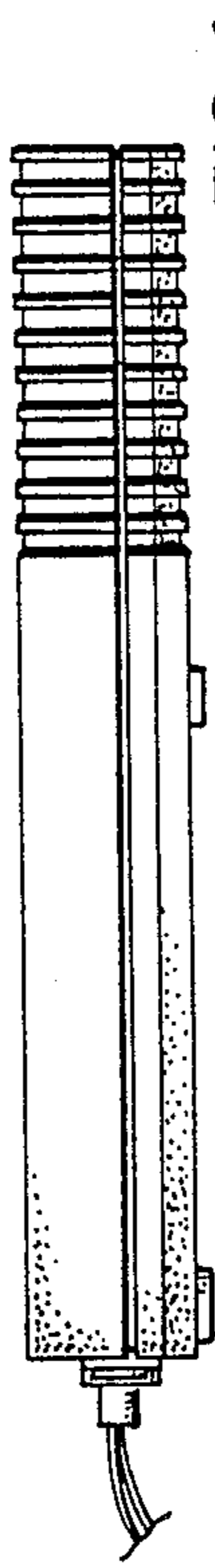


FIG. 4



FIG. 5

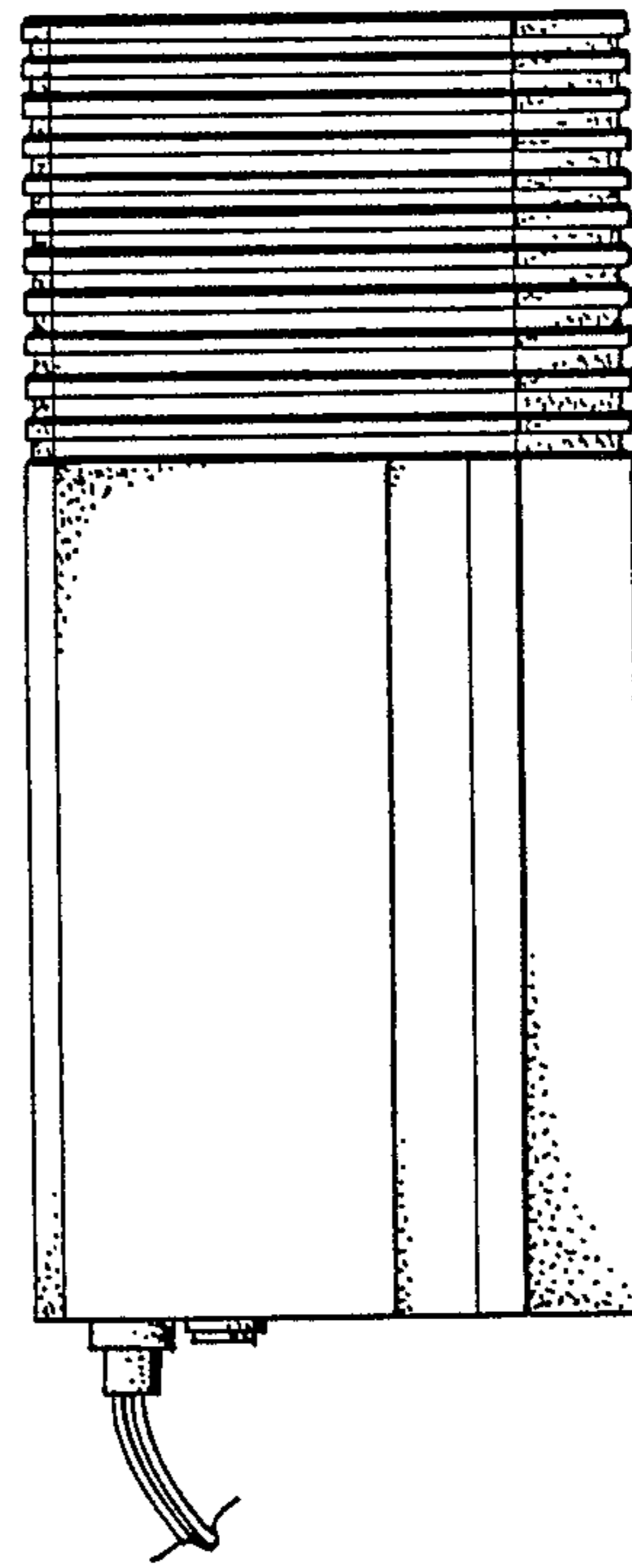


FIG. 6

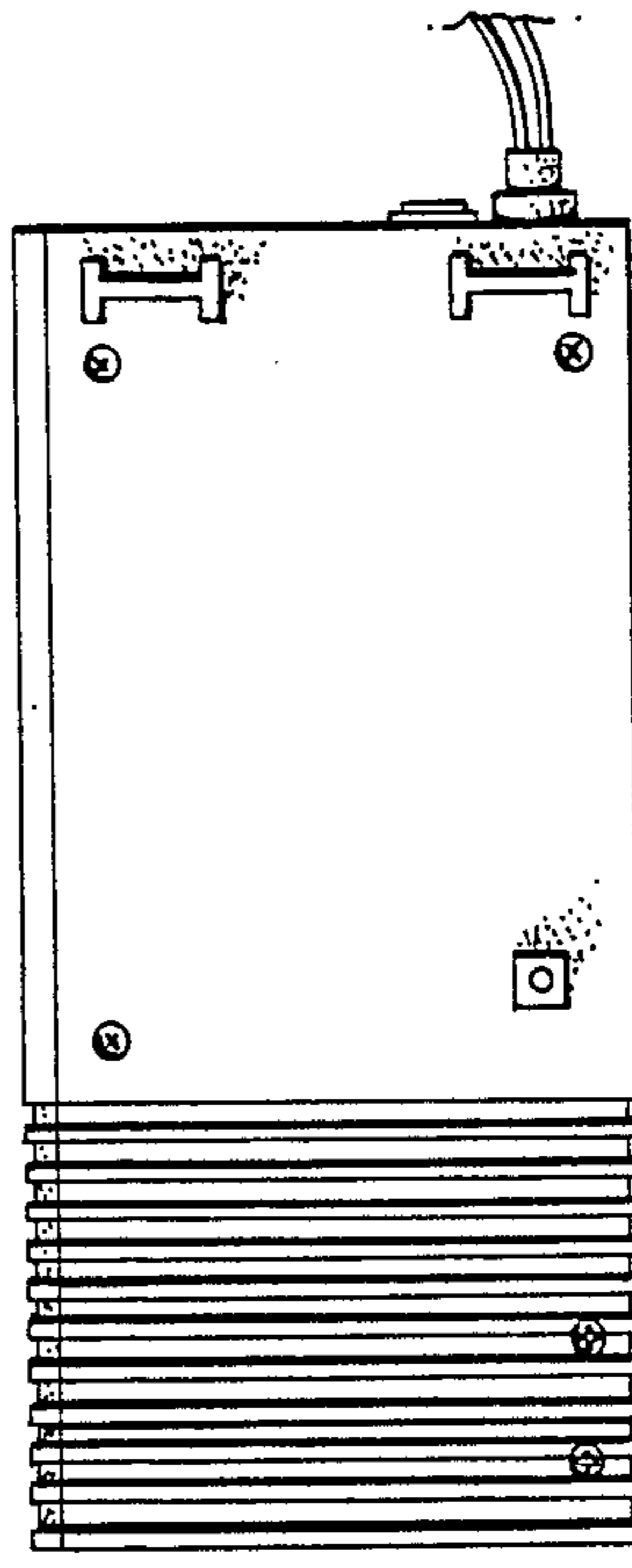


FIG. 7