

[54] BOTTLE

[75] Inventor: Richard L. Weckman, Perrysburg, Ohio

[73] Assignee: Owens-Illinois Glass Container Inc., Toledo, Ohio

[\*\*] Term: 14 Years

[21] Appl. No.: 36,817

[22] Filed: Apr. 10, 1987

[52] U.S. Cl. .... D9/404; D9/403

[58] Field of Search ..... D9/349-413; D7/70, 300; 215/1 R, 1 C, 1 A, 1 B, 100 R, 100 A, 31-33

D. 250,170 11/1978 Strand ..... D9/349  
D. 256,992 9/1980 Kretz ..... D9/403  
D. 260,966 9/1981 Kretz ..... D9/349  
D. 262,778 1/1982 Britt ..... D9/404

OTHER PUBLICATIONS

Modern Packaging, Jun. 1974, p. 16.  
Modern Packaging, 10-1976, p. 15, Lavoris Bottle.

Primary Examiner—Bernard Ansher  
Assistant Examiner—C. Tuttle

[57] CLAIM

The ornamental design for a bottle, substantially as shown and described.

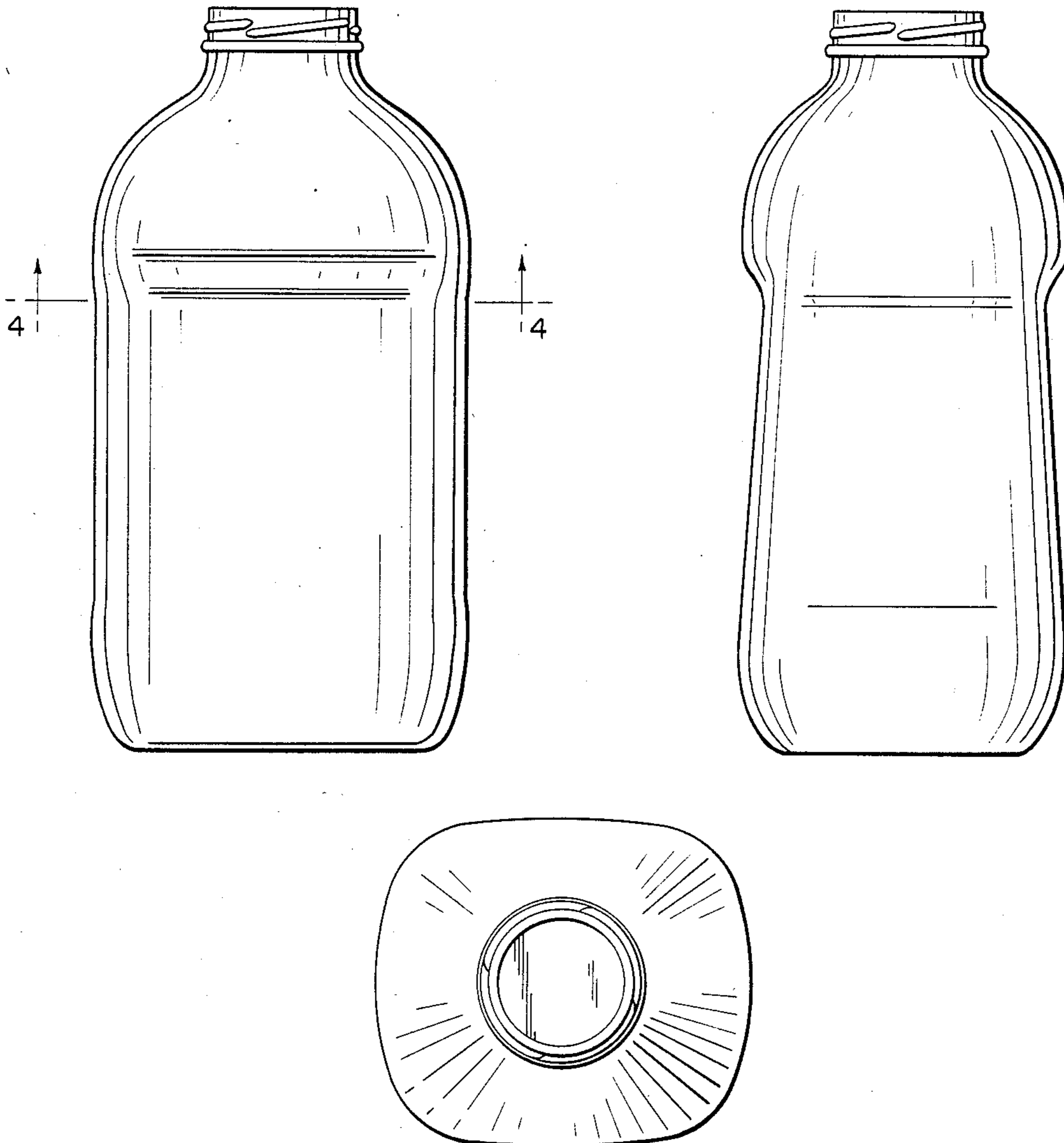
DESCRIPTION

FIG. 1 is a side elevational view of a bottle showing my new design;  
FIG. 2 is a top plan view thereof;  
FIG. 3 is an elevation rotated 90° clockwise from FIG. 1; and  
FIG. 4 is a cross-section view taken at the line 4—4 of FIG. 1.  
The side opposite that shown in FIG. 1 is the same in appearance as the side shown.

[56] References Cited

U.S. PATENT DOCUMENTS

D. 182,855	5/1958	Sampson	.....	D9/404
D. 201,216	5/1965	Lorenzen	.....	D9/408
D. 208,731	9/1967	Reinsema	.....	D9/404
D. 209,715	12/1967	Ninesling	.....	D9/390
D. 211,156	5/1968	Wilson	.....	D9/412
D. 212,587	11/1968	Shepler	.....	D9/404



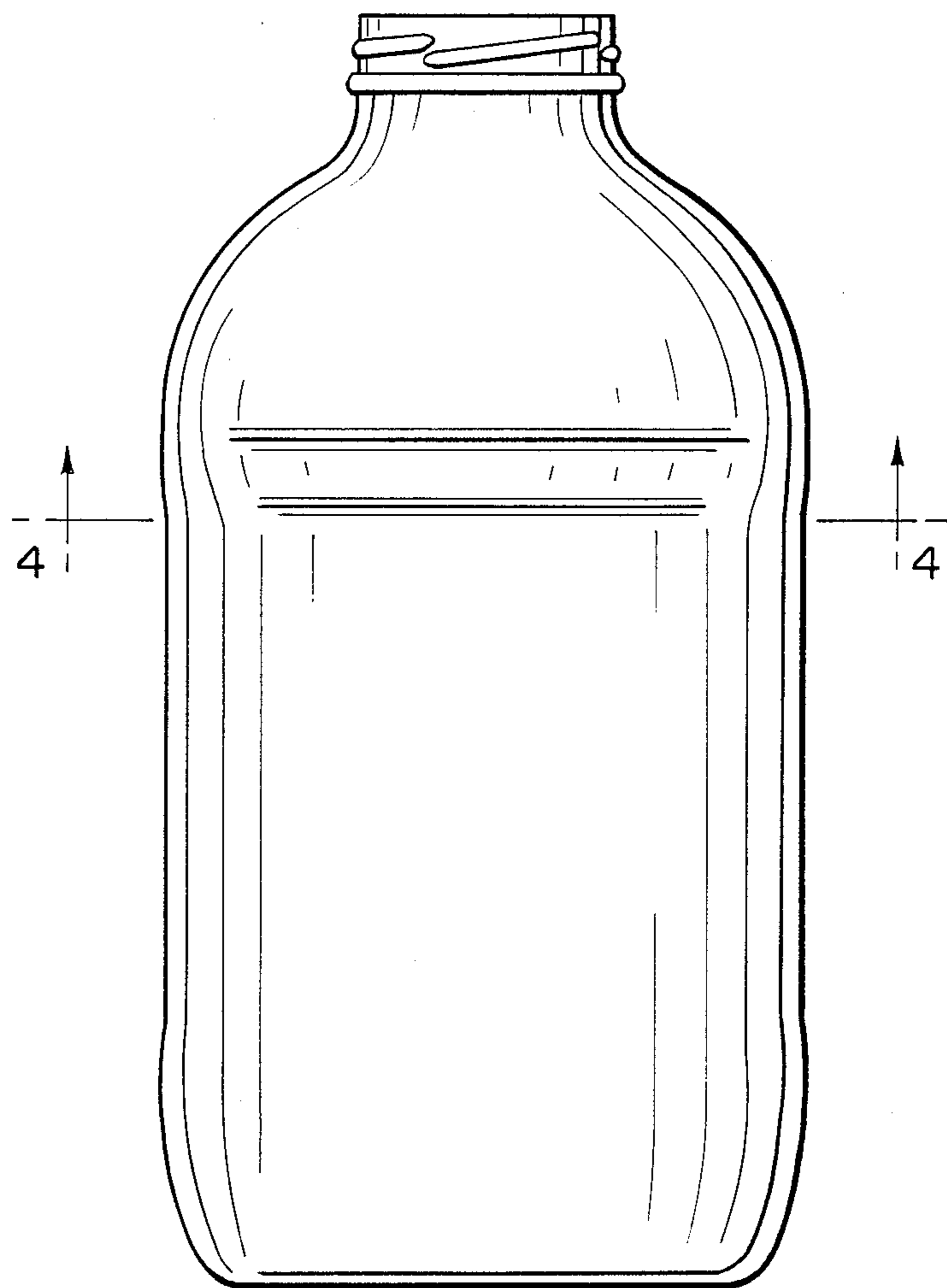


FIG. 1

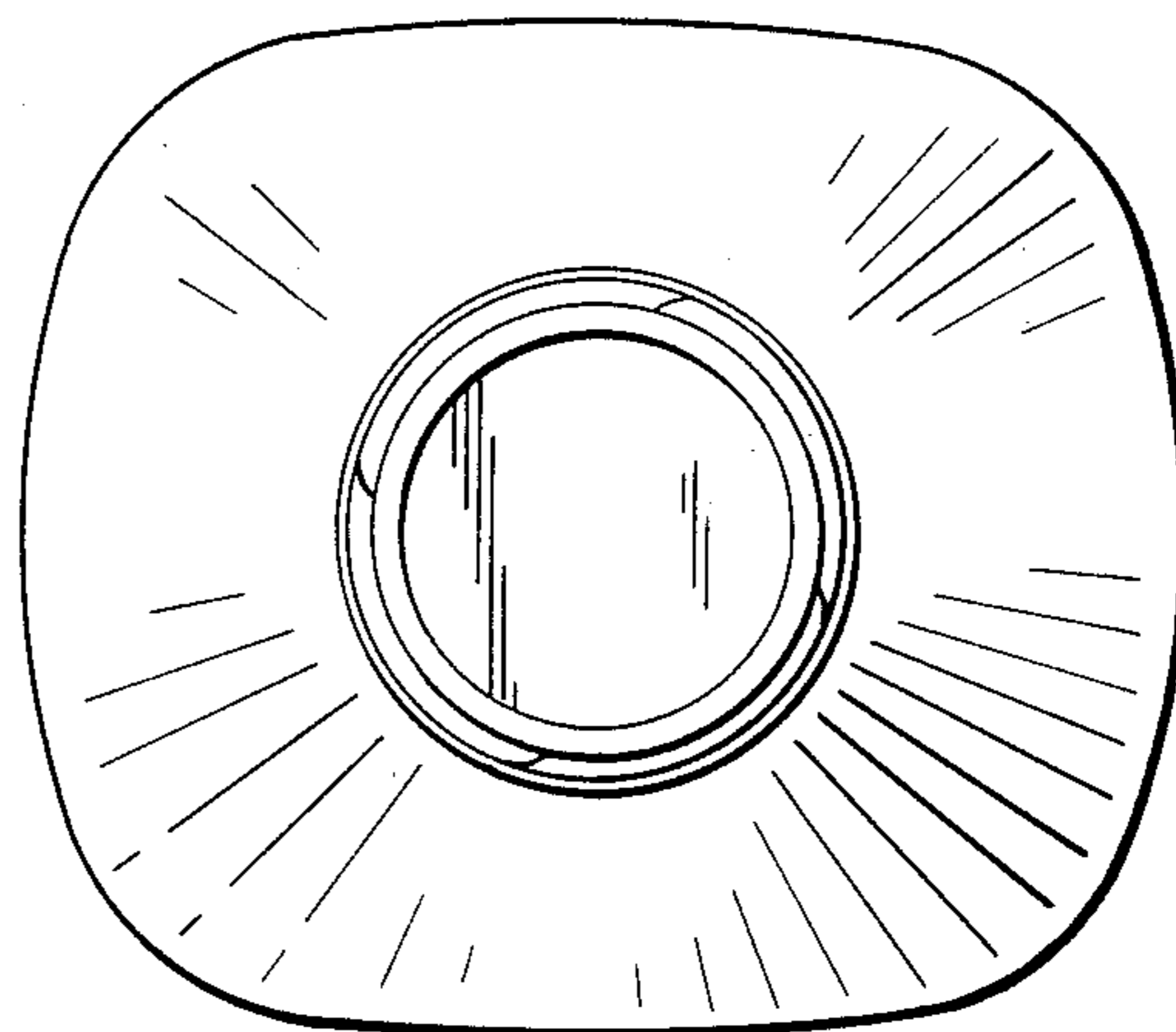


FIG. 2

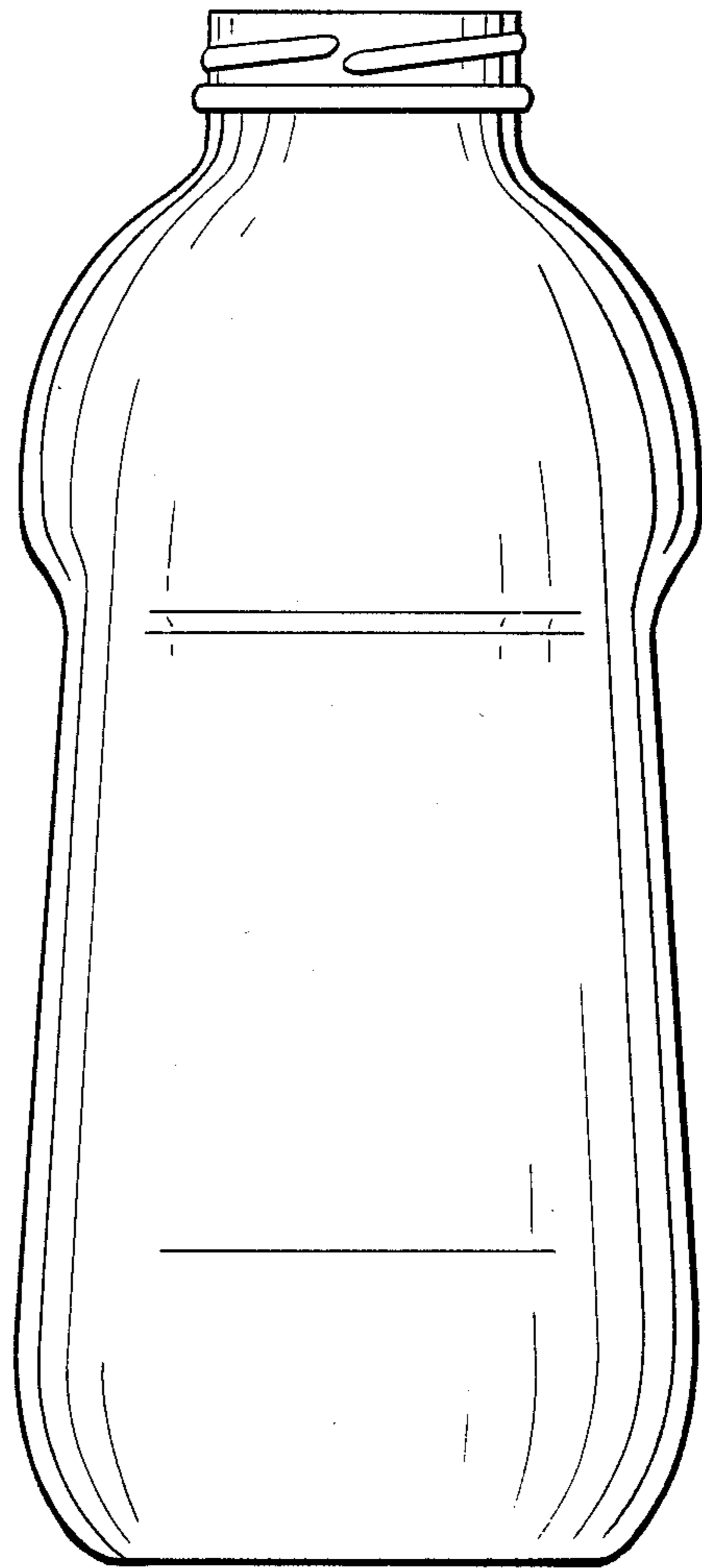


FIG. 3

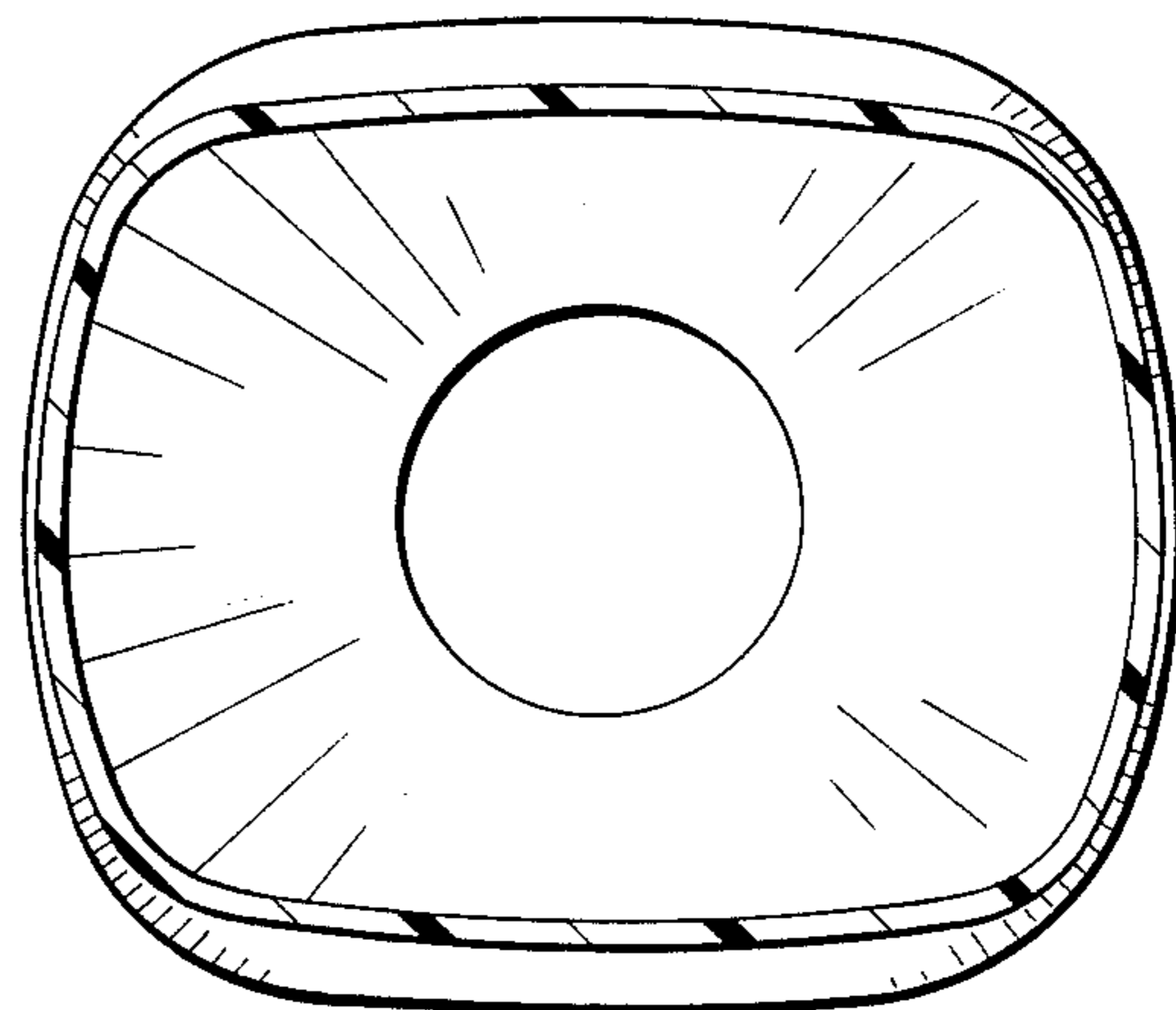


FIG. 4