

[54] **COMBINED CONTAINER WITH LID**

[75] **Inventor: Kurt B. Delbanco, New York, N.Y.**

[73] **Assignee: Delmey Trading Corp., New York, N.Y.**

[**] **Term: 14 Years**

[21] **Appl. No.: 17,197**

[22] **Filed: Feb. 19, 1987**

[52] **U.S. Cl. D9/402**

[58] **Field of Search D7/70, 79, 81; D9/349, D9/352, 353, 377, 402, 414, 430; D11/143; D34/1, 40; 206/822; 220/352, 376; 229/100, 108, 115, 125.01**

[56] **References Cited**

U.S. PATENT DOCUMENTS

D. 21,628	6/1892	Underhill	D9/352
D. 57,707	4/1921	Morrison	D9/402
D. 88,111	3/1932	Scurlock	D7/79
D. 95,385	2/1935	Scurlock	D7/81
1,959,262	5/1932	Colabrese	D7/79

OTHER PUBLICATIONS

Industrial Plastics 1979-80 catalog p. 12, Square Tank

Primary Examiner—B. J. Bullock

Assistant Examiner—Sandra Morris

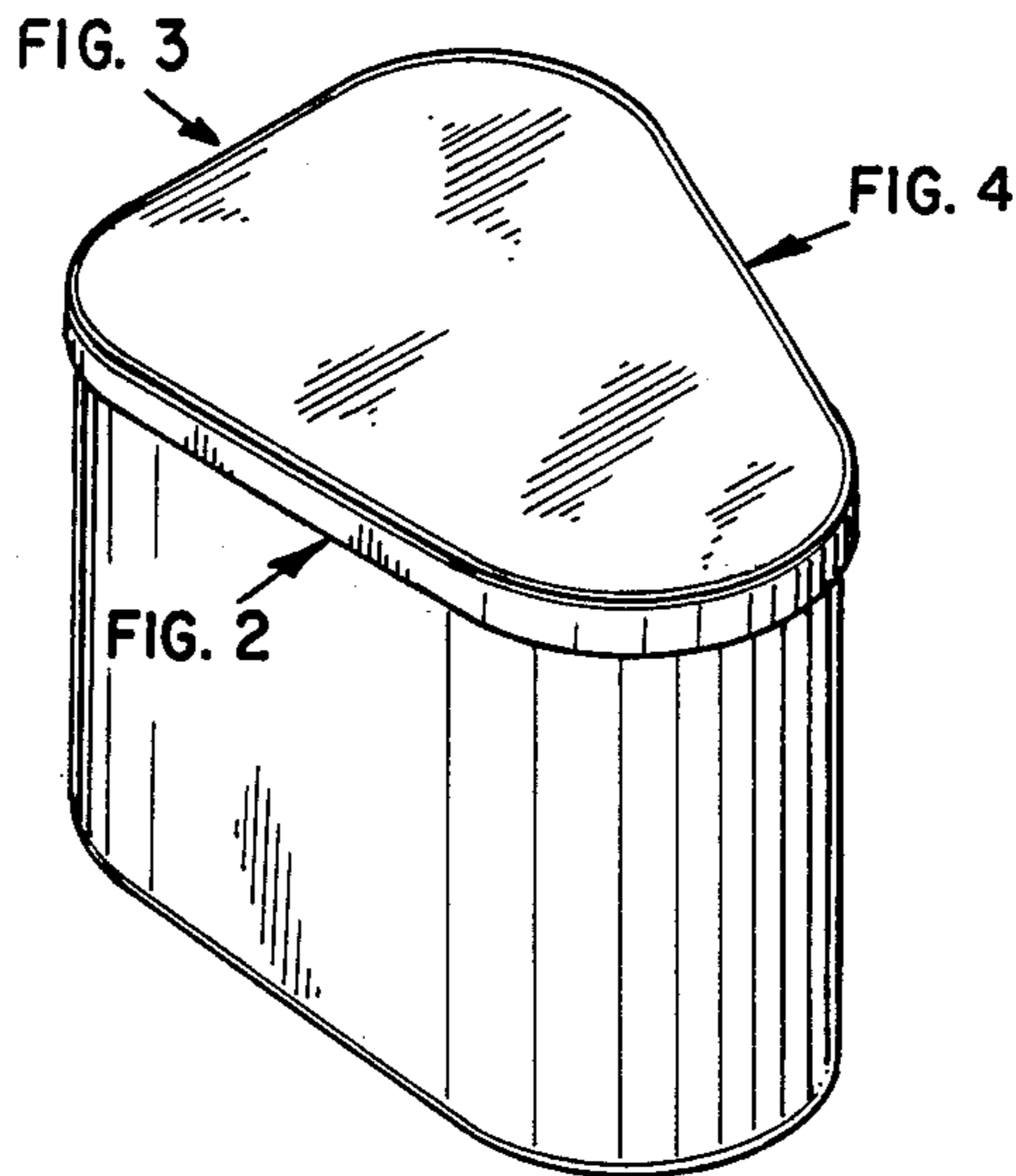
Attorney, Agent, or Firm—Darby & Darby

[57] **CLAIM**

The ornamental design for a combined container with lid, as shown and described.

DESCRIPTION

FIG. 1 is a perspective view of a combined container with lid showing my new design;
FIG. 2 is an enlarged side elevational view as viewed from the direction of the FIG. 2 arrow in FIG. 1;
FIG. 3 is a second enlarged side elevational view as viewed from the direction of the FIG. 3 arrow in FIG. 1;
FIG. 4 is a third enlarged side elevational view as viewed from the direction of the FIG. 4 arrow in FIG. 1;
FIG. 5 is an enlarged top plan view thereof;
FIG. 6 is an enlarged bottom plan view thereof.



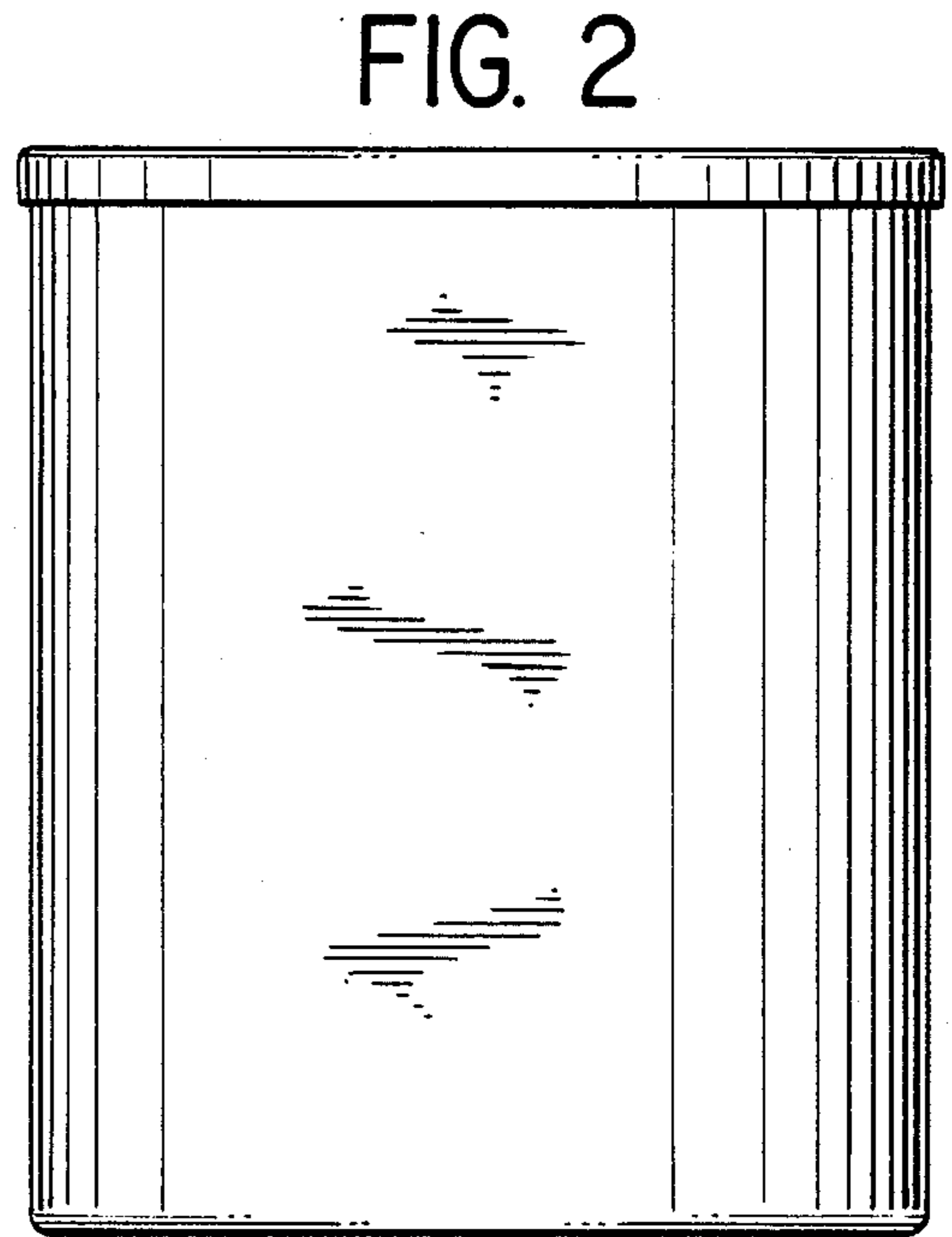
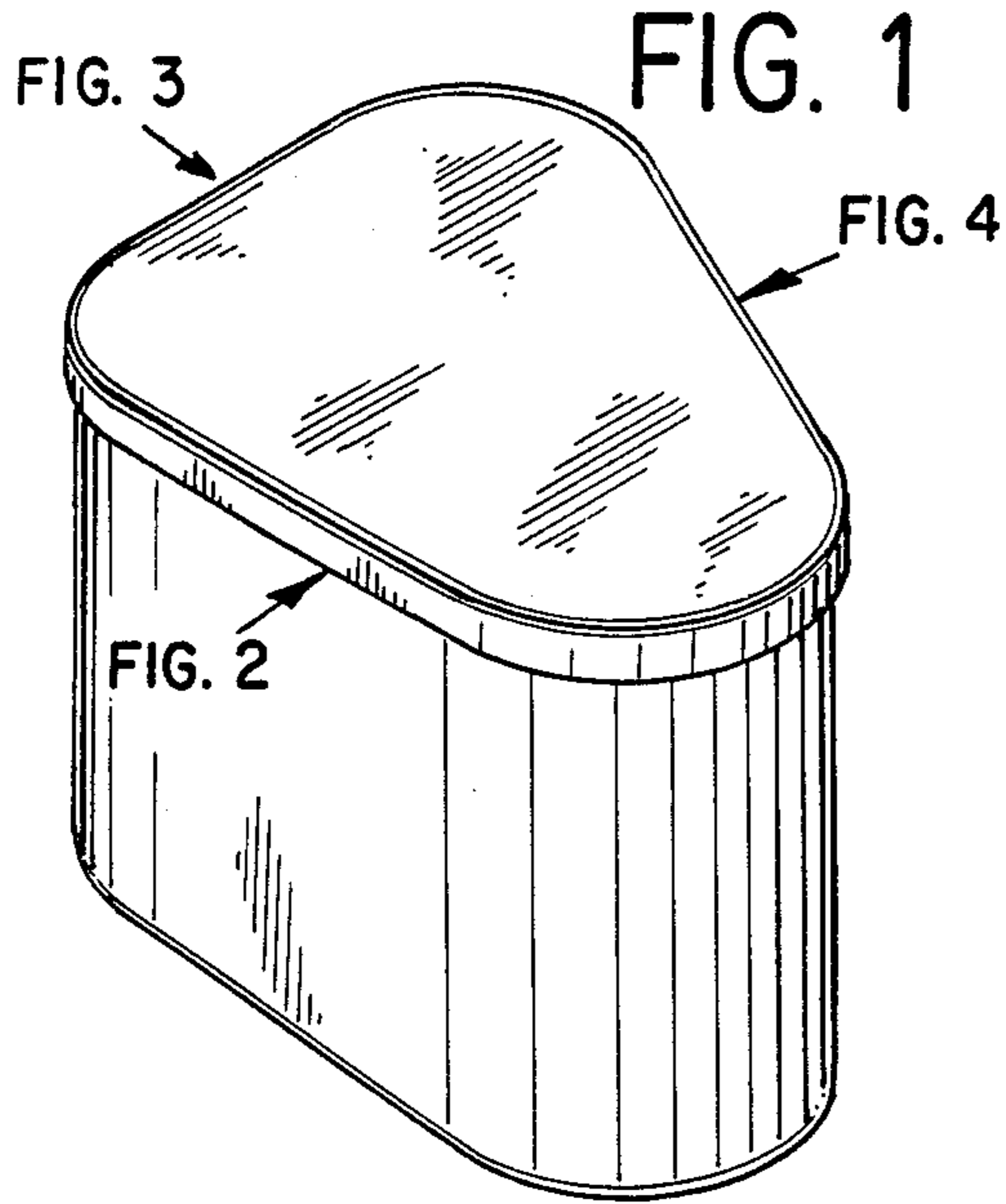


FIG. 3

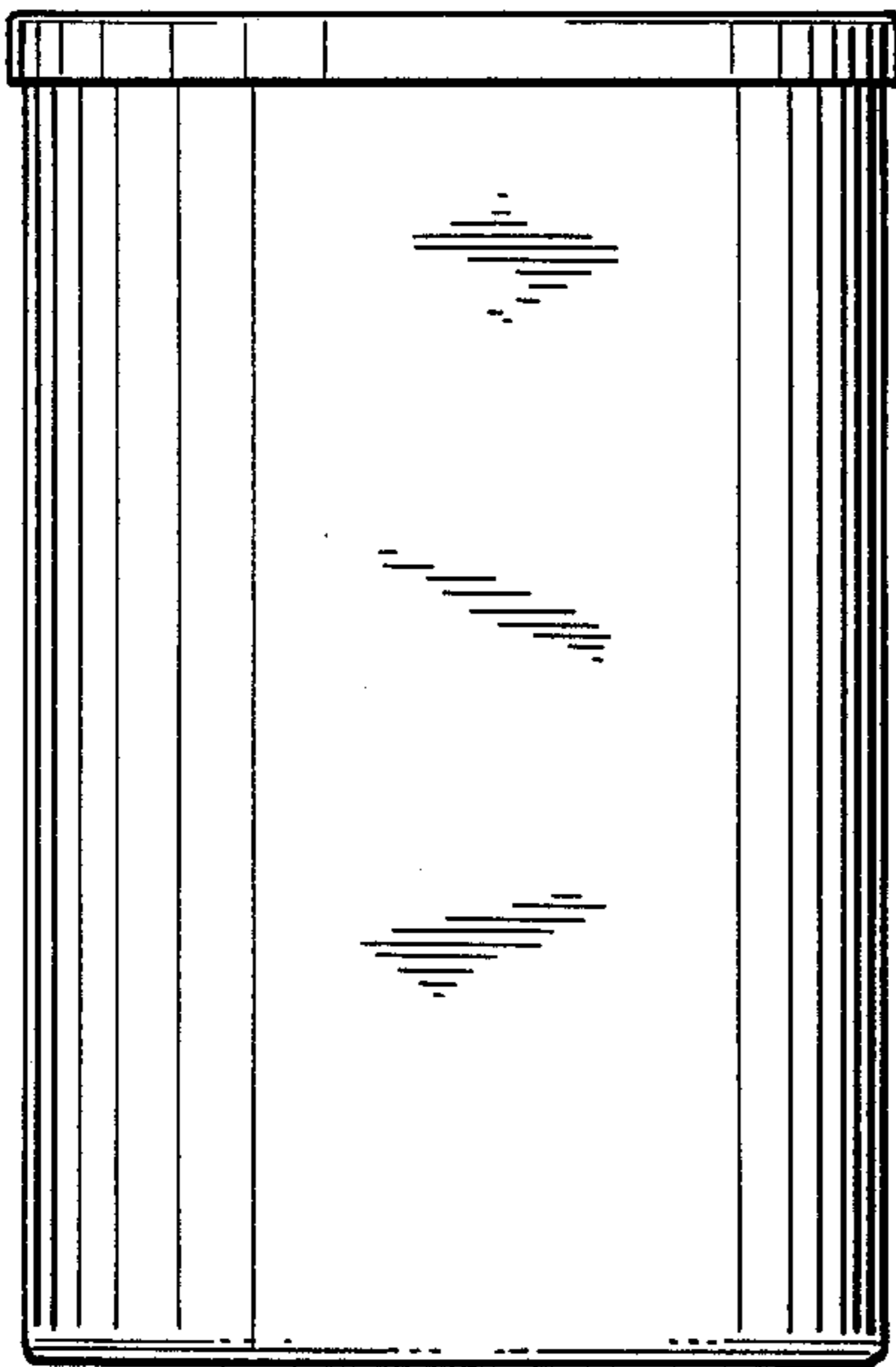


FIG. 4

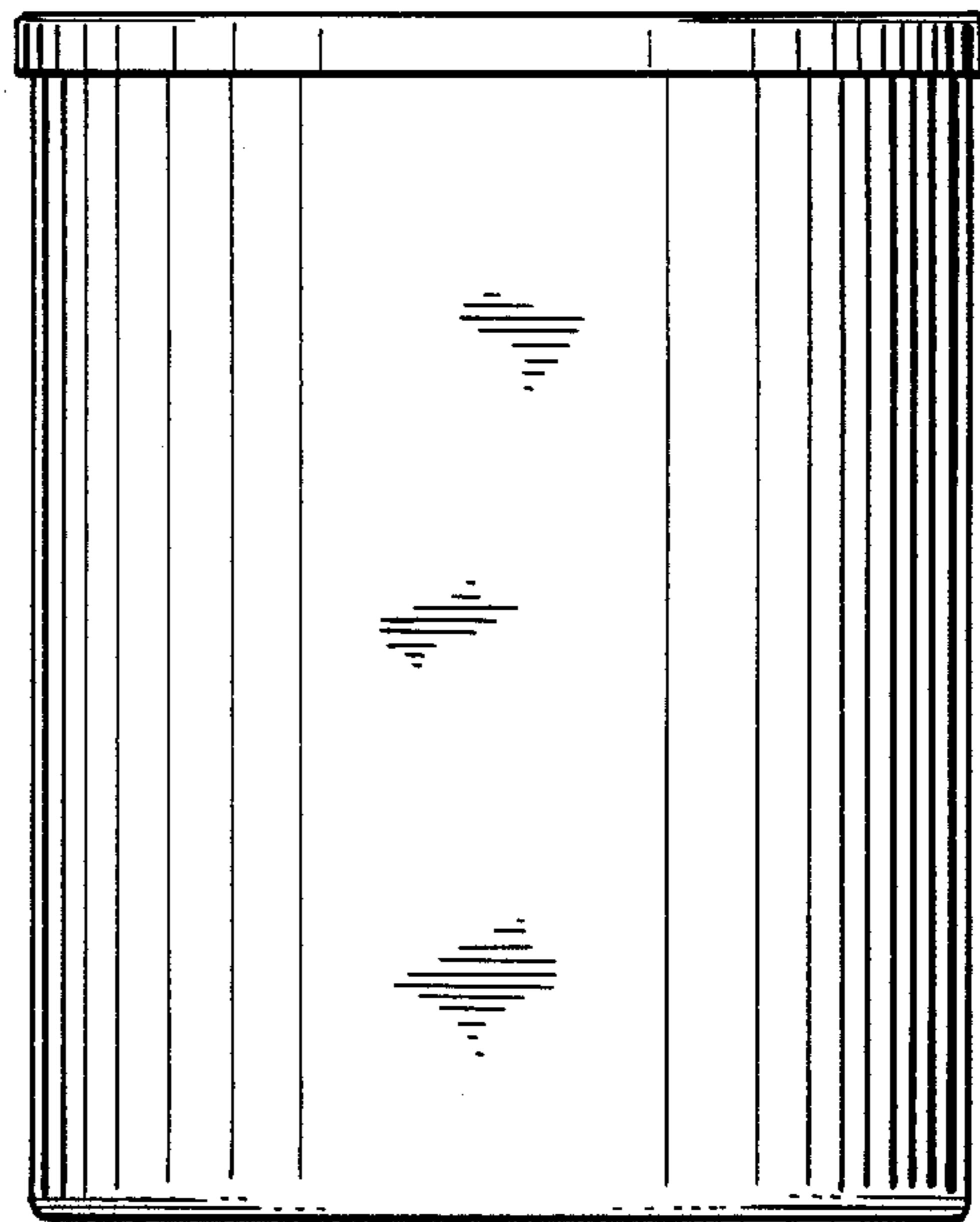


FIG. 5

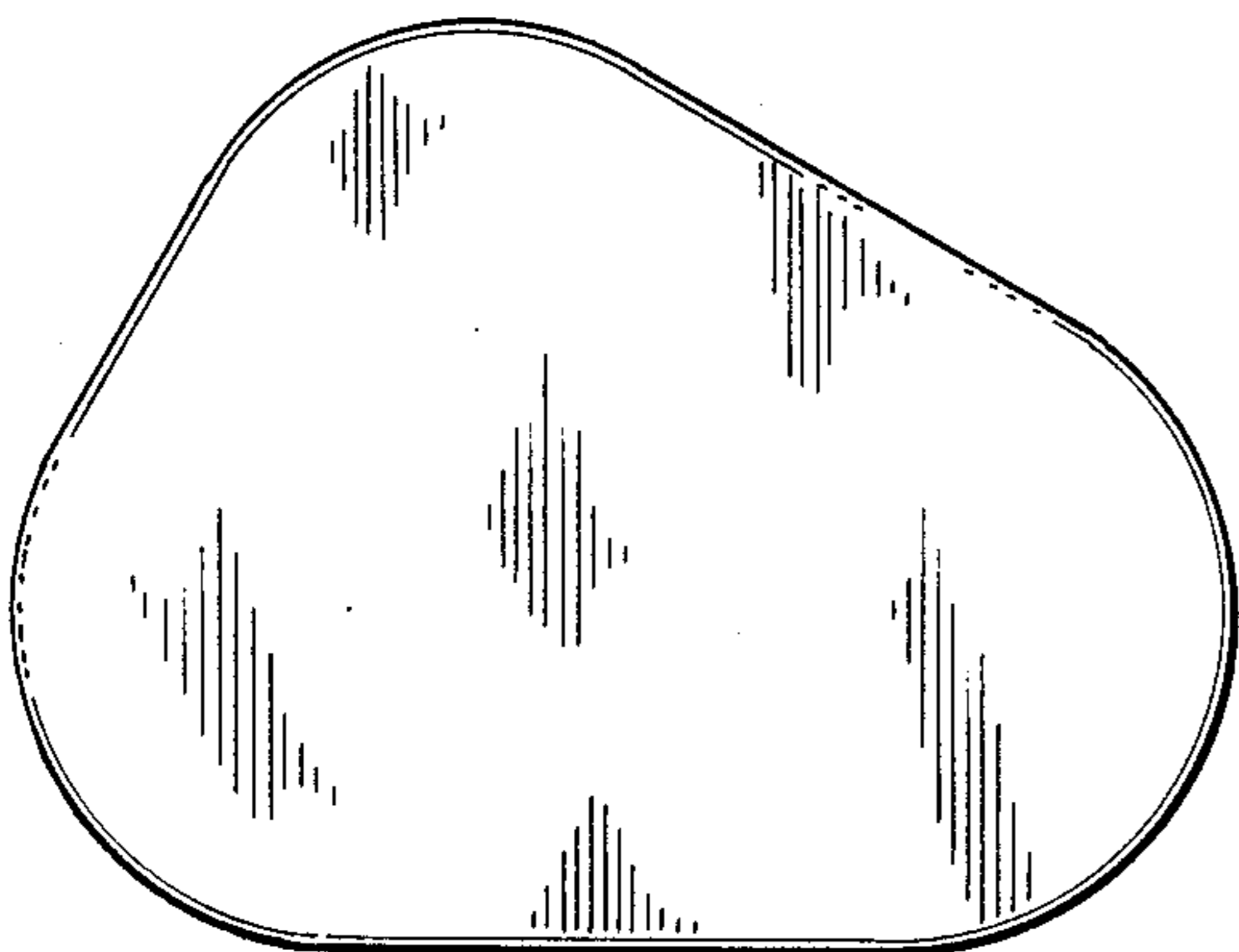


FIG. 6

