

[54] RECLOSABLE PACKAGE

[75] Inventors: Daniel J. Slavin, Crystal Lake; John R. Kreider, Carol Stream, both of Ill.

[73] Assignee: Dordan Manufacturing Company, Chicago, Ill.

[\*\*] Term: 14 Years

[21] Appl. No.: 202,912

[22] Filed: Jun. 3, 1988

[52] U.S. Cl. .... D9/341; D9/418

[58] Field of Search ..... D9/418, 415, 345, 346, D9/347; 206/45.31, 45.34, 45.15, 45.23, 472, 473, 474, 486, 487, 450, 451

[56] References Cited

U.S. PATENT DOCUMENTS

2,387,790	10/1945	Williamson	206/473 X
3,324,997	6/1967	Bonanno	206/45.34
3,429,427	2/1969	Wolf	206/45.34
3,743,081	7/1973	Roberg et al.	206/472
3,822,781	7/1974	Braginetz	206/45.34 X
4,641,750	2/1987	Johnson et al.	206/472 X
4,892,195	6/1988	Slavin	206/473

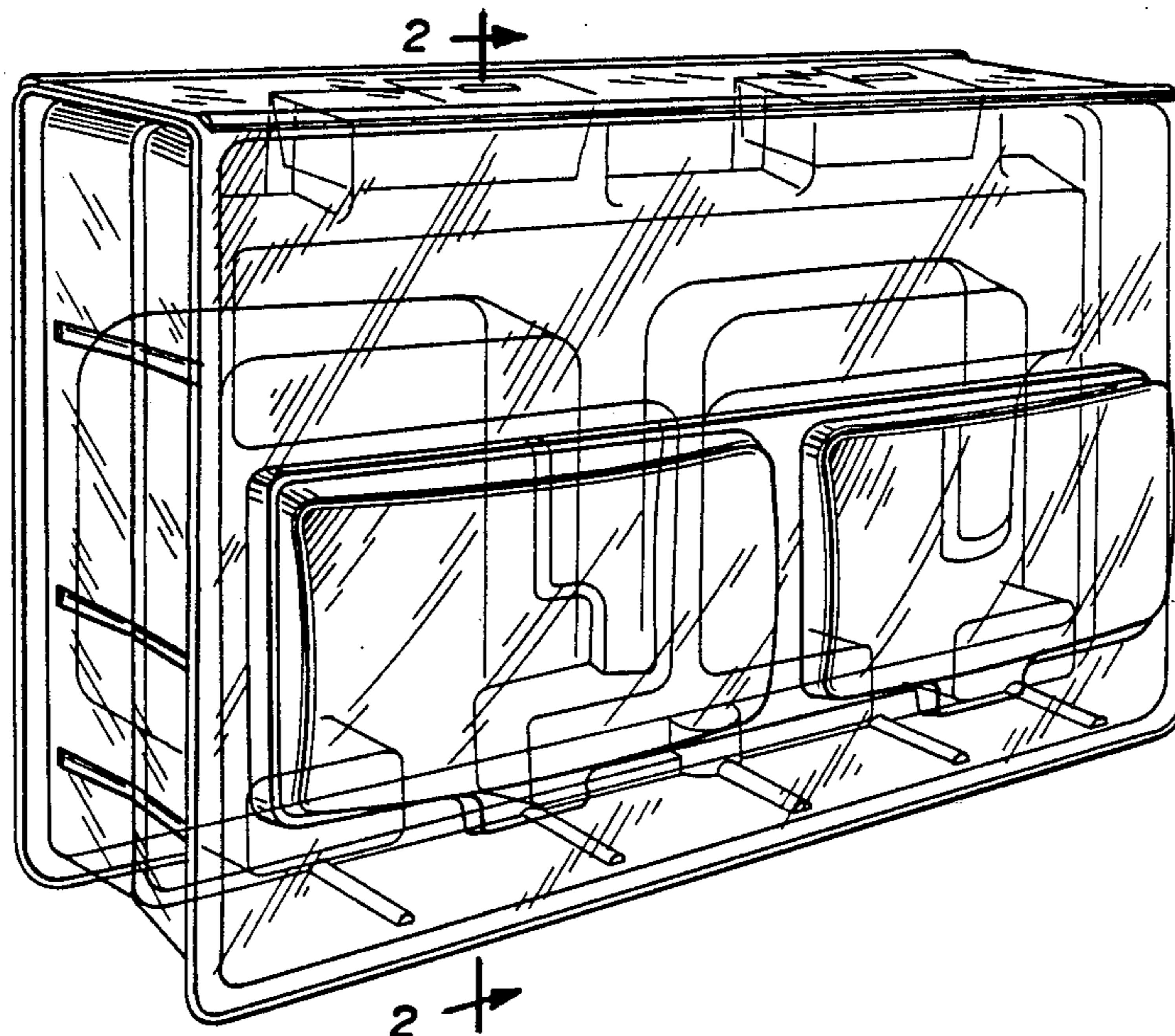
Primary Examiner—Bernard Ansher  
Assistant Examiner—Prabhakar Deshmukh  
Attorney, Agent, or Firm—Welsh & Katz, Ltd.

[57] CLAIM

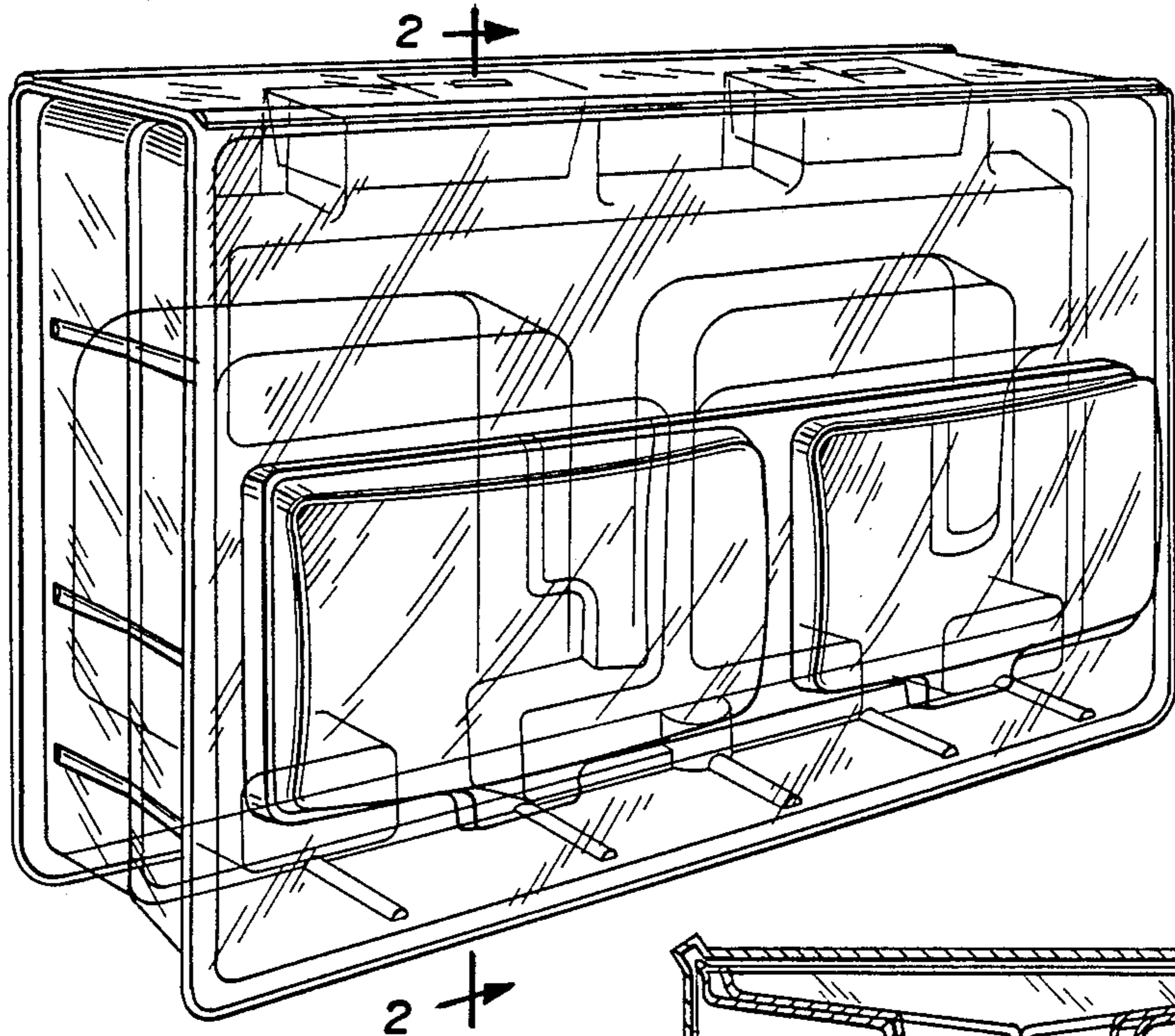
The ornamental design for a reclosable package, shown and described.

DESCRIPTION

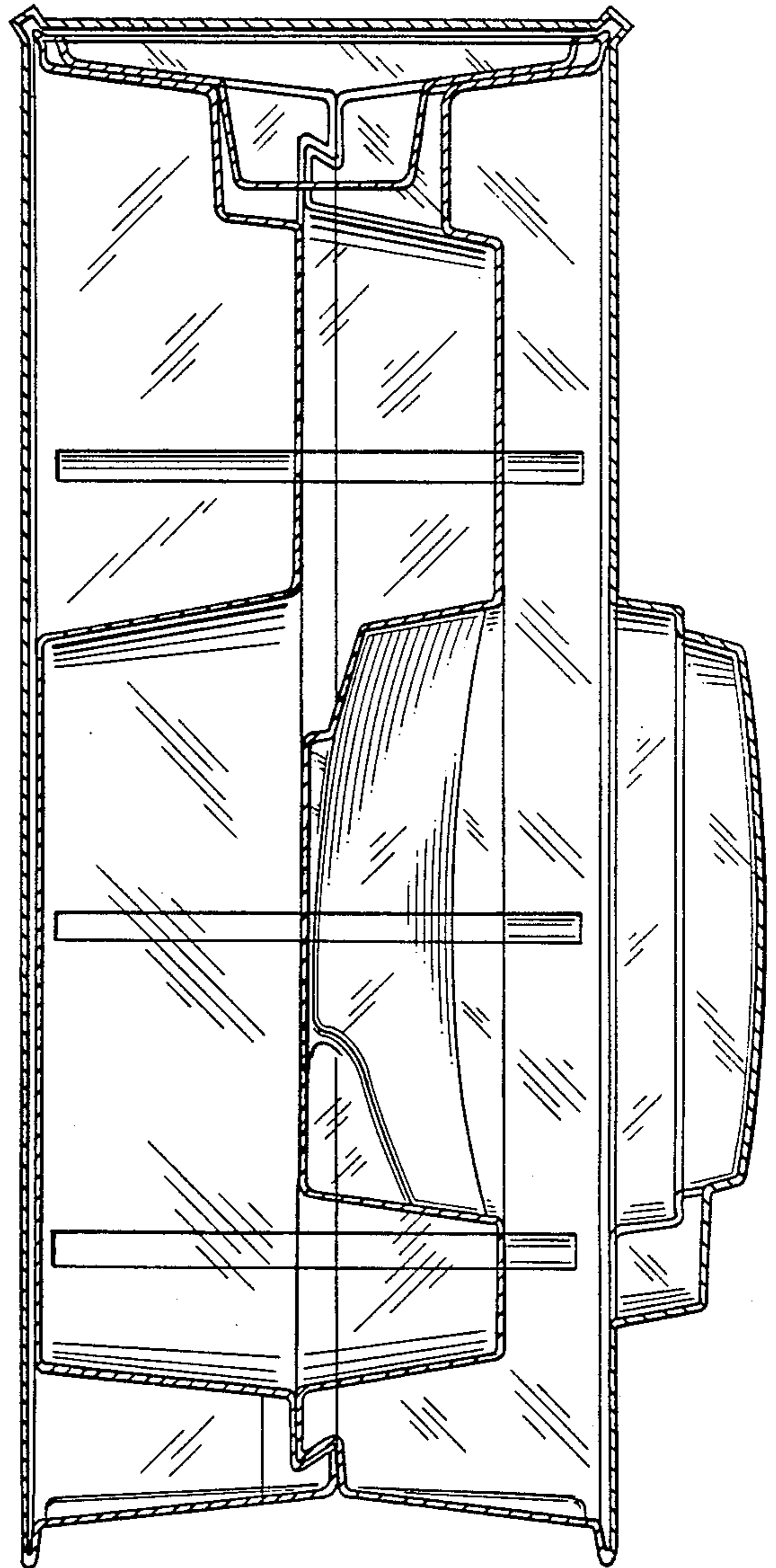
FIG. 1 is a front perspective view of a reclosable package showing my new design;  
 FIG. 2 is a sectional elevation taken along line 2—2 of FIG. 1;  
 FIG. 3 is a top plan view thereof;  
 FIG. 4 is a front elevation thereof;  
 FIG. 5 is a bottom plan view thereof;  
 FIG. 6 is a left side elevation thereof;  
 FIG. 7 is a right side elevation thereof;  
 FIG. 8 is a rear side view thereof;  
 FIG. 9 is a front perspective view thereof similar to FIG. 1; with graphics card; and  
 FIG. 10 is a rear side elevation thereof; similar to FIG. 8; with graphics card.  
 The broken lines showing of graphics card in FIGS. 9 and 10 are shown for illustrative purpose only and forms no part of the claim.



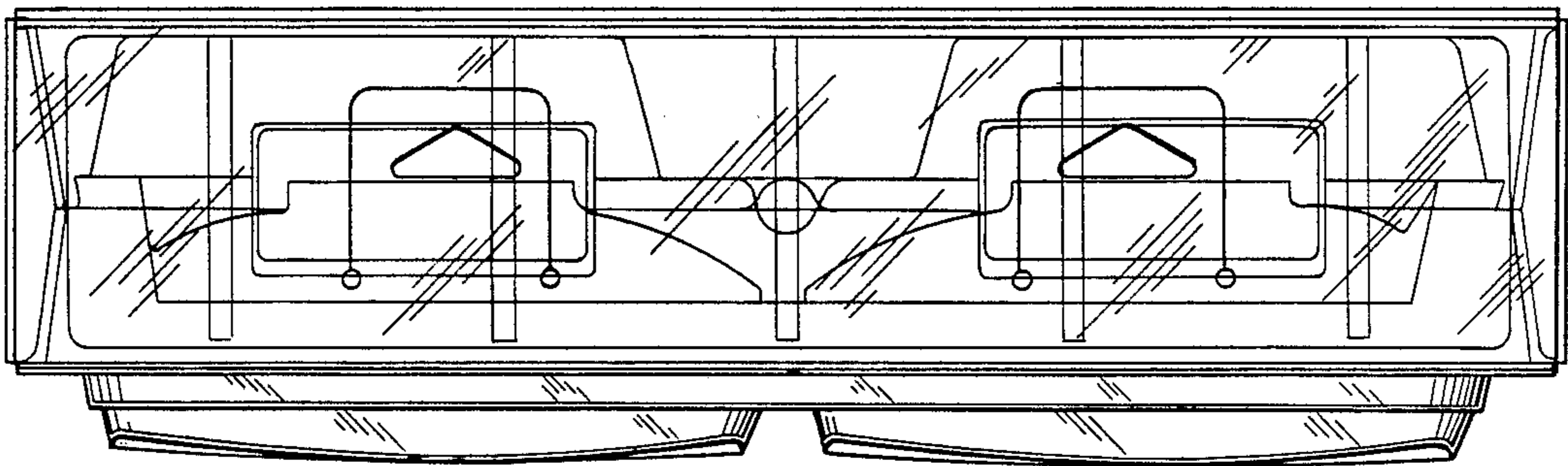
**Fig. 1**



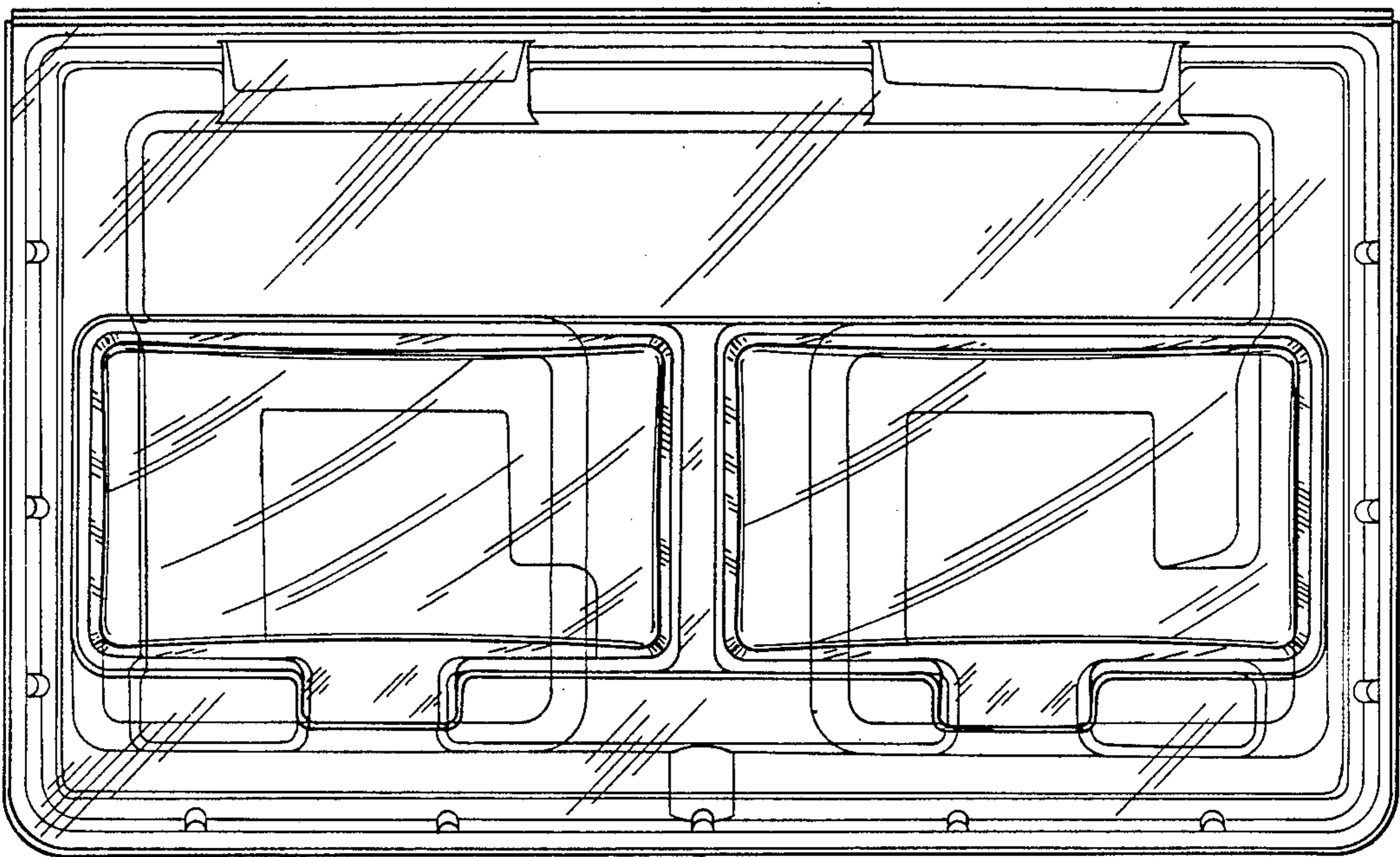
**Fig. 2**



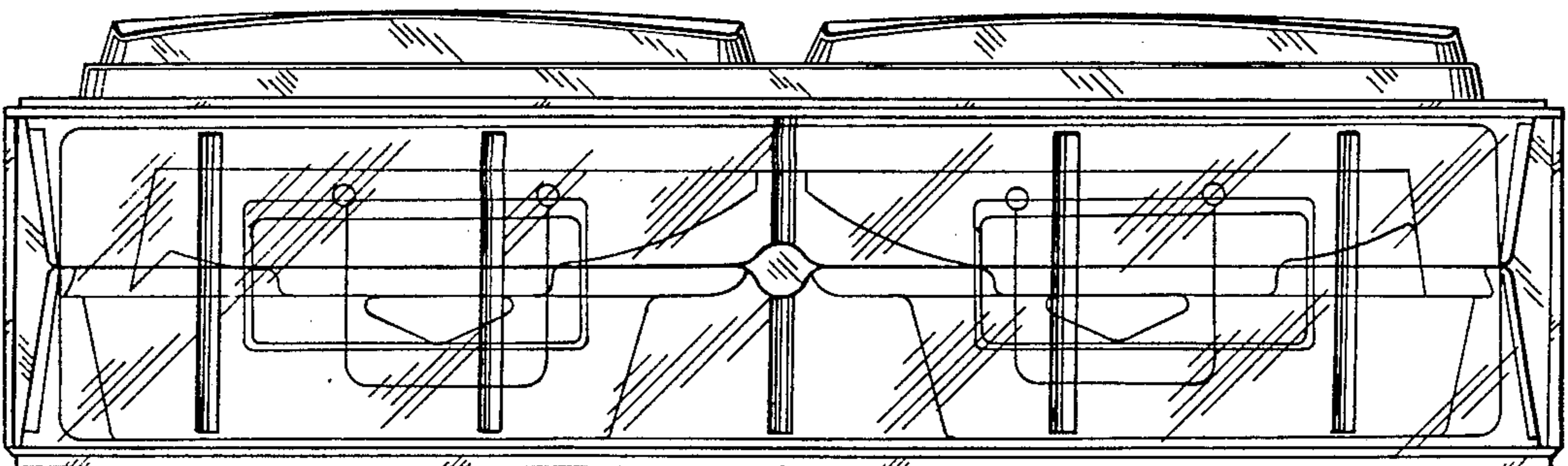
**Fig. 3**



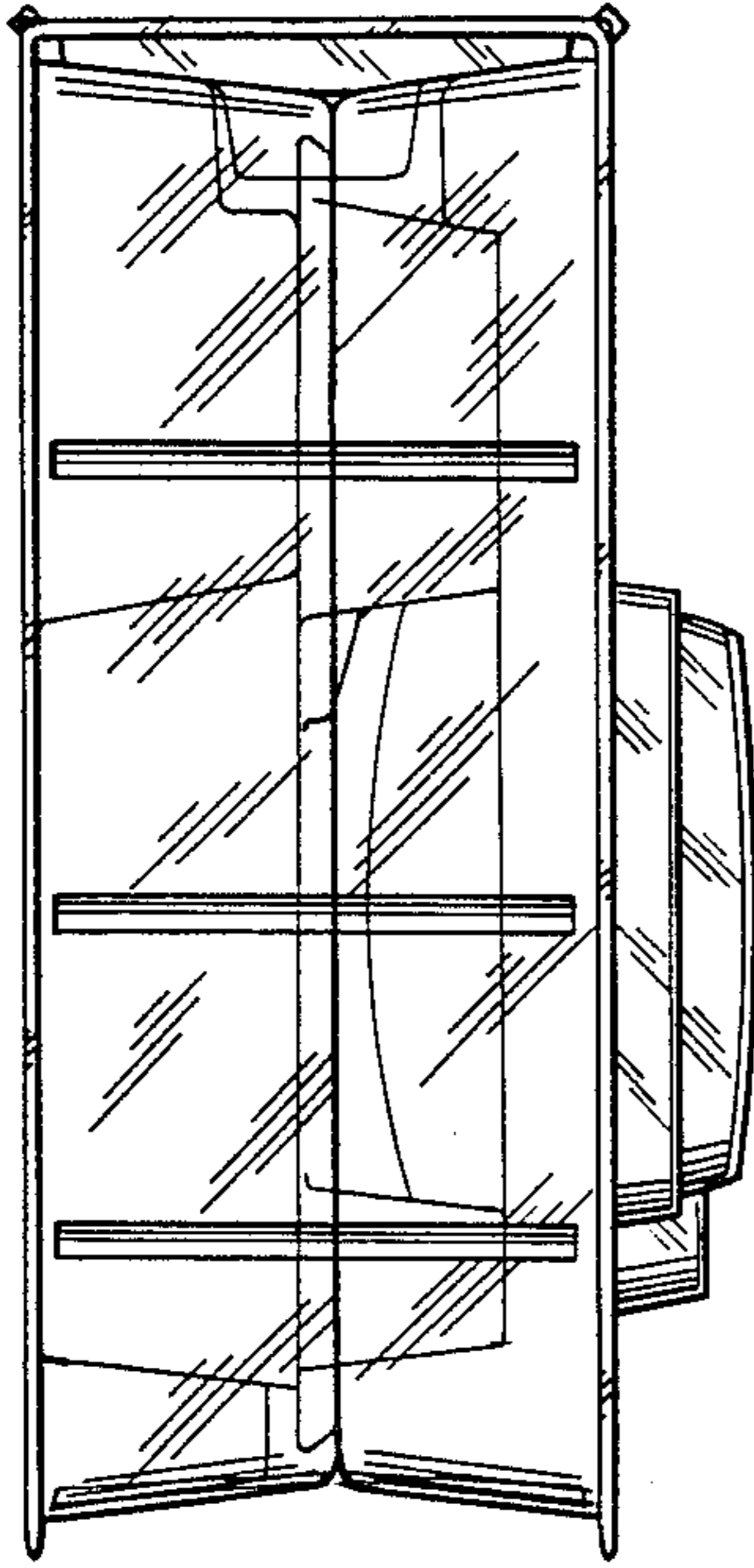
**Fig. 4**



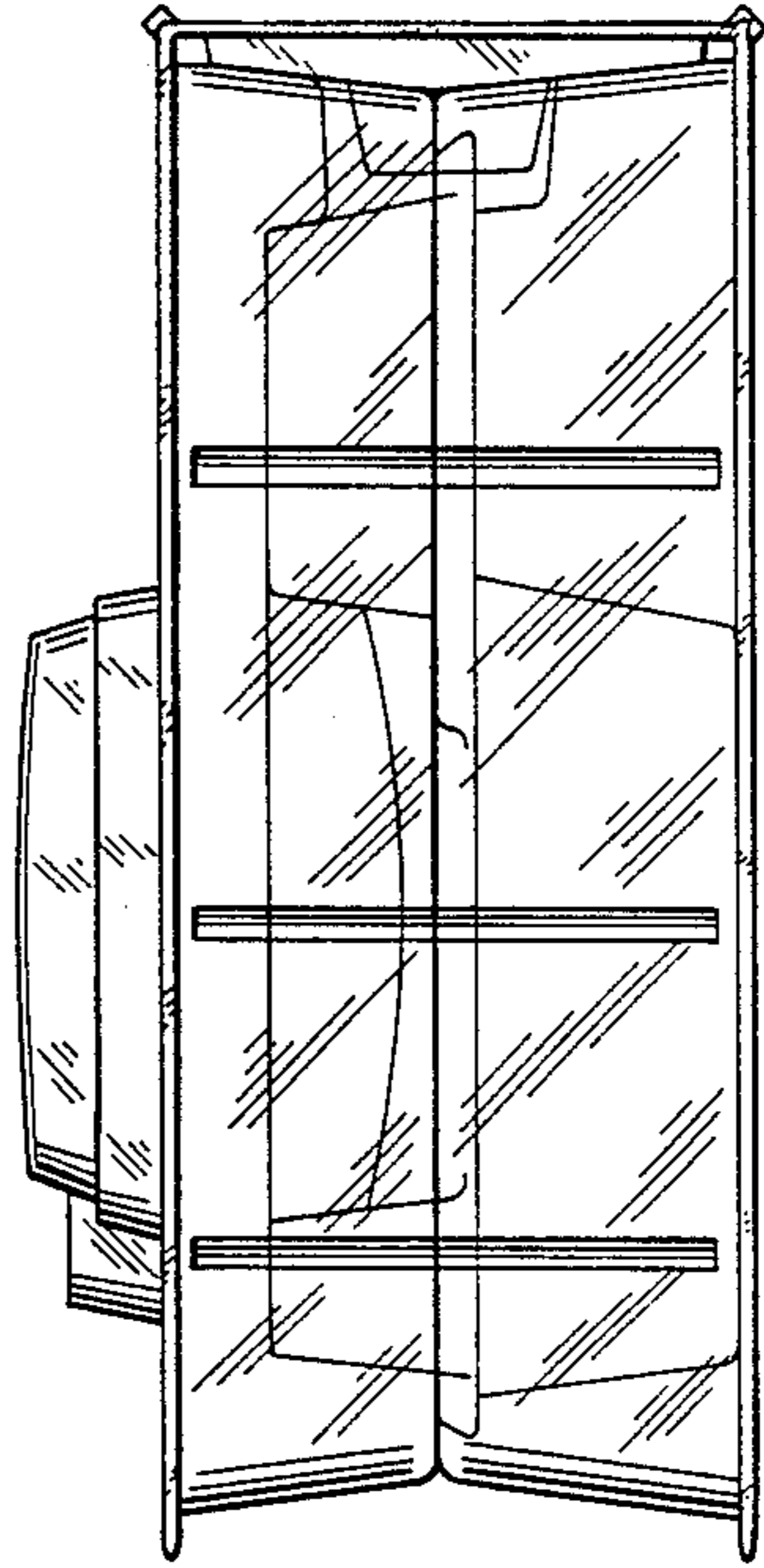
**Fig. 5**



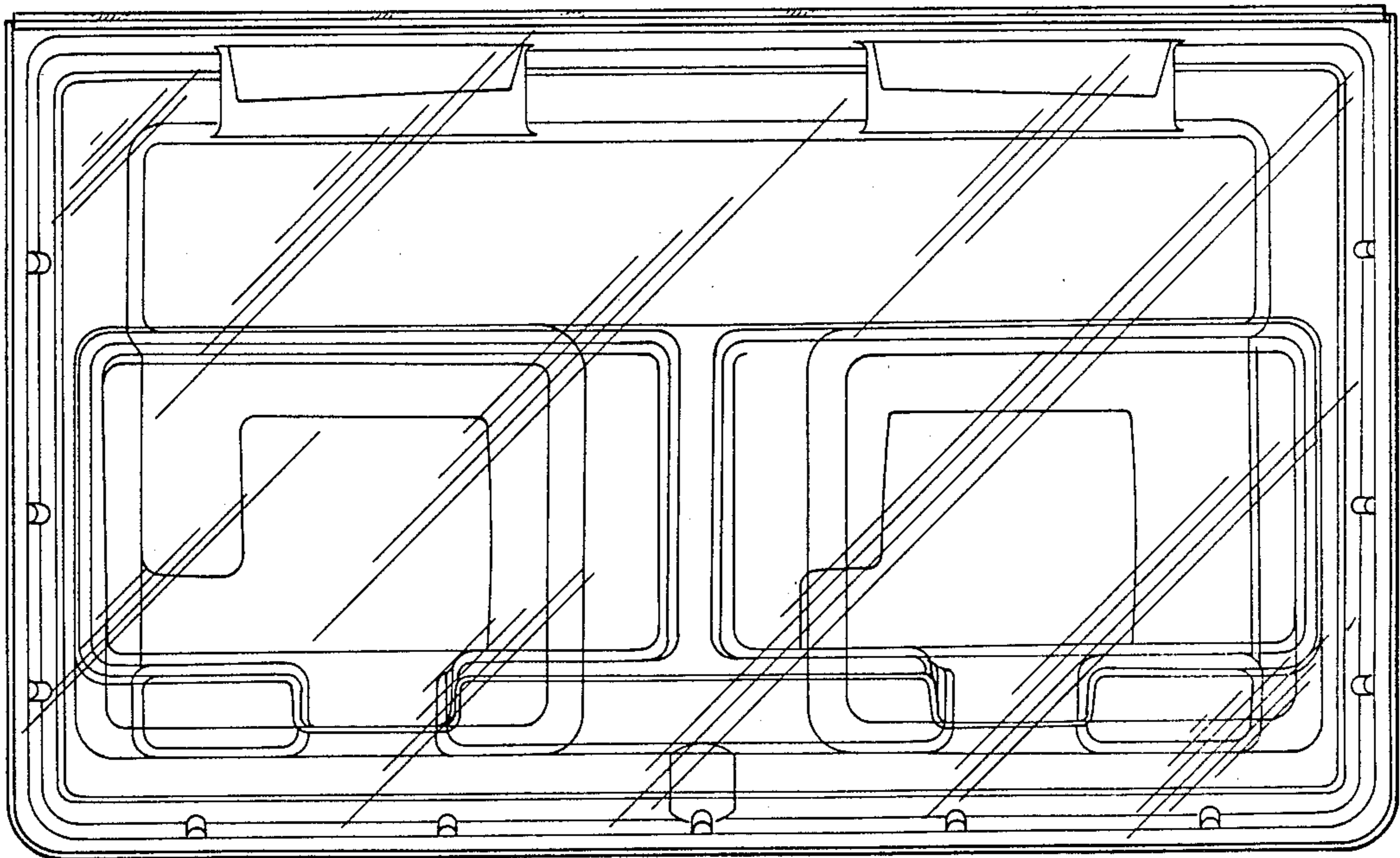
**Fig. 6**

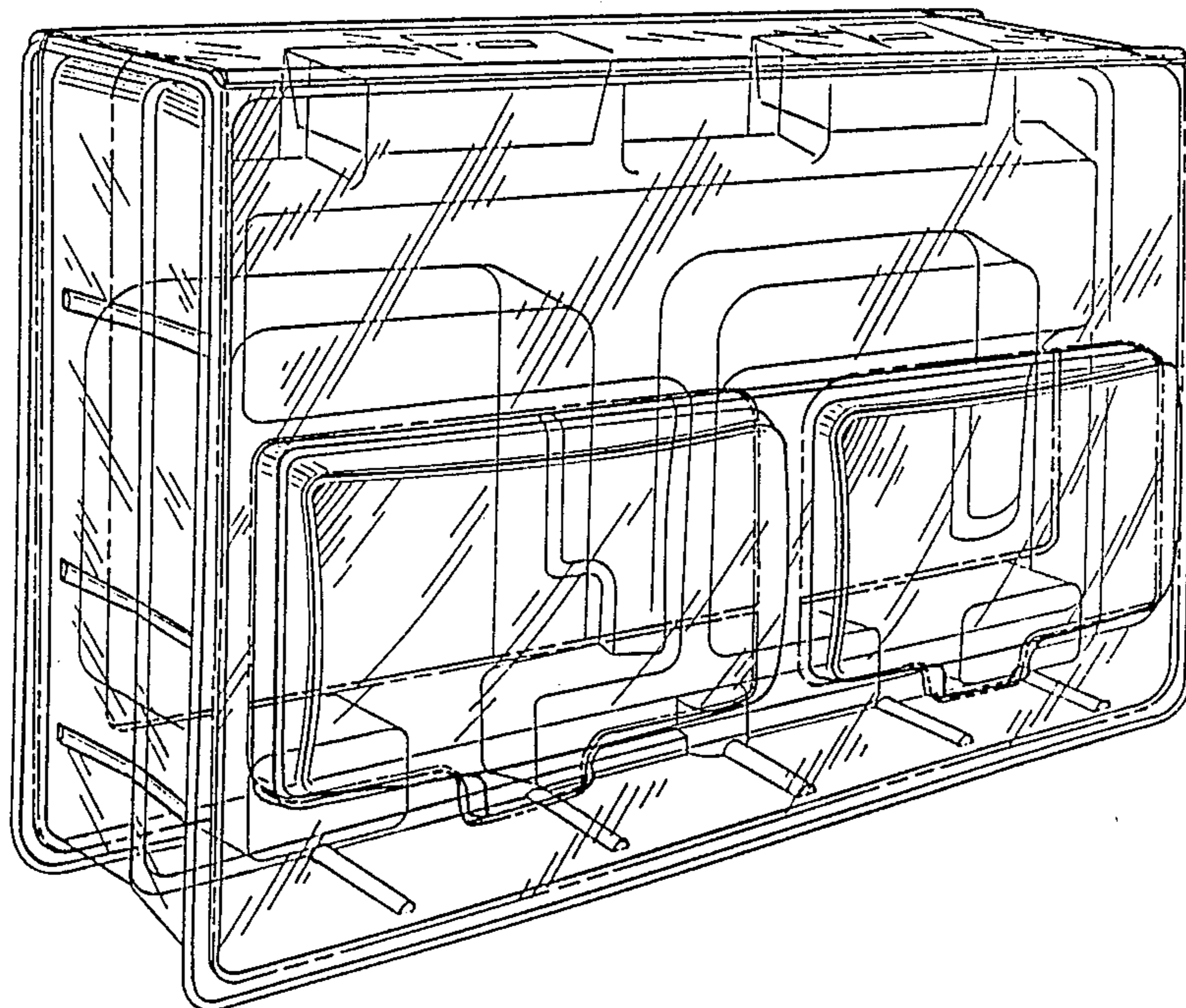


**Fig. 7**



**Fig. 8**





**Fig. 9**

**Fig. 10**

