

United States Patent [19]

Lynn

[11] Patent Number: **Des. 308,328**

[45] Date of Patent: **** Jun. 5, 1990**

[54] **LINE DISPENSING CANNISTER FOR INSTALLING A PULL-LINE INTO A CONDUIT**

4,054,264 10/1977 Elverson 254/134.3 FT
4,726,564 2/1988 Lynn 254/134.4

FOREIGN PATENT DOCUMENTS

[75] Inventor: **Randy R. Lynn**, Benton Harbor, Mich.

1085937 7/1960 Fed. Rep. of Germany ... 254/134.3 FT

[73] Assignee: **Greenlee Textron Inc.**, Rockford, Ill.

Primary Examiner—Susan J. Lucas

[**] Term: **14 Years**

Assistant Examiner—M. H. Tung

[21] Appl. No.: **907,759**

Attorney, Agent, or Firm—R. A. Giangiorgi

[22] Filed: **Sep. 15, 1986**

[52] U.S. Cl. **D8/356**

[58] Field of Search 254/134.4, 134.3 R, 254/134.3 FT; 15/104.061; D8/354, 360.1

[57] CLAIM

The ornamental design for a line dispensing cannister for installing a pull-line into a conduit, as shown and described.

DESCRIPTION

[56] **References Cited**

U.S. PATENT DOCUMENTS

1,679,490 8/1928 Parker 254/134.3 FT
2,691,492 10/1954 Lang 242/96
2,718,376 9/1955 Raney 254/134.3 FT
2,930,584 3/1960 Hensley et al. 254/134.3 FT
3,038,702 6/1962 Trunnel 254/134.3 FT
4,043,537 8/1977 Russo, Jr. 254/134.4

FIG. 1 is a top plan view of a line dispensing cannister for installing a pull-line into a conduit showing my new design;

FIG. 2 is a side elevational view thereof, the other side being a mirror image;

FIG. 3 is a bottom plan view thereof;

FIG. 4 is a rear elevational view thereof;

FIG. 5 is a front elevational view thereof.

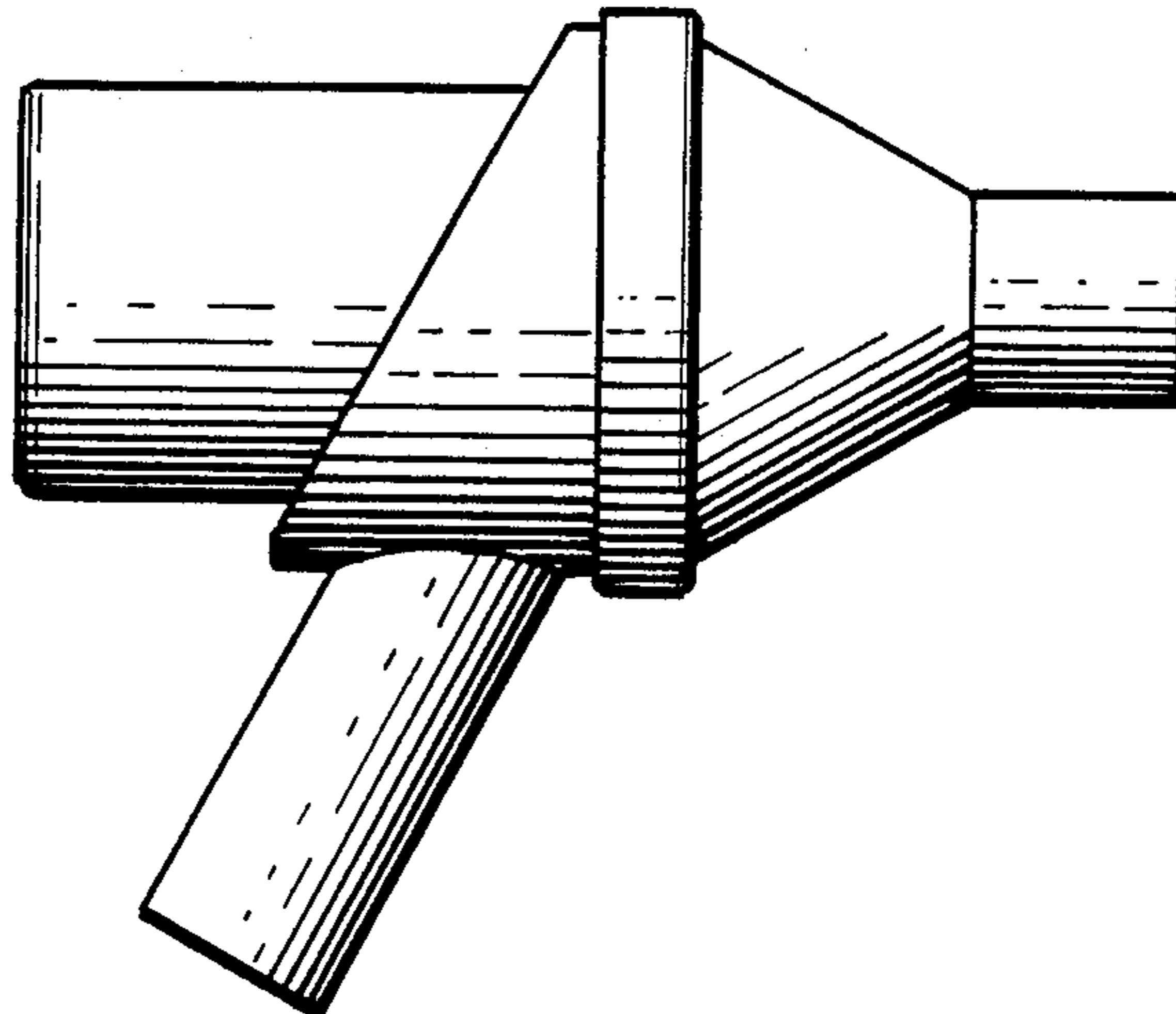


FIG. 1

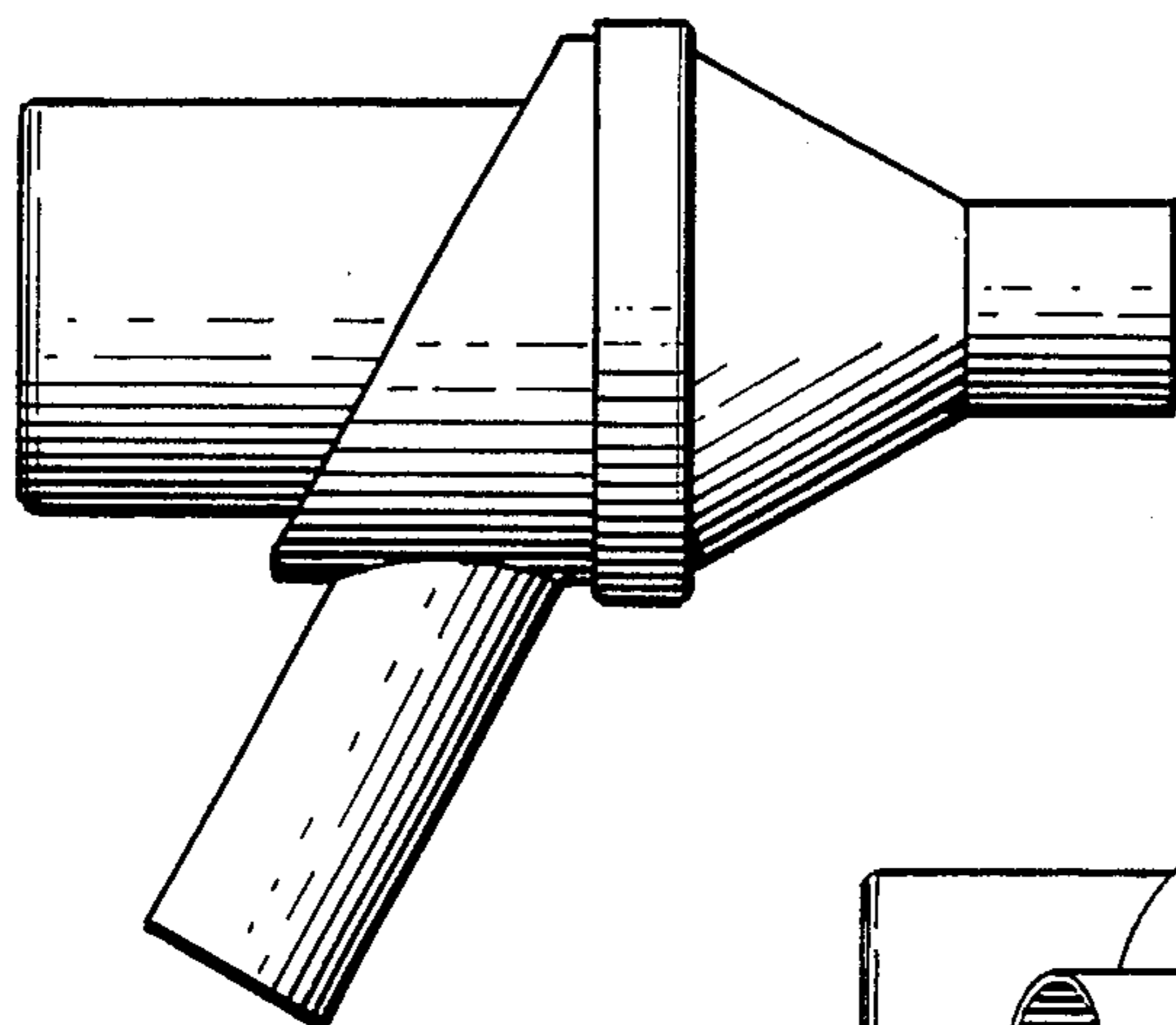
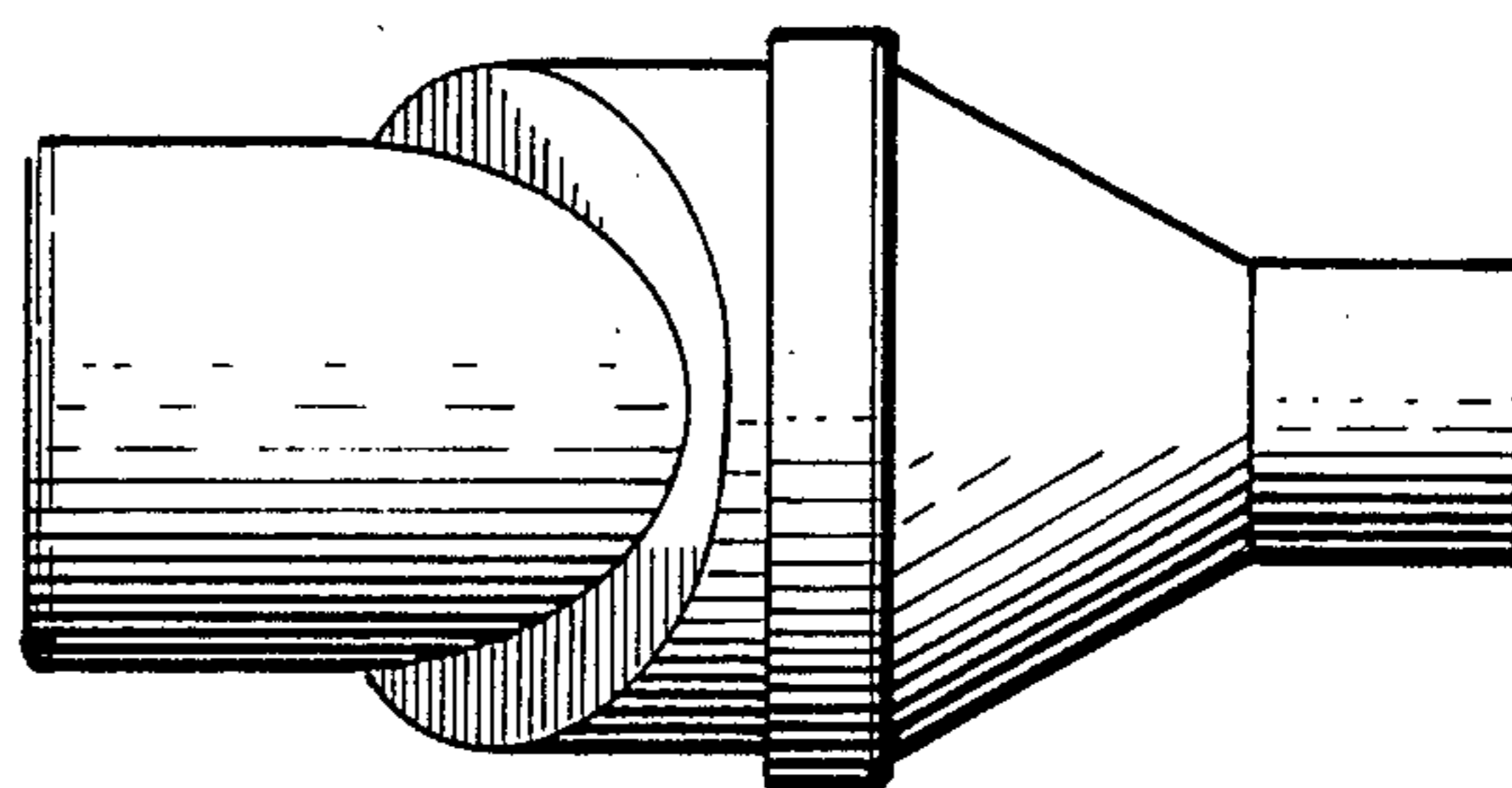


FIG. 2

FIG. 3

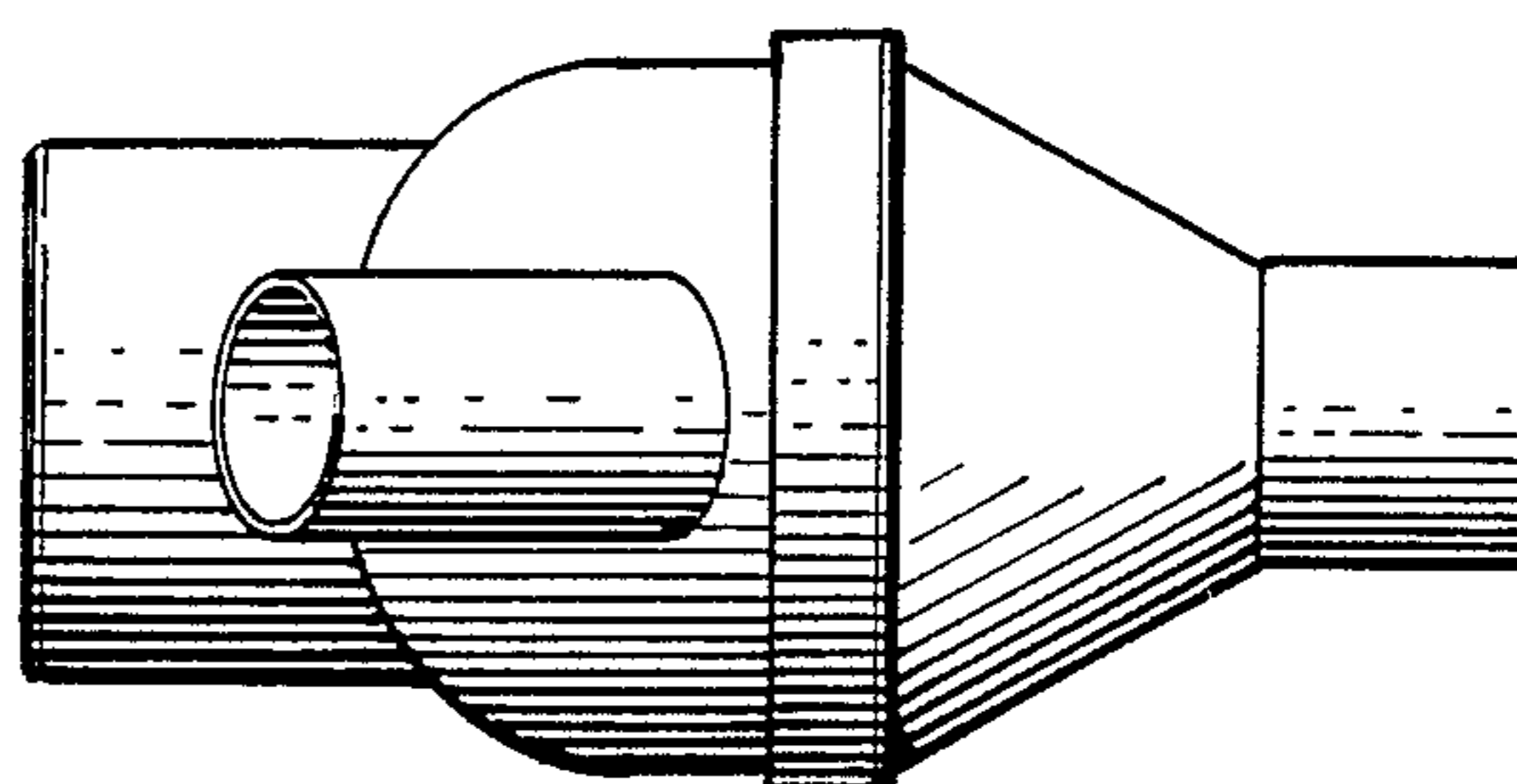


FIG. 4

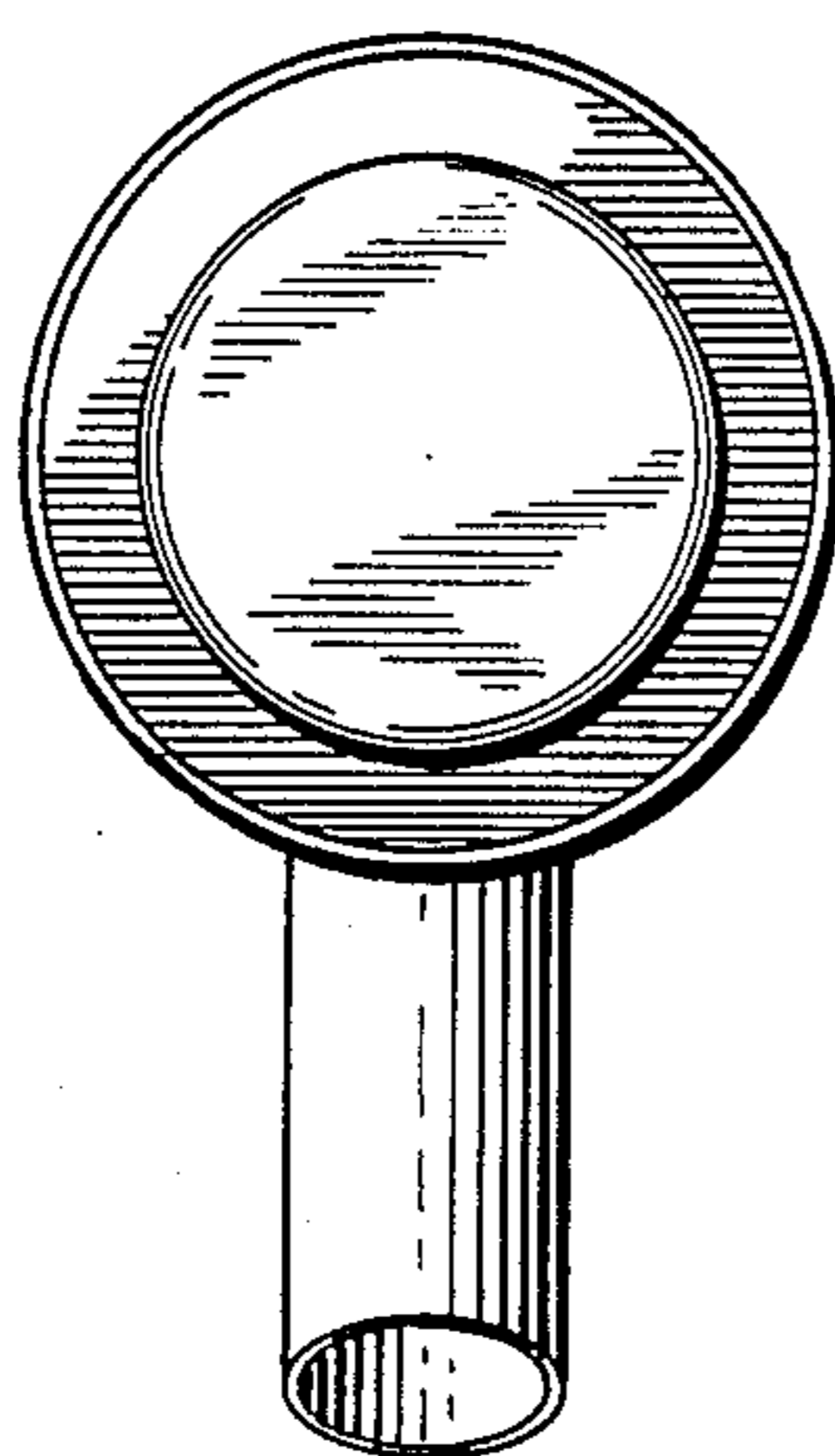


FIG. 5

