

[54] **SKATEBOARD WRENCH**

[76] **Inventor:** Aaron J. Klippel, 23941 Vista Way,  
Quail Valley, Calif. 92380

[\*\*] **Term:** 14 Years

[21] **Appl. No.:** 133,750

[22] **Filed:** Dec. 14, 1987

[52] **U.S. Cl.** ..... D8/105; D8/29;  
D8/26

[58] **Field of Search** ..... D8/14, 21-29,  
D8/105; 7/138, 139; 81/463, 466

[56] **References Cited**

**U.S. PATENT DOCUMENTS**

D. 210,748	4/1968	Sexauer	.....	D8/28
D. 241,114	8/1976	Hess	.....	D8/26
D. 243,506	3/1977	Hess	.....	D8/26

**OTHER PUBLICATIONS**

American Bicyclist & Motorcyclist Nov. 1975, p. 59,  
T-Bar Skateboard Wrench.

*Primary Examiner*—Bruce W. Dunkins  
*Assistant Examiner*—Clare E. Heflin  
*Attorney, Agent, or Firm*—Harvey S. Hertz

[57] **CLAIM**

The ornamental design for a skateboard wrench, as  
shown and described.

**DESCRIPTION**

FIG. 1 is a top, front and right side perspective view of  
the skateboard wrench showing my new design;  
FIG. 2 is a top plan view thereof;  
FIG. 3 is a bottom plan view thereof;  
FIG. 4 is a front elevational view thereof;  
FIG. 5 is a rear elevational view thereof;  
FIG. 6 is a right side elevational view thereof;  
FIG. 7 is a left side elevational view thereof.

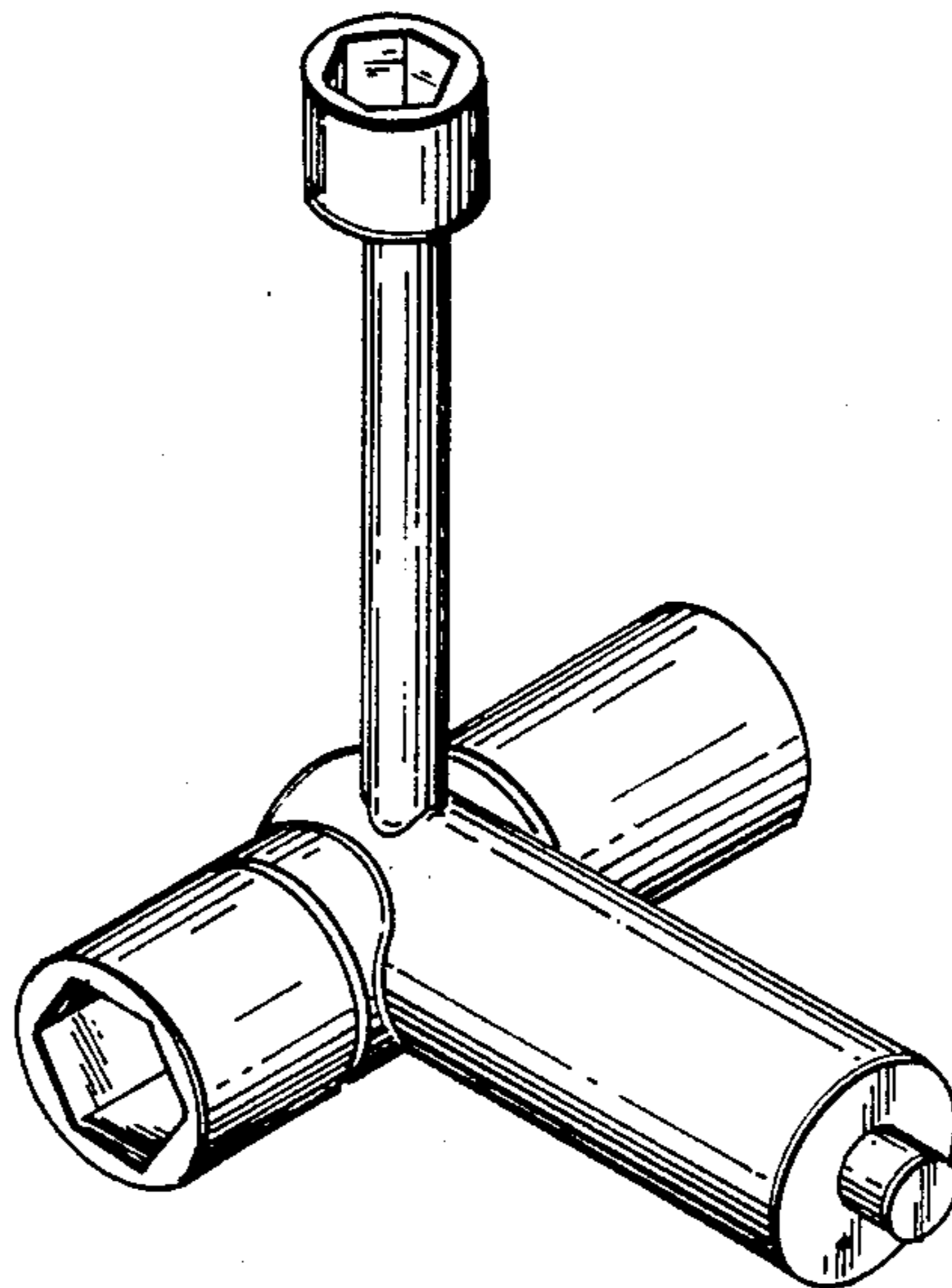


FIG. 2

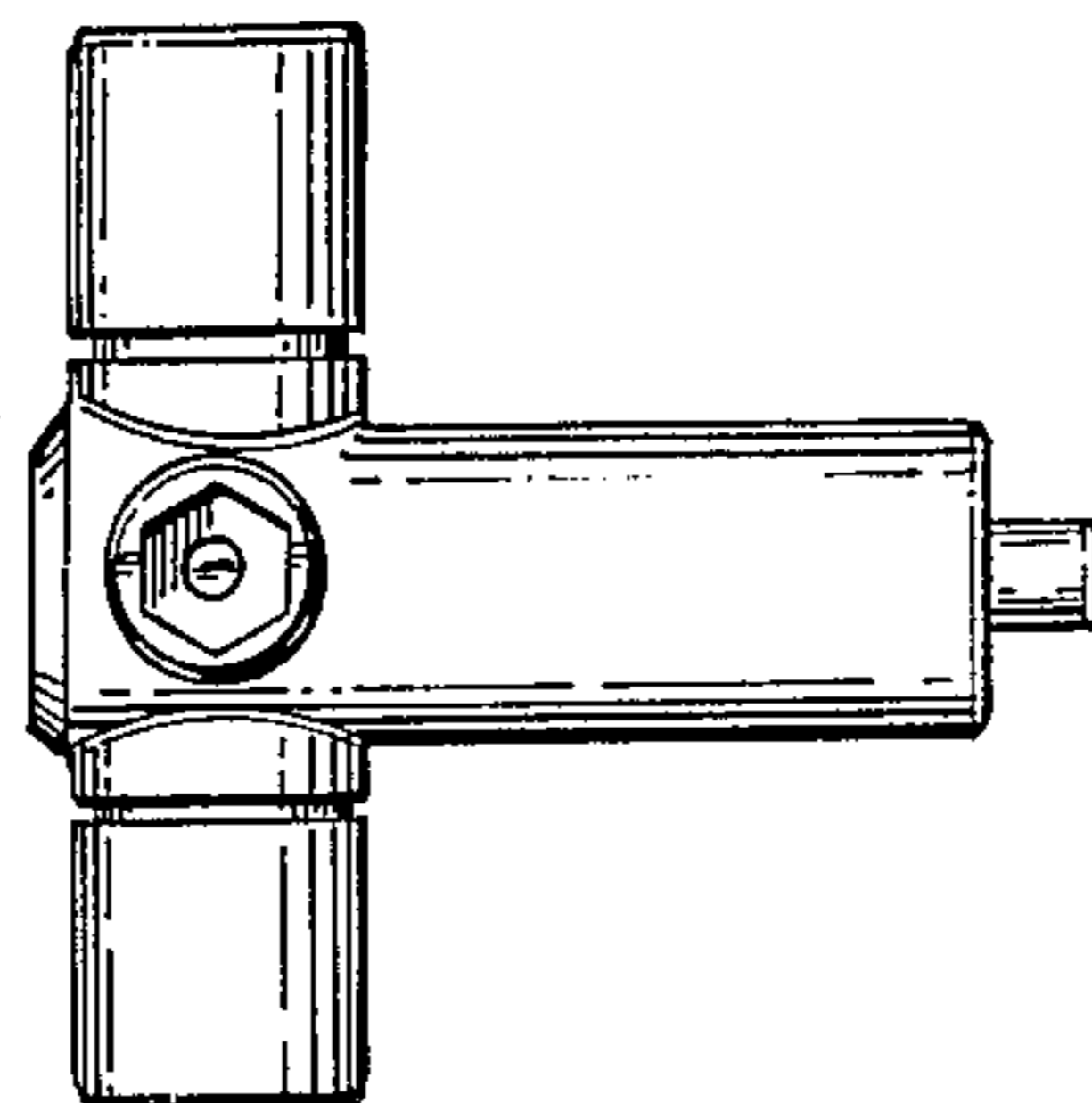


FIG. 3

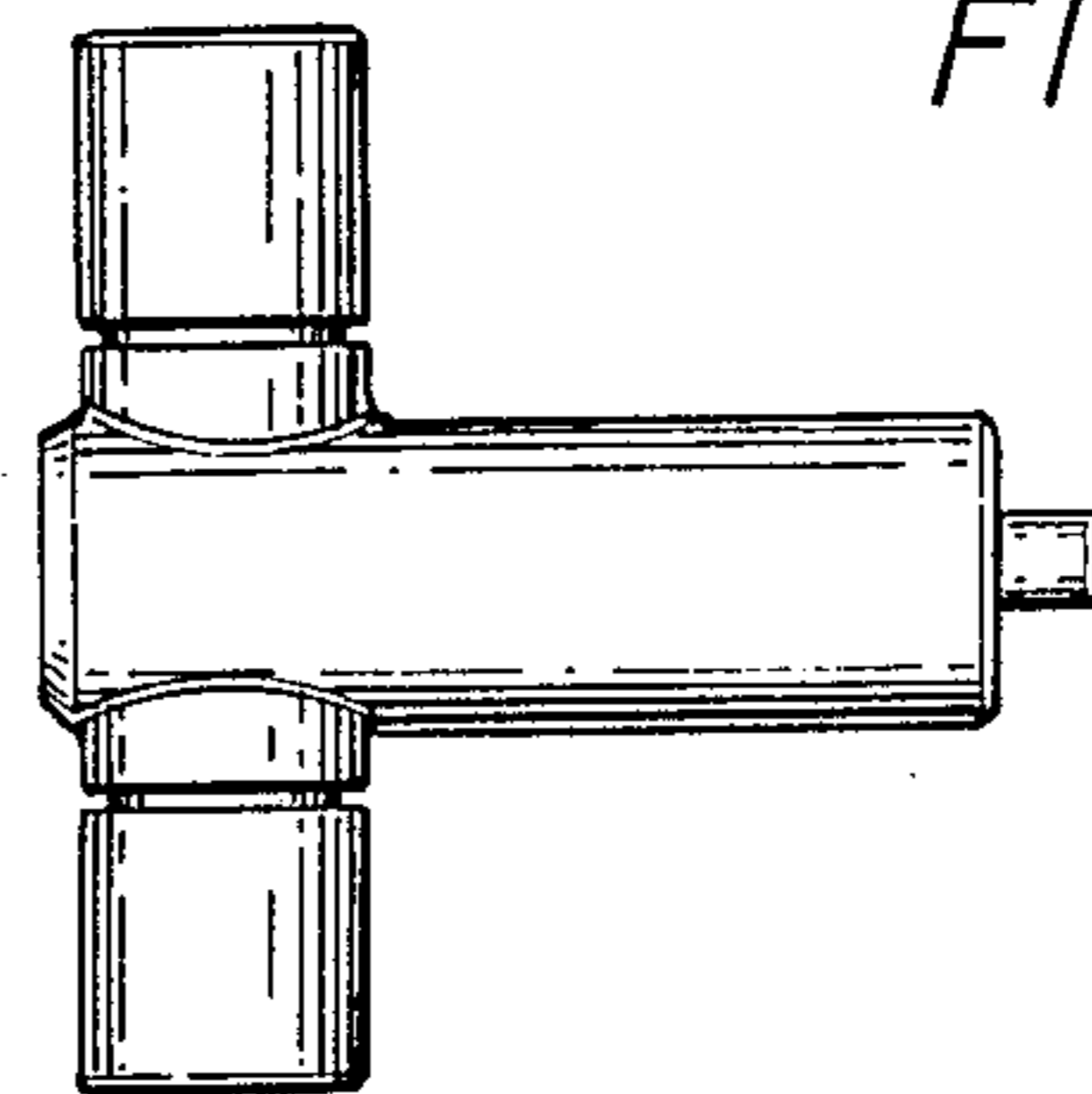


FIG. 1

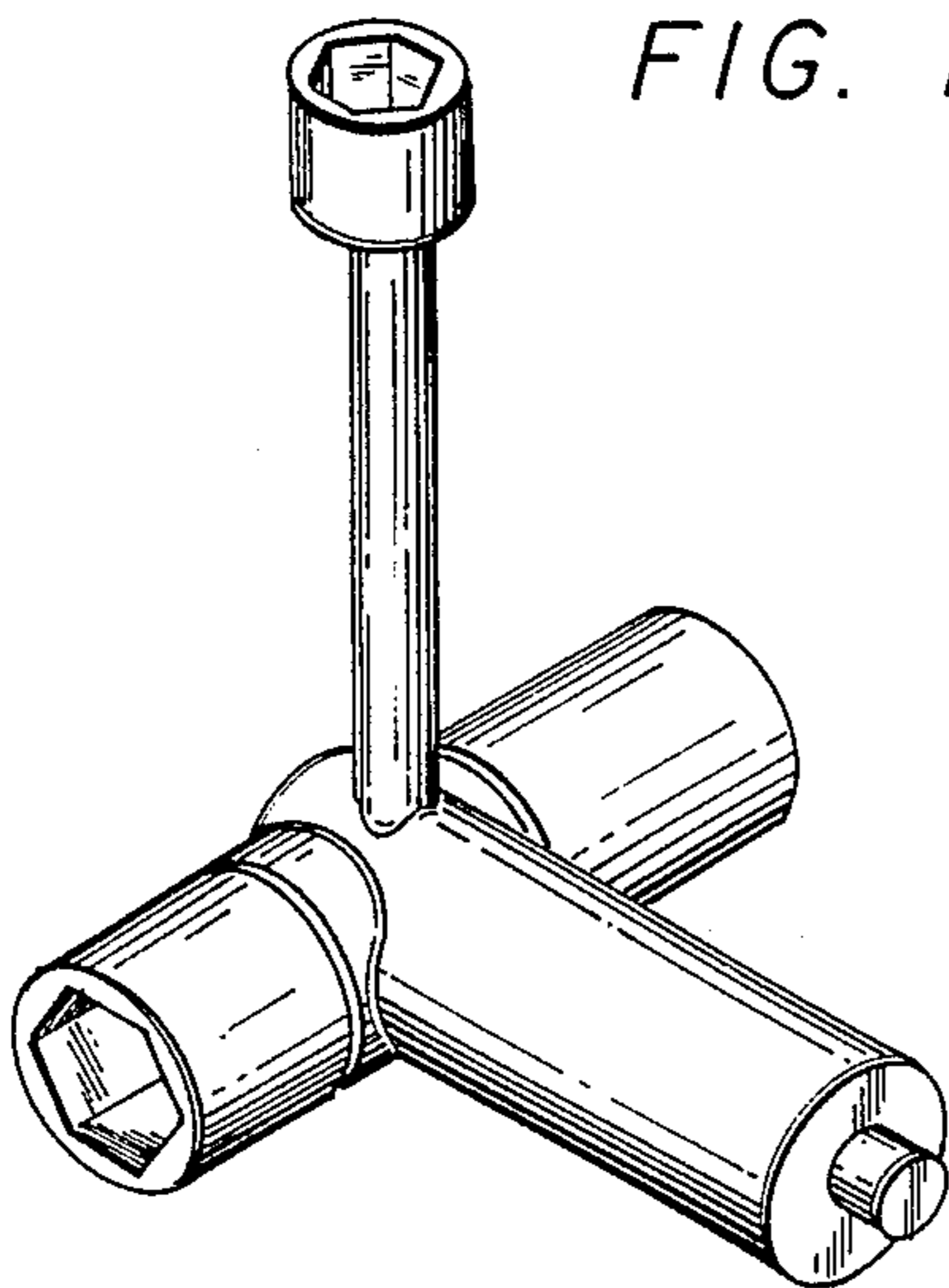


FIG. 4

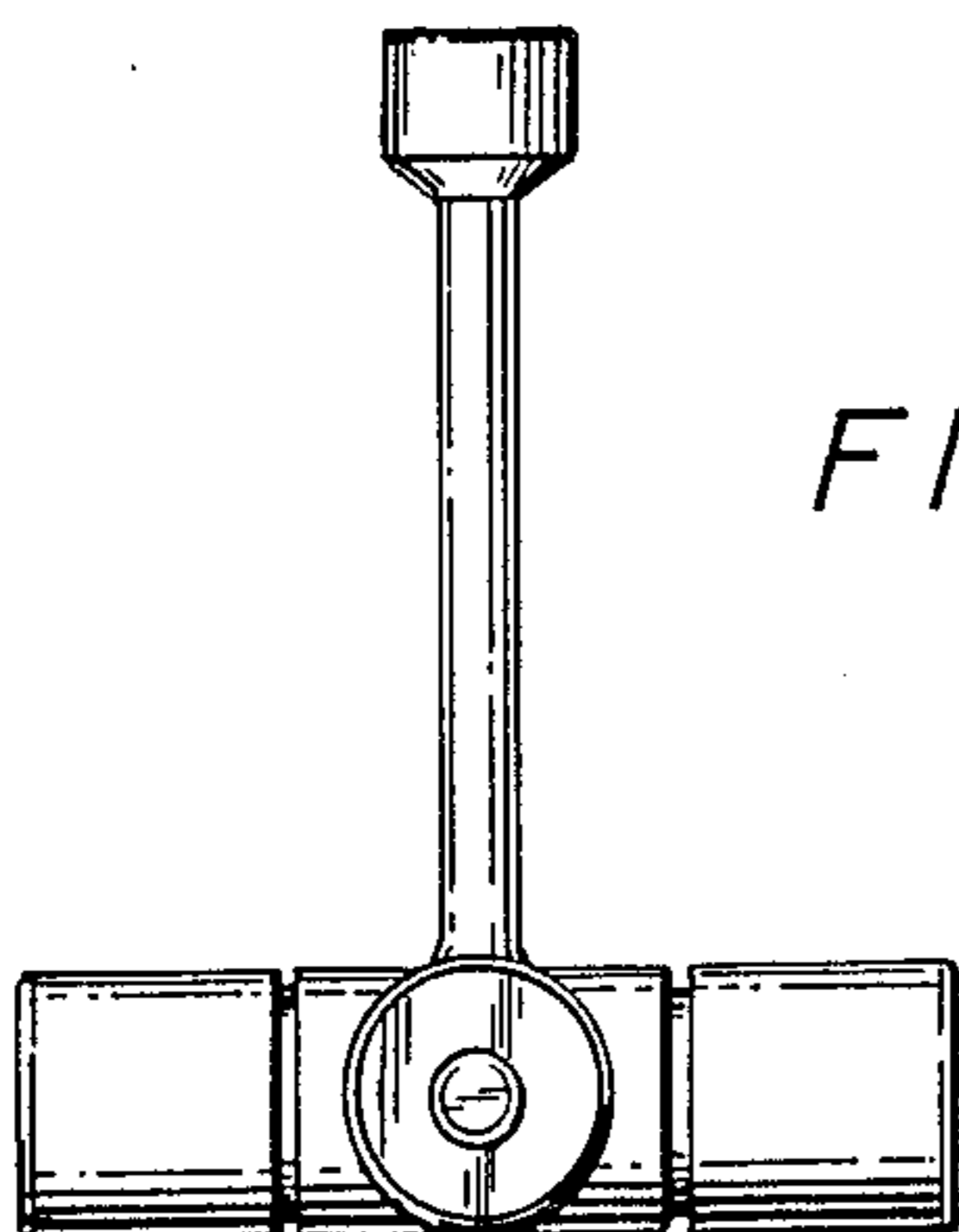


FIG. 5

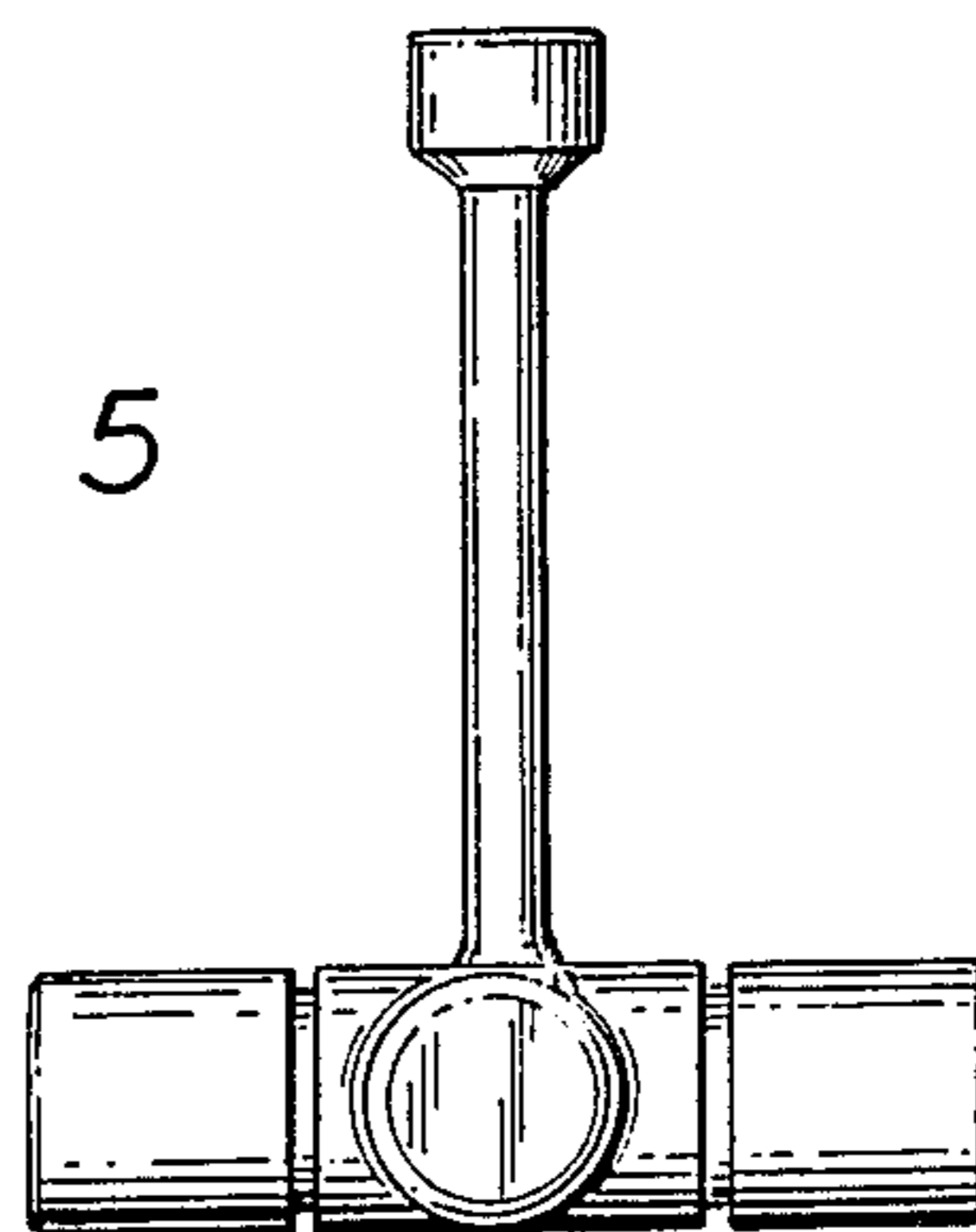


FIG. 7

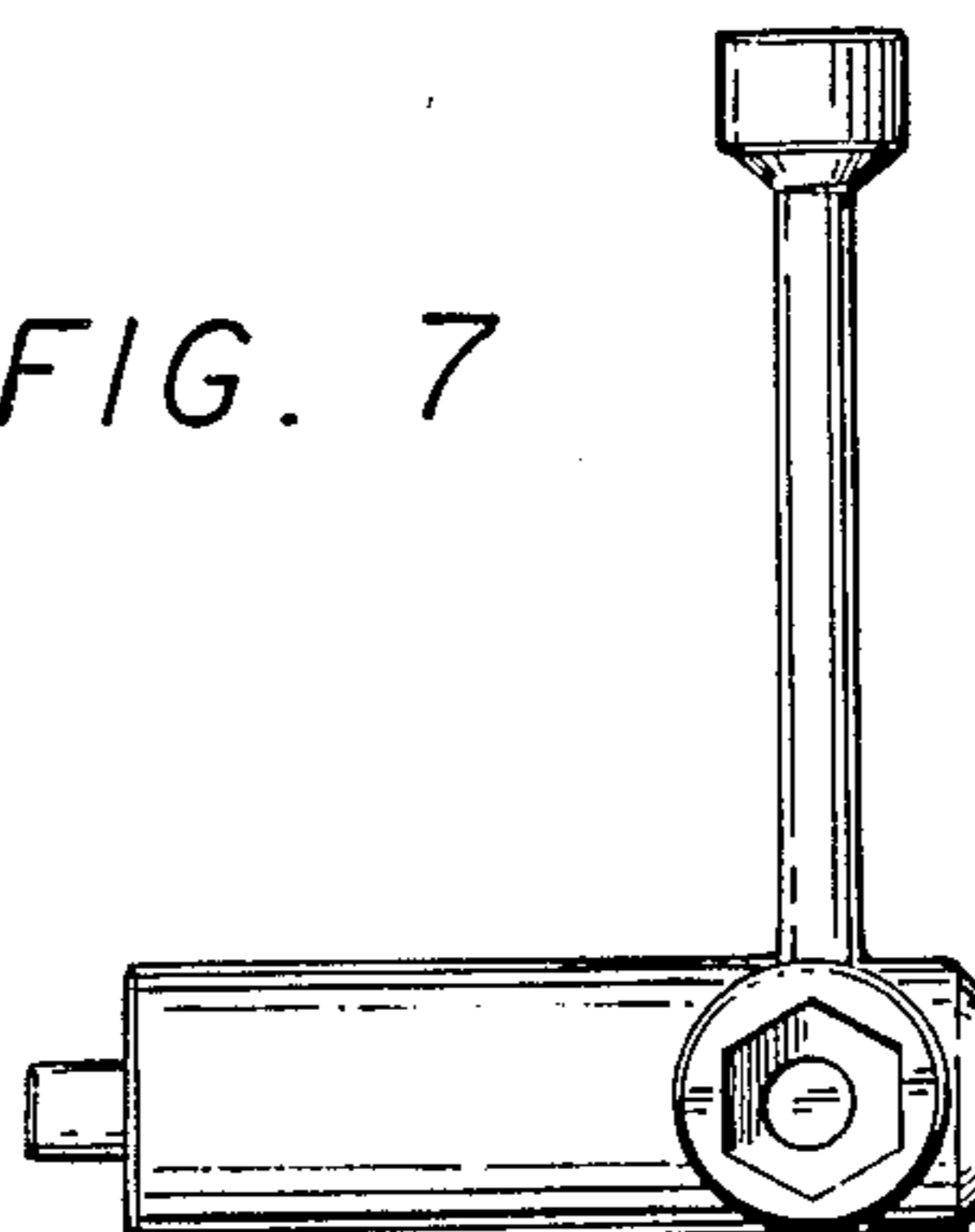


FIG. 6

