

[54] ATTACHMENT COVER FOR A PORTABLE CIRCULAR SAW

3,338,276 8/1967 Reed 30/370 X
4,608,477 8/1986 Deichelbohrer 30/388 X

[76] Inventor: Brad Makowsky, 22362 - 1st Ave., So. Laguna, Calif. 92677

FOREIGN PATENT DOCUMENTS

729429 3/1966 Canada 83/471.2

[**] Term: 14 Years

Primary Examiner—Bruce W. Dunkins
Assistant Examiner—Jeffrey Asch
Attorney, Agent, or Firm—George J. Netter

[21] Appl. No.: 23,471

[22] Filed: Mar. 9, 1987

[52] U.S. Cl. D8/70; D15/133

[58] Field of Search D15/133, 138; D8/64, D8/66, 70; 30/370, 388, 390; 83/471.2, 440.2; 144/251 R

[57] CLAIM

The ornamental design for an attachment cover for a portable circular saw, as shown and described.

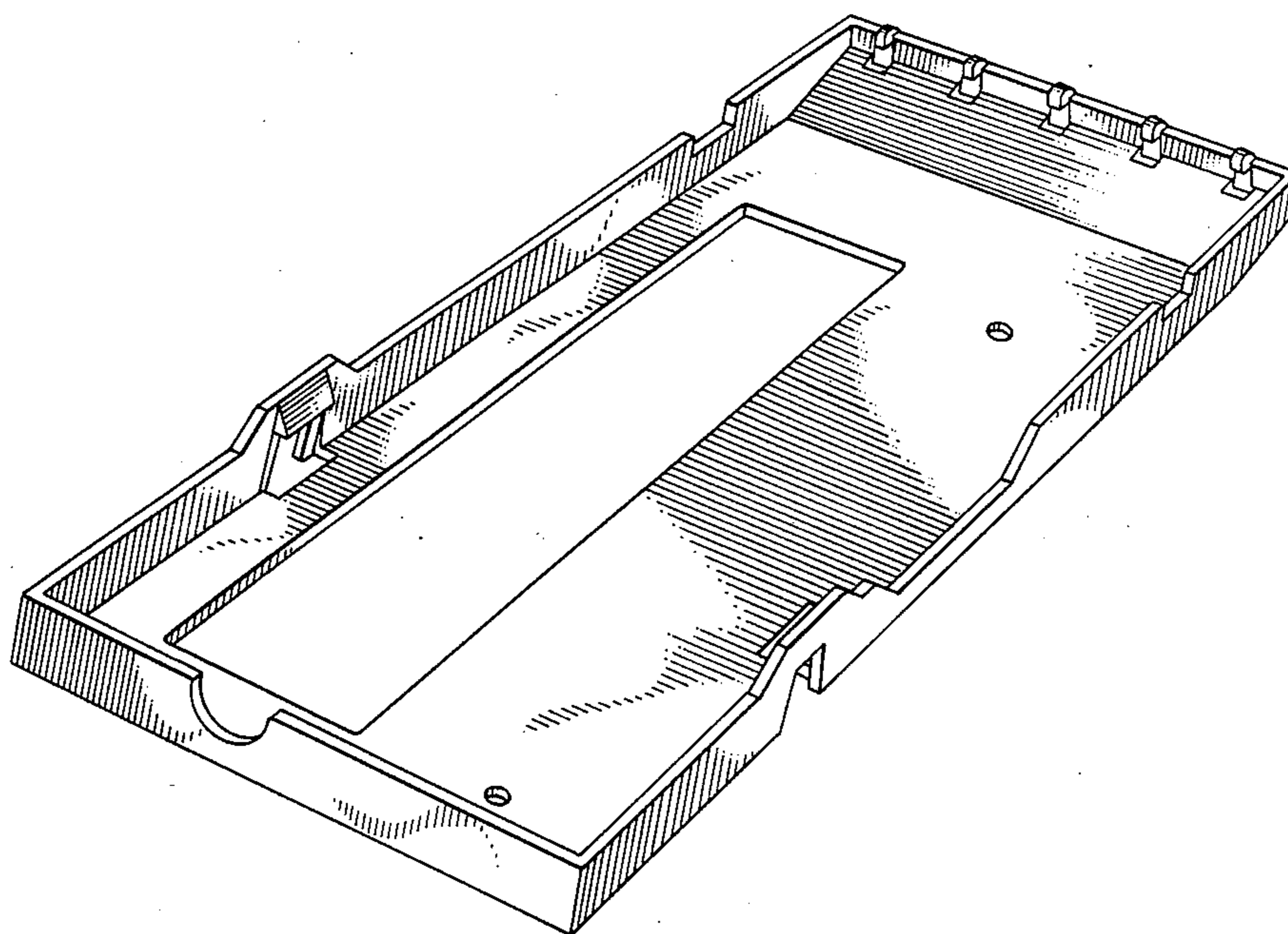
DESCRIPTION

[56] References Cited

U.S. PATENT DOCUMENTS

D. 177,558	5/1956	Dolan	D8/66
D. 203,434	1/1966	Rawson et al.	D8/66
D. 262,772	1/1982	Glass et al.	D8/66
D. 264,548	5/1982	Krosunger	D8/70
D. 281,663	12/1985	Tsuru et al.	D8/66
2,790,468	4/1957	Wilhide	144/251 R

FIG. 1 is a perspective view of an attachment cover for a portable circular saw showing my design;
FIG. 2 is a front elevational view;
FIG. 3 is a left side elevational view;
FIG. 4 is a rear elevational view;
FIG. 5 is a right side elevational view;
FIG. 6 is a top plan view; and
FIG. 7 is a bottom plan view.



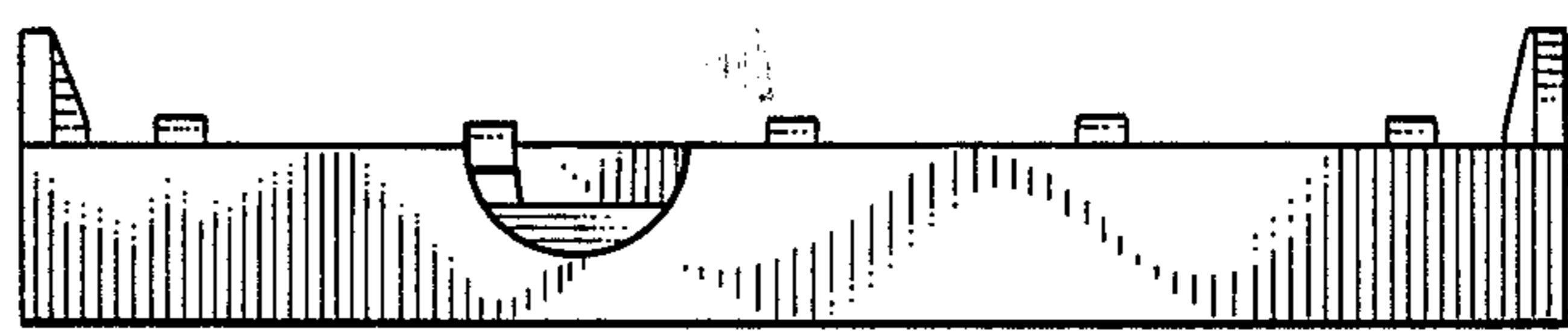
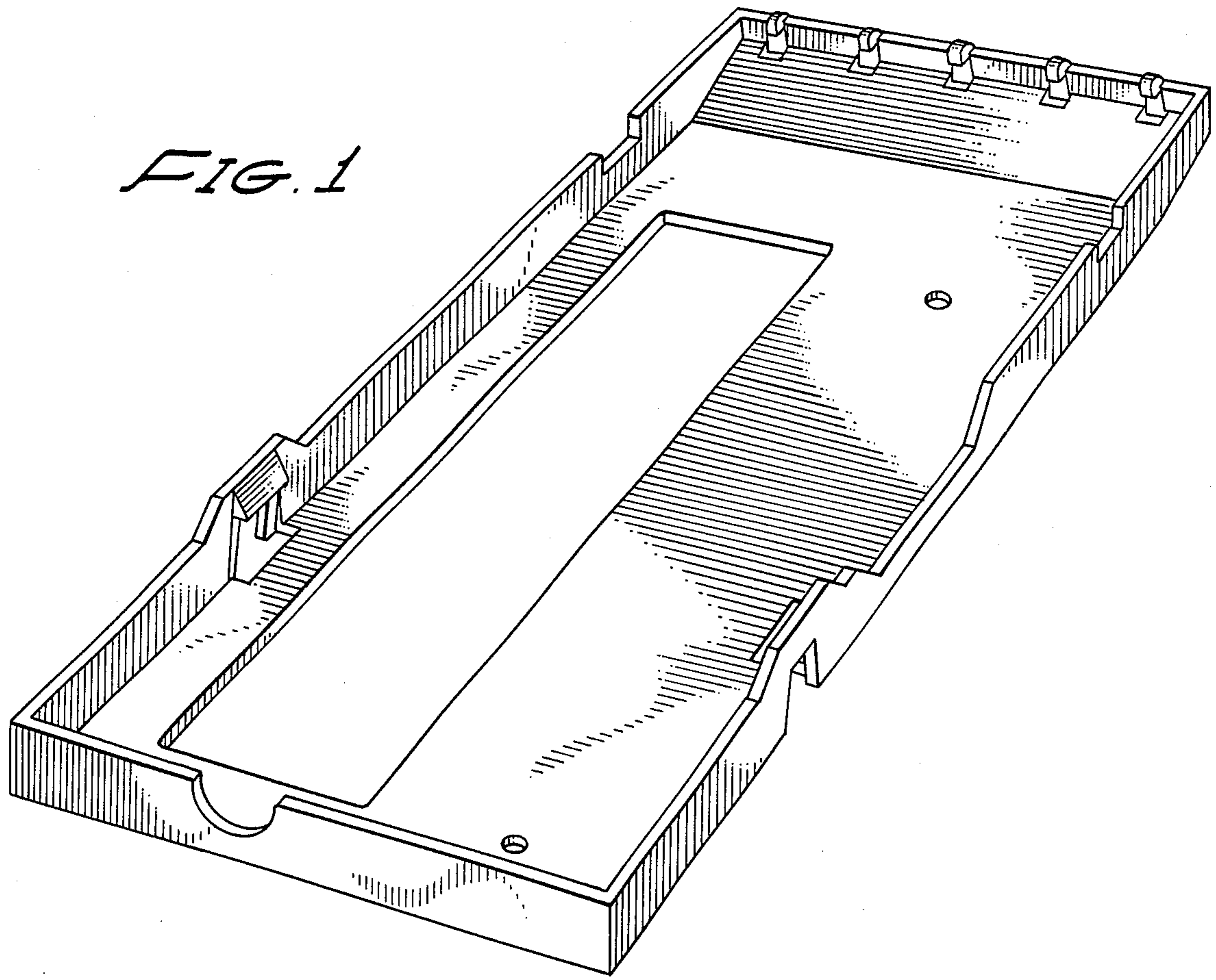


FIG. 2

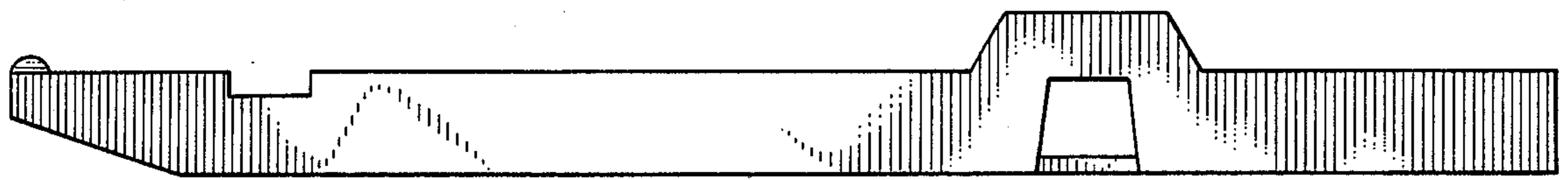


FIG. 3

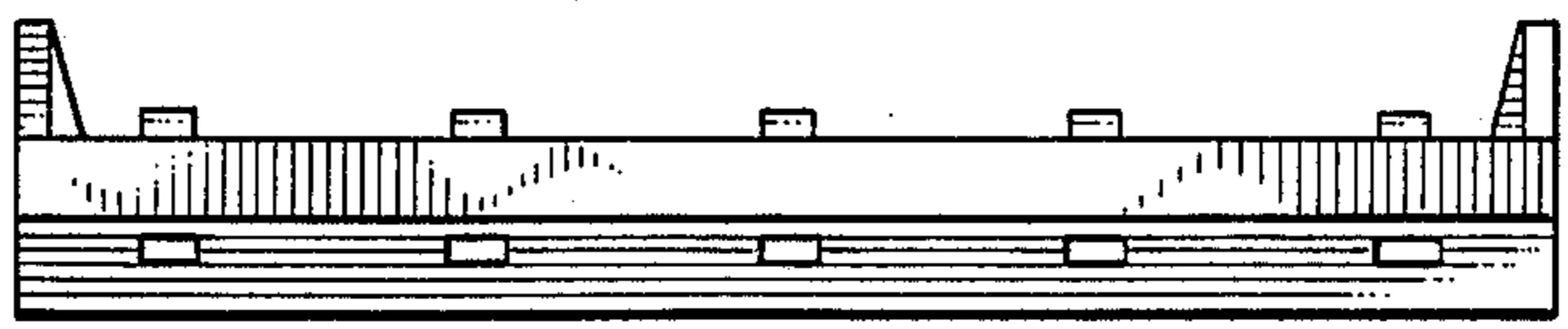


FIG. 4

FIG. 5

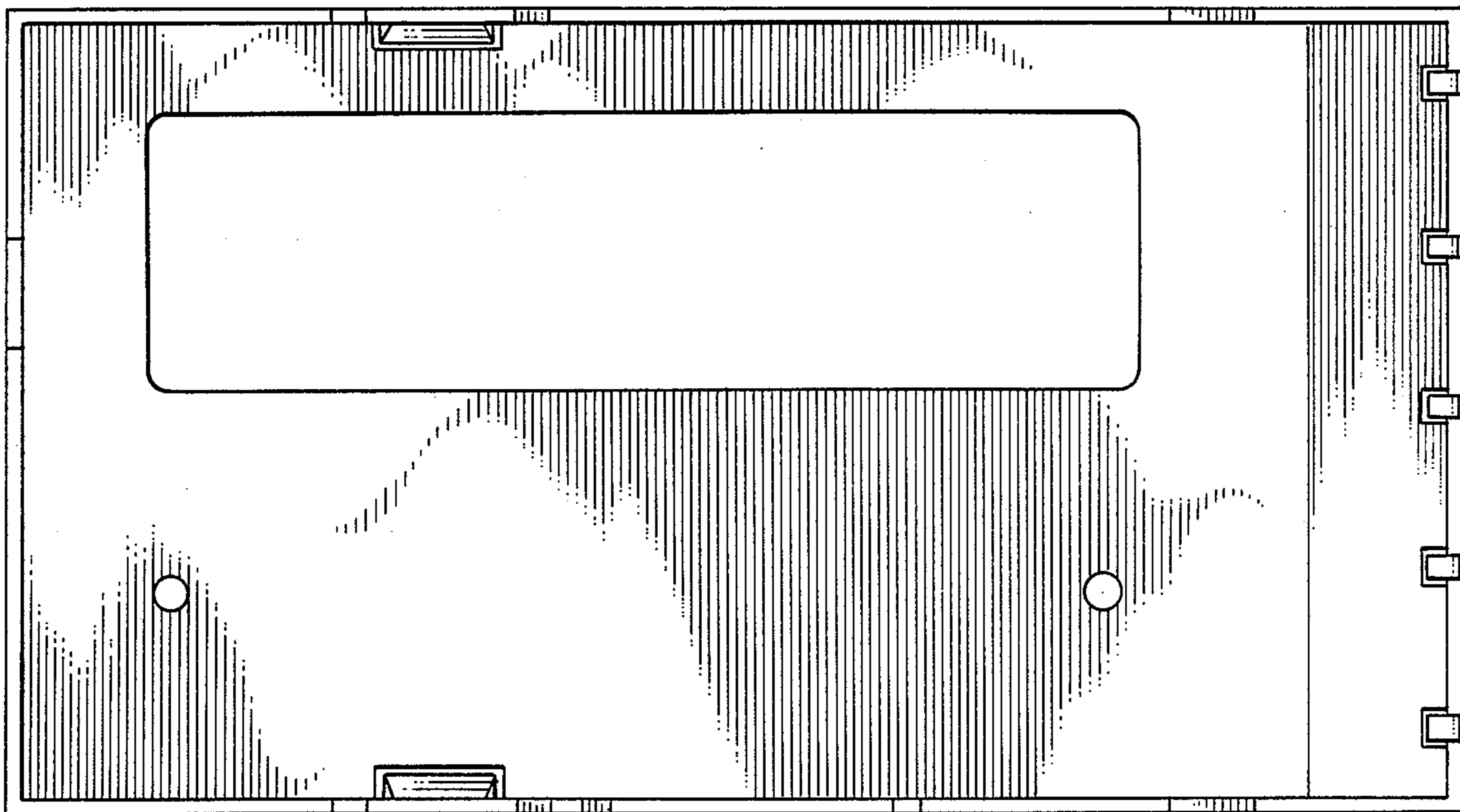


FIG. 6

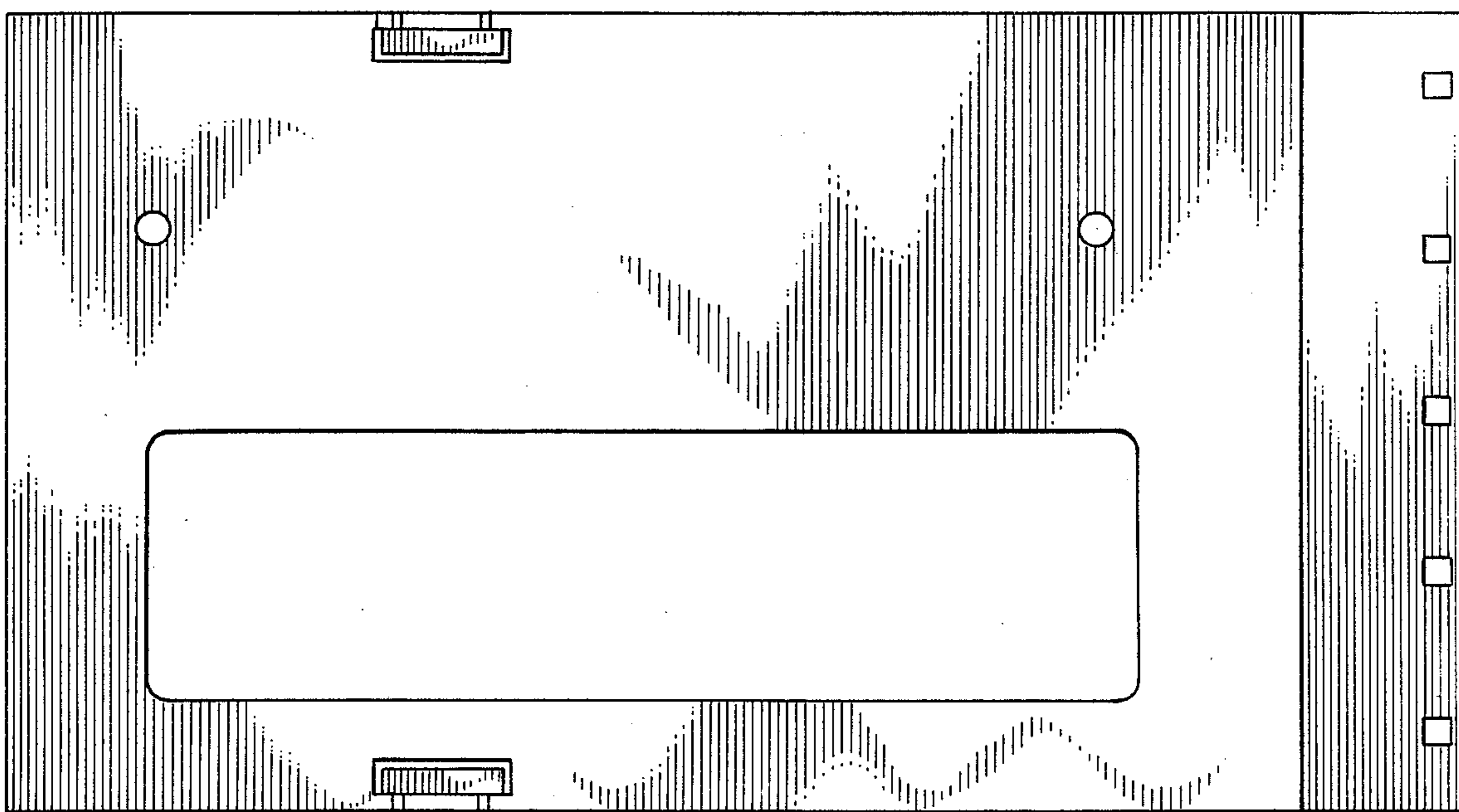


FIG. 7