

[54] **PANEL MOUNTED FISH HOOK
SHARPENER**

[76] **Inventor: Darrell J. Lehmann, 2033 Cap Rock,
Richardson, Tex. 75080**

[**] **Term: 14 Years**

[21] **Appl. No.: 871,625**

[22] **Filed: Jun. 6, 1986**

[52] **U.S. Cl. D8/62; D8/91**

[58] **Field of Search D8/61, 62, 67, 69, 70,
D8/90-93; 51/170 T, 170 R, 170 TL, 170 EB,
170 MT, 177, 72 R, 74 R; D15/125**

[56] **References Cited**

U.S. PATENT DOCUMENTS

D. 271,771 12/1983 Lehmann D15/125
D. 278,968 5/1985 Farmer, Sr. D15/125 X
4,050,194 9/1977 Rice D15/125 X

Primary Examiner—Bruce W. Dunkins

Assistant Examiner—Clare E. Heflin

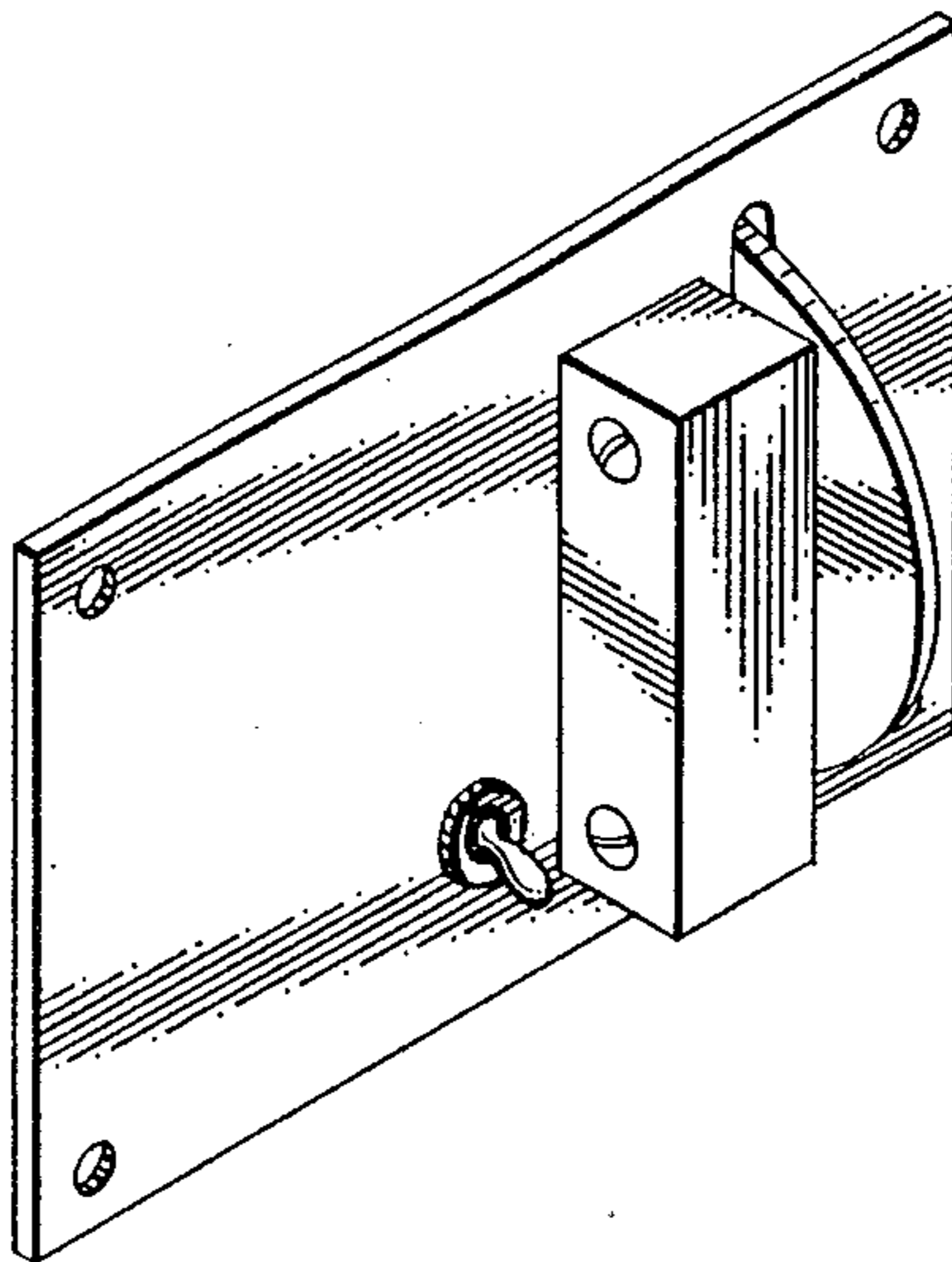
Attorney, Agent, or Firm—John F. Booth; Gerald G.
Crutsinger; Norman L. Gundel

[57] **CLAIM**

The ornamental design for a panel mounted fish hook sharpener, as shown and described.

DESCRIPTION

FIG. 1 is a right side isometric view of the panel mounted fish hook sharpener; and FIG. 2 is a left side isometric view thereof.



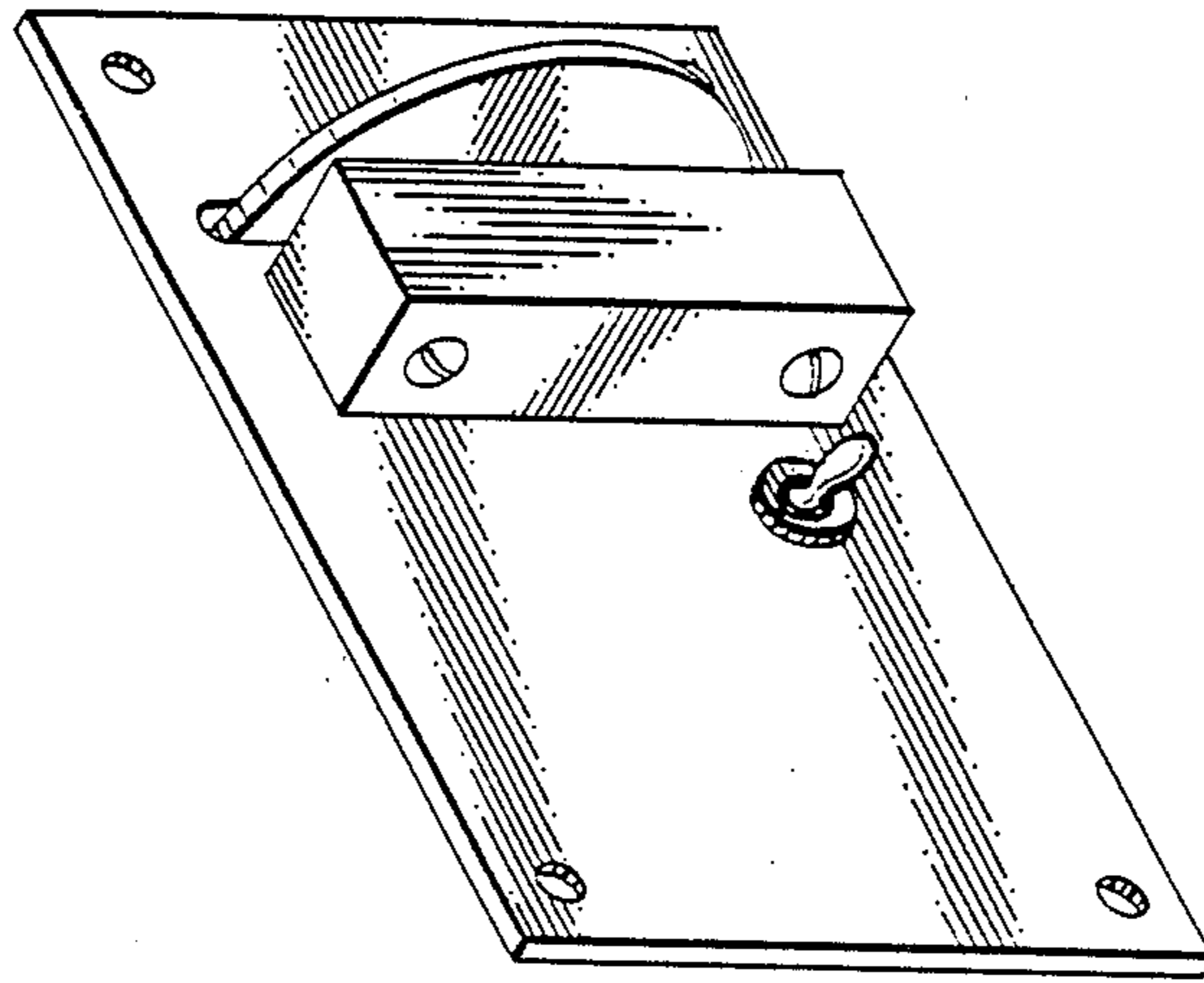


FIG. 2

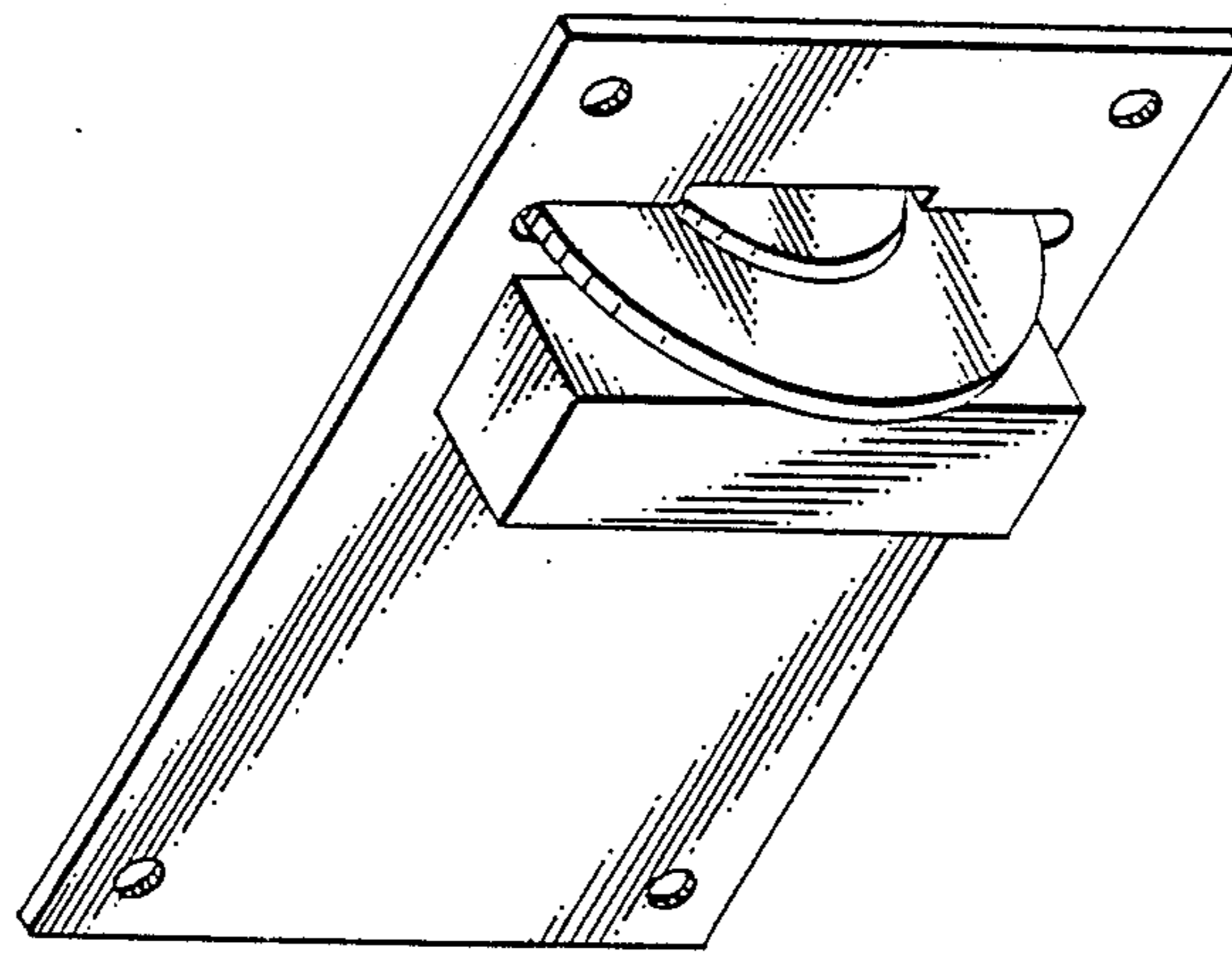


FIG. 1