

**United States Patent** [19]  
**Wingert**

[11] **Patent Number: Des. 308,323**  
[45] **Date of Patent: \*\* Jun. 5, 1990**

[54] **STAPLE GUN**

[75] **Inventor: Rudolf Wingert, W. Milford, N.J.**

[73] **Assignee: Arrow Fastener Co., Inc., Saddle Brook, N.J.**

[\*\*] **Term: 14 Years**

[21] **Appl. No.: 222,226**

[22] **Filed: Jul. 21, 1988**

[52] **U.S. Cl. .... D8/49**

[58] **Field of Search ..... D8/49, 50; 227/120, 227/127-128, 130-132**

[56]

**References Cited**

**U.S. PATENT DOCUMENTS**

D. 287,094 12/1986 Jacoff ..... D8/49  
4,552,296 11/1985 Sheng ..... 227/132 X

*Primary Examiner*—Bernard Ansher  
*Assistant Examiner*—Terry A. Pfeffer  
*Attorney, Agent, or Firm*—Pasquale A. Razzano

[57]

**CLAIM**

The ornamental design for a staple gun, as shown.

**DESCRIPTION**

FIG. 1 is a front elevational view of a staple gun showing my new design;

FIG. 2 is a rear elevational view thereof;

FIG. 3 is a right side elevational view thereof;

FIG. 4 is a left side elevational view thereof;

FIG. 5 is a top plan view thereof; and

FIG. 6 is a bottom plan view thereof.

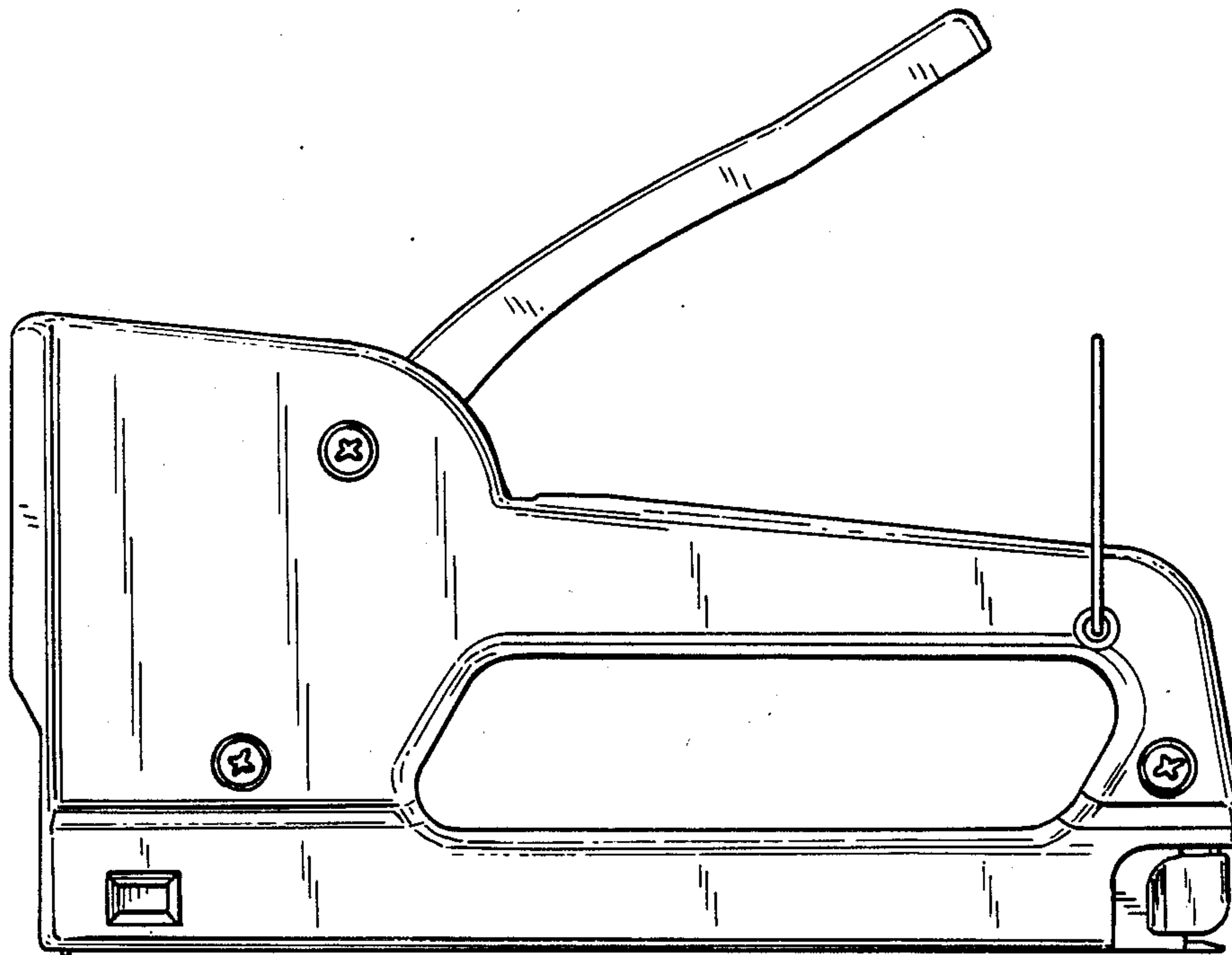


FIG. 1

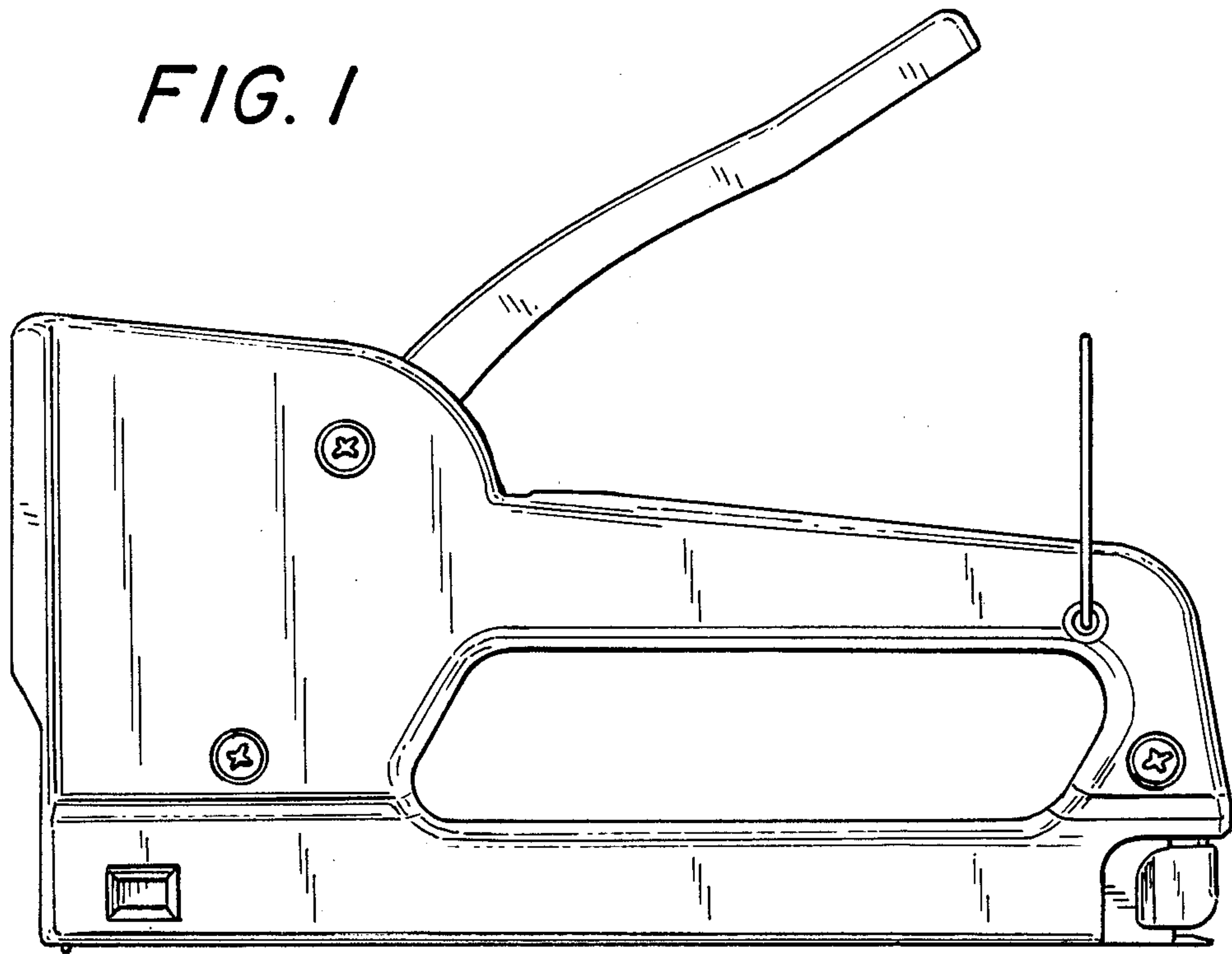


FIG. 4

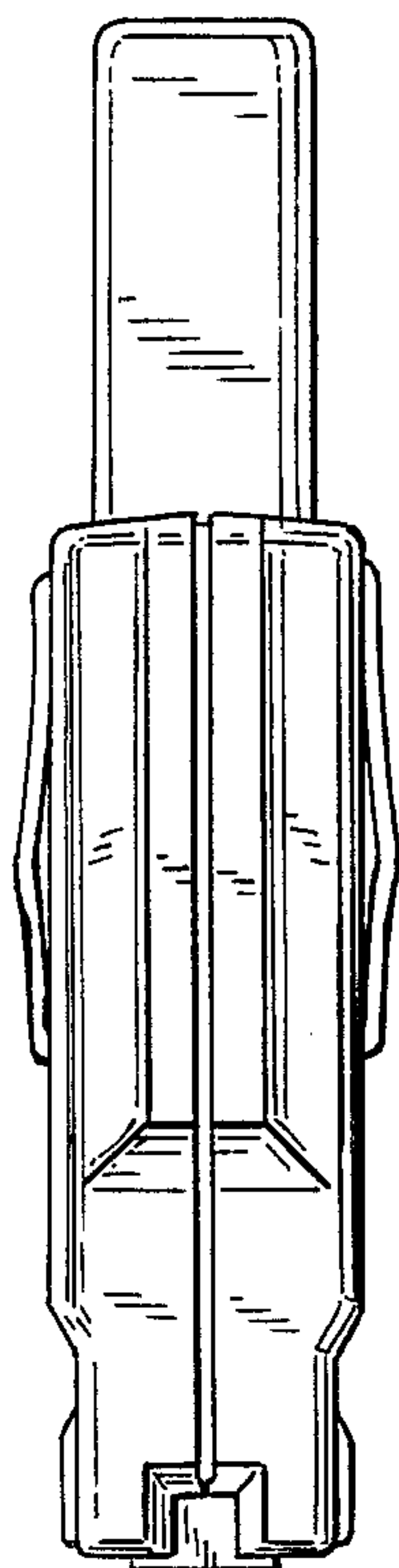


FIG. 3

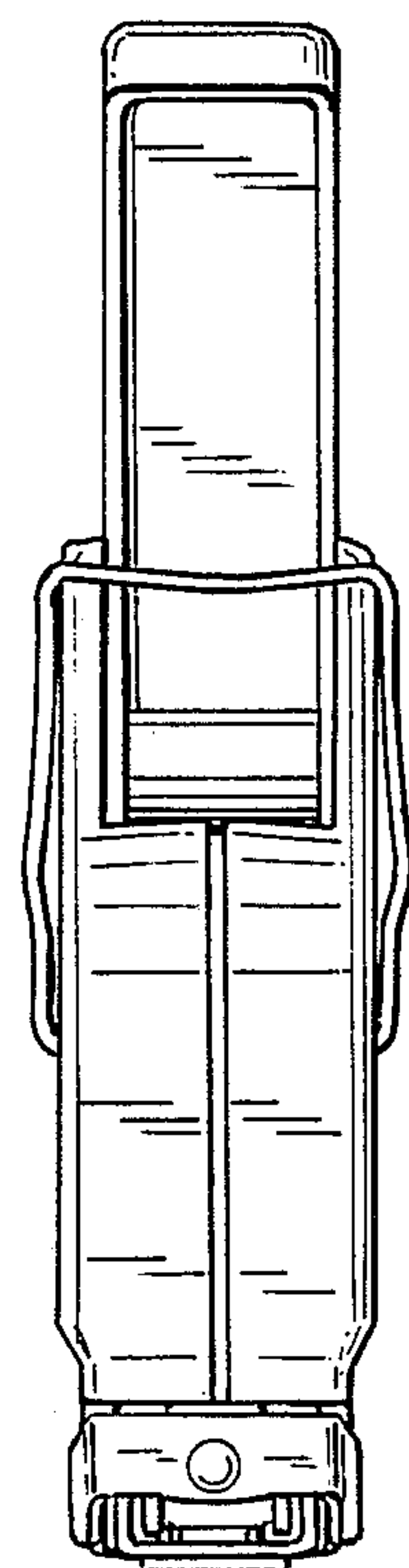


FIG. 2

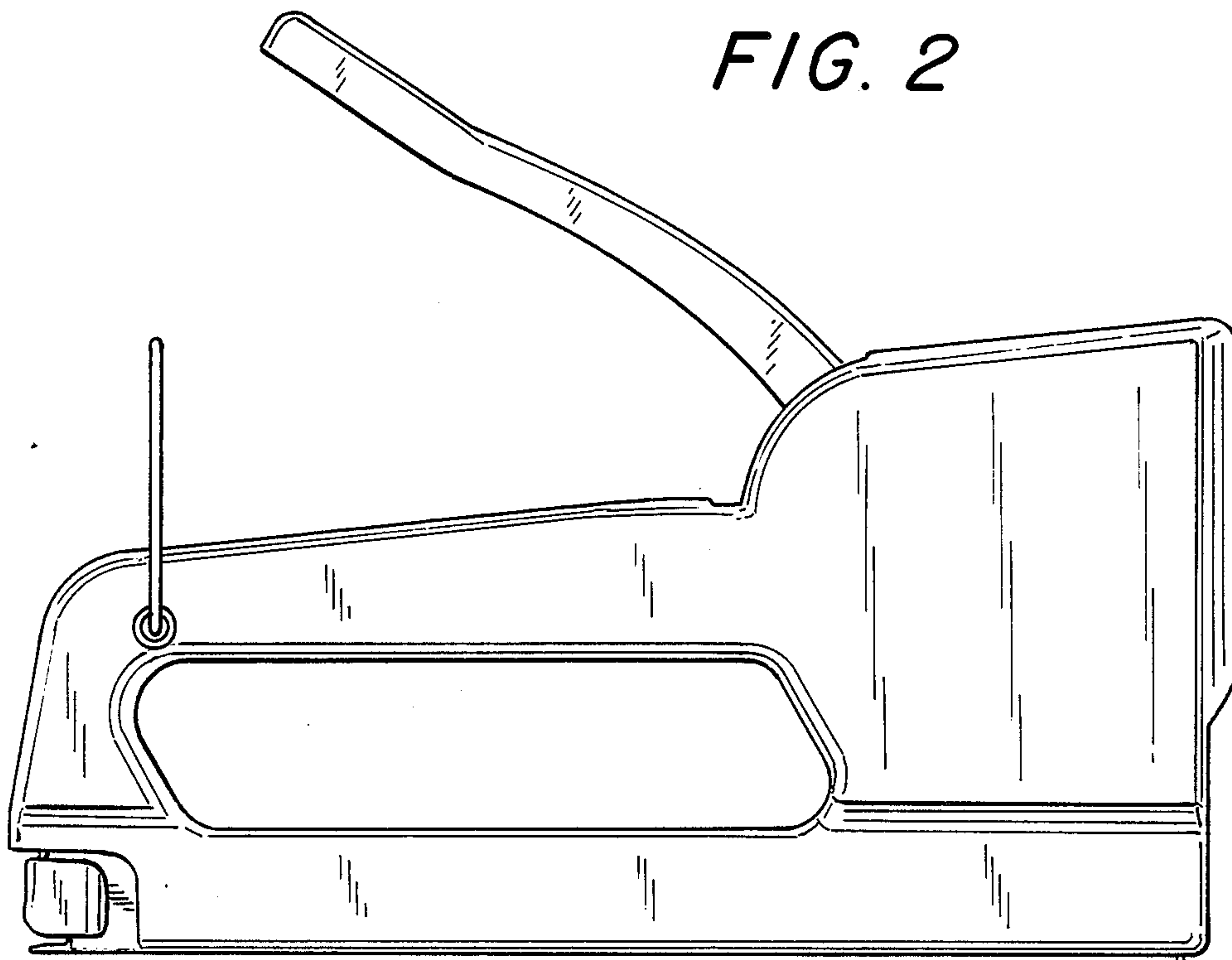


FIG. 5

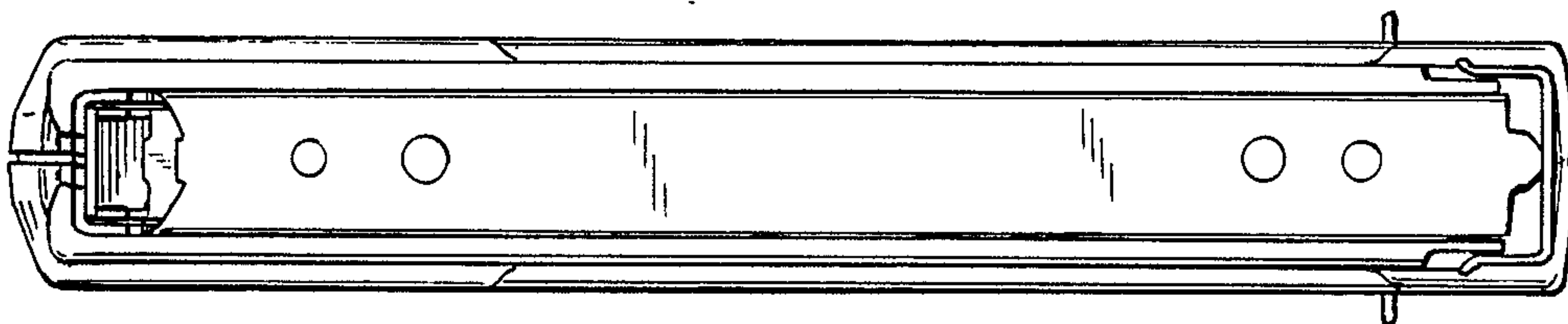


FIG. 6

