

[54] **FOOTBALL LUNCHBOX**

[75] **Inventor: William R. Raucci, Philadelphia, Pa.**

[73] **Assignee: Larami Corporation, Philadelphia, Pa.**

[**] **Term: 14 Years**

[21] **Appl. No.: 186,118**

[22] **Filed: Jul. 5, 1988**

[52] **U.S. Cl. D7/627; 206/457;
D3/44**

[58] **Field of Search D7/76.5, 80; D21/204;
D9/307; 206/541, 457; D3/36.1, 44**

[56] **References Cited**

U.S. PATENT DOCUMENTS

D. 251,284 3/1979 Weaver D7/76

D. 253,330 11/1979 Weaver D7/76

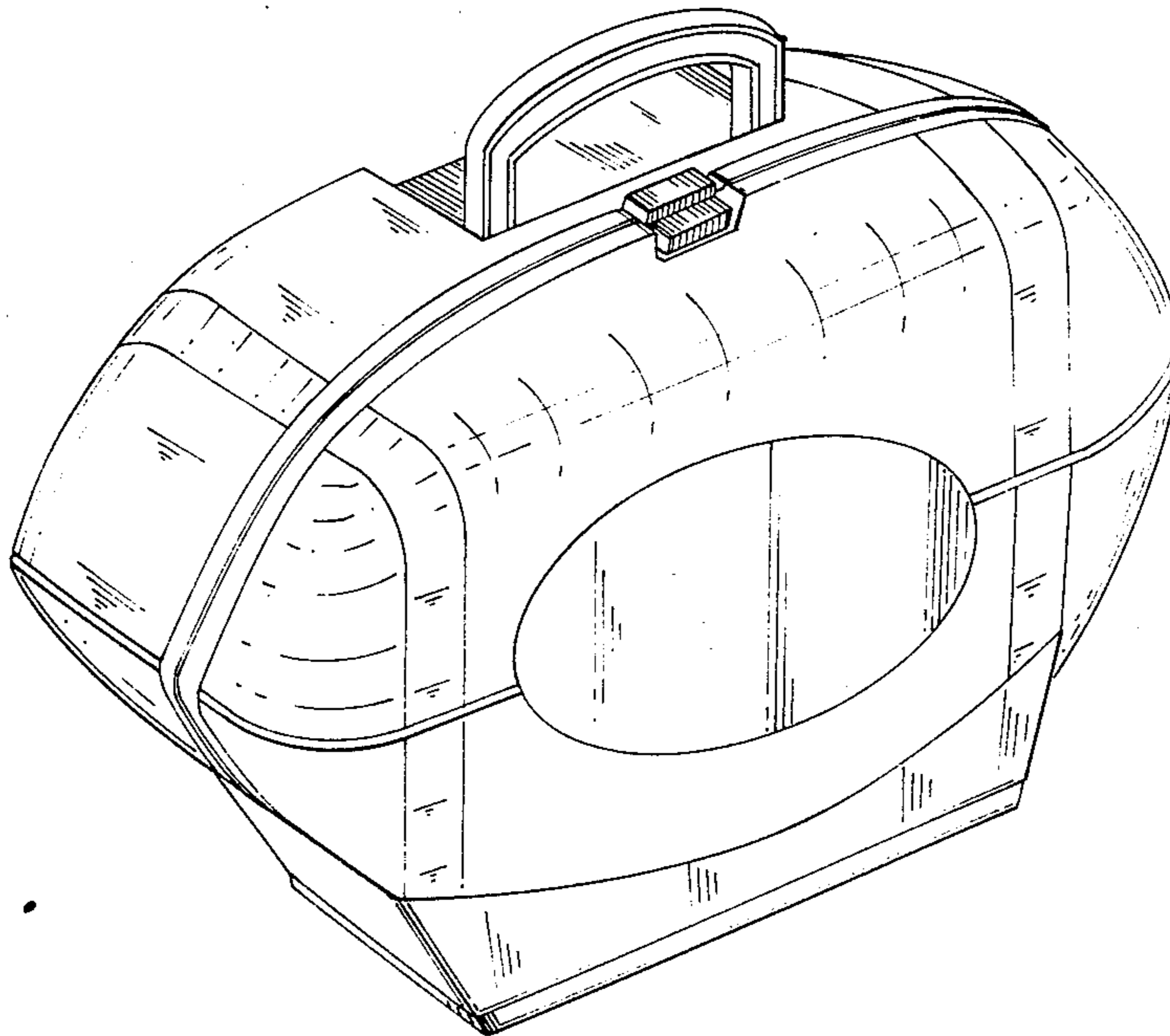
Primary Examiner—Bernard Ansher
Assistant Examiner—Terry A. Pfeffer
Attorney, Agent, or Firm—Kenneth P. Glynn

[57] **CLAIM**

The ornamental design for a football lunchbox, as shown.

DESCRIPTION

FIG. 1 is a front elevational view of a football lunchbox showing my new design;
FIG. 2 is a rear elevational view thereof;
FIG. 3 is a left side elevational view thereof;
FIG. 4 is a right side elevational view thereof;
FIG. 5 is a top plan view thereof;
FIG. 6 is a bottom plan view thereof; and
FIG. 7 is a perspective view thereof.



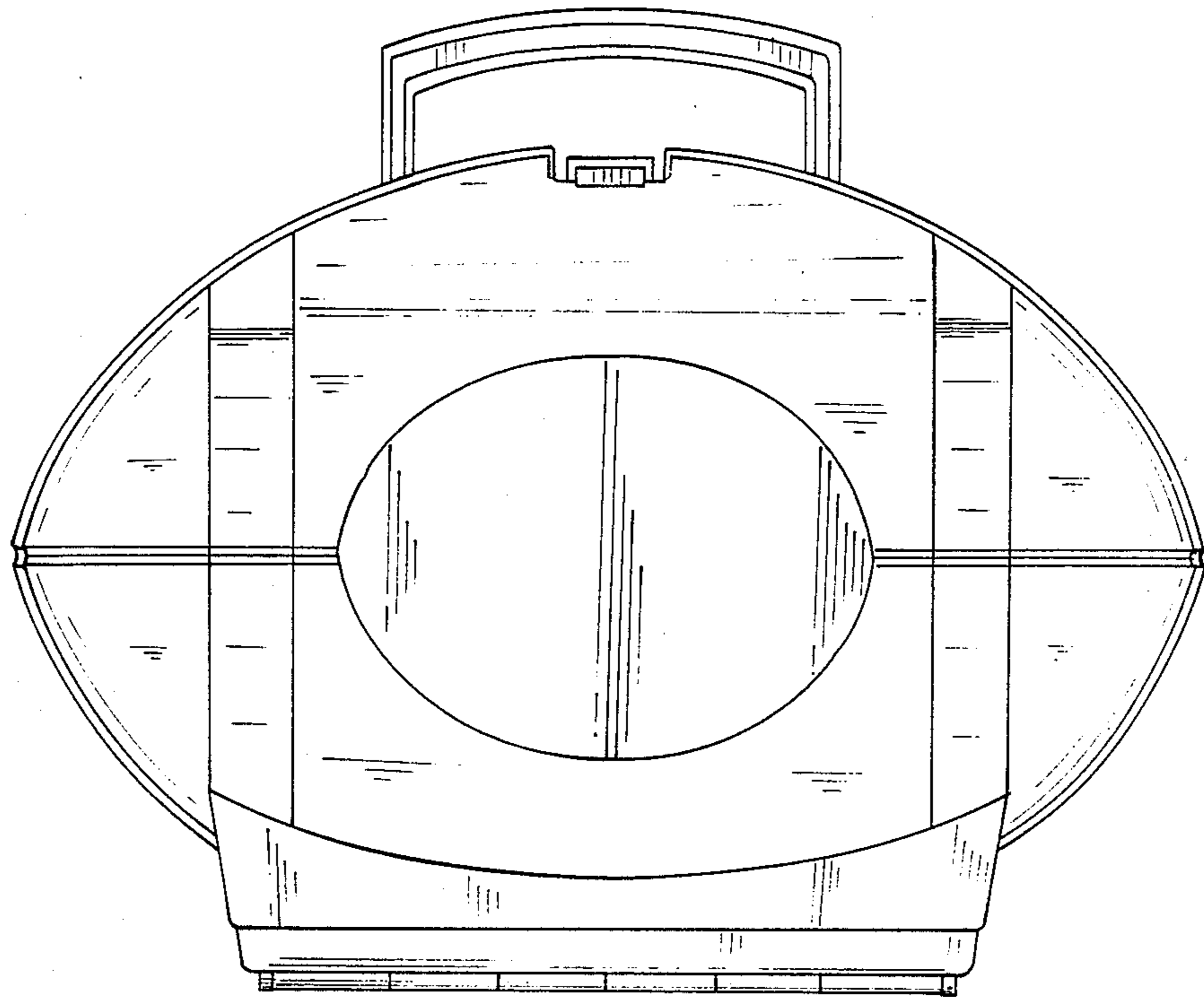


FIG. 1

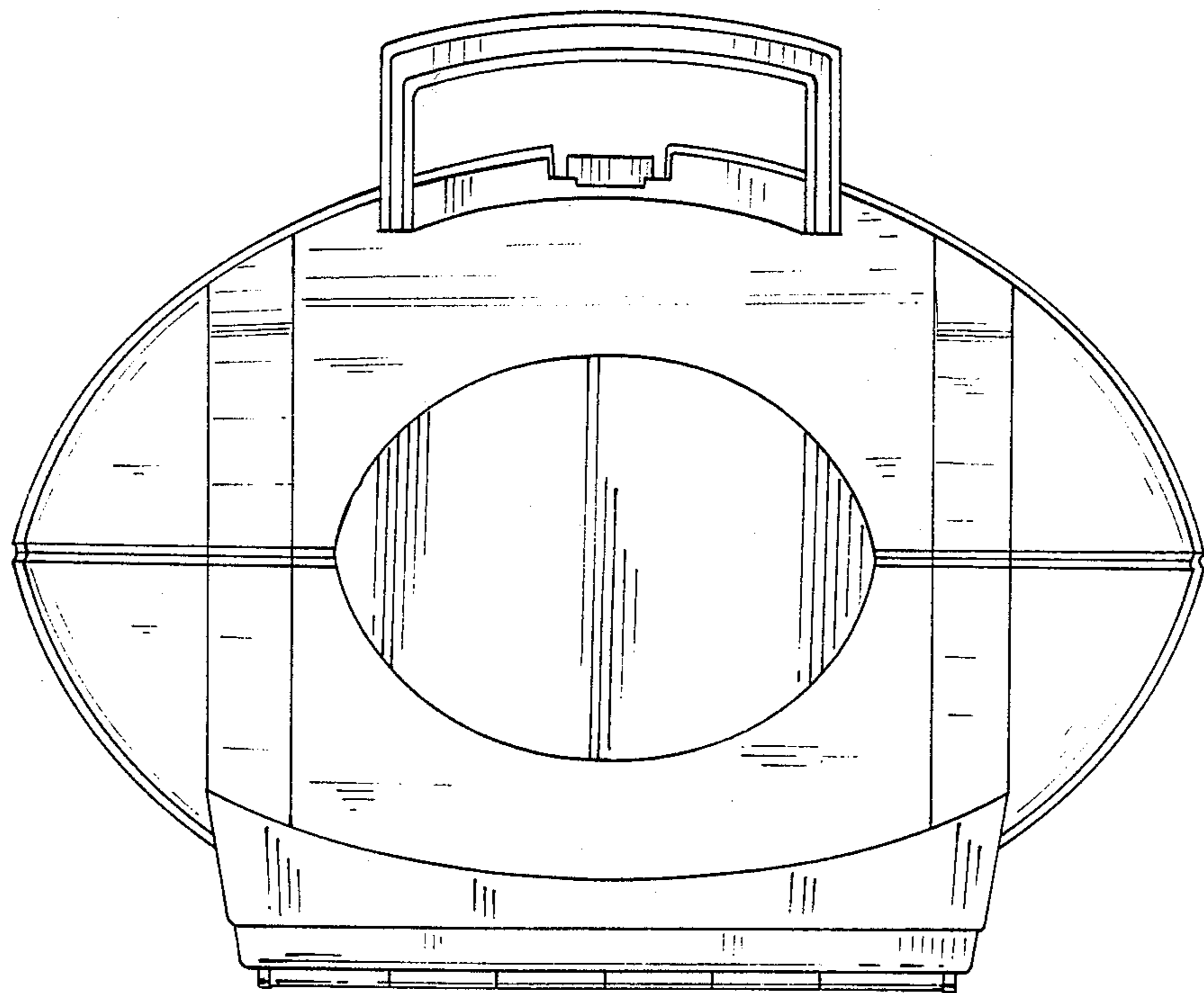


FIG. 2

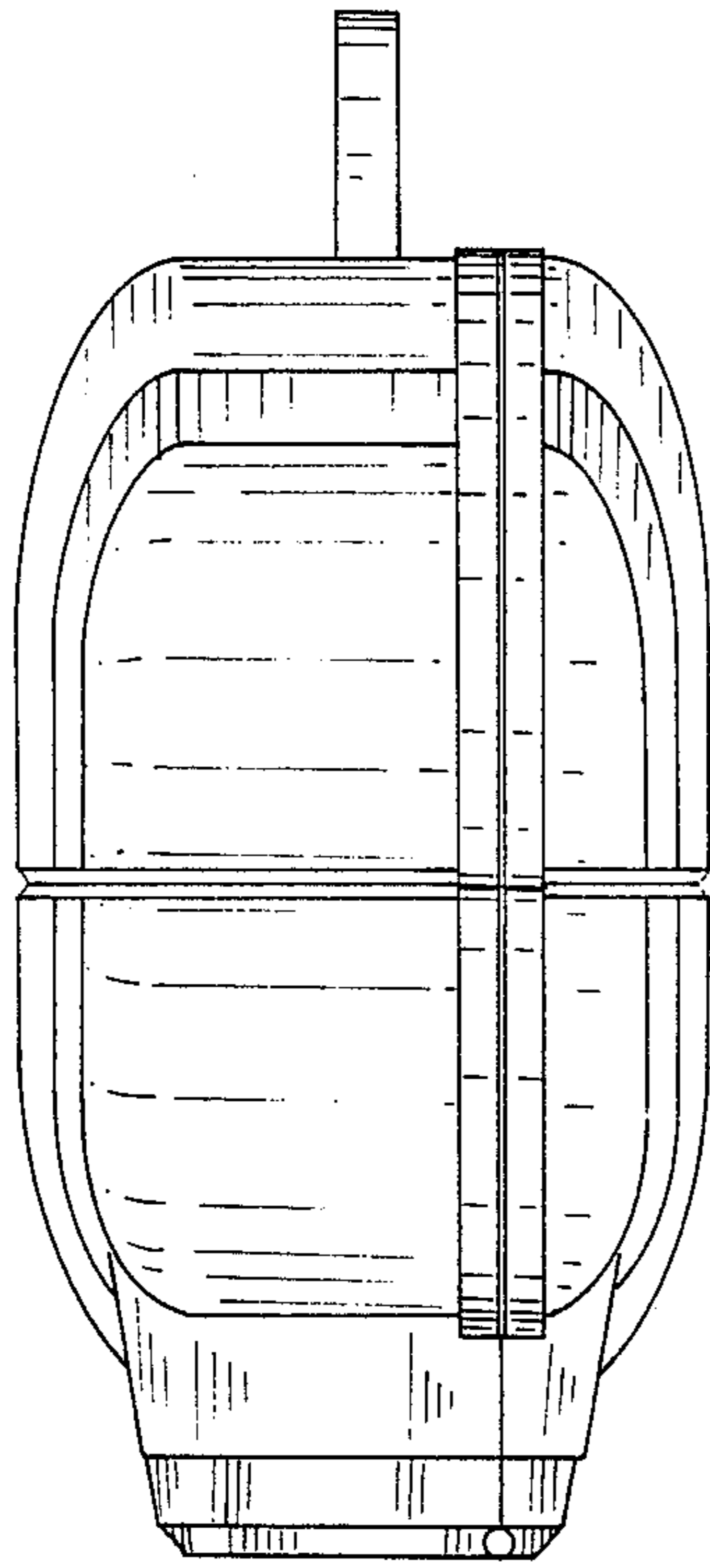


FIG. 3

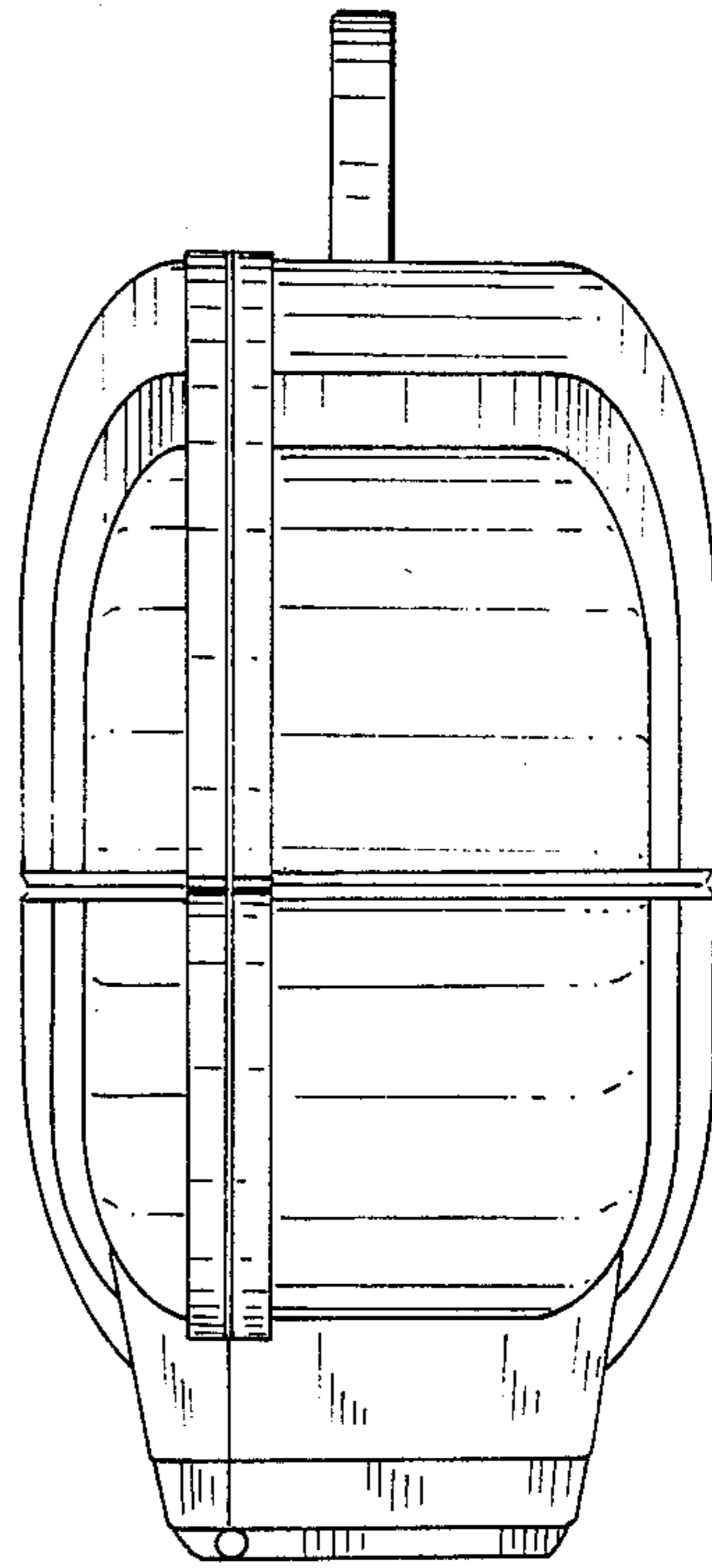


FIG. 4

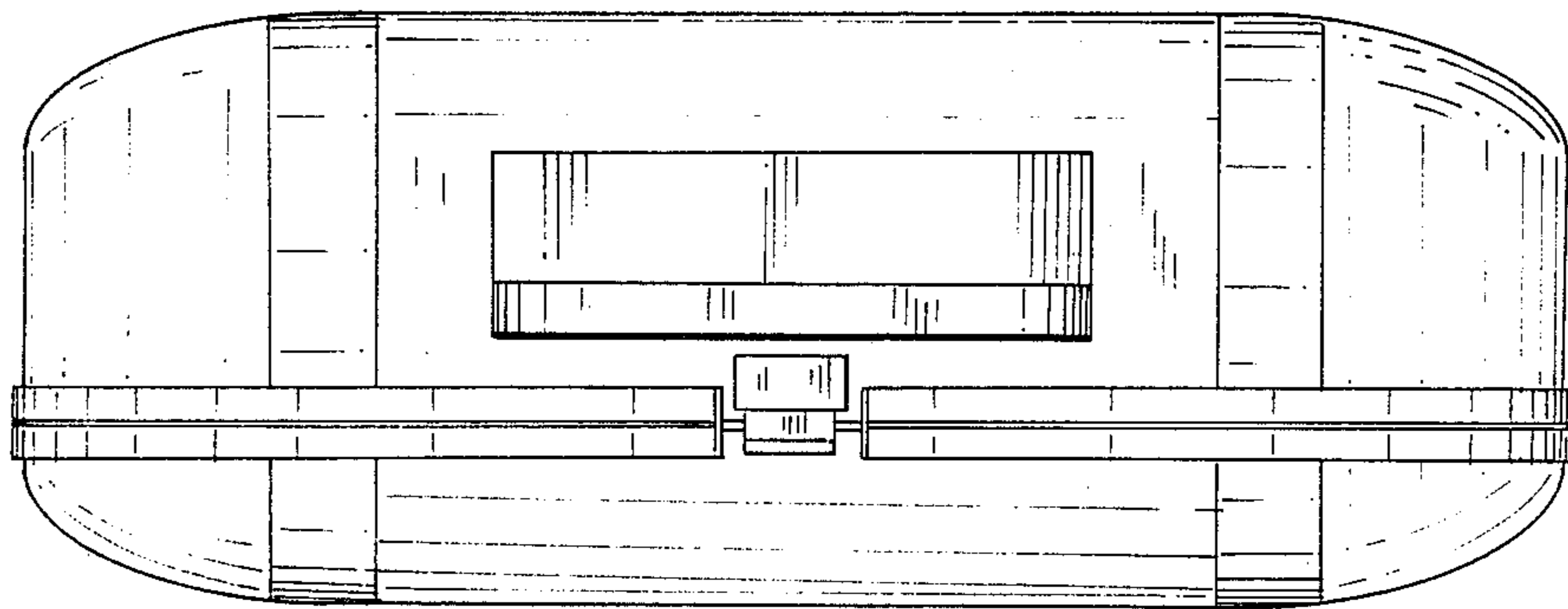


FIG. 5

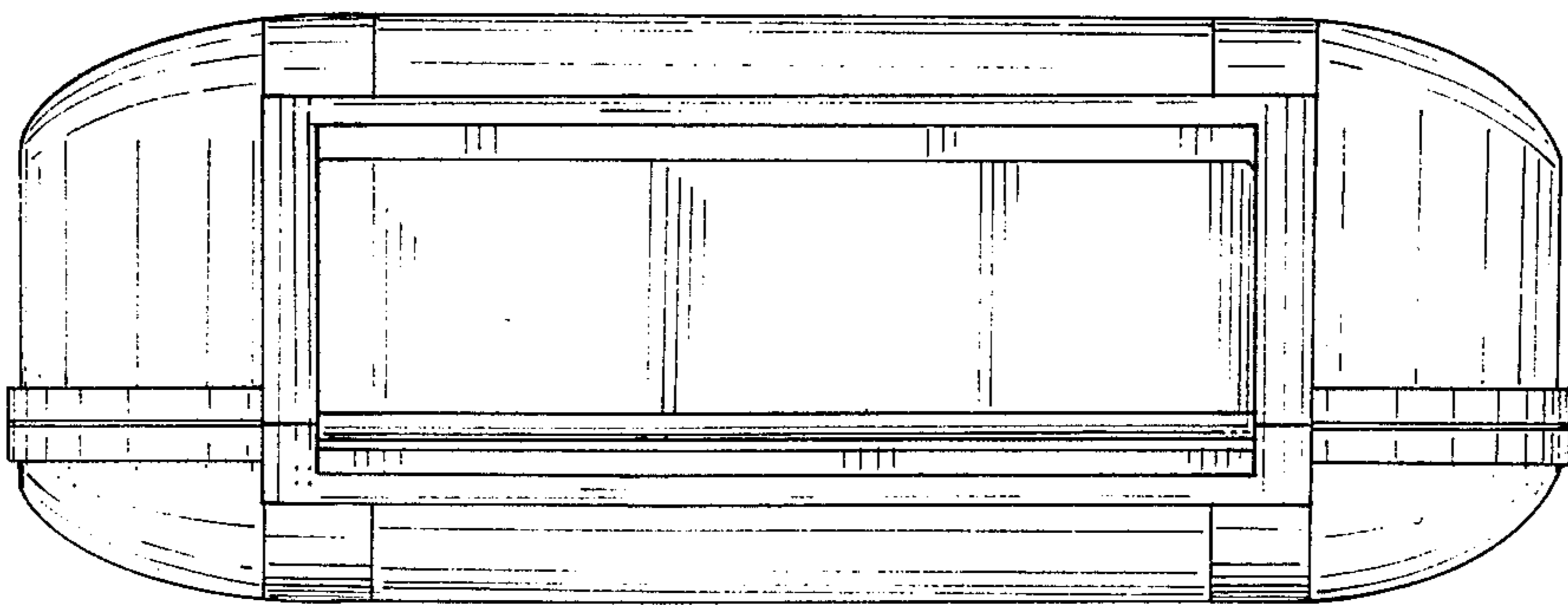


FIG. 6

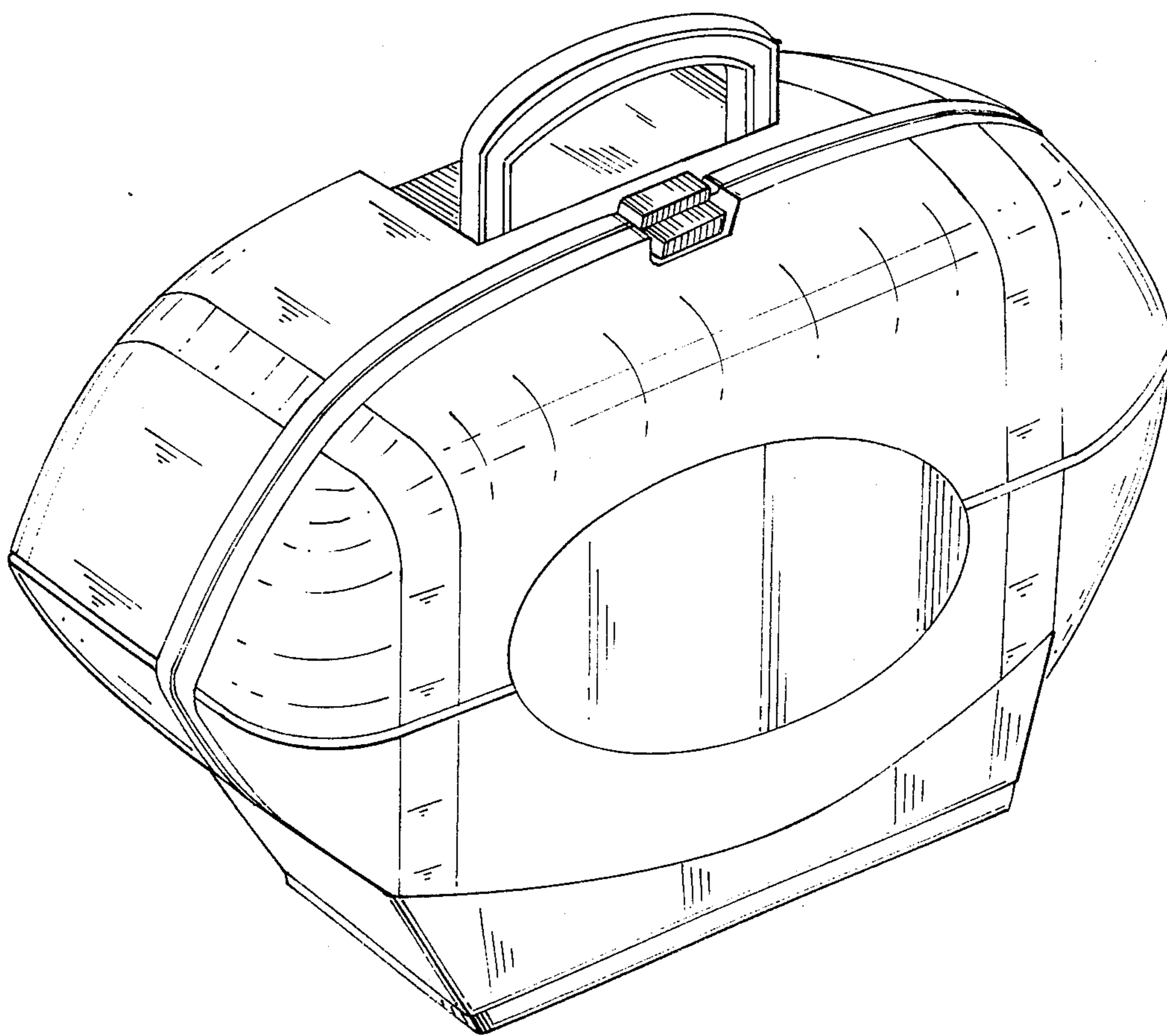


FIG. 7