

[54] COOKING RACK

[75] Inventor: Walter Koziol, Antioch, Ill.

[73] Assignee: Moerke Display & Mfg. Co., Inc.,  
Union Grove, Wis.

[\*\*] Term: 14 Years

[21] Appl. No.: 163,935

[22] Filed: Mar. 3, 1988

[52] U.S. Cl. .... D7/409

[58] Field of Search ..... D7/409; 126/337 R, 337 A;  
99/426

2,360,026	10/1944	Wall	.....	126/337 R
2,376,640	5/1945	Wall et al.	.....	126/337 R X
2,616,360	11/1952	Thompson	.....	99/426
2,934,210	4/1960	Jordan	.....	211/41
3,164,108	1/1965	Romero	.....	108/28
3,224,357	12/1965	Rubens	.....	99/259
3,962,961	6/1976	Peters	.....	99/426
3,986,445	10/1976	Hooton	.....	99/426
4,557,188	12/1985	Spanek	.....	99/415
4,612,851	9/1986	McManus	.....	99/419

Primary Examiner—Bruce W. Dunkins  
Assistant Examiner—J. Seeger  
Attorney, Agent, or Firm—Quarles & Brady

[56] References Cited

U.S. PATENT DOCUMENTS

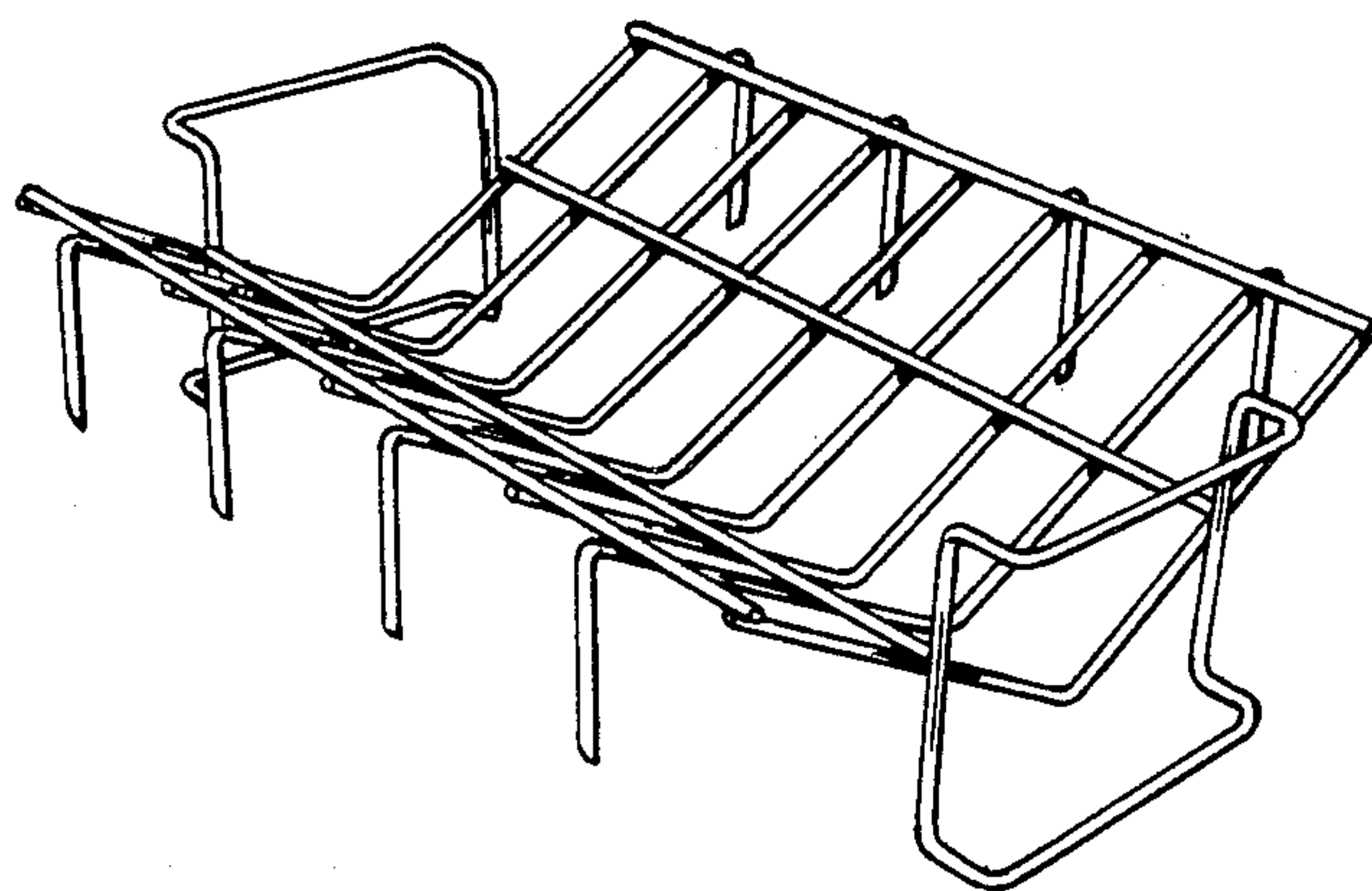
D. 121,598	7/1940	Post	.....	D7/409
D. 124,197	12/1940	Lynch	.....	D7/409
D. 131,059	1/1942	Lynch	.....	D7/409
D. 195,687	7/1963	Petroff	.....	D44/29
D. 242,516	11/1976	Burns et al.	.....	D7/409
D. 260,227	8/1981	Bentson	.....	D7/129
849,290	4/1907	Vanderbilt	.	
1,969,601	8/1934	Foch	.....	53/6
2,052,505	8/1936	Vetrosky	.....	53/5
2,205,064	6/1940	Irwin	.....	53/5
2,214,137	9/1940	Irwin et al.	.....	D7/409 X

[57] CLAIM

The ornamental design for a cooking rack, as shown and described.

DESCRIPTION

FIG. 1 is a top perspective view of the cooking rack, showing my new design;  
FIG. 2 is a front elevational view thereof;  
FIG. 3 is a top plan view thereof;  
FIG. 4 is a side elevational view thereof;  
FIG. 5 is a bottom plan view thereof; and  
FIG. 6 is a view similar to FIG. 1 showing the cooking rack in an inverted position.



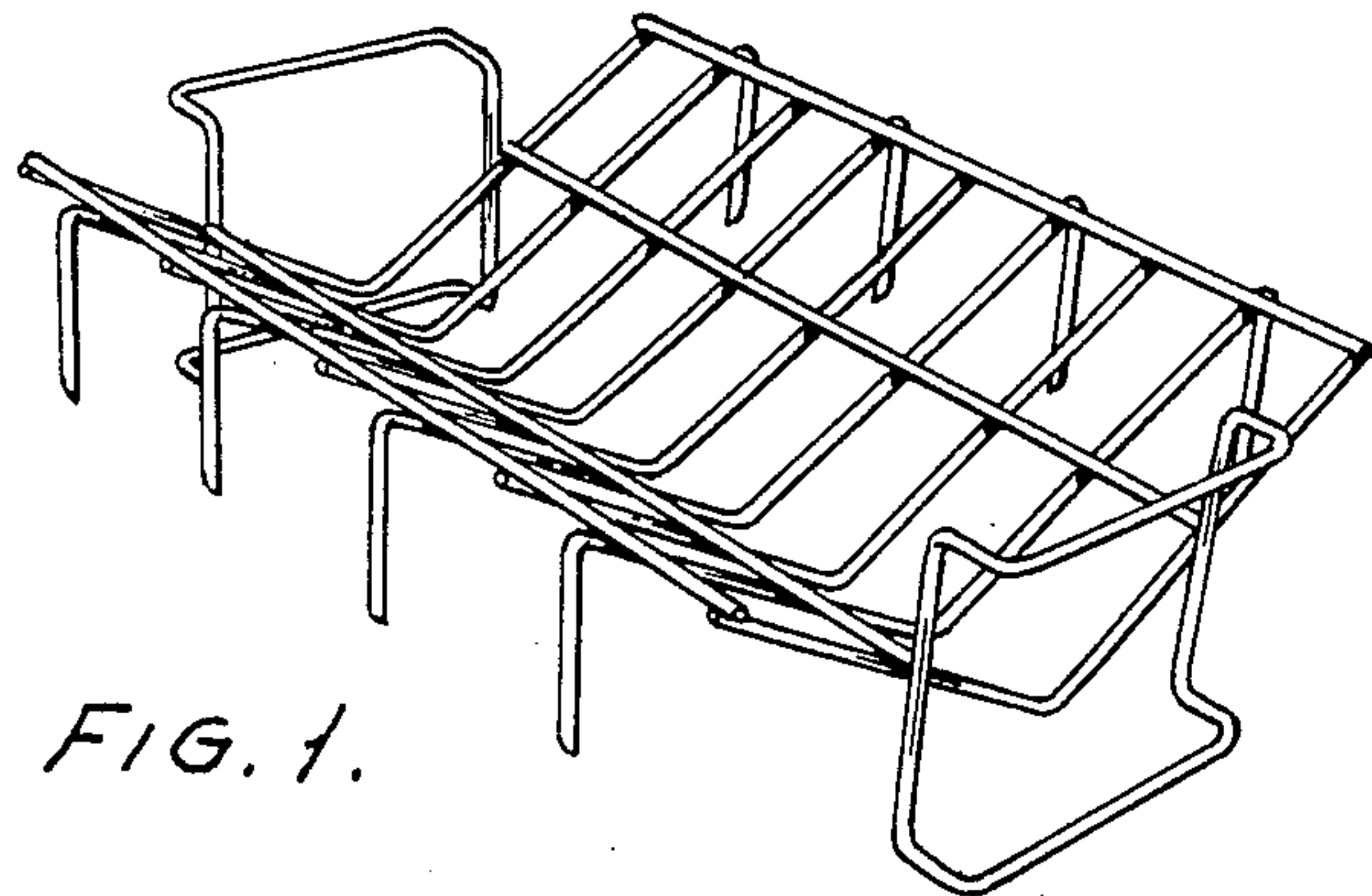


FIG. 1.

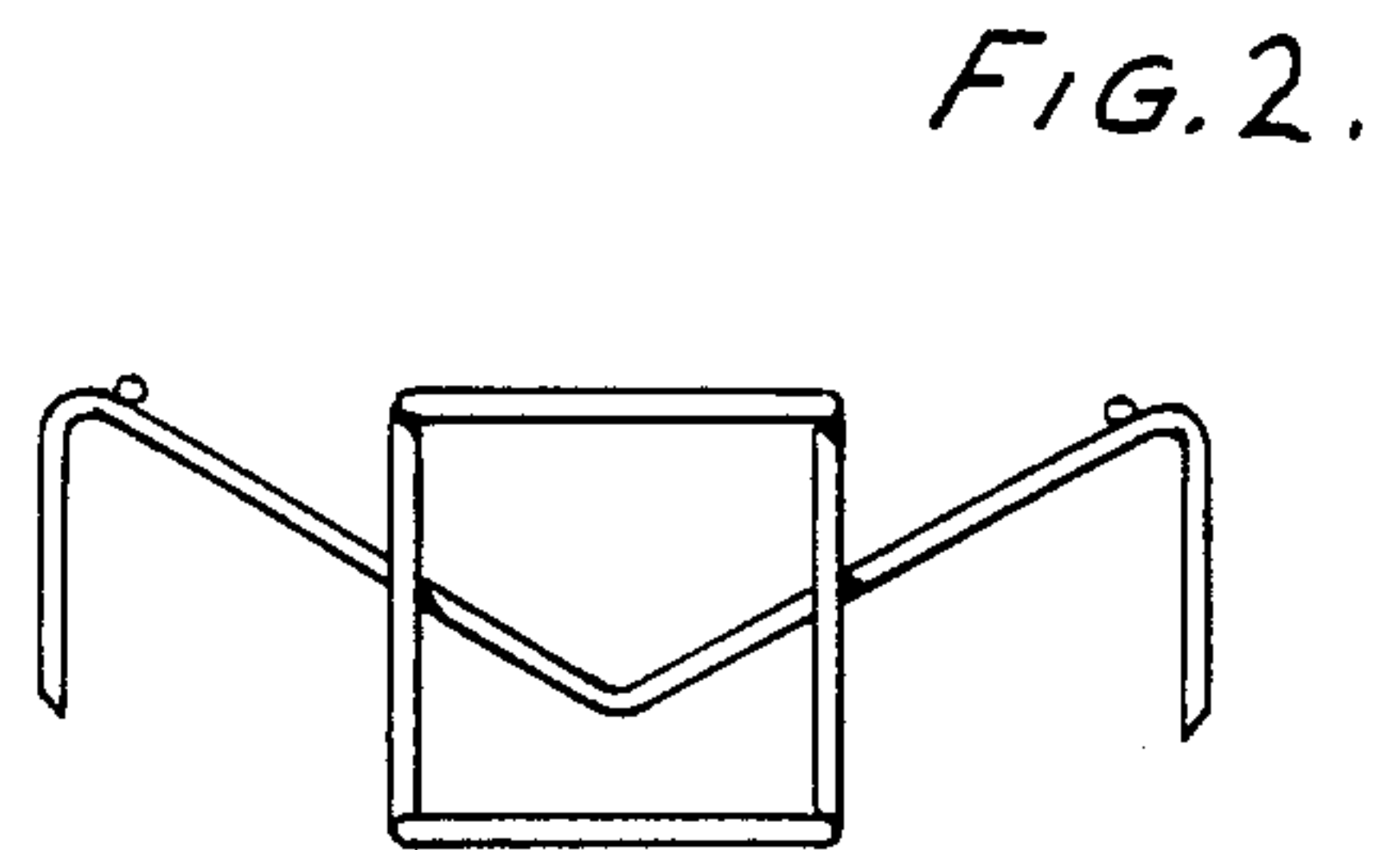


FIG. 2.

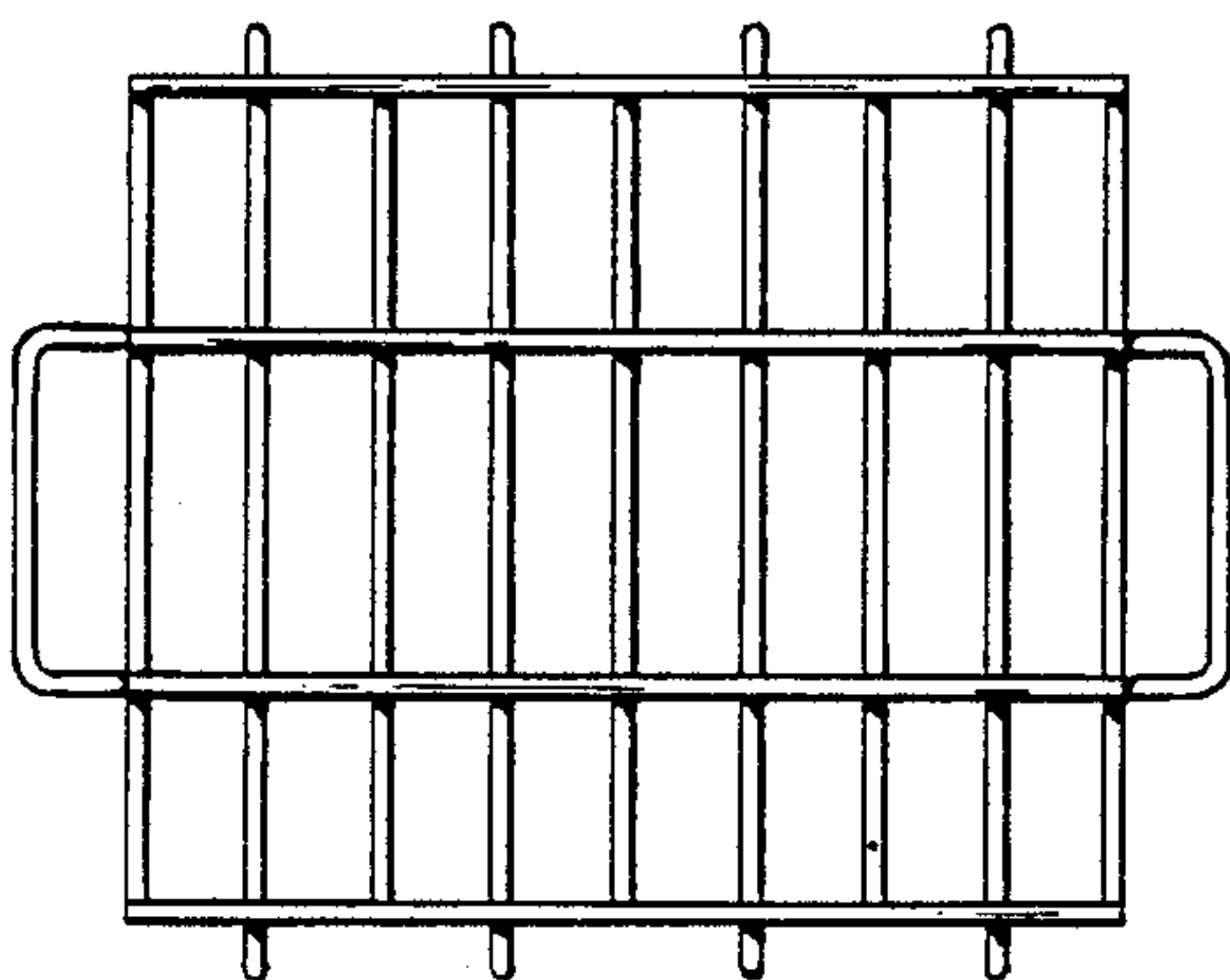


FIG. 3.

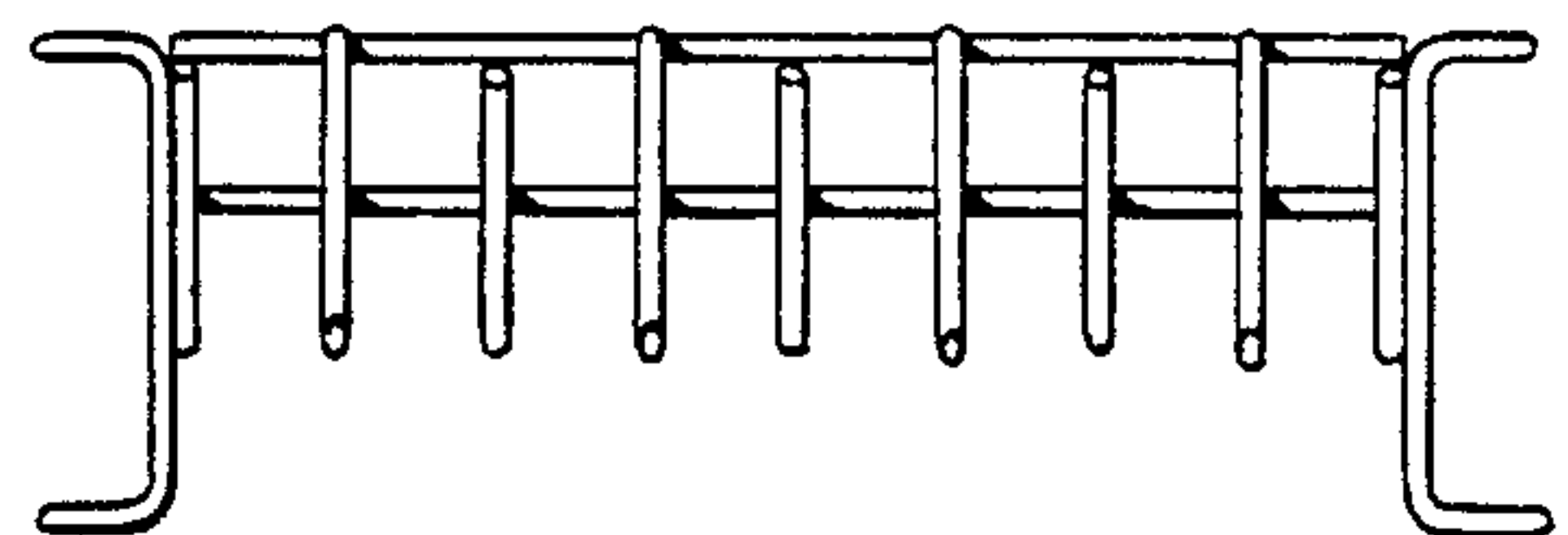


FIG. 4.

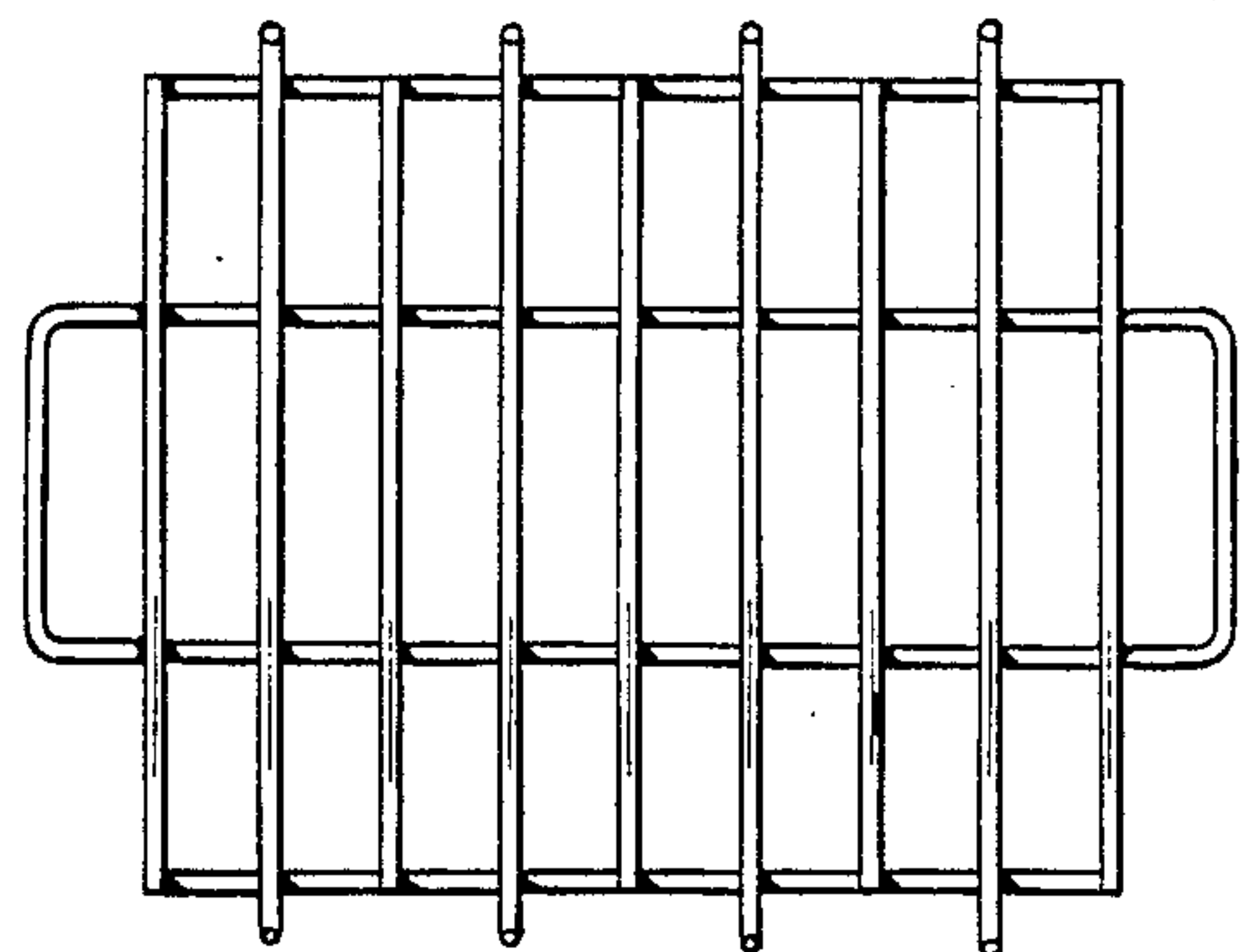


FIG. 5.

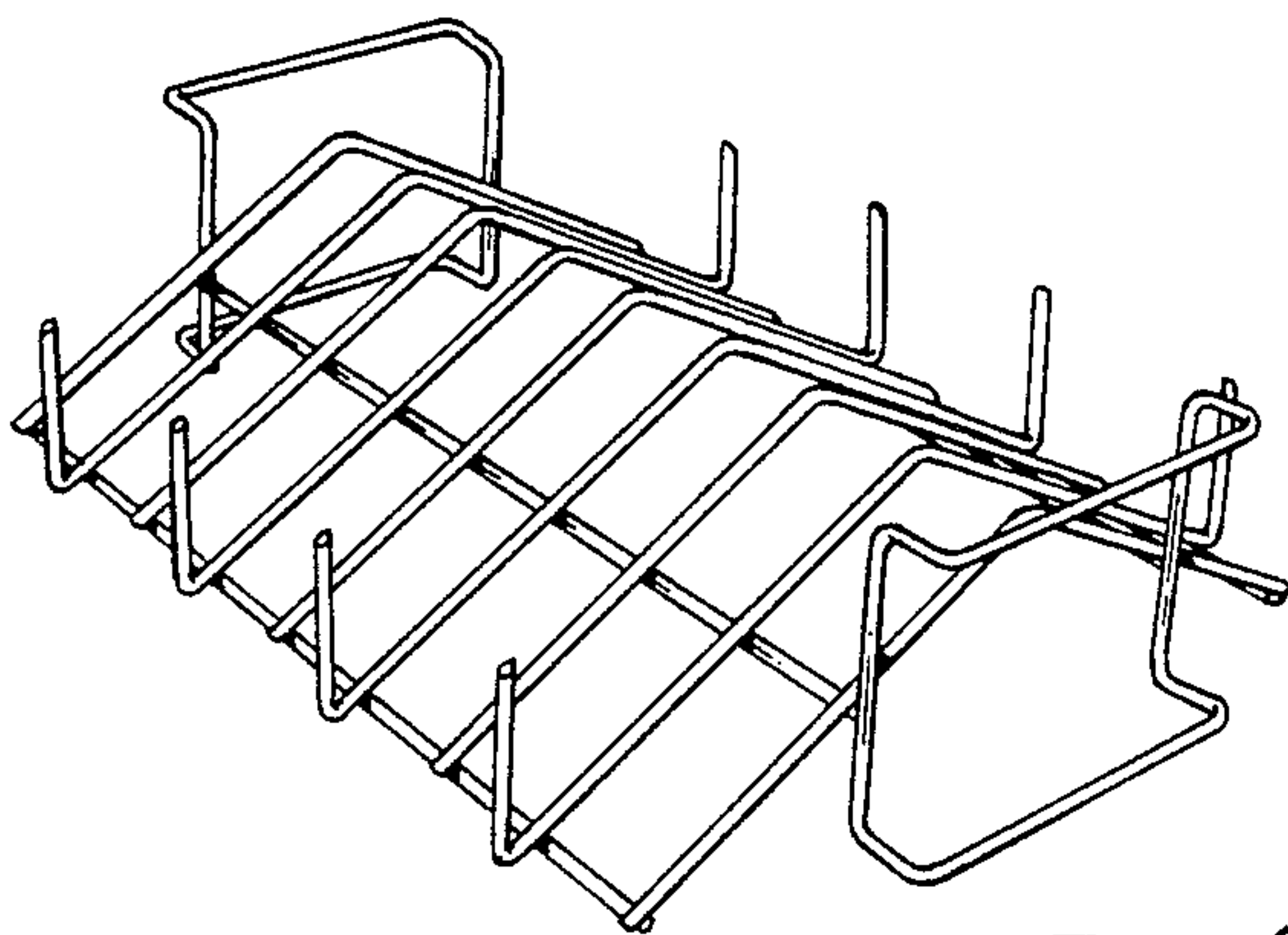


FIG. 6.