

[54] **TEA KETTLE**

[75] **Inventors: Jane Ancona; Bruce Ancona, both of New York, N.Y.**

[73] **Assignee: M. Kamenstein, Inc., White Plains, N.Y.**

[**] **Term: 14 Years**

[21] **Appl. No.: 263,341**

[22] **Filed: Oct. 27, 1988**

[52] **U.S. Cl. D7/322; D7/312; D7/321**

[58] **Field of Search D7/321, 322, 312, 320, D7/300, 316-319, 302**

[56] **References Cited**

U.S. PATENT DOCUMENTS

D. 19,256	8/1889	Jeffords	D7/322
D. 62,417	5/1923	Sander	D7/322
D. 95,621	5/1935	Zettler	D7/321
D. 133,823	9/1942	Schneider	D7/312
D. 160,056	9/1950	Beckwith	D7/322 X
D. 163,725	6/1951	Welden	D7/322
D. 164,413	9/1951	Finch	D7/322
D. 191,005	8/1961	Jepson	D7/322
D. 215,168	9/1969	Beckman	D7/318
D. 217,179	4/1970	Rakocy	D7/318
D. 218,635	9/1970	Lax	D7/322
D. 247,016	1/1978	Breger	D7/317

D. 282,436	2/1986	Thurlow	D7/322
D. 288,890	3/1987	Lebowitz	D7/322
41,095	1/1864	Ripley	222/465.1
3,218,435	11/1965	Mandziak	D7/312 X
3,536,496	10/1970	Paoloni	99/279 X

OTHER PUBLICATIONS

HFD, Jan. 16, 1989, p. 110, Copco Tea Kettles.
Form, Jan. 1986, p. 45, Tea Kettle in lower left.
Tableware International, Nov. 1983, p. 27, Panel #6, Richard Sapper's Kettle-For Alessi.
HFD, 8-25-86, p. 58, Dansk Design Kettle by Porcelli Associates.
Domus, Feb. 1986, p. 60, Kettles at top.
Primary Examiner—Winifred E. Herrmann
Attorney, Agent, or Firm—Henry R. Lerner

[57] **CLAIM**

The ornamental design for a tea kettle, as shown and described.

DESCRIPTION

FIG. 1 is a top, front, and right side perspective view of a tea kettle showing our new design;
 FIG. 2 is a top plan view thereof;
 FIG. 3 is a left side elevational view thereof, the opposite side being a mirror image;
 FIG. 4 is a front elevational view thereof;
 FIG. 5 is a rear elevational view thereof; and
 FIG. 6 is a bottom plan view thereof.

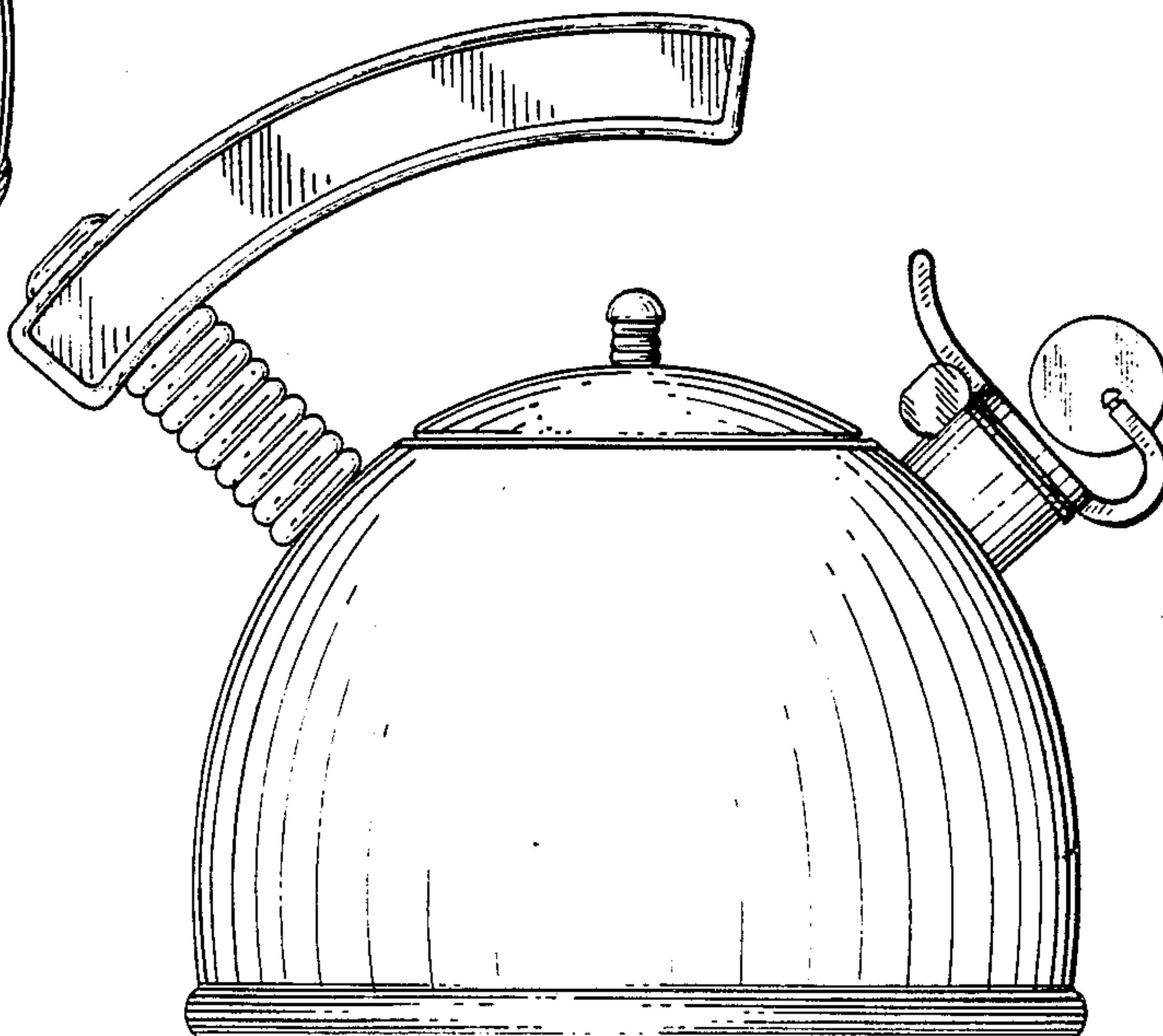
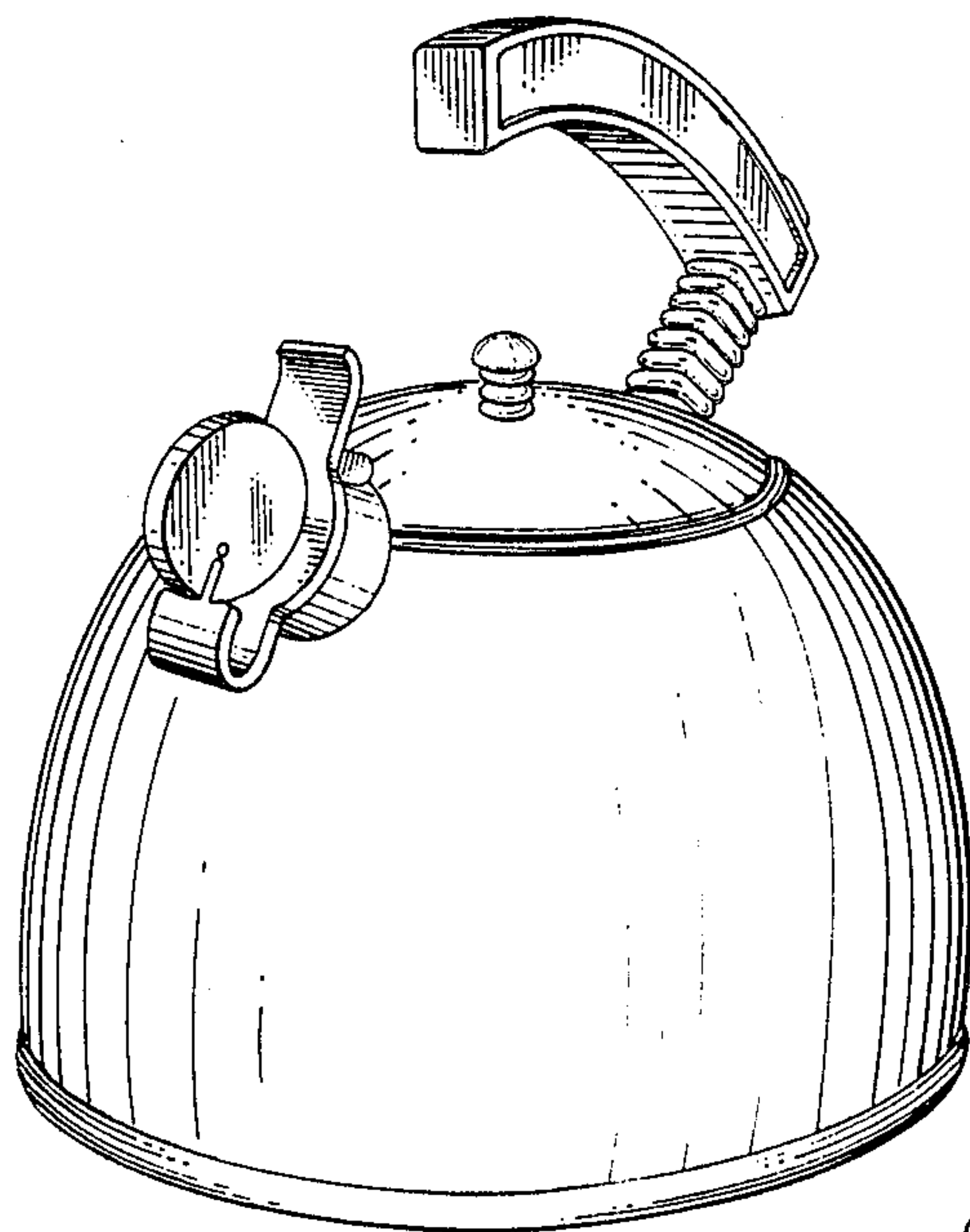


FIG. 1

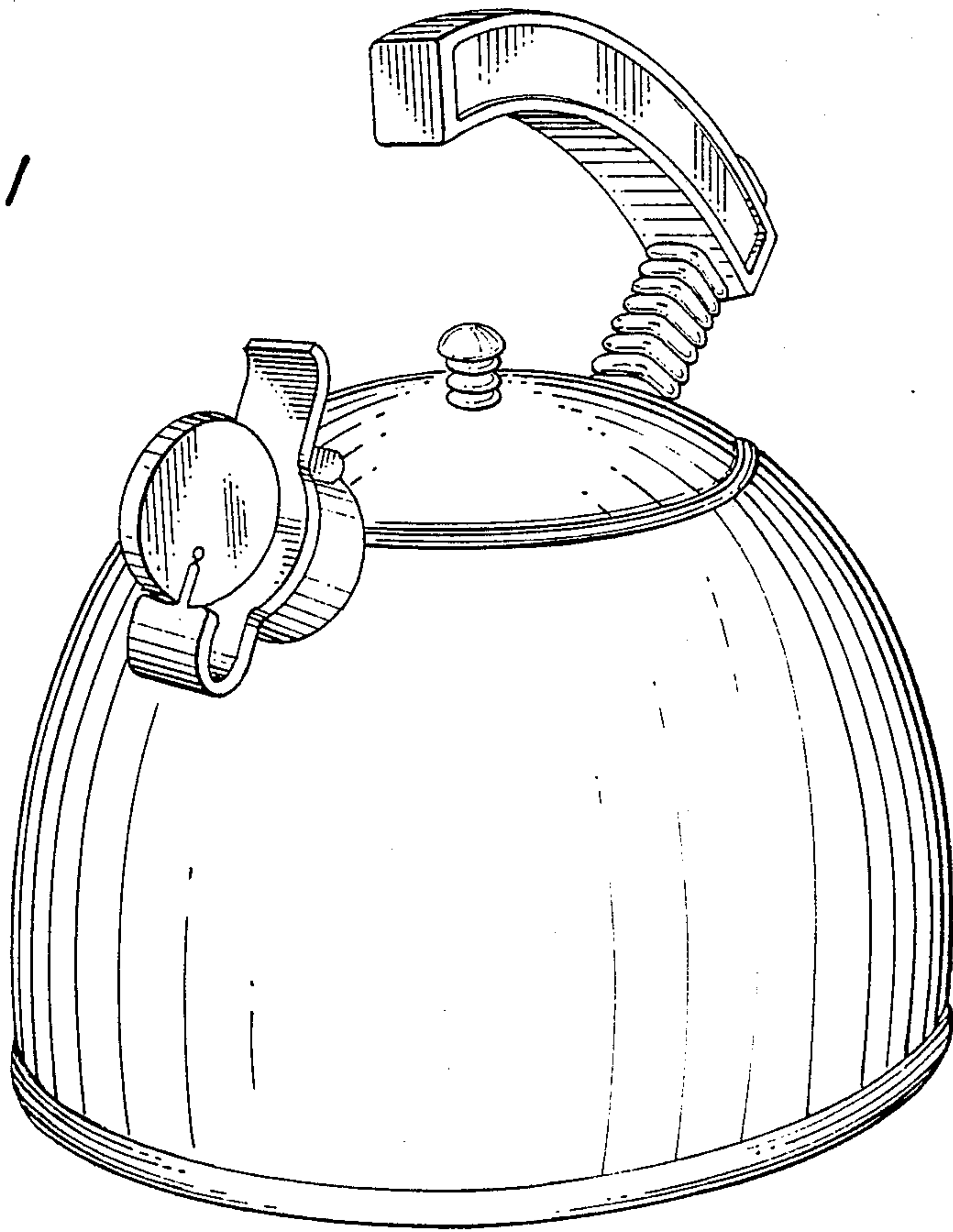


FIG. 2

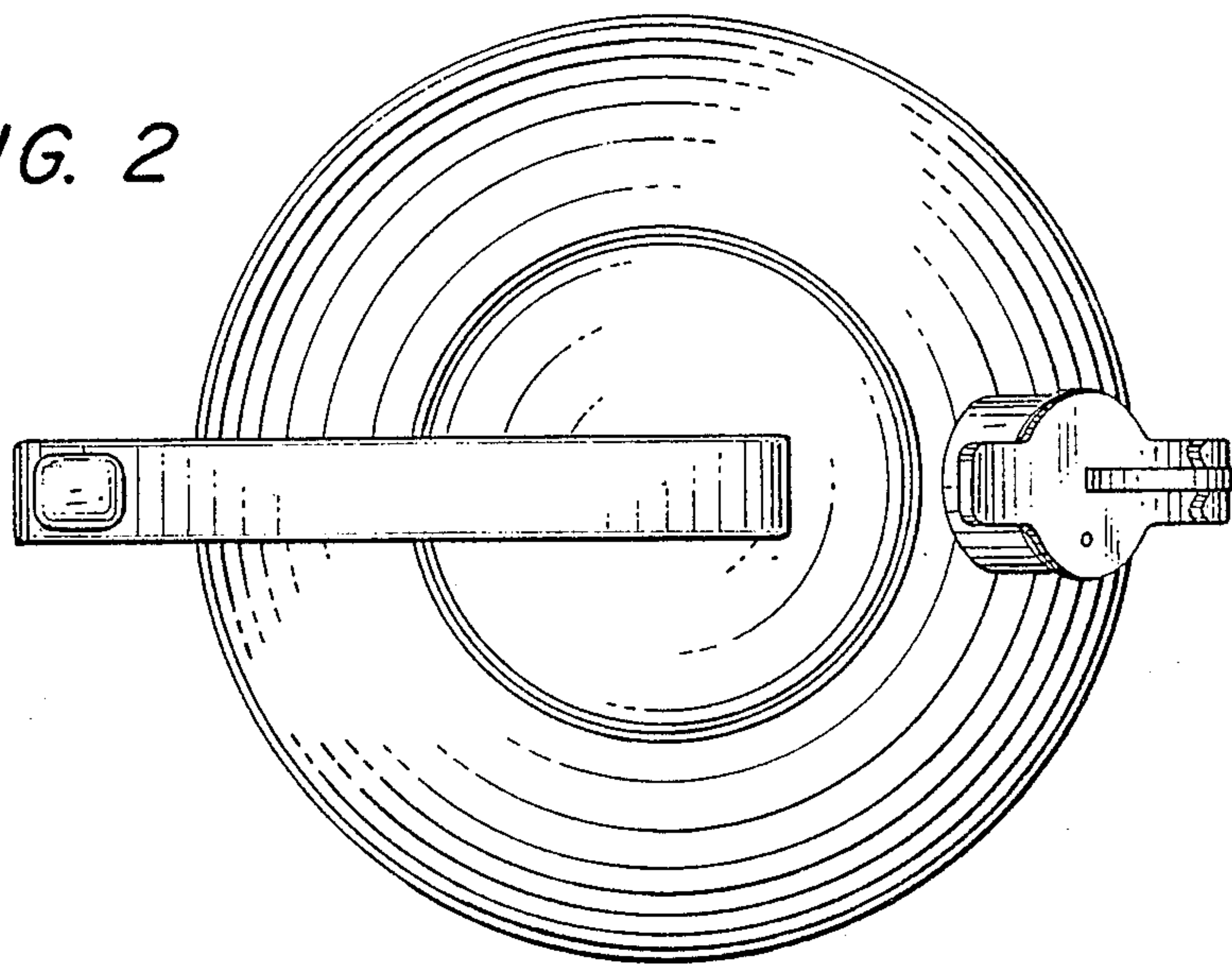


FIG. 4

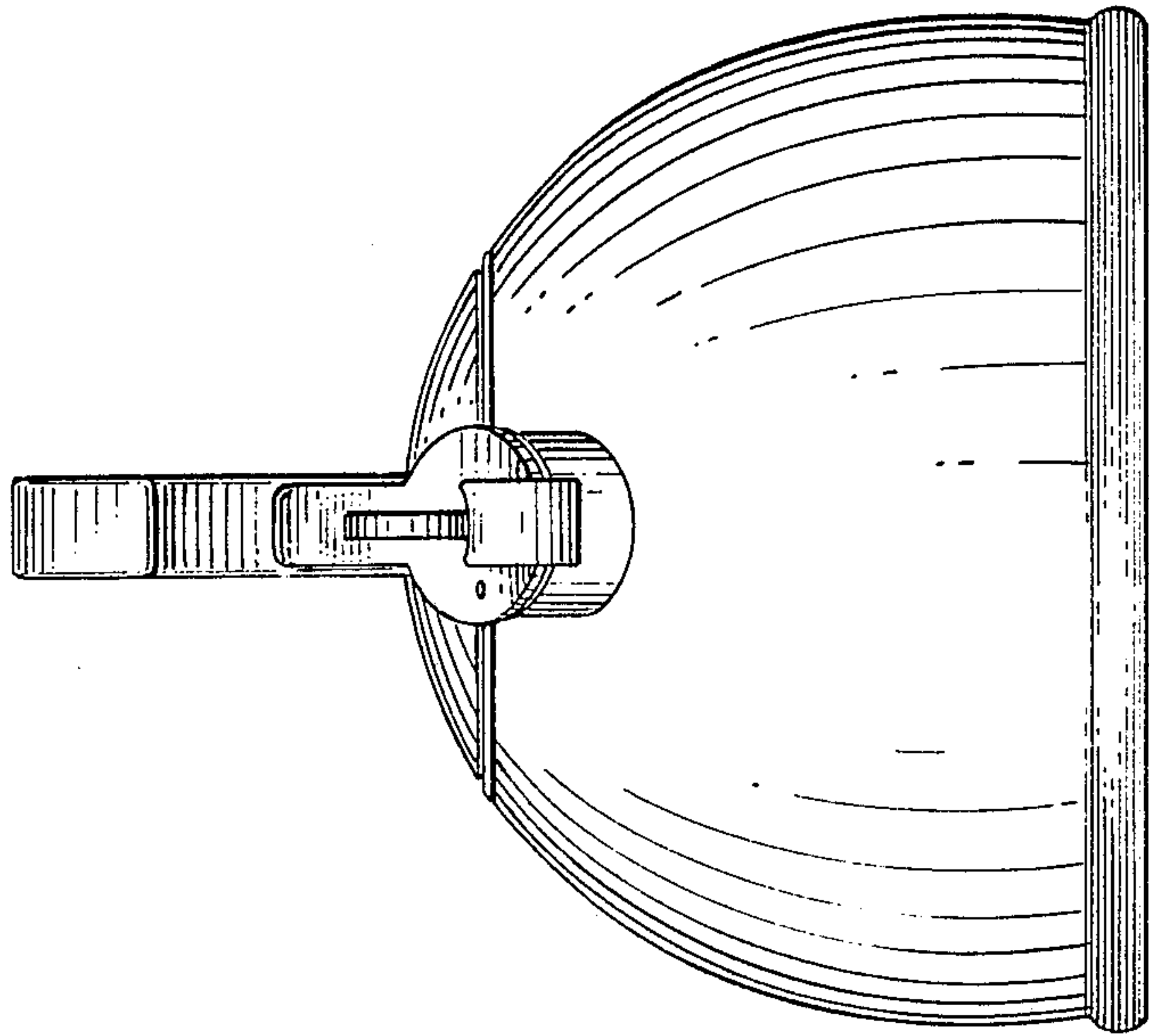


FIG. 3

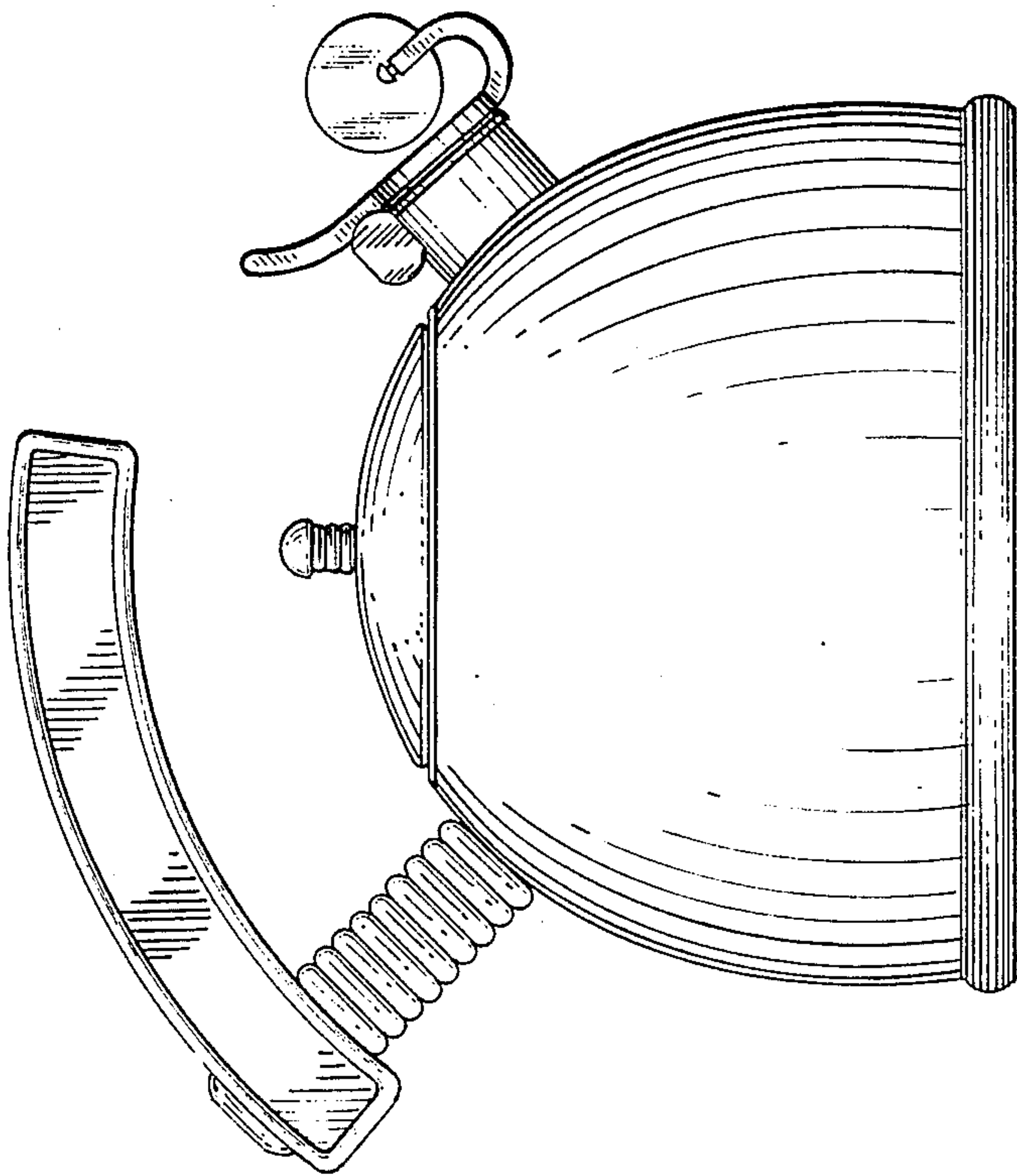


FIG. 5

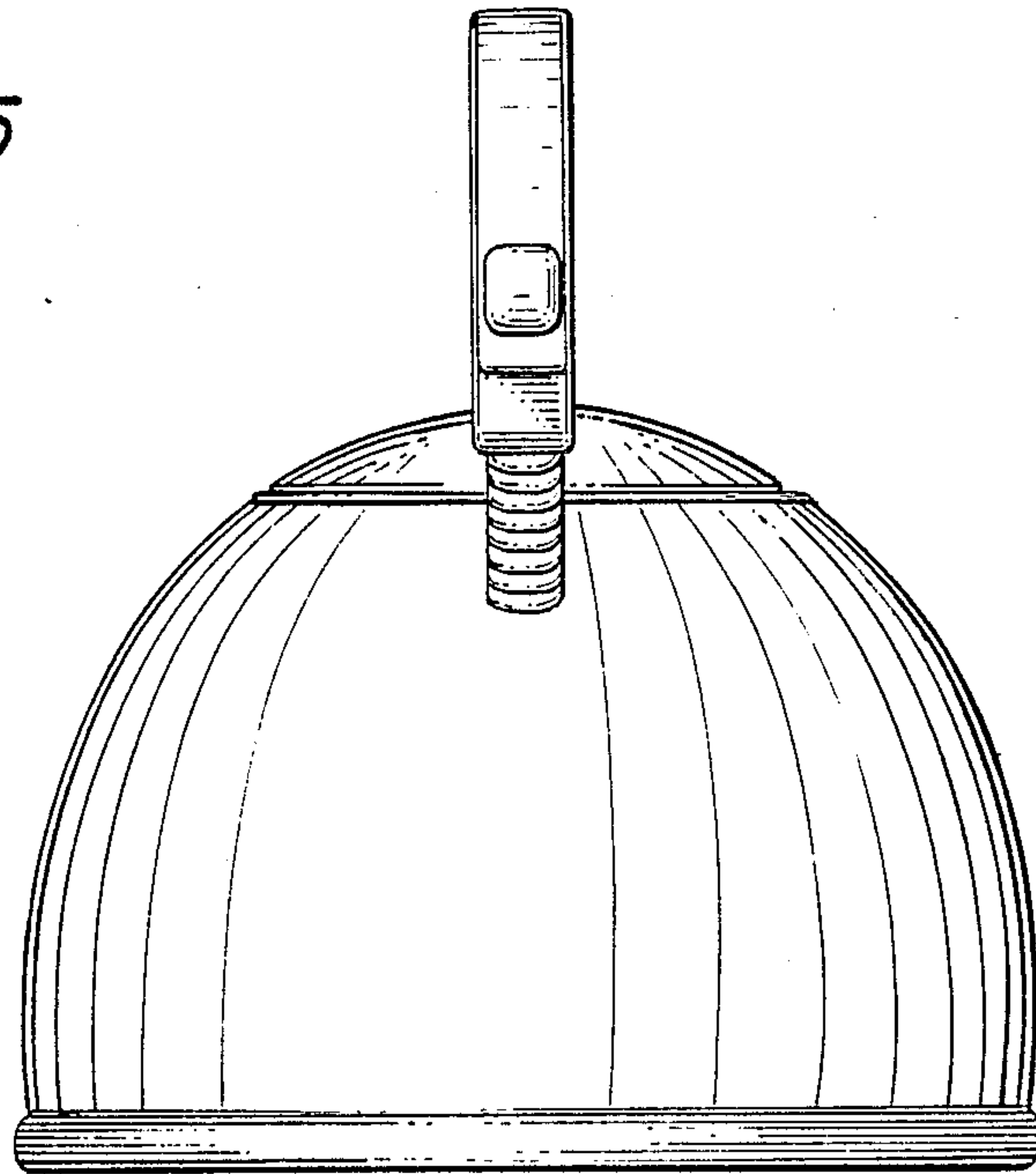


FIG. 6

