

[54] **TEA KETTLE**

[75] **Inventors: Jane Ancona; Bruce Ancona, both of New York, N.Y.**

[73] **Assignee: M. Kamenstein, Inc., White Plains, N.Y.**

[**] **Term: 14 Years**

[21] **Appl. No.: 263,132**

[22] **Filed: Oct. 27, 1988**

[52] **U.S. Cl. D7/322; D7/312**

[58] **Field of Search D7/321, 322, 312, 320, D7/300, 316-319, 302**

D. 296,068	7/1988	Yano	D7/322
D. 302,093	7/1989	Palsby	D7/317
2,258,589	10/1941	Lehmann	222/465.1 X
2,608,321	8/1952	Schlumbohm	D7/318 X
2,670,107	2/1954	Welden	222/471

OTHER PUBLICATIONS

Appliance, Jan., 1981, p. 4, Electric Kettle Shown, Engineering Resins Take Heat in Kitchen.

Design 380, Aug. 1980, p. 41, Electric Kettles.

Hong Kong Enterprise, Mar., 1983, p. 239, Teapots in top panel-handle located on top near spout.

Primary Examiner—Winifred E. Herrmann

Attorney, Agent, or Firm—Henry R. Lerner

[56] **References Cited**

U.S. PATENT DOCUMENTS

D. 95,354	4/1935	Kircher	D7/322
D. 104,477	5/1937	Scharfenberg	D7/321 X
D. 115,928	8/1939	Kircher	D7/322
D. 133,823	9/1942	Schneider .	
D. 148,348	1/1948	Brannon	D7/321
D. 159,307	7/1950	Welden	D7/322
D. 163,725	6/1951	Welden	D7/322
D. 175,856	10/1955	Rowan	D7/319
D. 192,016	1/1962	Cronheim	D7/322
D. 274,595	7/1984	Lebowitz	D7/322
D. 282,810	3/1986	Urich	D7/322

[57] **CLAIM**

The ornamental design for a tea kettle, as shown and described.

DESCRIPTION

FIG. 1 is a top, front, and right side perspective view of a tea kettle showing our new design;
 FIG. 2 is a top plan view thereof;
 FIG. 3 is a left side elevational view thereof, the opposite side being a mirror image;
 FIG. 4 is a front elevational view thereof;
 FIG. 5 is a rear elevational view thereof; and
 FIG. 6 is a bottom plan view thereof.

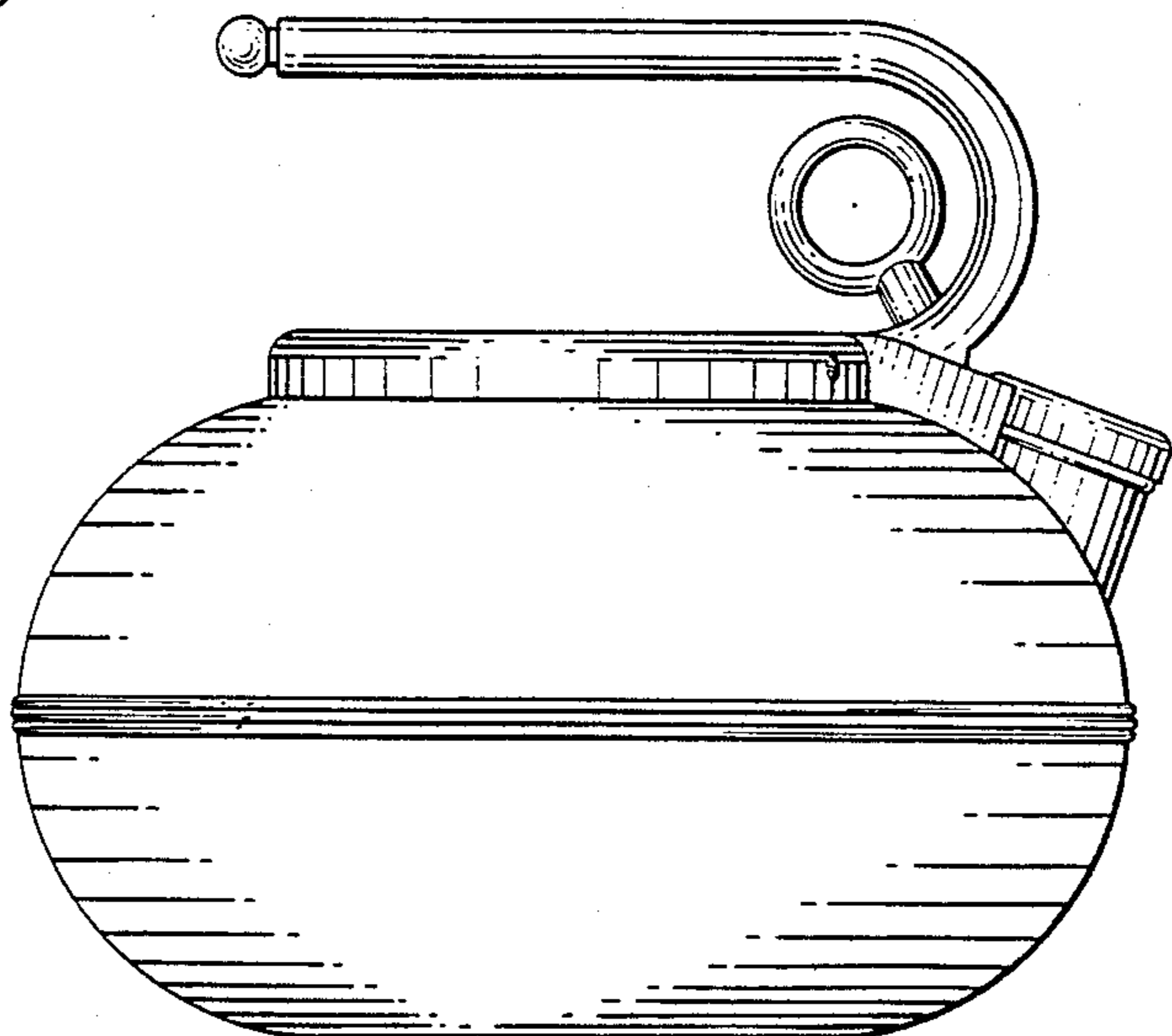
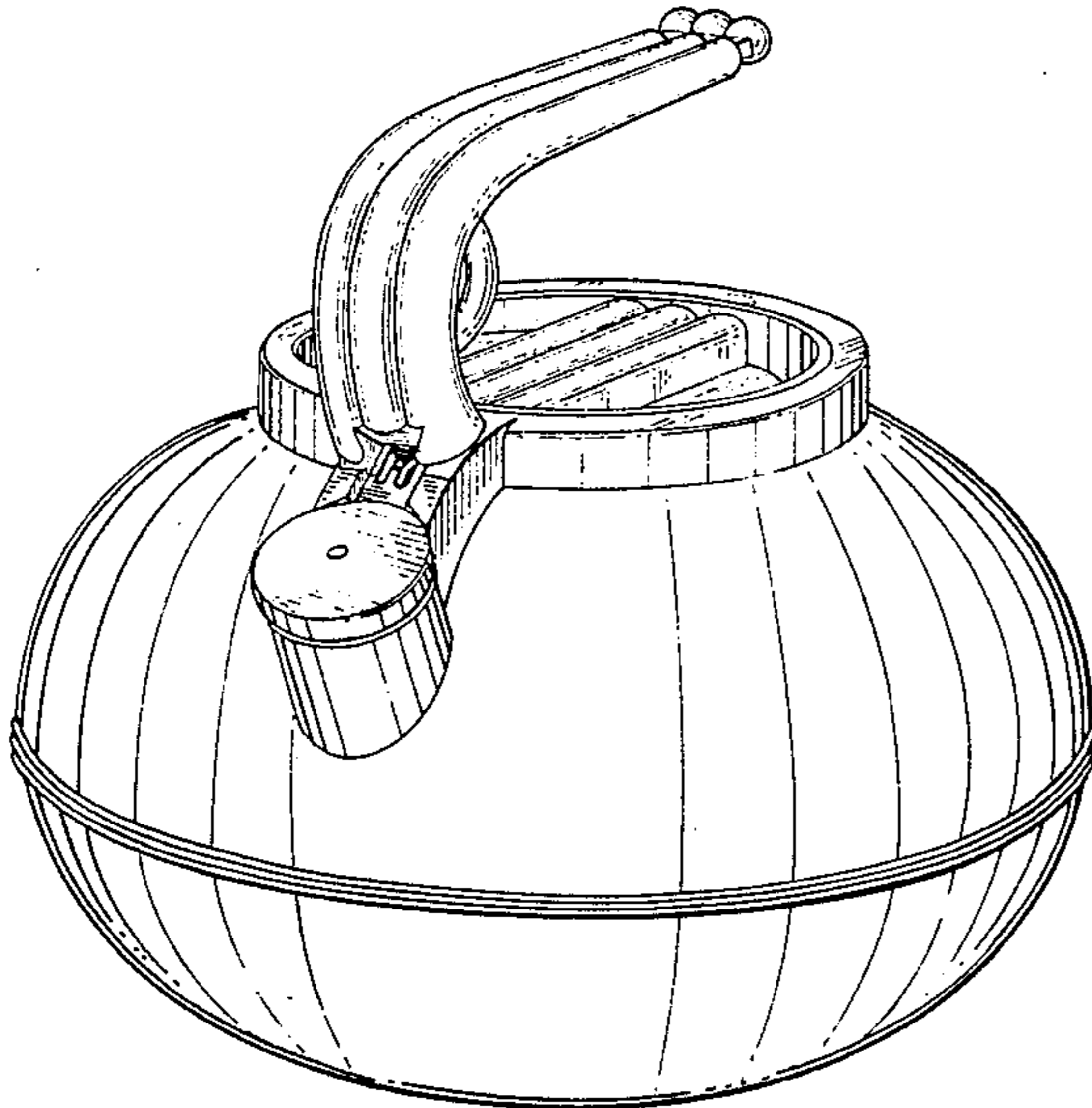


FIG. 1

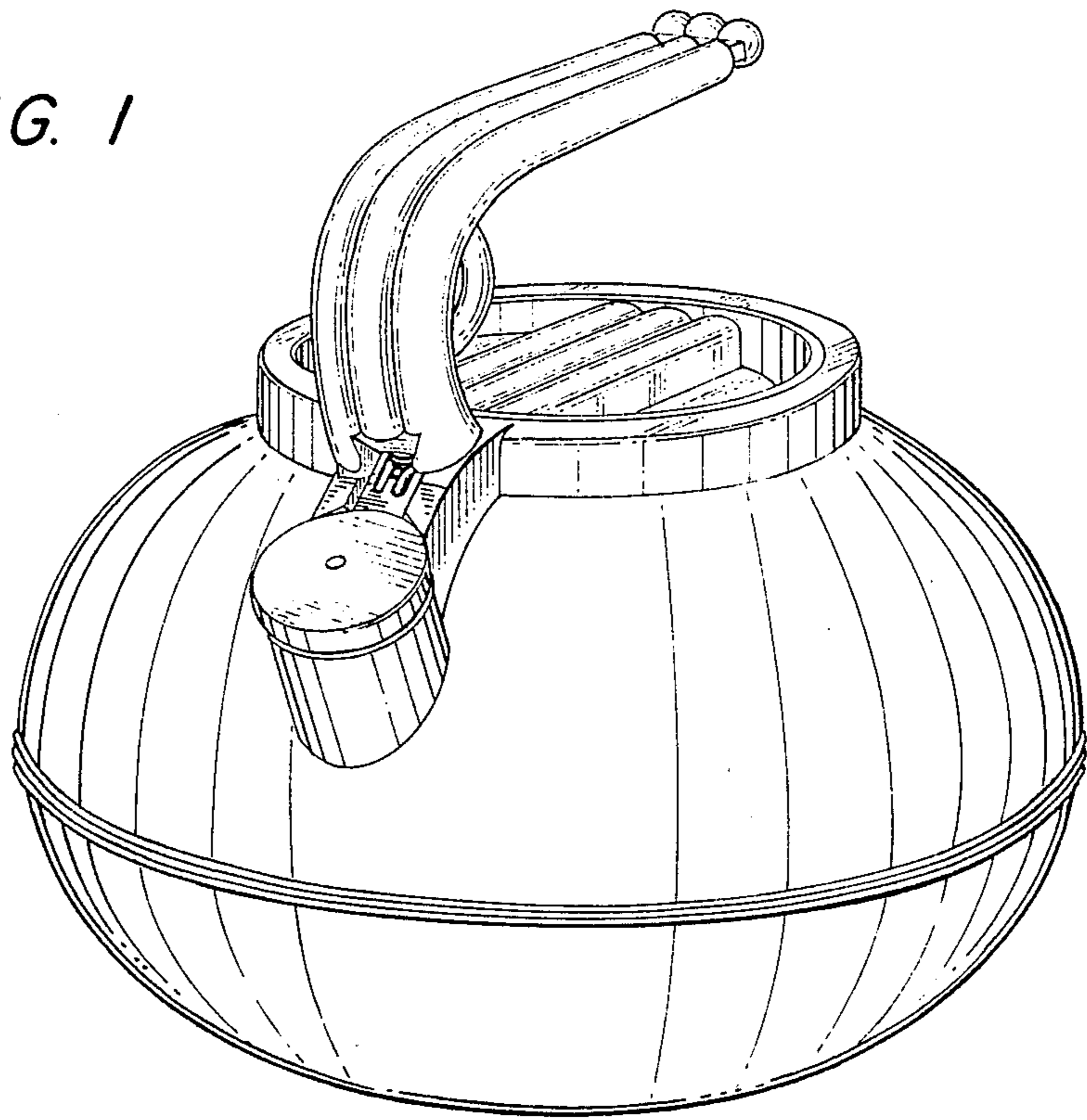


FIG. 2

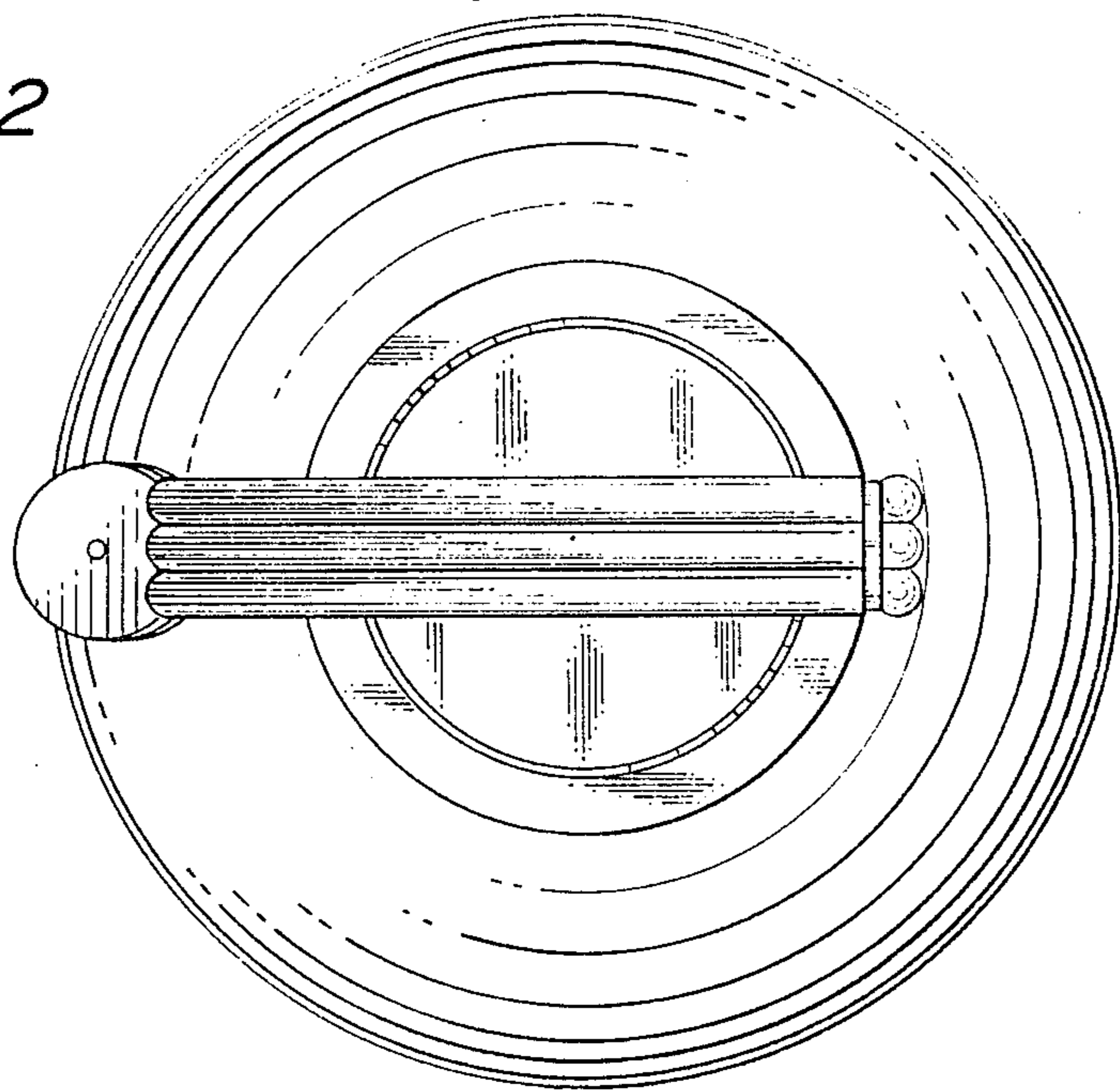


FIG. 4

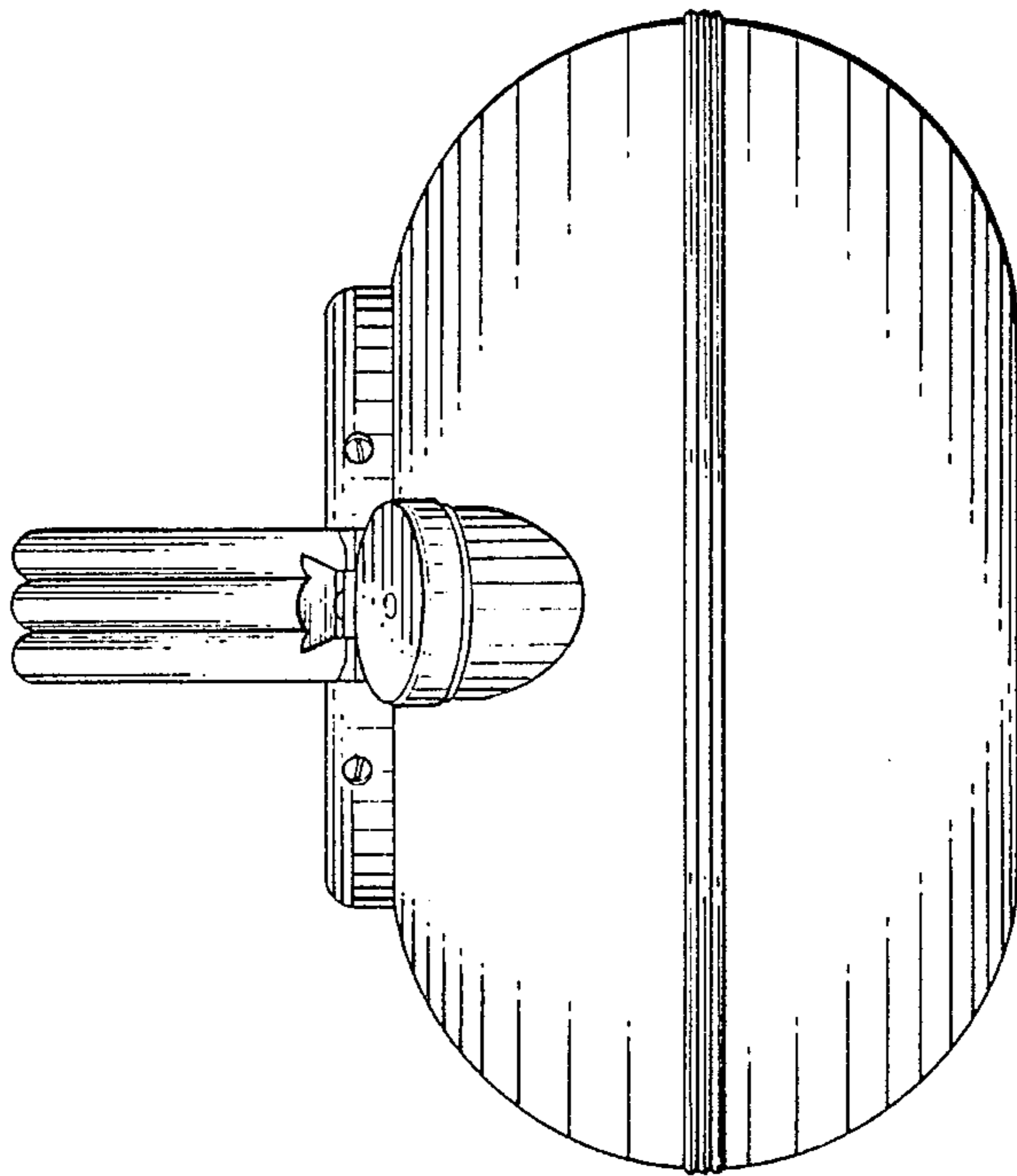


FIG. 3

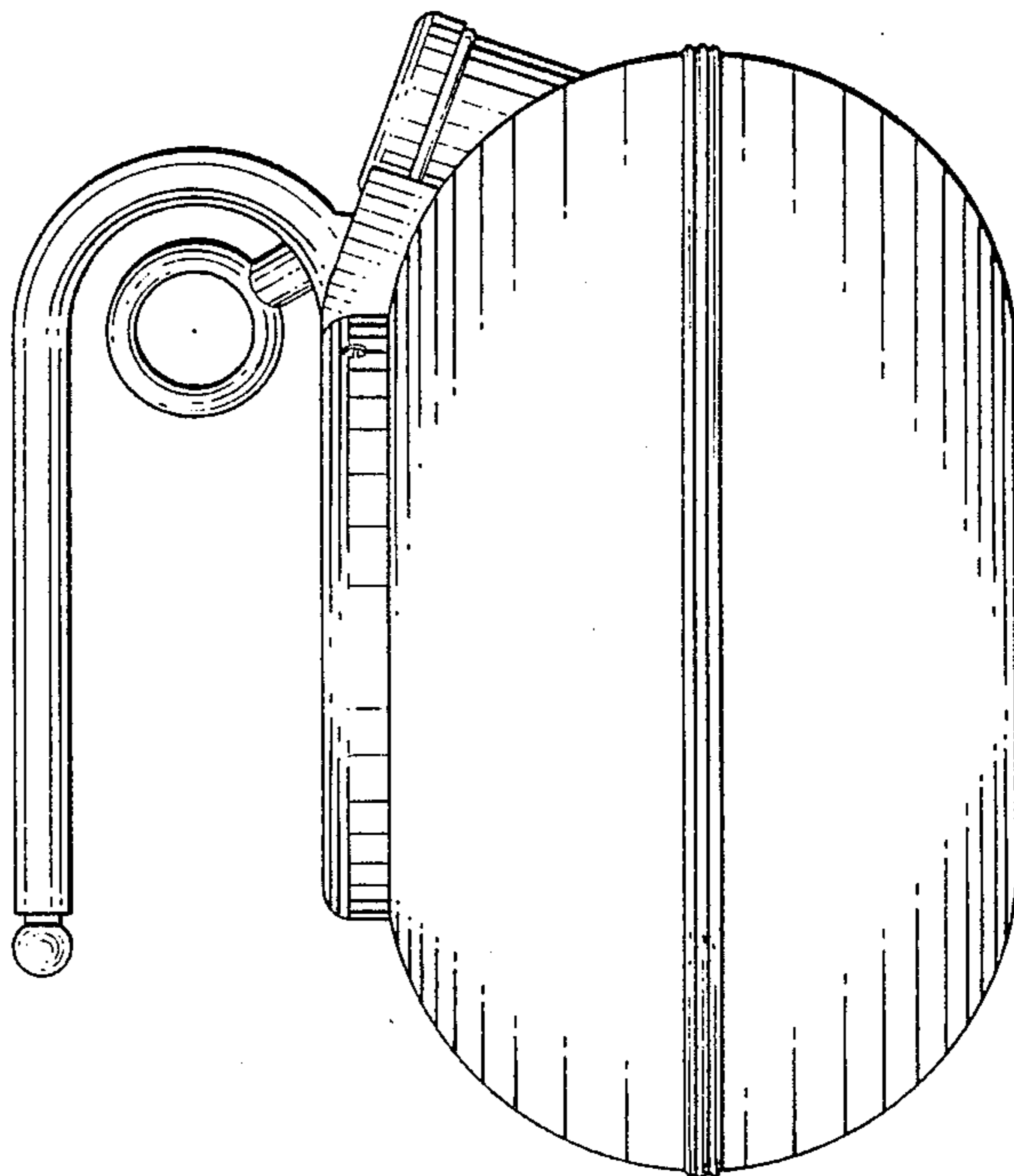


FIG. 5

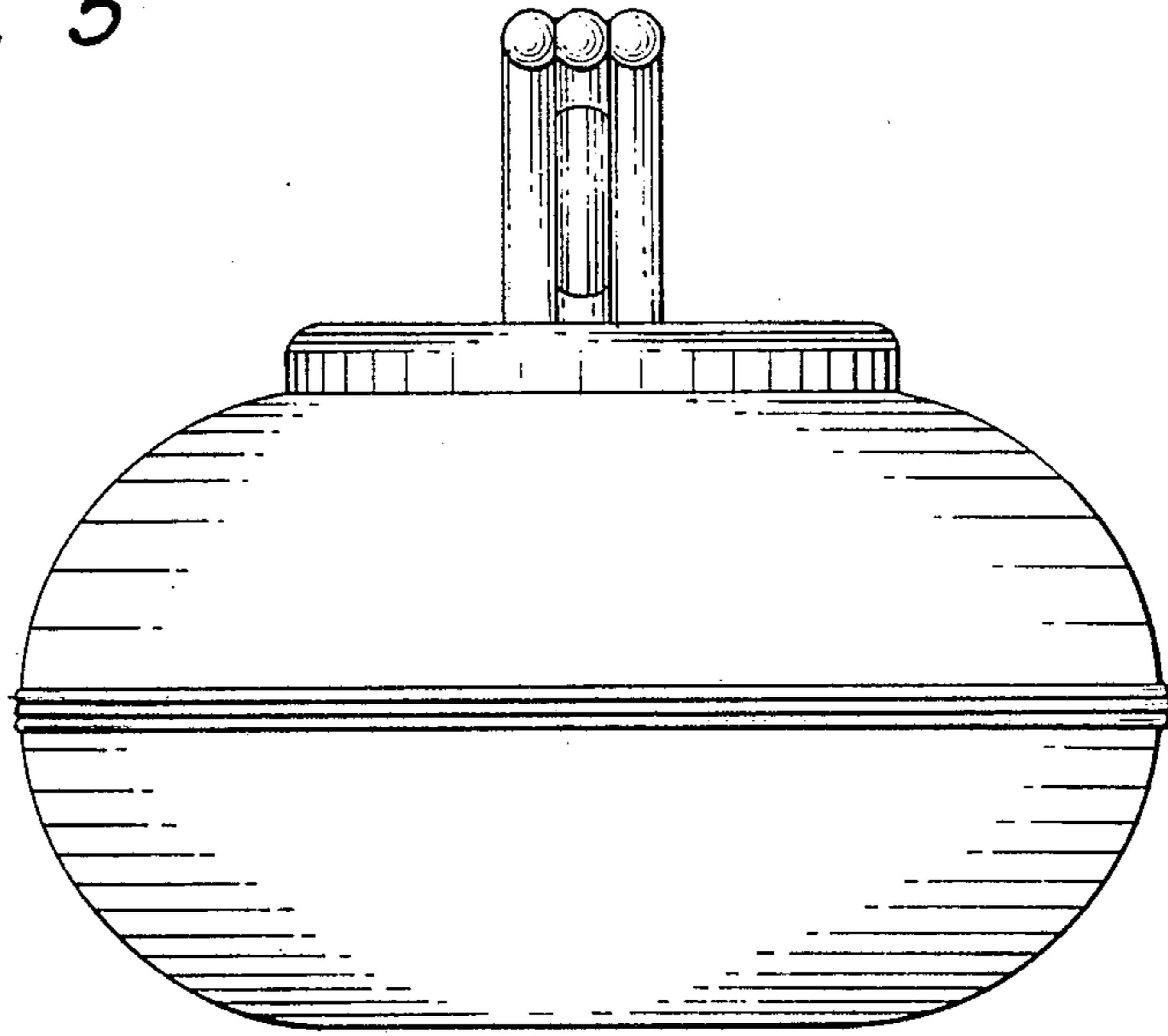


FIG. 6

