

United States Patent [19]

Patrinicola

[11] Patent Number: **Des. 308,312**

[45] Date of Patent: **** Jun. 5, 1990**

[54] **MOLD FOR FISH FILET**

[76] Inventor: **Samuel C. Patrinicola, 700
Bernadette Dr., Forest Hill, Md.
21050**

[**] Term: **14 Years**

[21] Appl. No.: **52,898**

[22] Filed: **May 22, 1987**

[52] U.S. Cl. **D7/676**

[58] Field of Search **D7/44, 43, 5, 37, 46,
D7/23; D9/329, 307; D32/40, 43, 46;
D11/132, 134; D99/17, 21-22, 25; 249/55**

[56] **References Cited**

U.S. PATENT DOCUMENTS

D. 172,580 7/1954 Cain D11/134
D. 231,182 4/1974 Pasquale D32/43 X

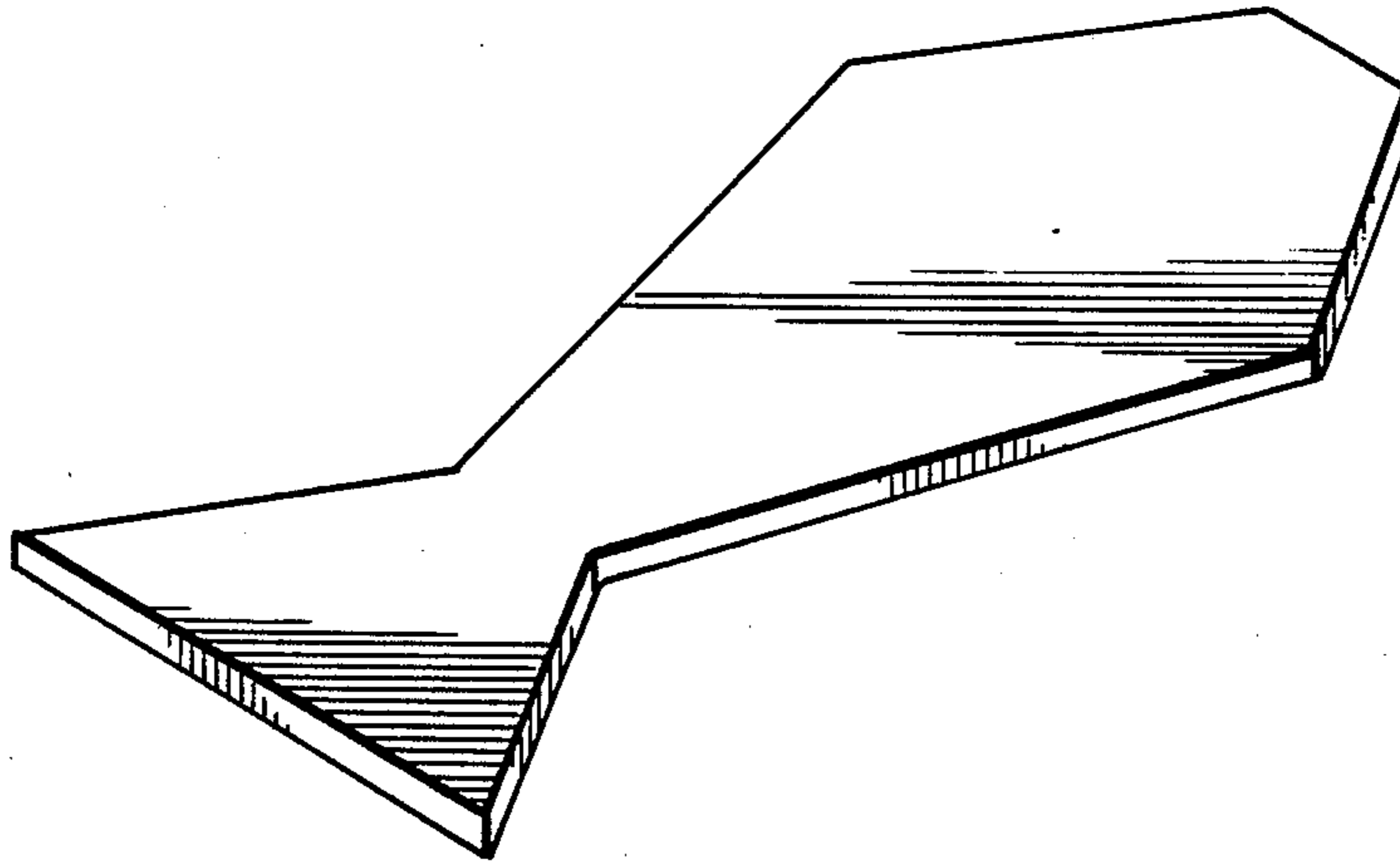
Primary Examiner—Bernard Ansher
Assistant Examiner—Terry A. Pfeffer

[57] **CLAIM**

The ornamental design of a mold for fish filet, as shown and described.

DESCRIPTION

FIG. 1 is a top, front perspective view of a mold for fish filet showing my new design;
FIG. 2 is a top plan view thereof;
FIG. 3 is a bottom plan view thereof;
FIG. 4 is a side elevational view thereof; and
FIG. 5 is a rear elevational view thereof.



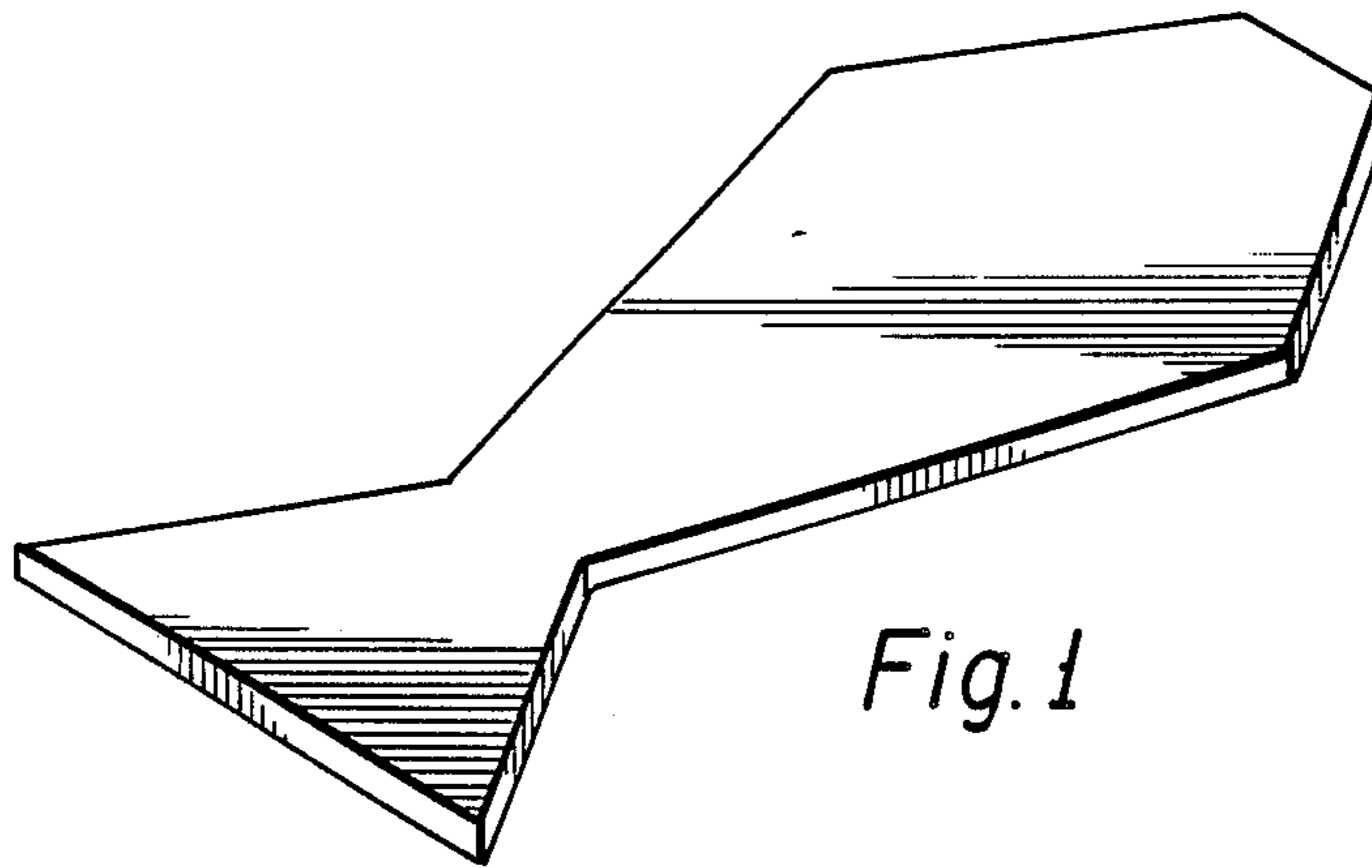


Fig. 1

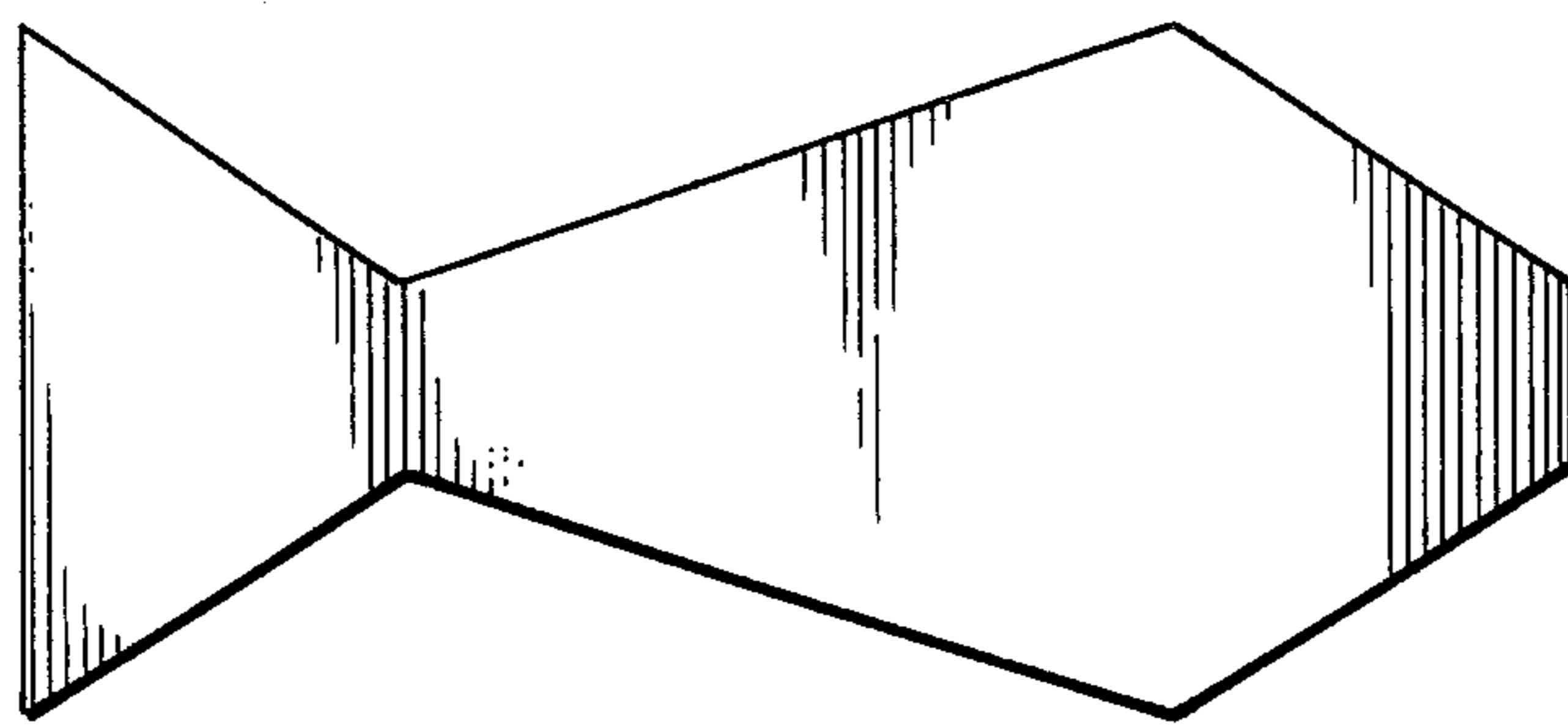


Fig. 2

Fig. 3

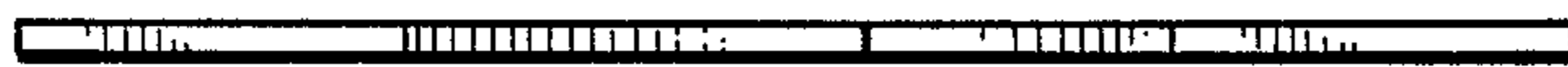
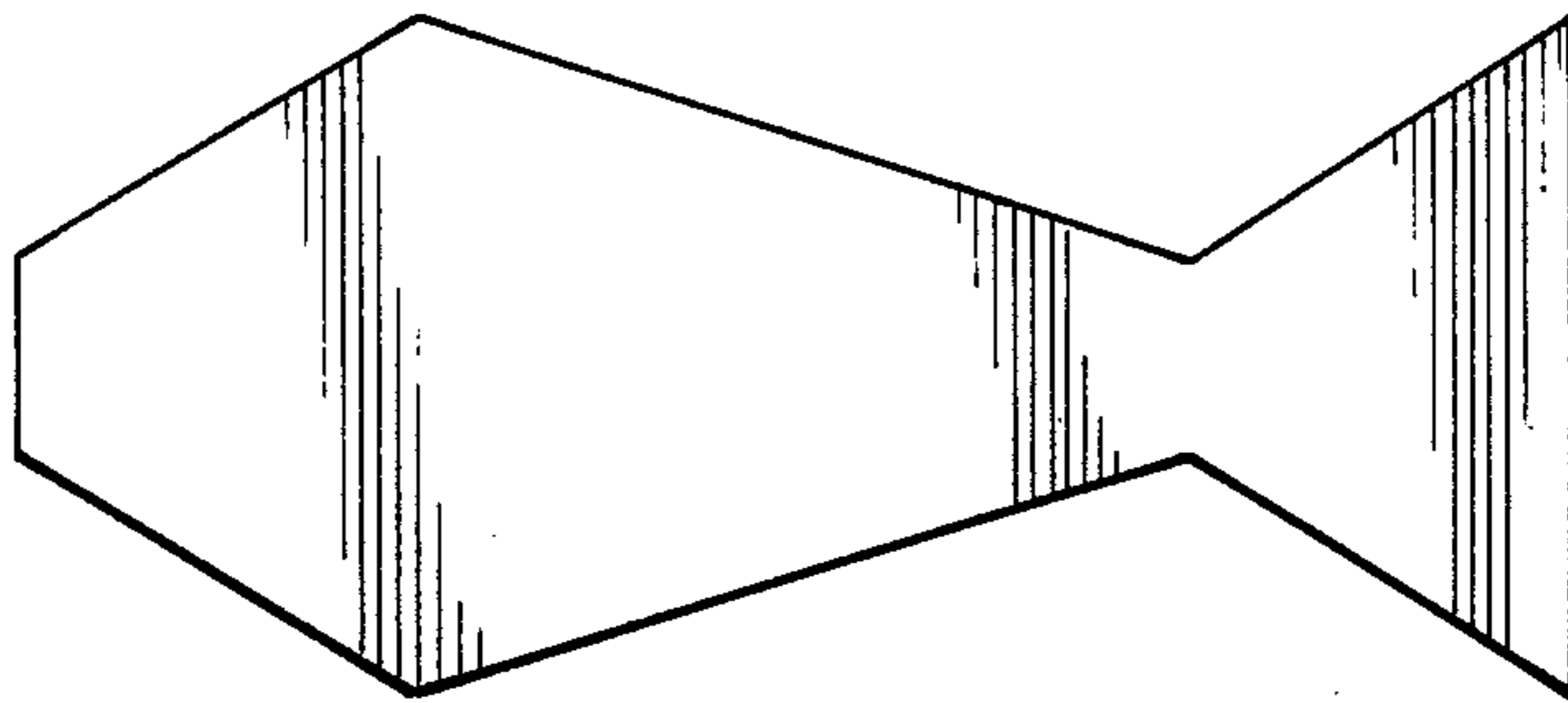


Fig. 4



Fig. 5