

[54] **SEATING UNIT**

[75] **Inventor: Robert L. Wilson, Memphis, Tenn.**

[73] **Assignee: Chromcraft Furniture Corp.,
Senatobia, Miss.**

[**] **Term: 14 Years**

[21] **Appl. No.: 31,832**

[22] **Filed: Mar. 30, 1987**

[52] **U.S. Cl. D6/502; D6/366**

[58] **Field of Search D6/374, 379, 372, 334,
D6/502**

[56] **References Cited**

U.S. PATENT DOCUMENTS

D. 80,605	3/1930	Chapman	D6/369
D. 272,967	3/1984	Umanoff	D6/372
D. 297,600	9/1988	Wilson	D6/502

OTHER PUBLICATIONS

Interiors, Jan. 1984, p. 96, chair.
Interiors, Feb. 1984, p. 48, chair, top right corner.

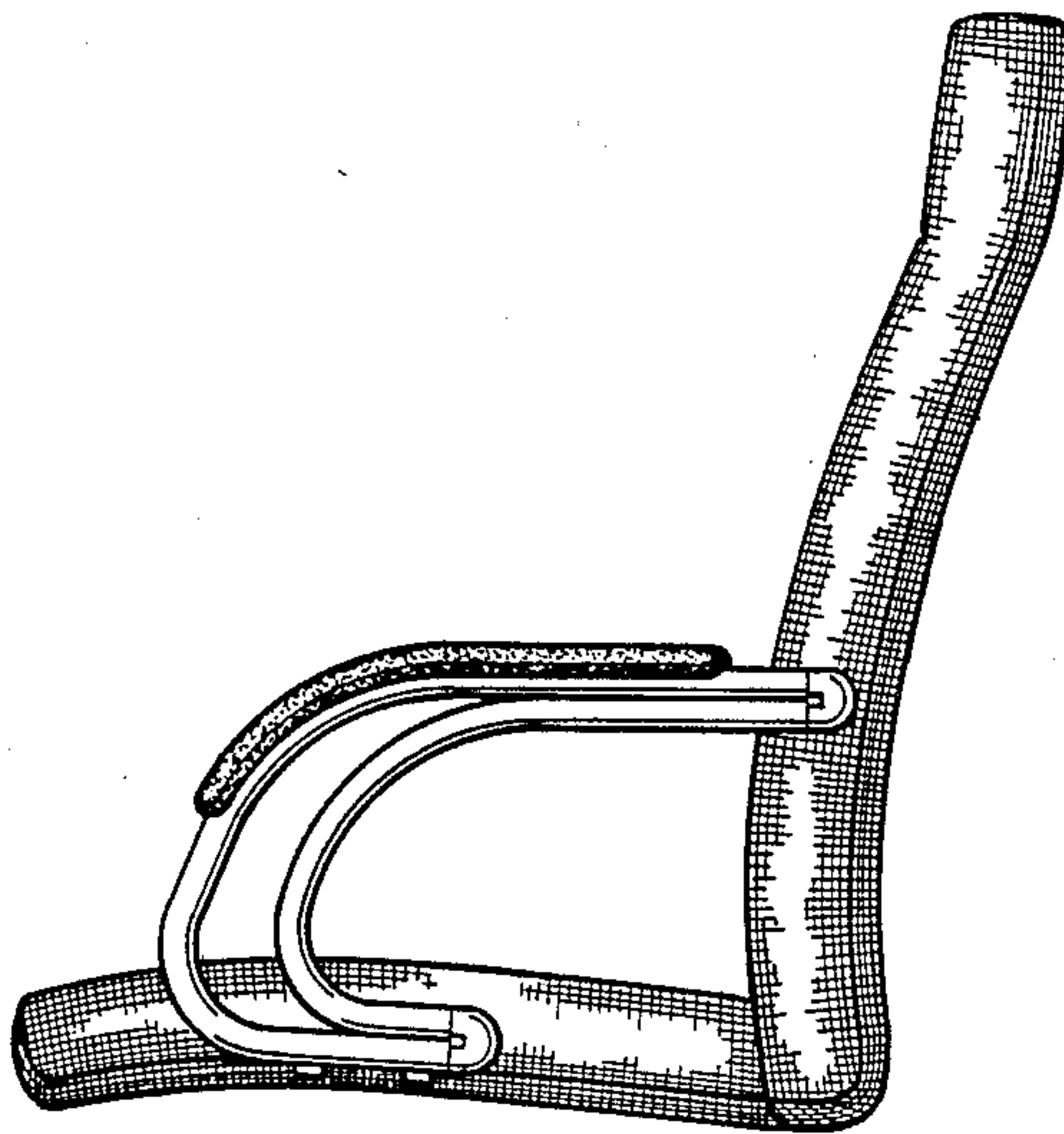
Primary Examiner—Bruce W. Dunkins
Assistant Examiner—Ann Hunt
Attorney, Agent, or Firm—Wolf, Greenfield & Sacks,
Inc.

[57] **CLAIM**

The ornamental design for a seating unit, as shown and described.

DESCRIPTION

FIG. 1 is a front elevational view of the seating unit showing my new design;
FIG. 2 is a right side elevational view;
FIG. 3 is a rear elevational view;
FIG. 4 is a top plan view; and
FIG. 5 is a bottom plan view thereof;
FIG. 6 is a front elevational view of a second embodiment of the seating unit showing my new design;
FIG. 7 is a right side elevational view;
FIG. 8 is a rear elevational view; and
FIG. 9 is a top plan view thereof.
The broken lines depicting a pedestal in FIGS. 1 and 6 have been shown for illustrative purposes only and form no part of the claimed design.



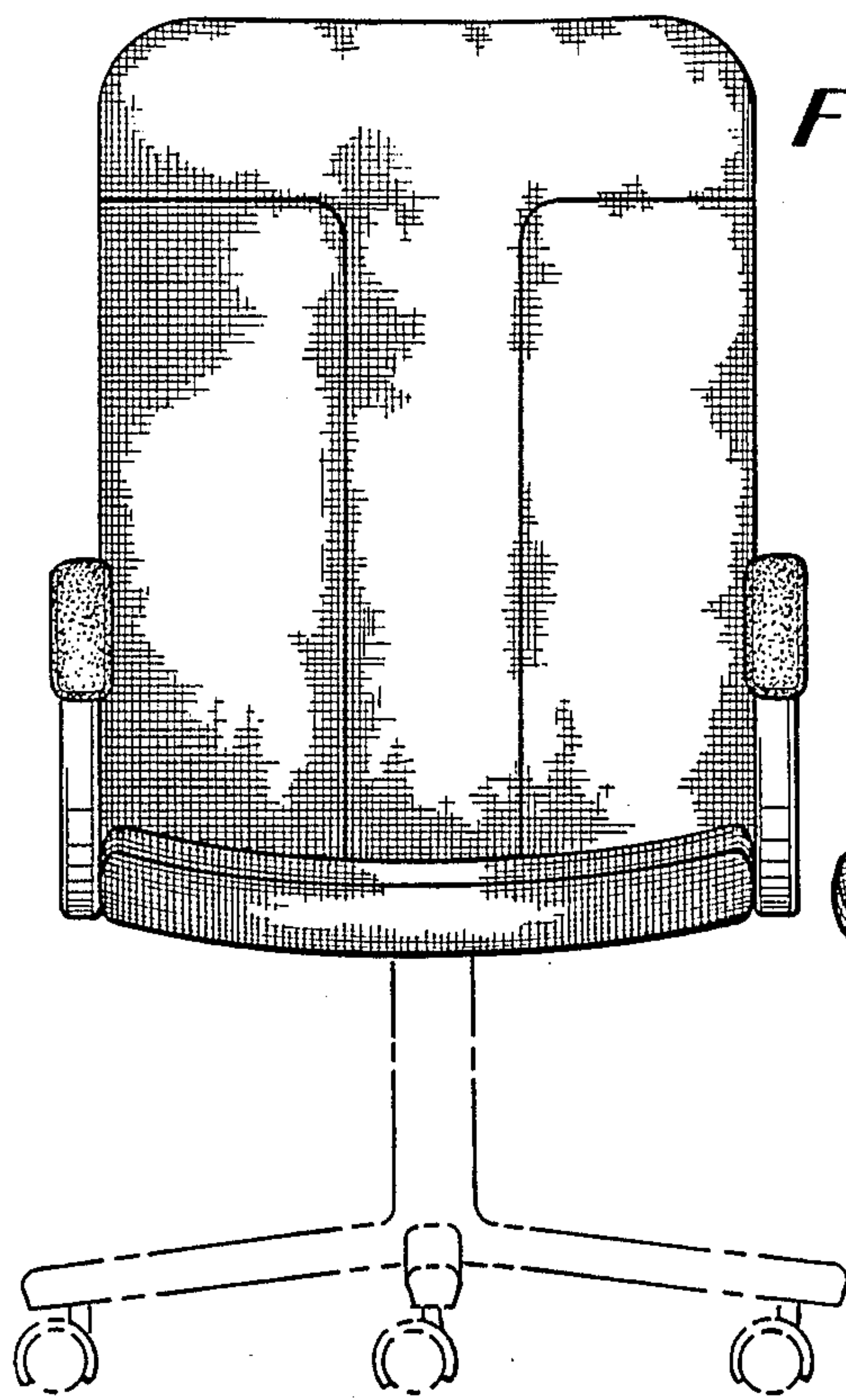


Fig. 1

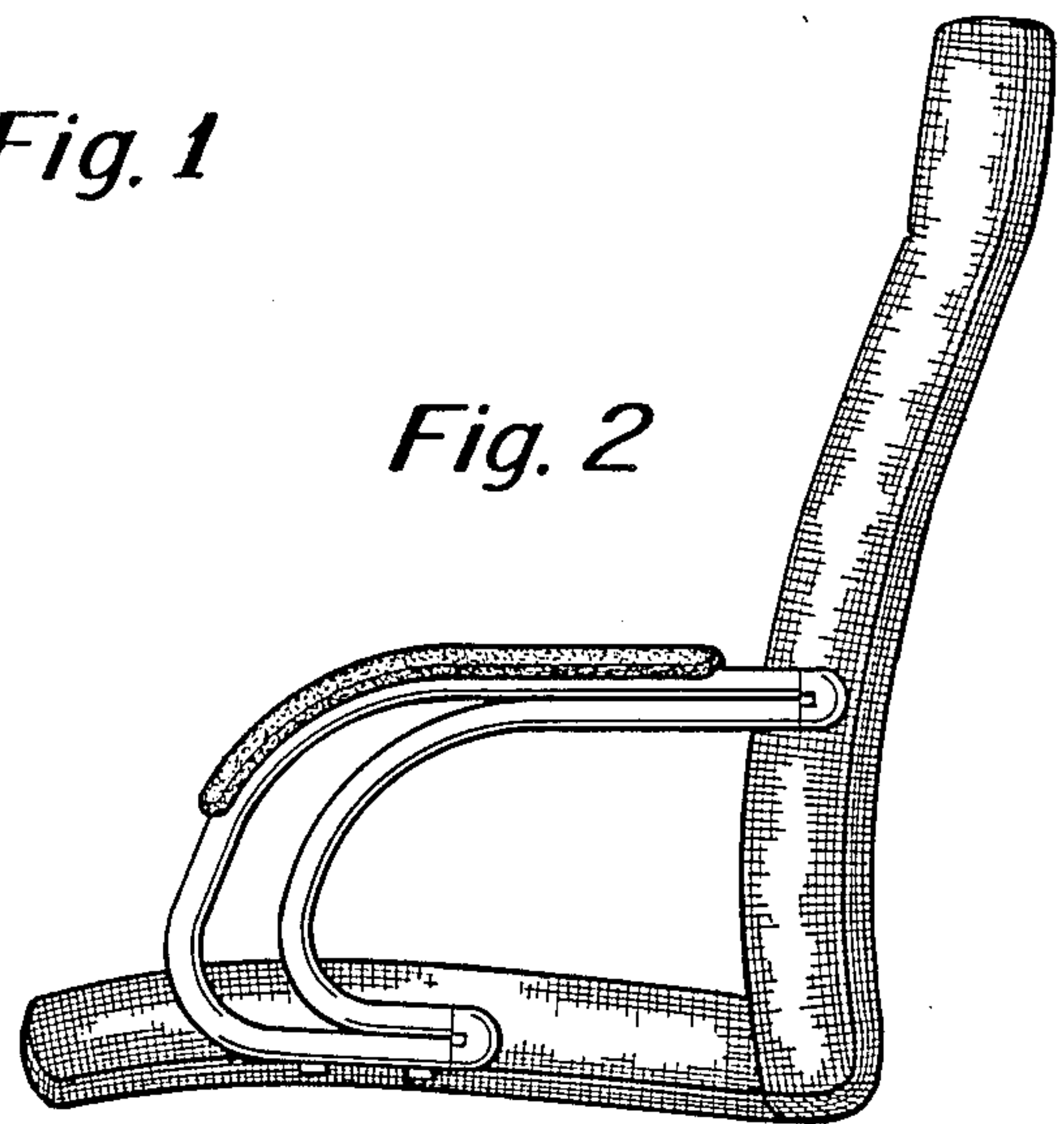


Fig. 2

Fig. 3

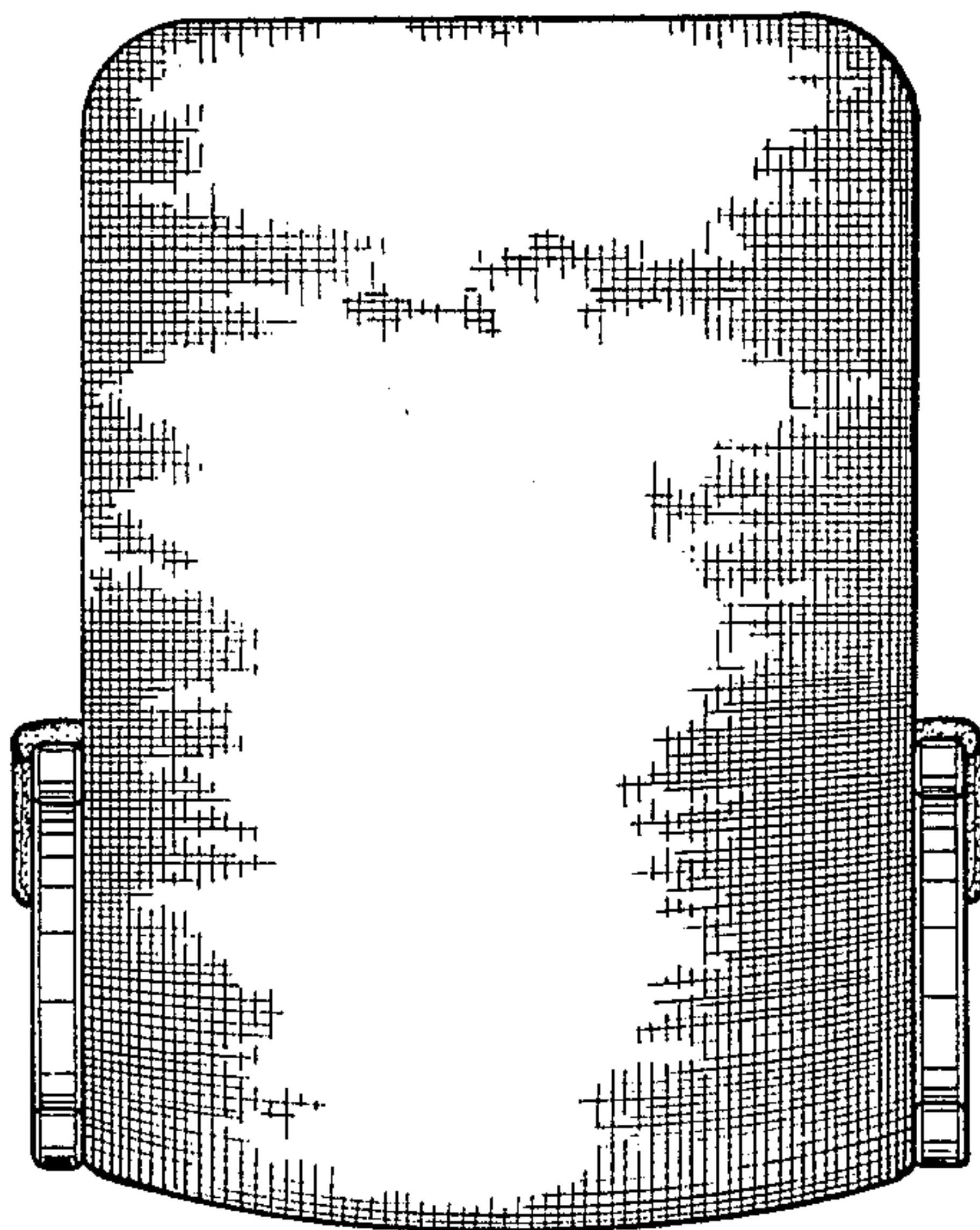


Fig. 4

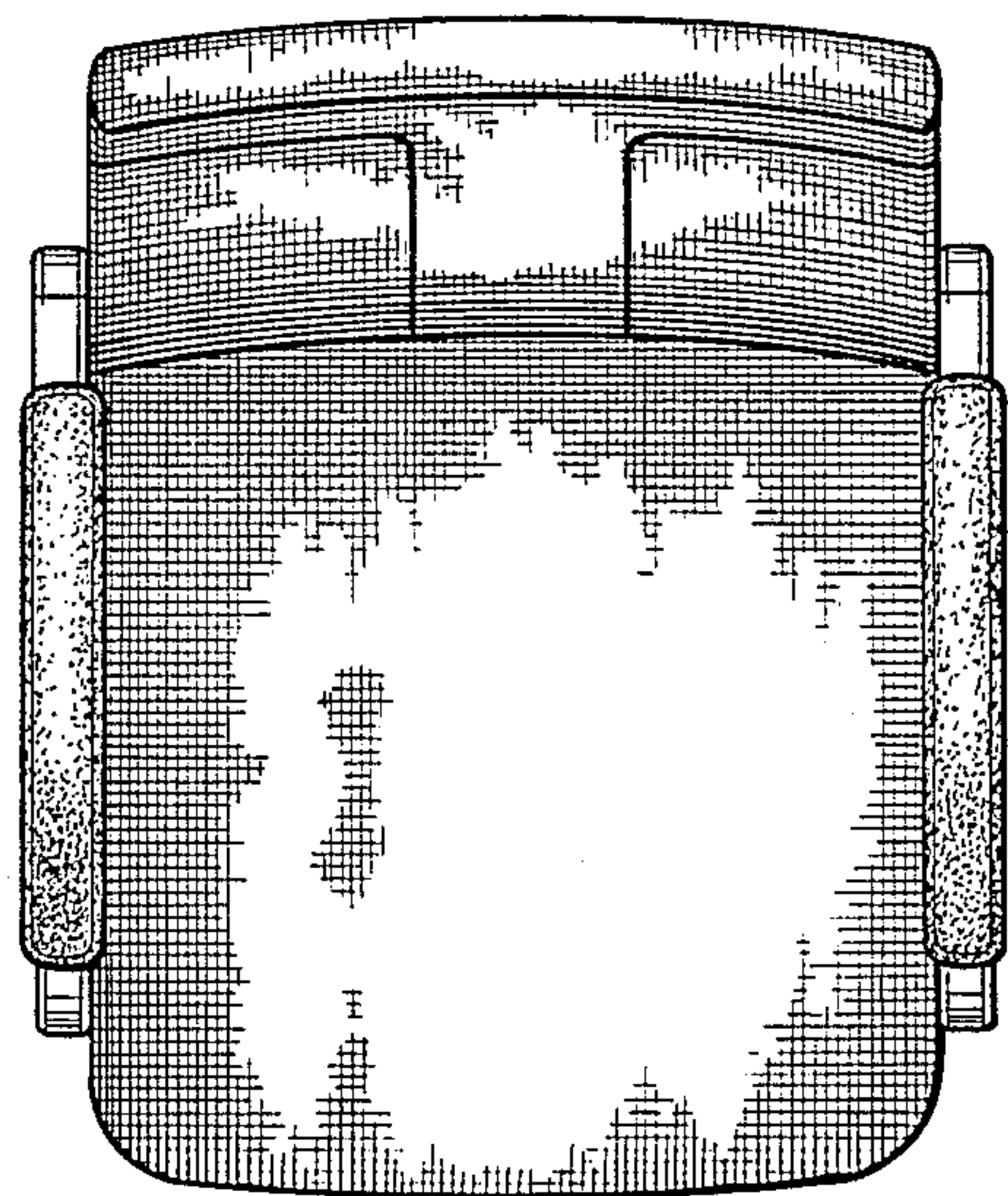


Fig. 5

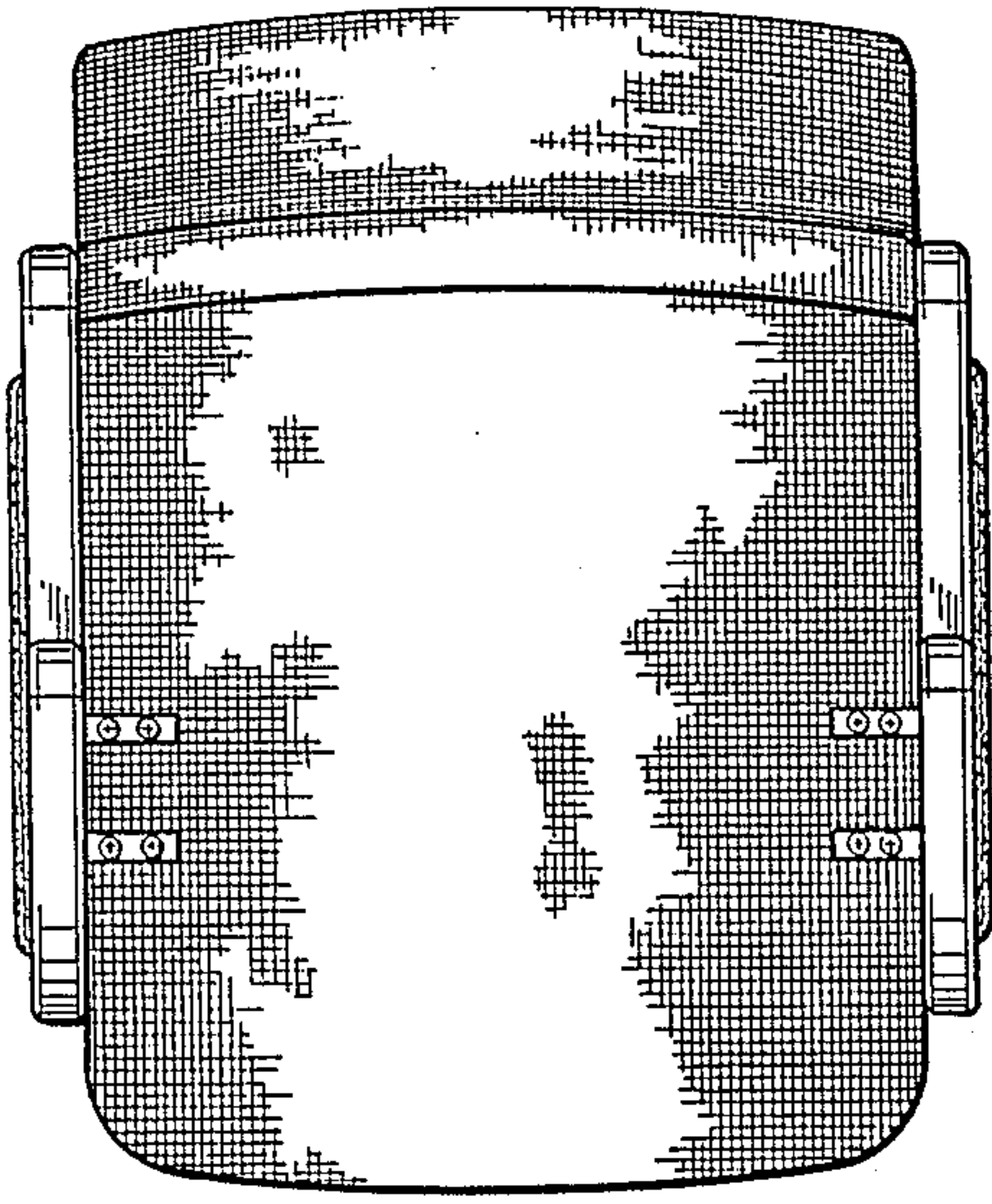


Fig. 6

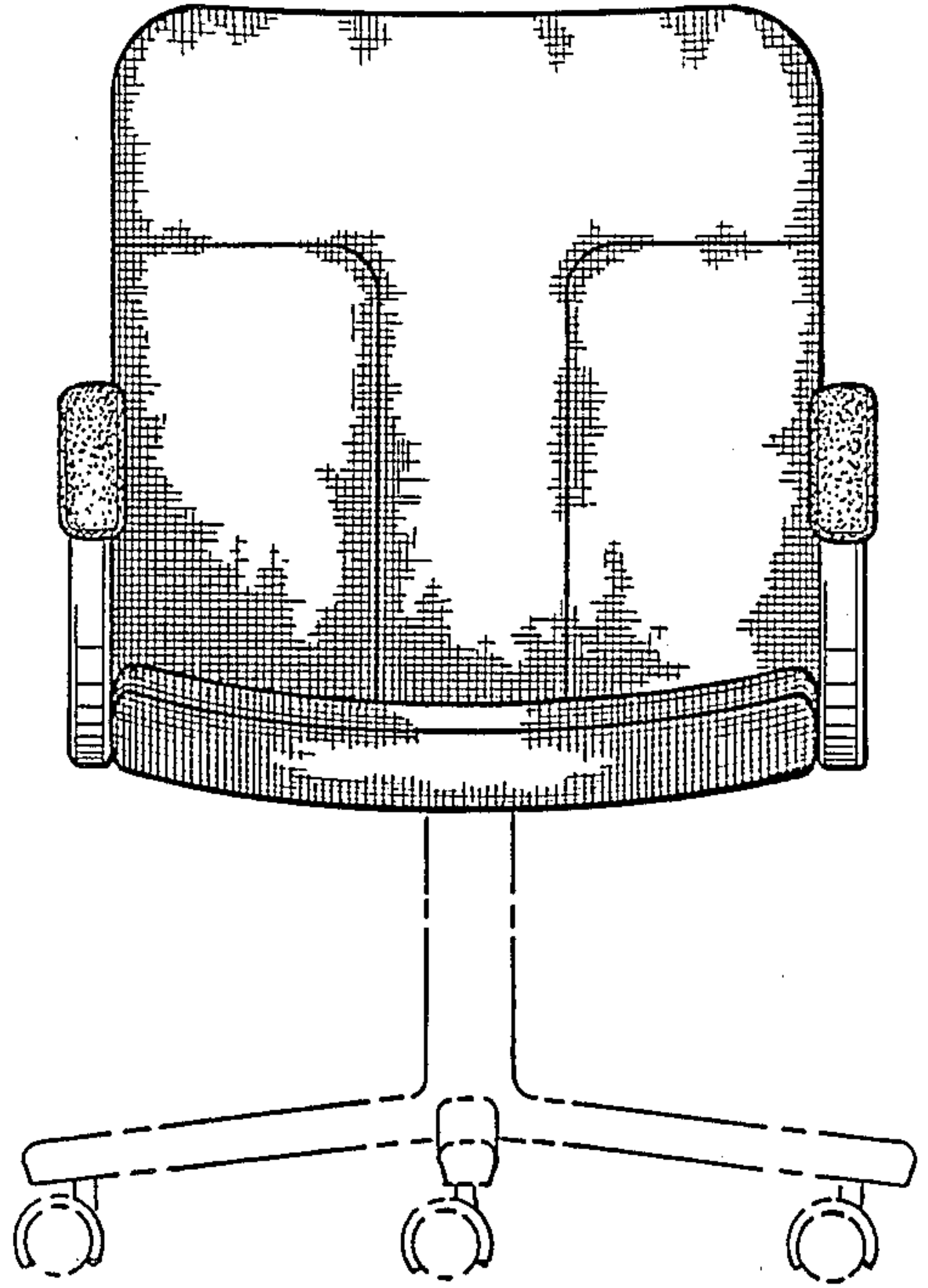


Fig. 7

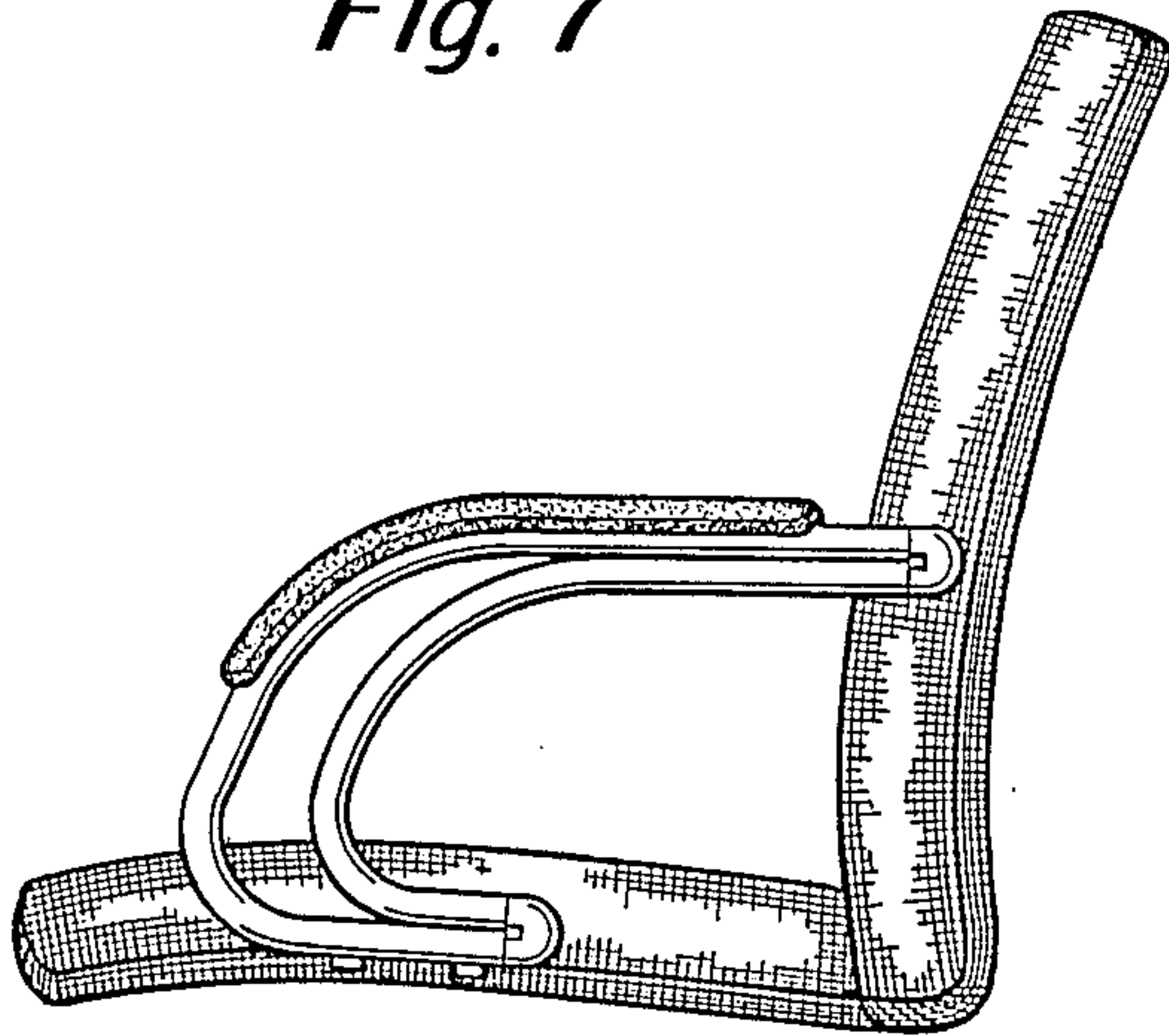


Fig. 8

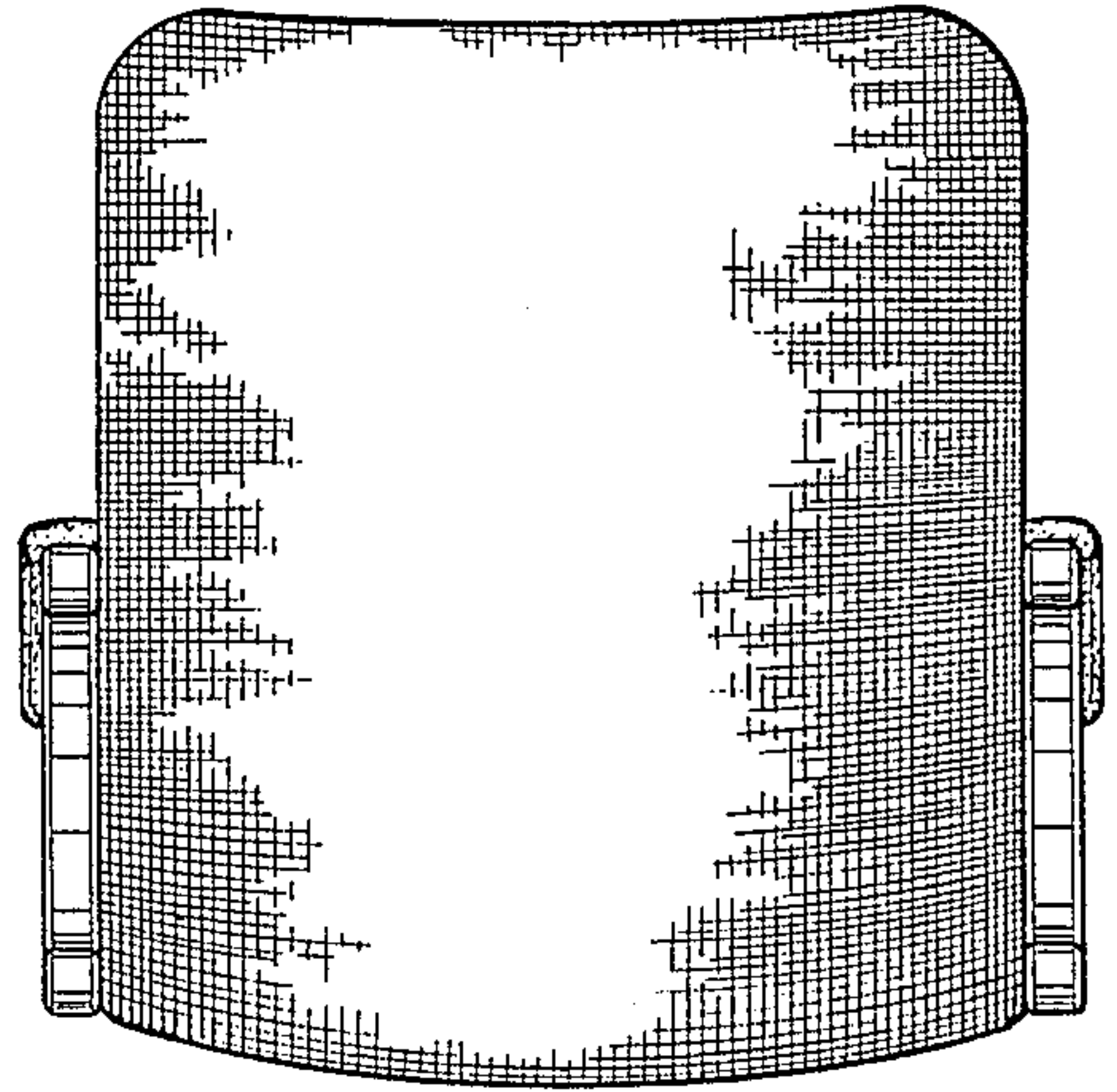


Fig. 9

