

[54] LUGGAGE CASE

DESCRIPTION

[75] Inventors: William L. King, Denver; Roger D. Winter, Lakewood, both of Colo.

[73] Assignee: Samsonite Corporation, Denver, Colo.

[**] Term: 14 Years

[21] Appl. No.: 827,645

[22] Filed: Feb. 11, 1986

[52] U.S. Cl. D3/76

[58] Field of Search D3/76, 77, 72, 73, 74; 190/18 A, 101, 115, 118, 119, 126, 127

[56] References Cited

U.S. PATENT DOCUMENTS

D. 51,437	10/1917	Blanke	D3/76
D. 179,016	10/1956	Koffler	D3/76
D. 185,511	6/1959	Powell	D3/76
D. 208,518	9/1967	Stoy	D3/76
D. 285,145	8/1986	Hsieh	D3/72
D. 286,466	11/1986	King et al.	D3/77
2,950,793	8/1960	Axtell	D3/76 X
3,141,536	7/1964	Fulton	190/119
3,799,568	3/1974	Hager	190/18 A

OTHER PUBLICATIONS

Vogue Magazine, Jun. 1950, p. 13, Wheary Luggage.
 Luggage and Leather Goods, Feb., 1970, p. 83, upper right, Classic Halliburton Case.
 Luggage and Leather Goods, Mar., 1974, back cover, Silhouette by Samsonite.
 Luggage and Travelware, Mar., 1979, back cover, Silhouette II by Samsonite.

Primary Examiner—Melvin B. Feifer
 Assistant Examiner—Lucy Lieberman
 Attorney, Agent, or Firm—Gregory W. O'Connor

[57] CLAIM

The ornamental design for a luggage case, as shown and described.

FIG. 1 is a perspective view of a luggage case showing our new design;
 FIG. 2 is a front elevational view thereof, the rear elevational view being a mirror image thereof;
 FIG. 3 is a side elevational view thereof, showing the side opposite that shown in FIG. 1;
 FIG. 4 is a top plan view thereof;
 FIG. 5 is a bottom plan view thereof;
 FIG. 6 is a perspective view of an alternate embodiment of the luggage case;
 FIG. 7 is a front elevational view of the second embodiment, the rear elevational view being a mirror image thereof;
 FIG. 8 is a side elevational view of the embodiment of FIG. 6 showing the side opposite that shown in FIG. 6;
 FIG. 9 is a top plan view of the embodiment of FIG. 6;
 FIG. 10 is a bottom plan view of the embodiment of FIG. 6;
 FIG. 11 is a perspective view of a third embodiment of a luggage case showing our design;
 FIG. 12 is a front elevational view of the embodiment of FIG. 11, the rear elevational view being a mirror image thereof;
 FIG. 13 is a side elevational view of the embodiment of FIG. 11, showing the side opposite that shown in FIG. 11;
 FIG. 14 is a top plan view of the embodiment of FIG. 11;
 FIG. 15 is a bottom plan view of the embodiment of FIG. 11;
 FIG. 16 is a perspective view of still a fourth embodiment of a luggage case showing our design;
 FIG. 17 is a front elevational view of the embodiment of FIG. 16, the rear elevational view being a mirror image thereof;
 FIG. 18 is a side elevational view of the embodiment of FIG. 16 showing the side opposite the one shown in FIG. 16;
 FIG. 19 is a top plan view of the embodiment of FIG. 16; and
 FIG. 20 is a bottom plan view of the embodiment of FIG. 16.

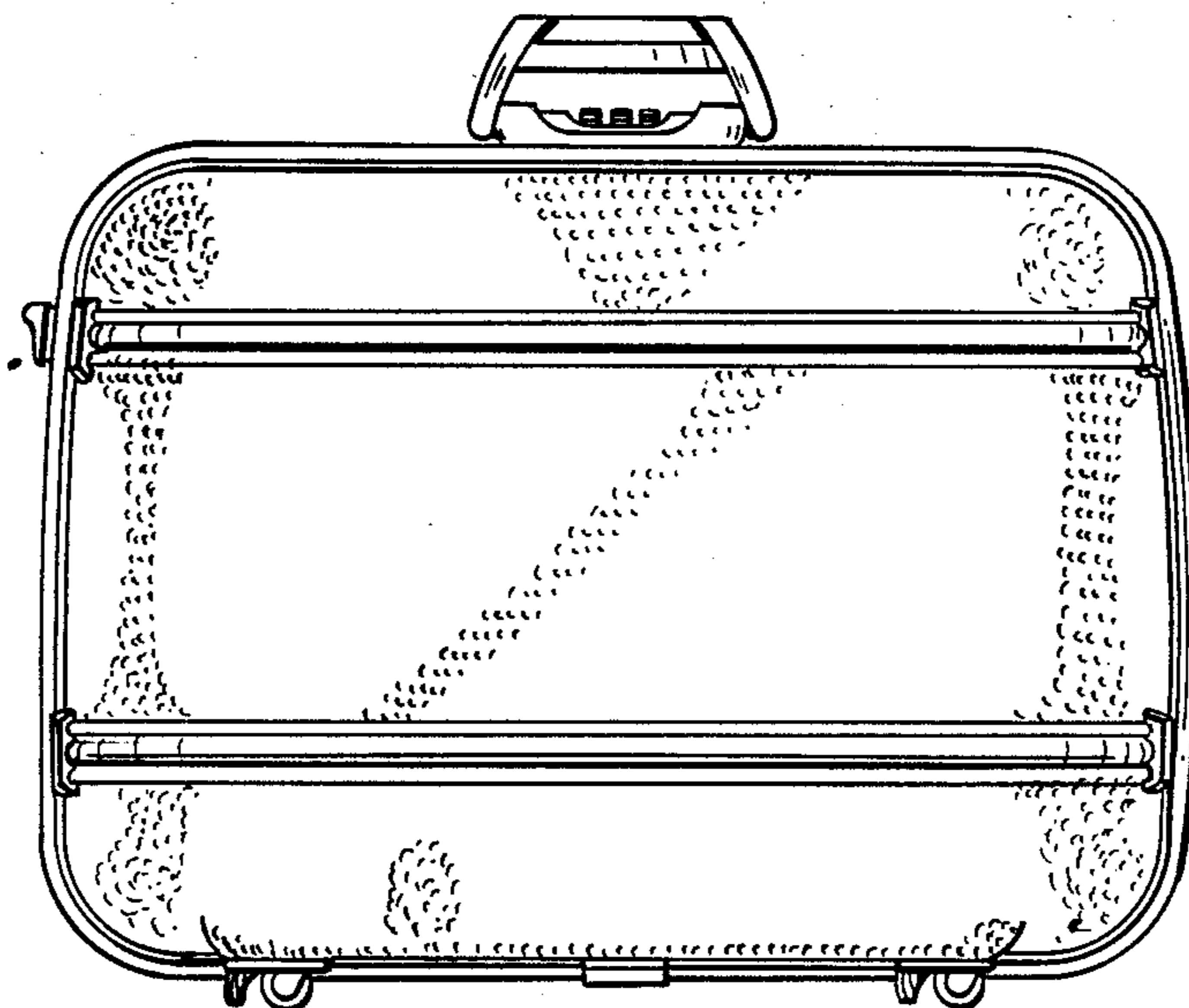


FIG. 1.

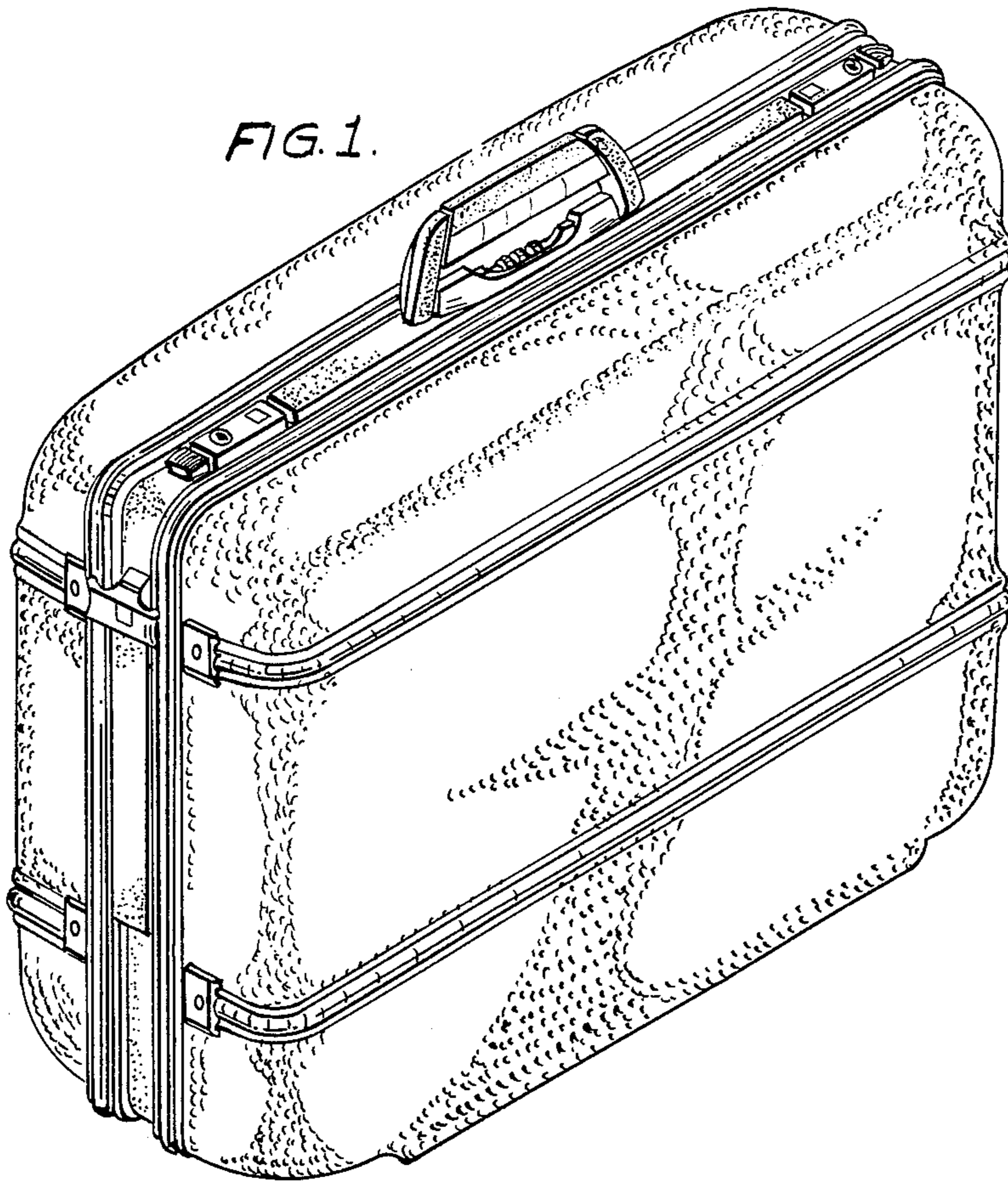


FIG. 2.

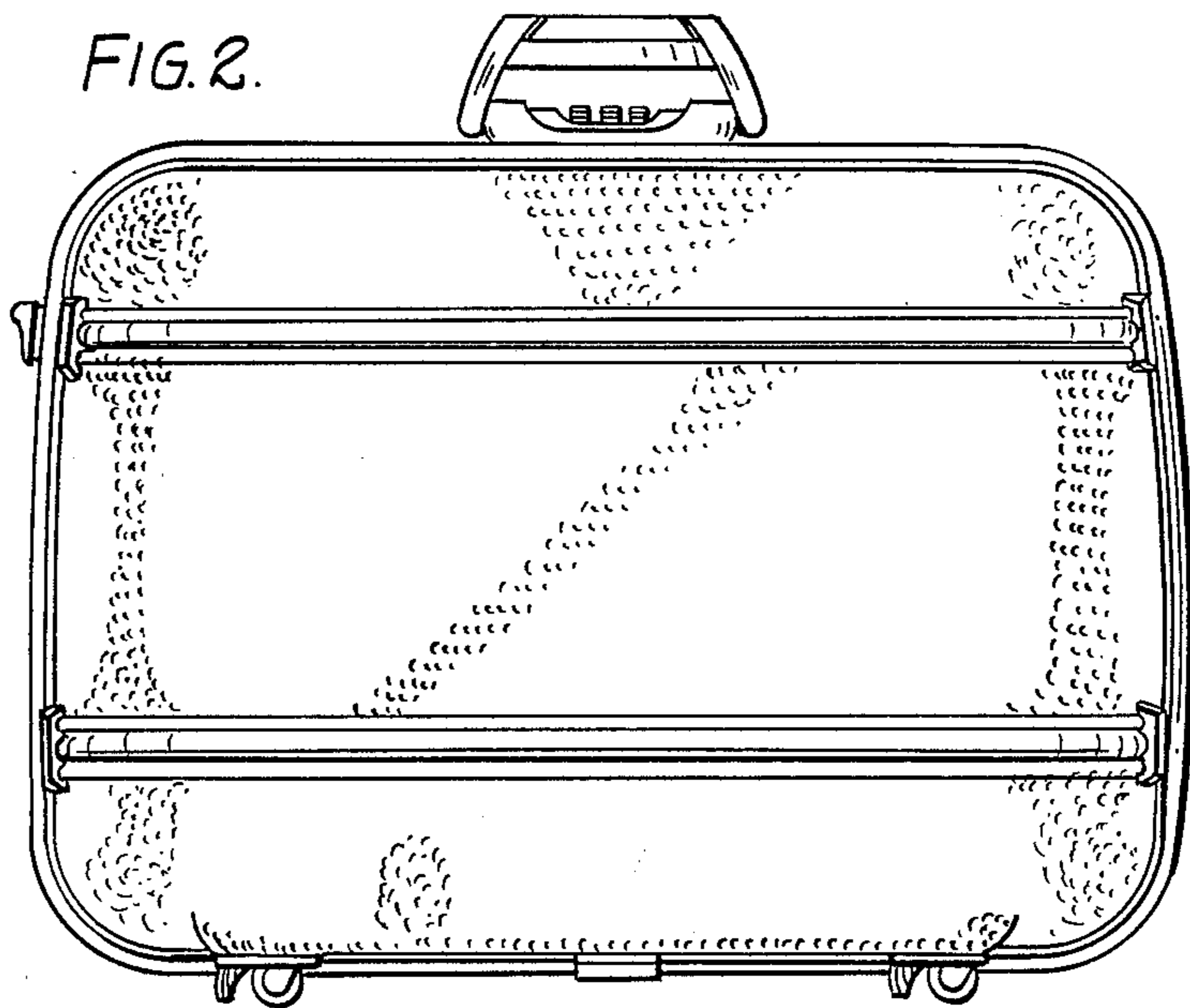


FIG. 3.

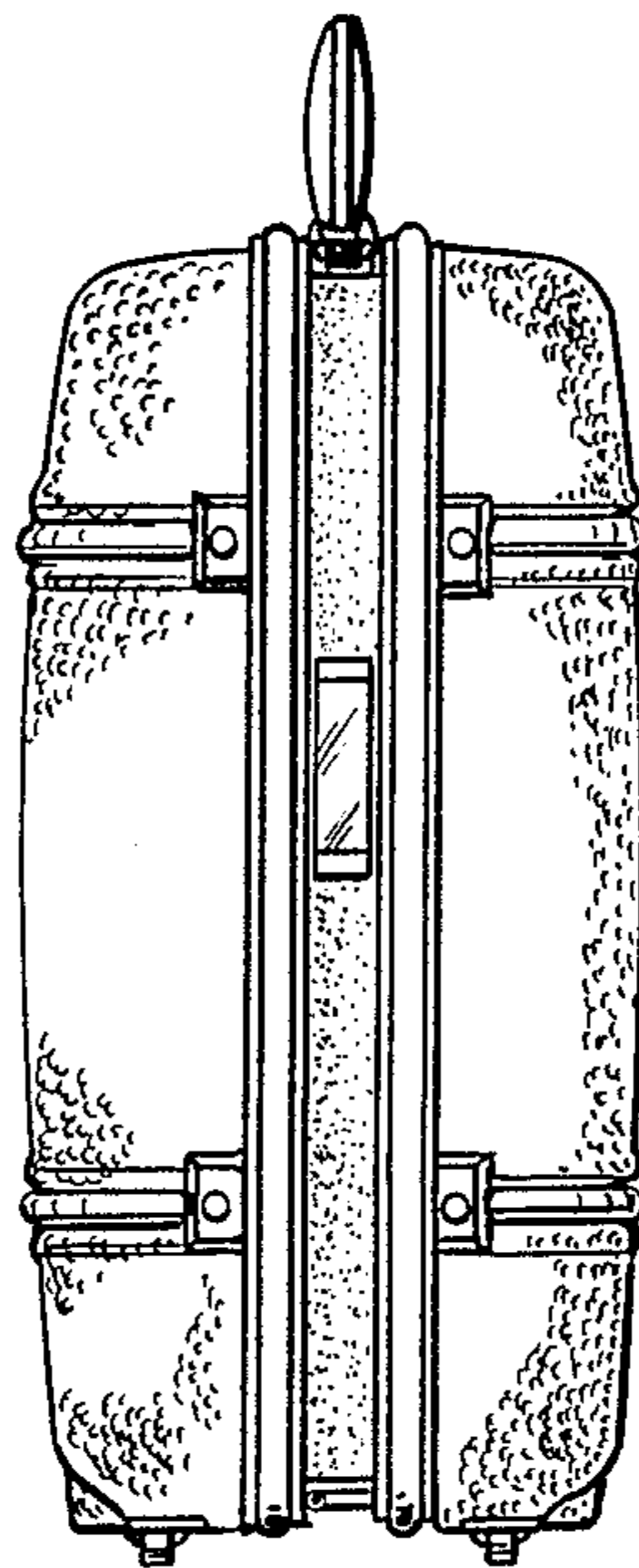


FIG. 4

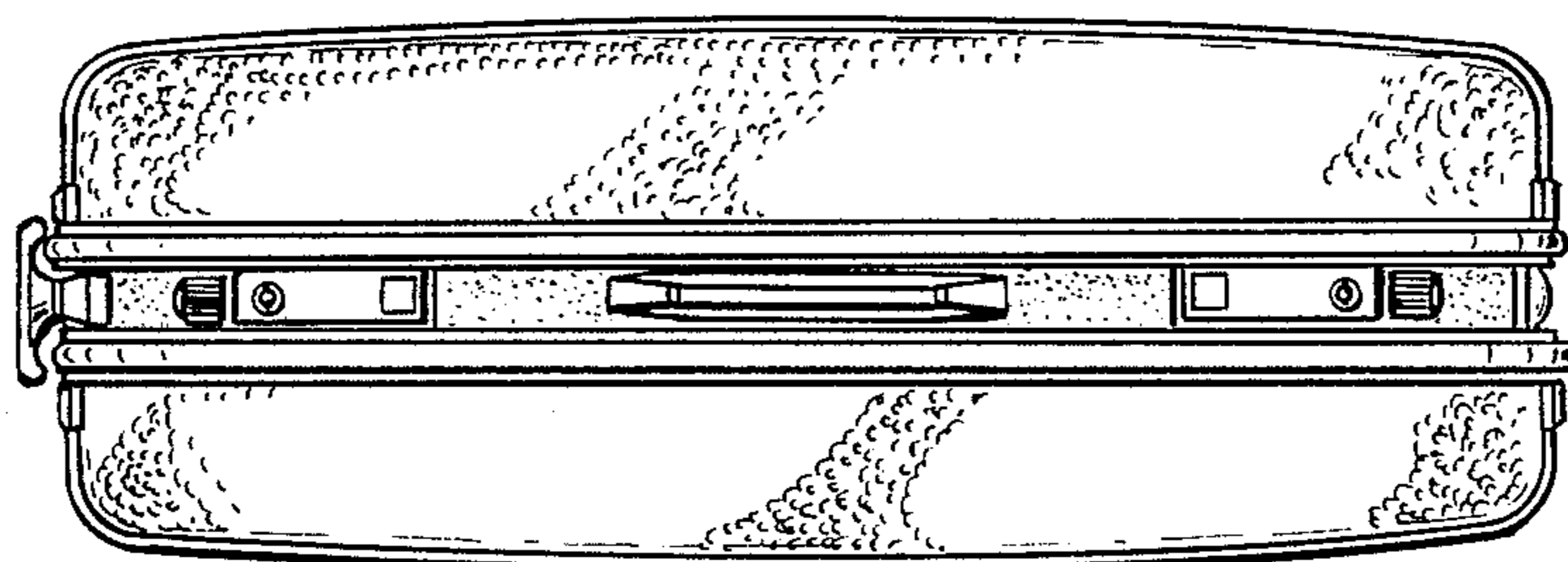


FIG. 5.

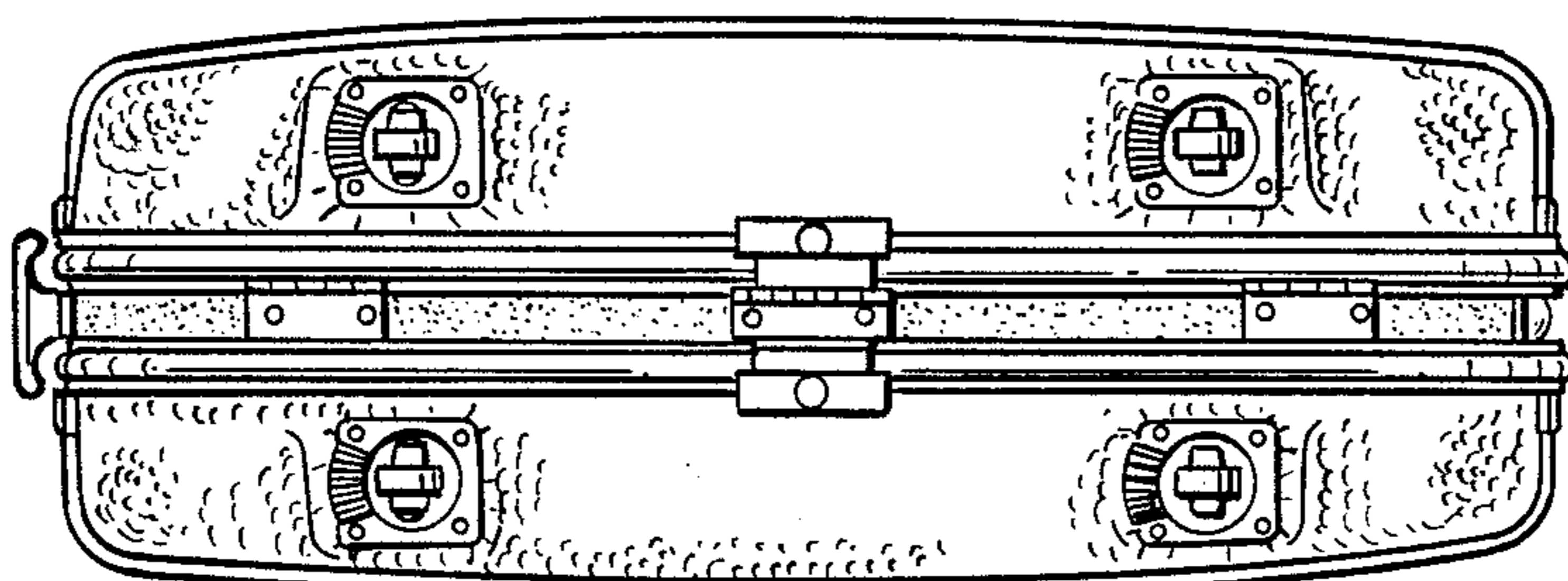


FIG. 6.

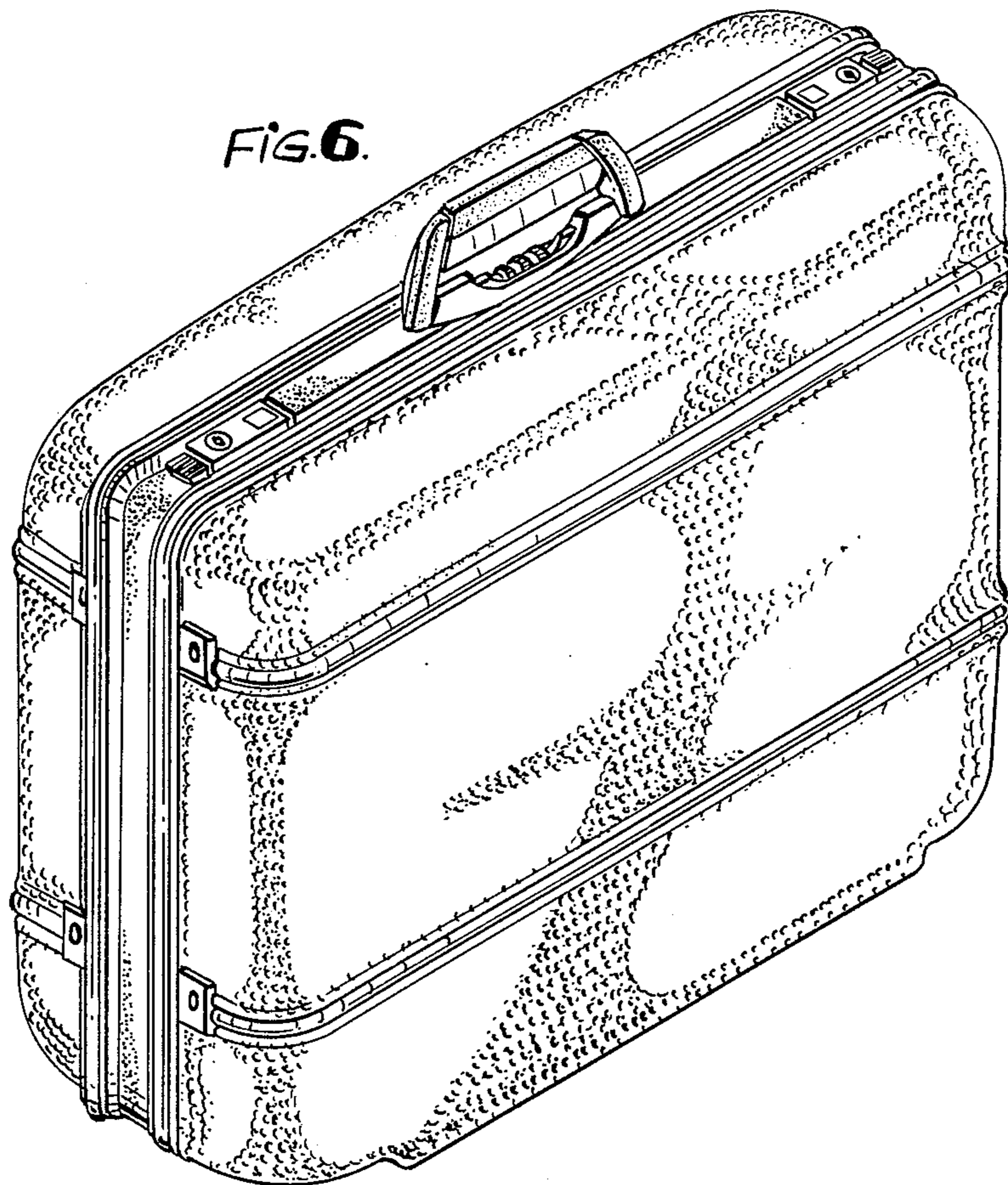


FIG. 7.

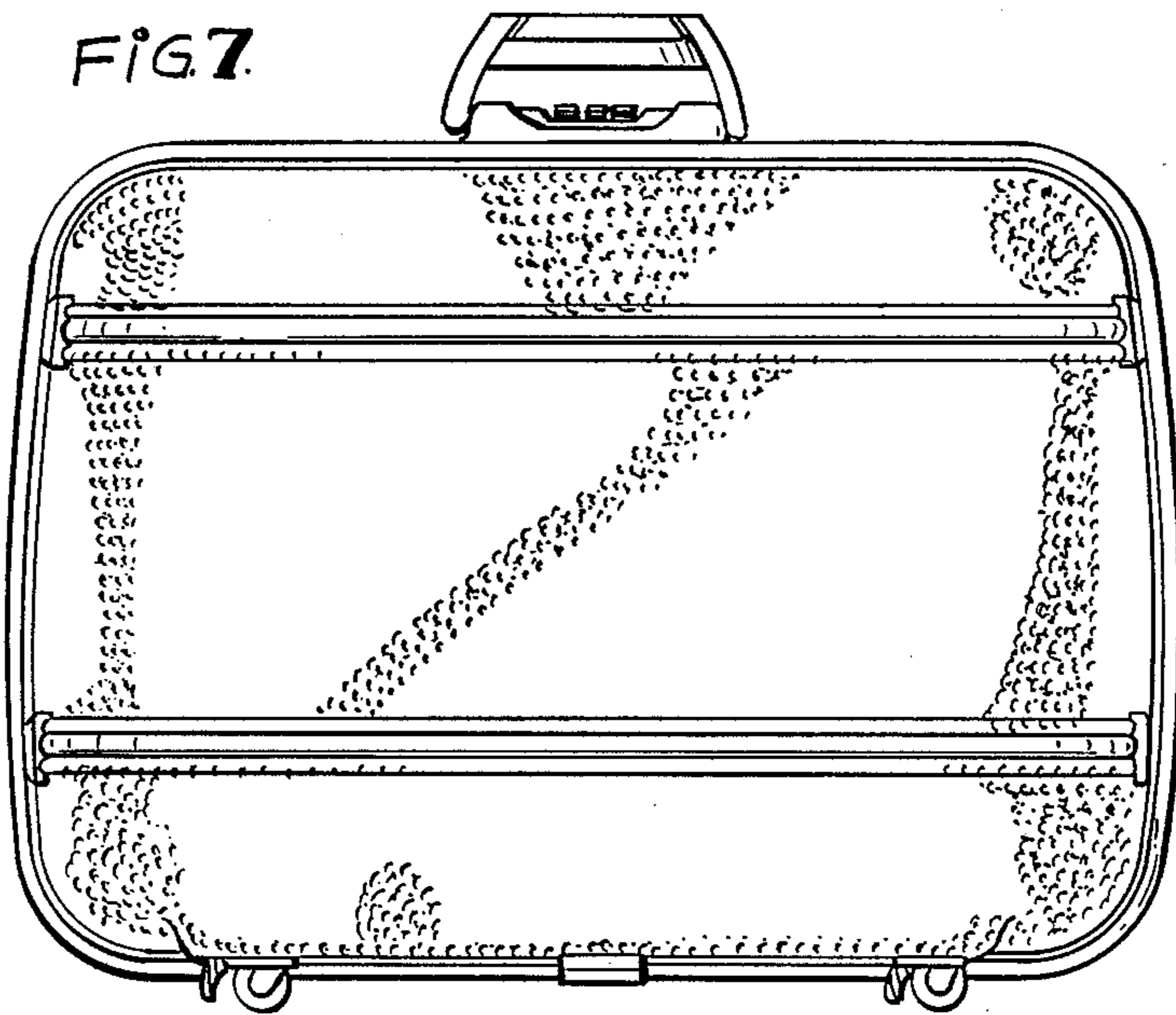


FIG. 8.

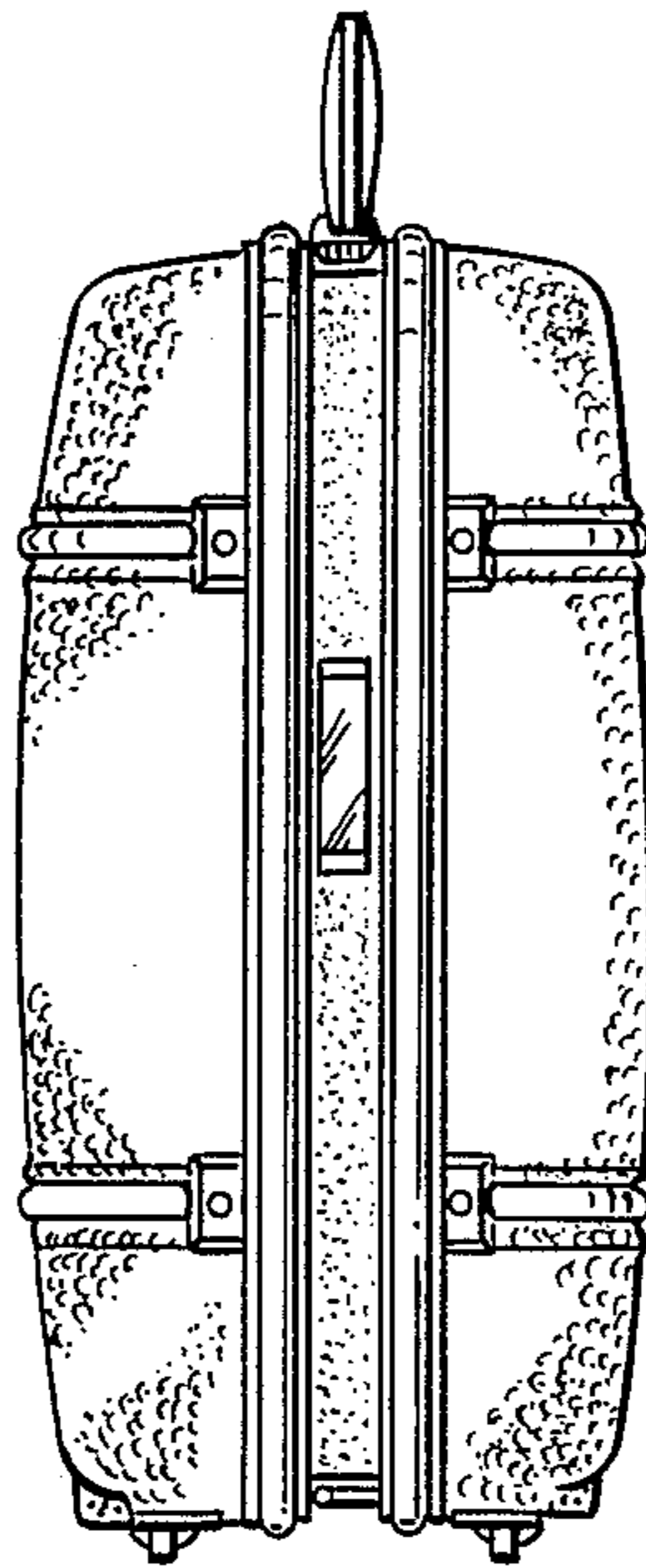


FIG. 9.

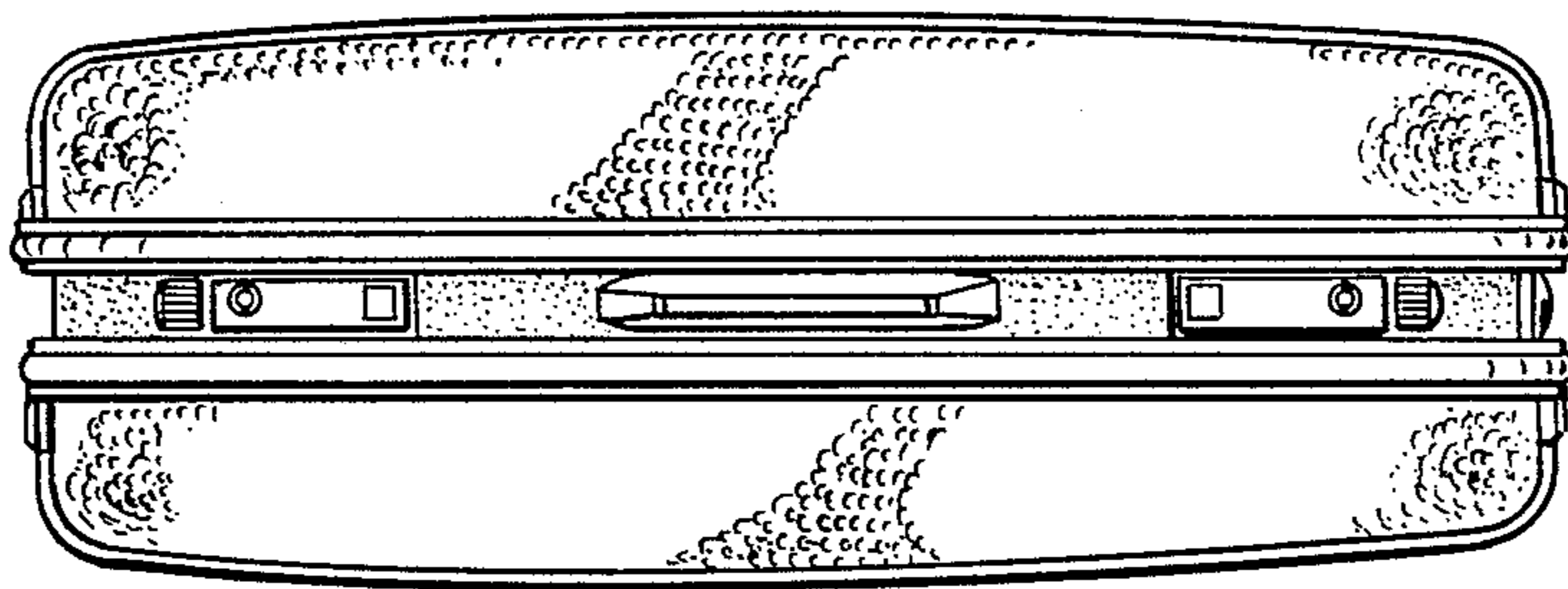


FIG. 10.

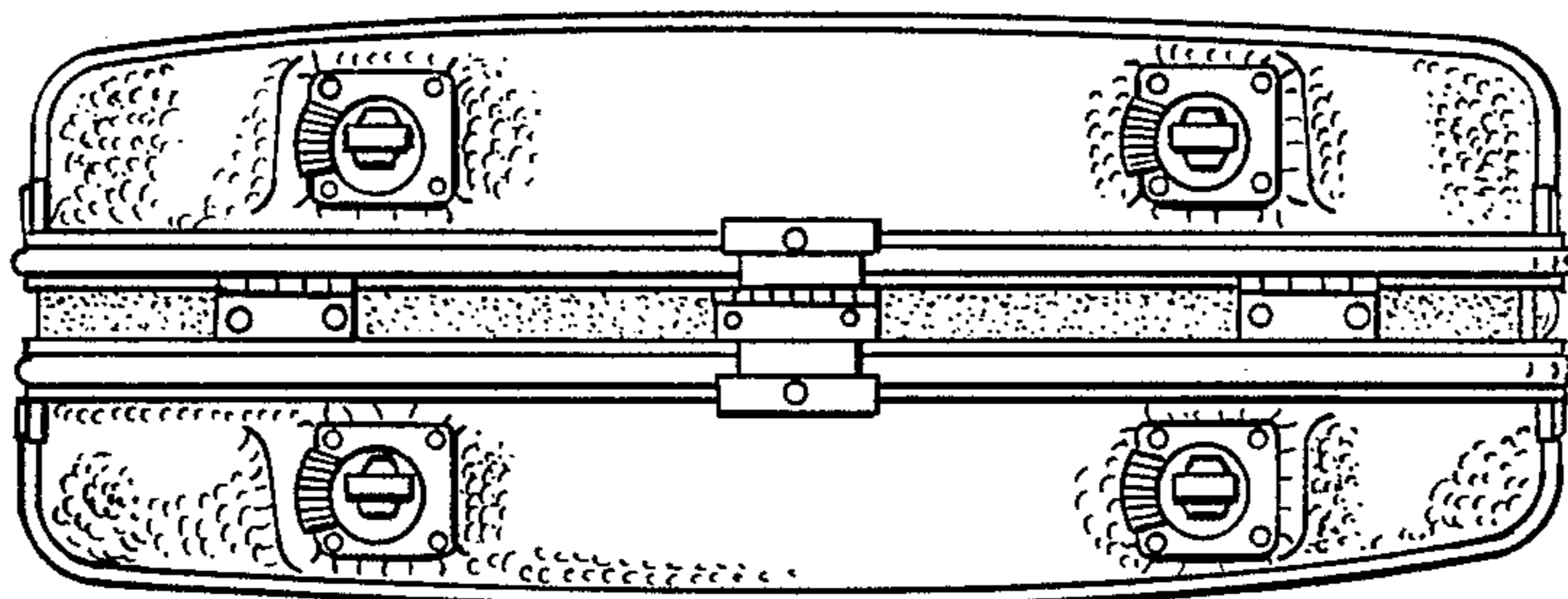


FIG. 11.



FIG. 12.

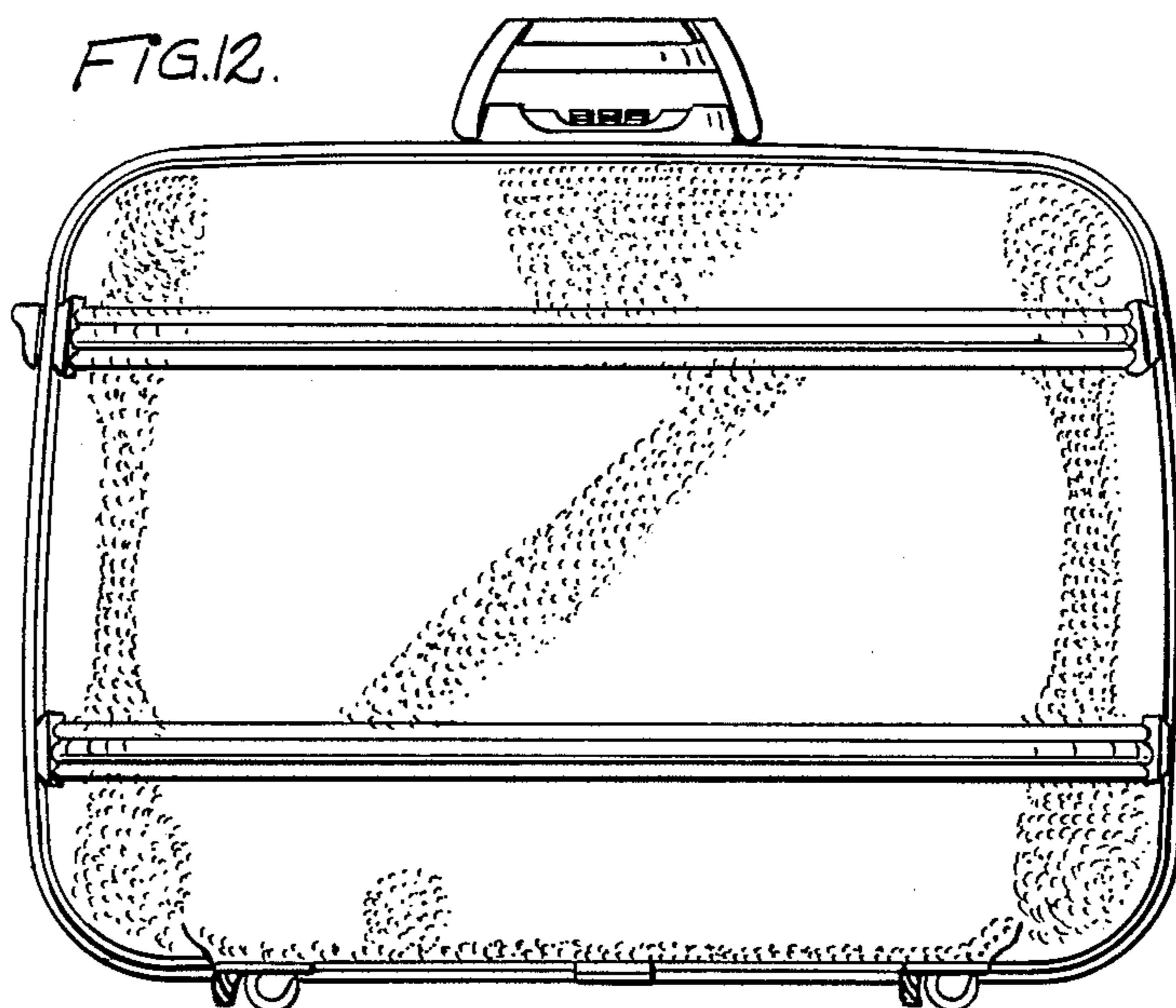


FIG. 13.

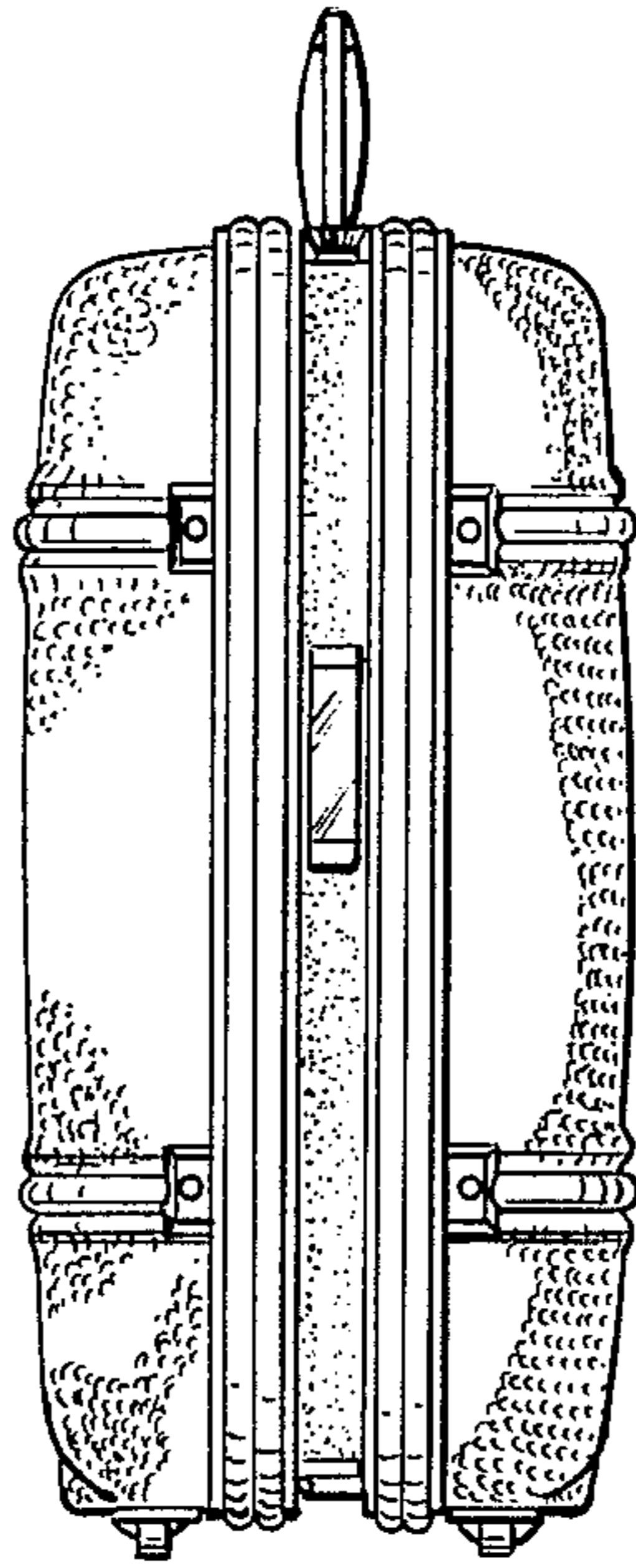


FIG. 14.

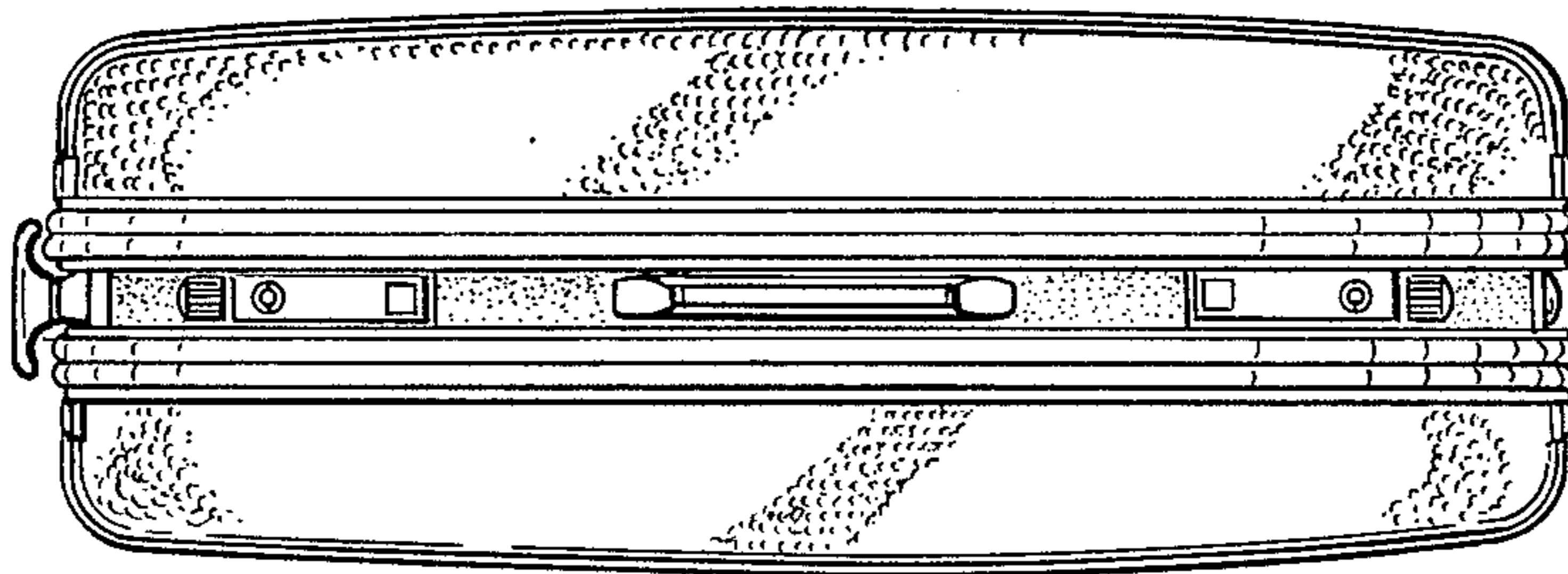


FIG. 15.

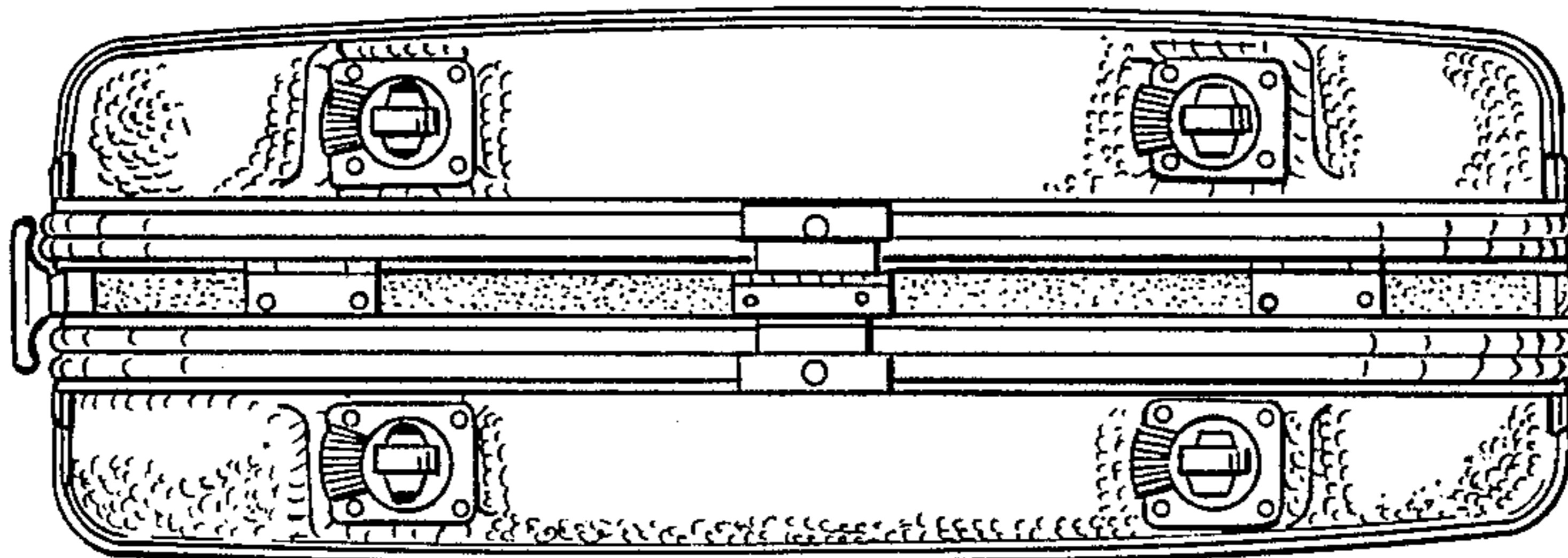


FIG. 16.



FIG. 17.

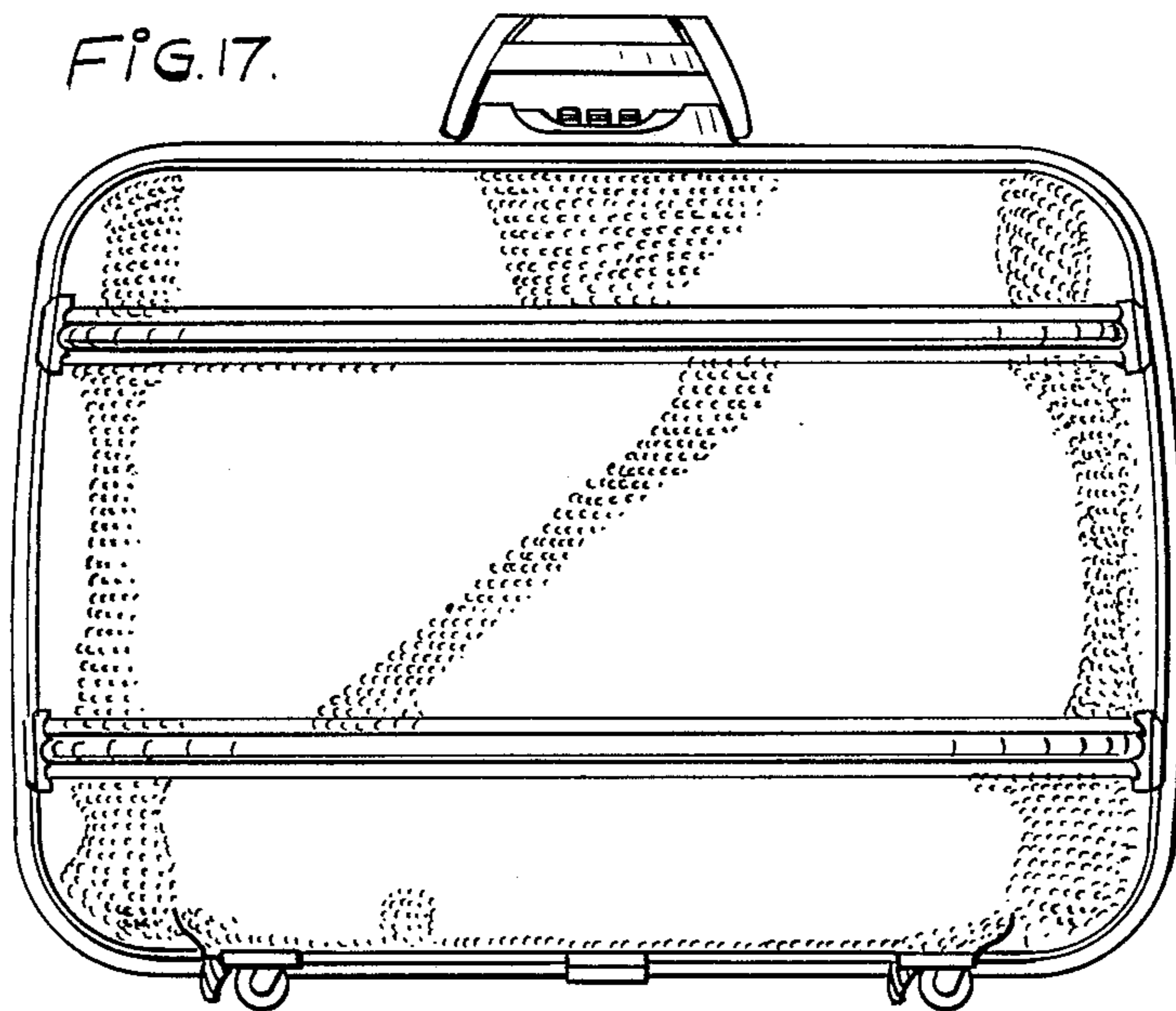


FIG. 18

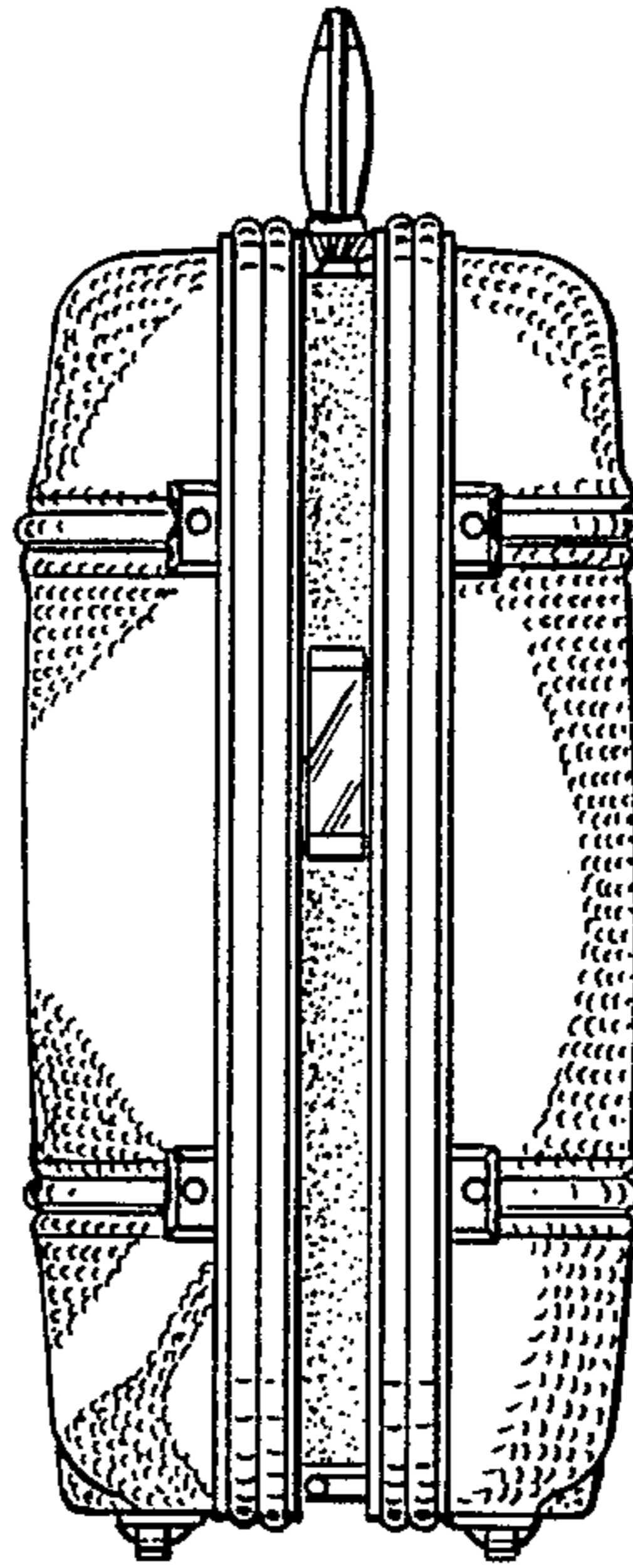


FIG. 19

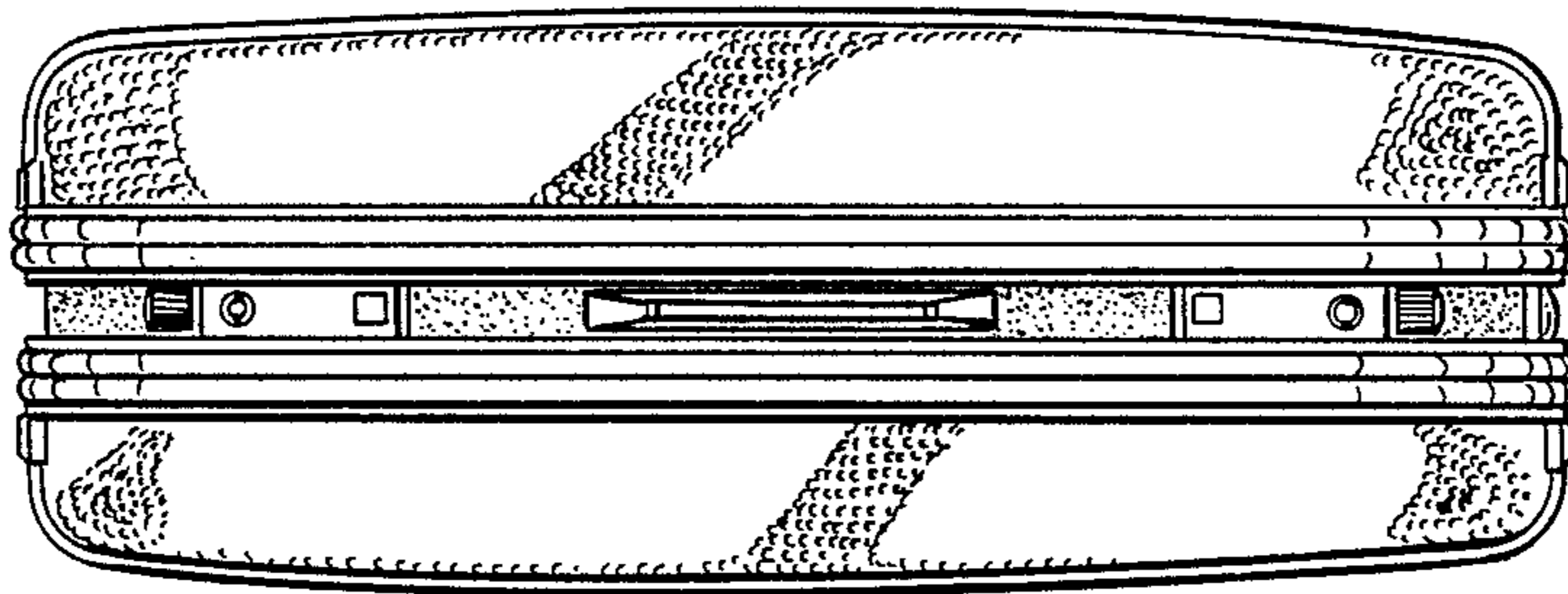


FIG. 20

