

[54] **KEY HOLDER**

[76] **Inventor: Chester M. Marlin, 36530 Jefferson,
No. 91, Mount Clemens, Mich. 48045**

[**] **Term: 14 Years**

[21] **Appl. No.: 172,854**

[22] **Filed: Mar. 25, 1988**

[52] **U.S. Cl. D3/61**

[58] **Field of Search D3/61-65;
D11/79; 70/456 R, 458, 459**

[56] **References Cited**

U.S. PATENT DOCUMENTS

- D. 245,371 8/1977 Mowry D3/61
- D. 259,073 5/1981 Holmes .
- D. 270,046 8/1983 Burkheimer .
- 2,734,624 2/1956 Kernicki .
- 2,859,789 11/1958 Buckett .
- 3,481,168 12/1969 Unter .
- 3,583,317 6/1971 Gibson D3/62
- 3,606,777 9/1971 Watson .

- 3,933,017 1/1976 Shee .
- 4,037,716 7/1977 Marks 70/456 R
- 4,125,920 11/1978 Grimes .
- 4,422,315 12/1983 Klose .
- 4,454,737 1/1984 Toyoda .
- 4,637,236 1/1987 Almblad 70/458
- 4,677,835 7/1987 Almblad 70/456 R

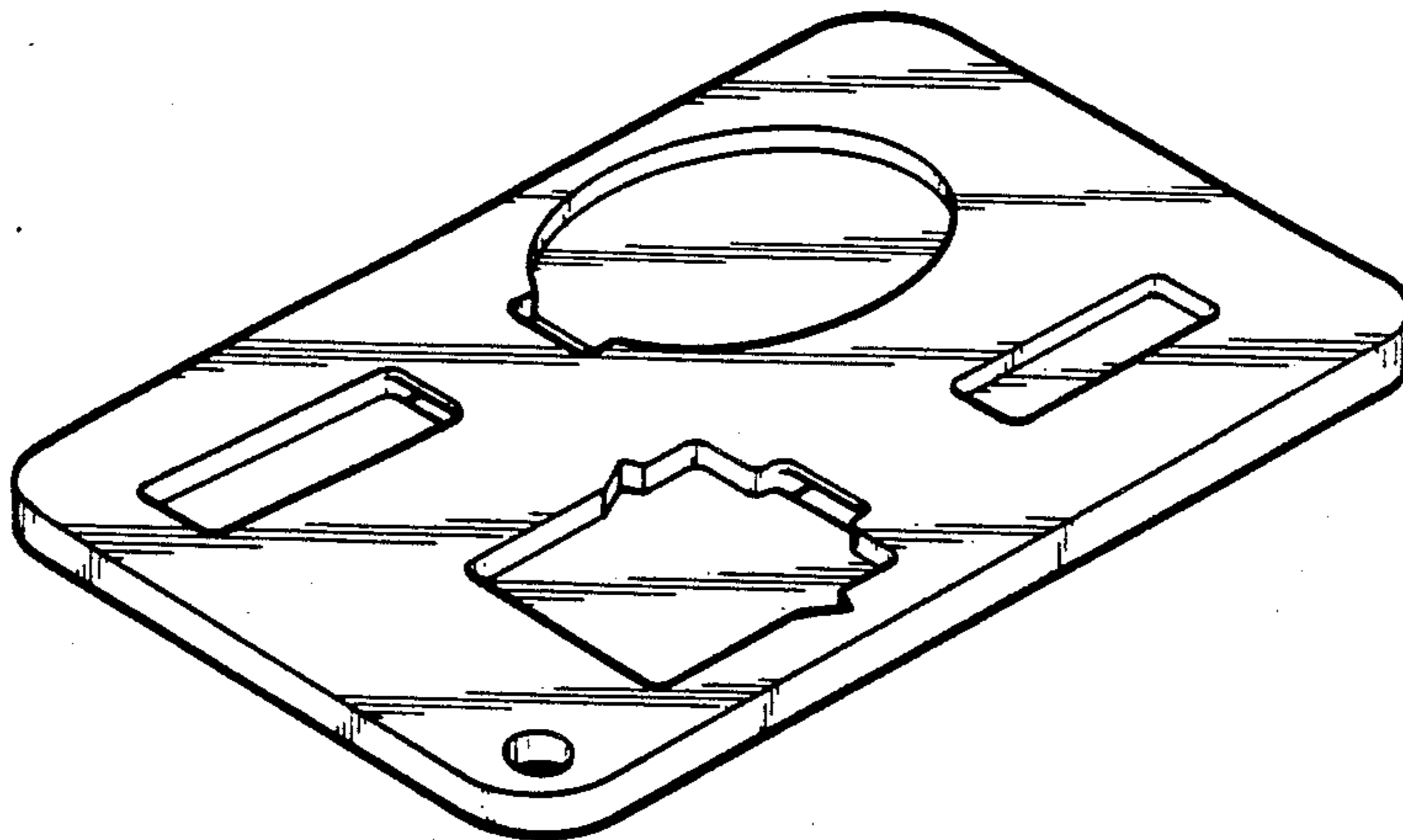
Primary Examiner—Louis S. Zarfes
Assistant Examiner—R. T. Seifert
Attorney, Agent, or Firm—Brooks & Kushman

[57] **CLAIM**

The ornamental design for key holder, as shown.

DESCRIPTION

FIG. 1 is a perspective view of a key holder showing my new design;
FIG. 2 is a top plan view;
FIG. 3 is a bottom plan view;
FIG. 4 is a side elevational view, the opposite side view being identical;
FIG. 5 is a front elevational view, the opposite side view being identical.



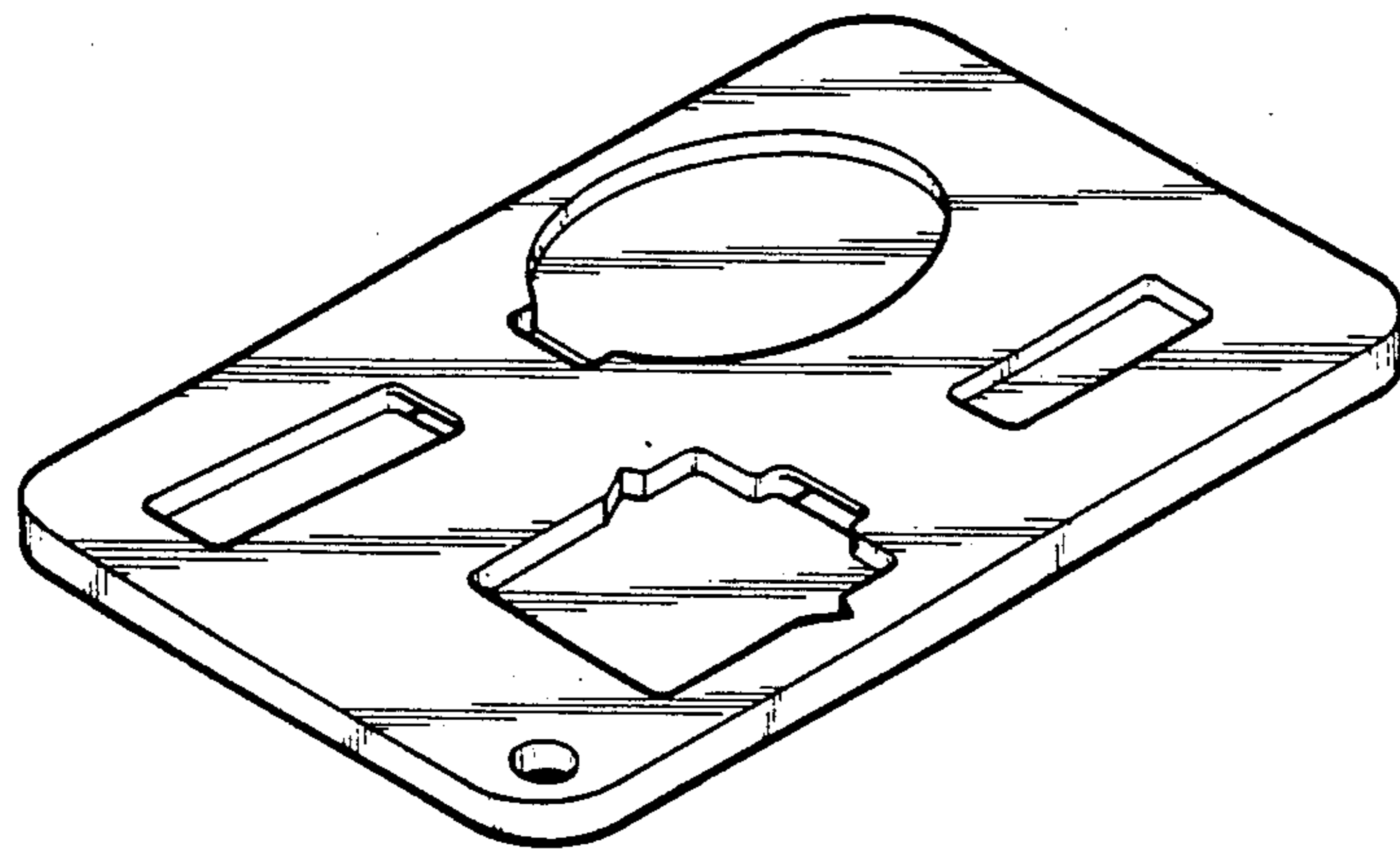


Fig-1

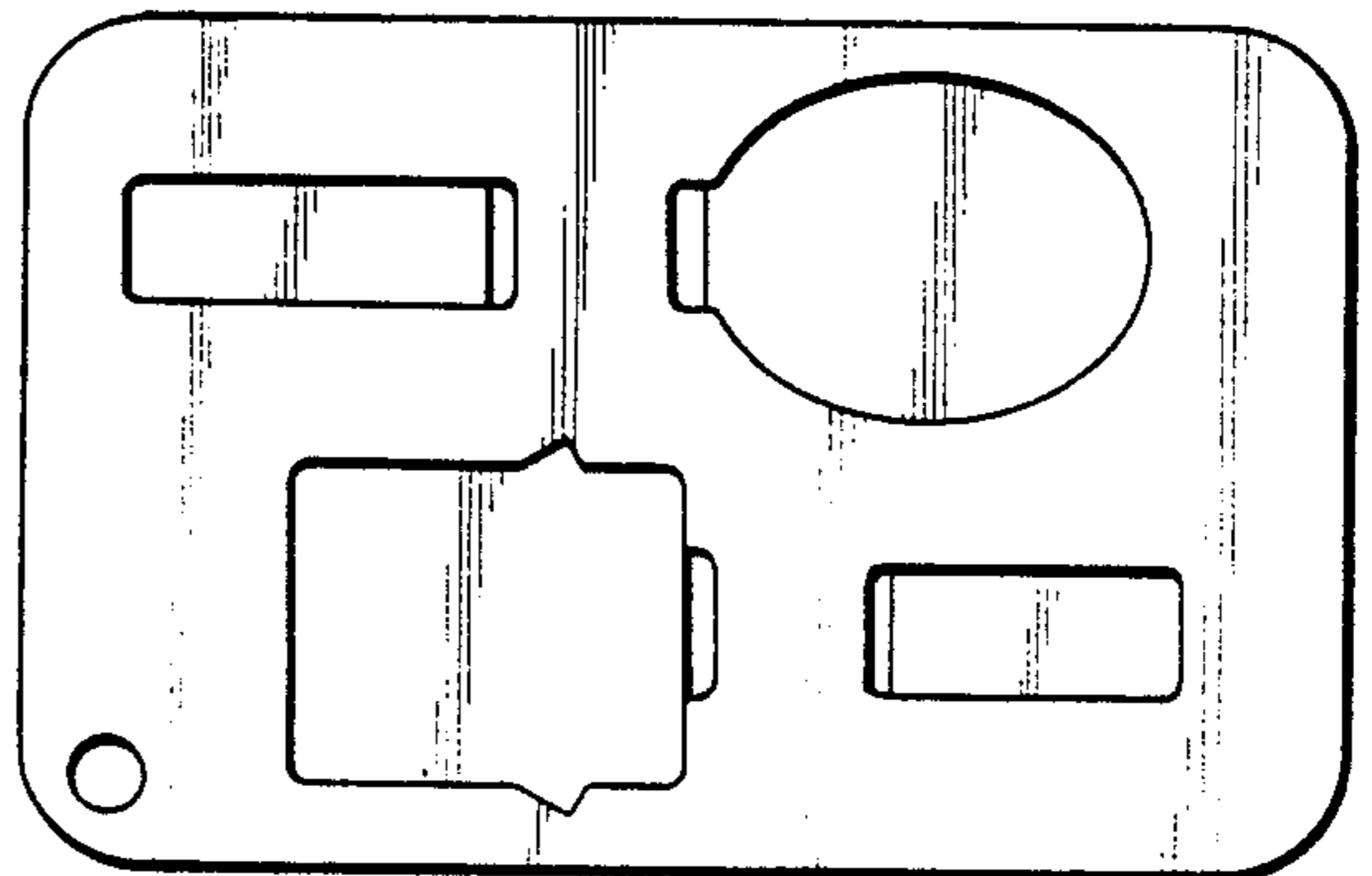


Fig-2

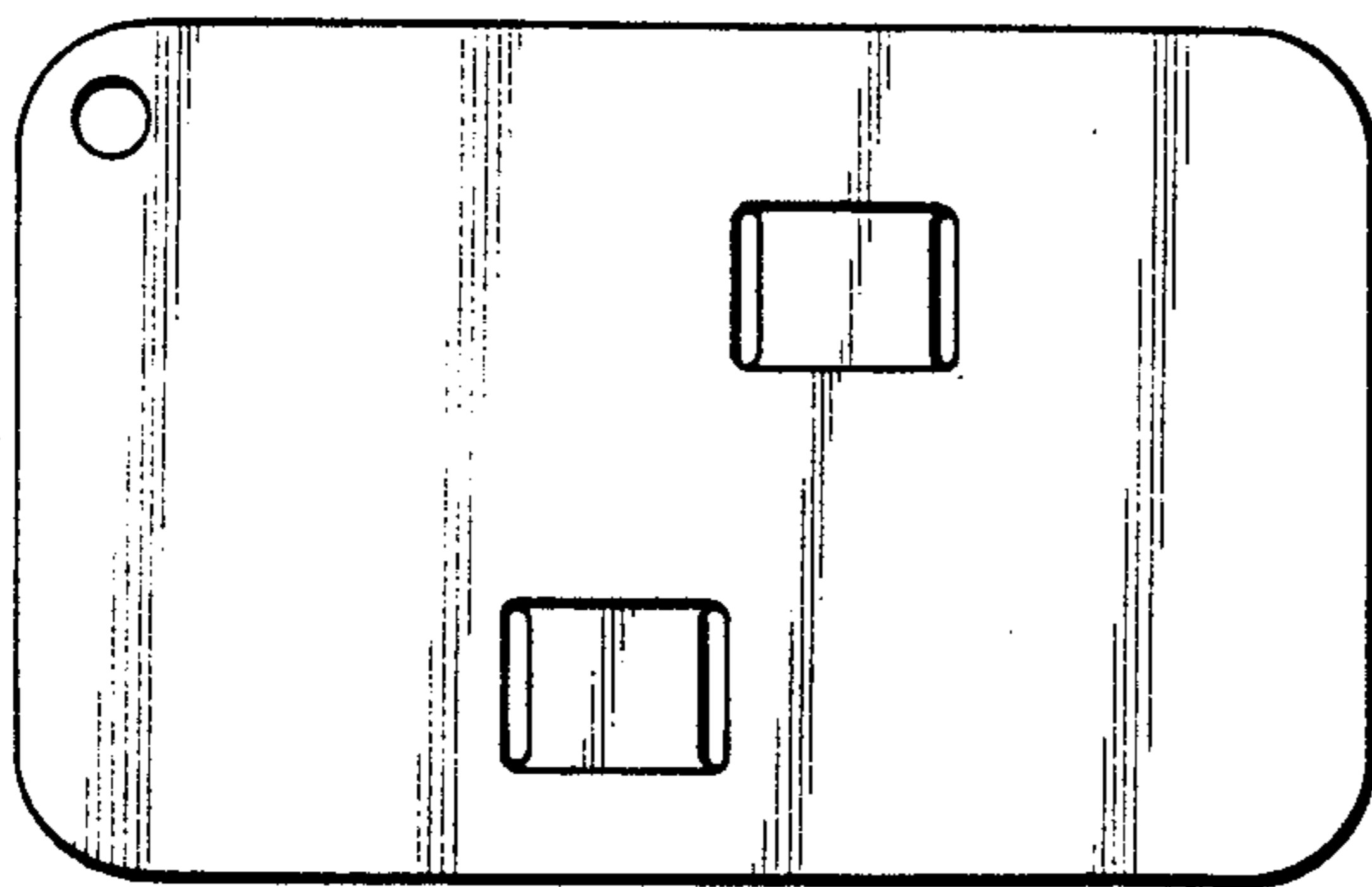


Fig-3



Fig-4

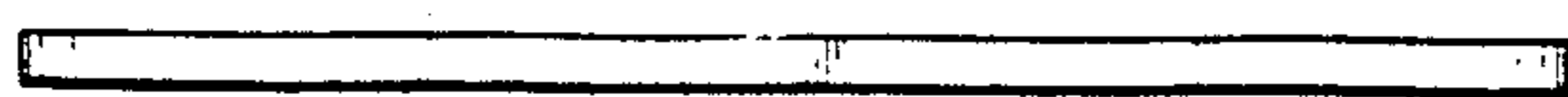


Fig-5