

[54] FISHING ROD CARRIER

[75] Inventor: Thomas W. Mulvaney, Kansas City, Mo.

[73] Assignee: Spectrum Innovations, Inc., Kansas City, Mo.

[\*\*] Term: 14 Years

[21] Appl. No.: 7,818

[22] Filed: Jan. 28, 1987

[52] U.S. Cl. .... D3/38; 43/21.2; 224/103; 224/920; 224/922

[58] Field of Search ..... 224/103, 920, 922; 294/164, 143, 146, 147; 43/21.2

[56] References Cited

U.S. PATENT DOCUMENTS

D. 187,651 4/1960 Hiering ..... 224/922 X

4,424,907 1/1984 Robb ..... 224/922 X  
4,529,112 7/1985 Miller ..... 224/922 X  
4,572,416 2/1986 Upham ..... 224/922 X

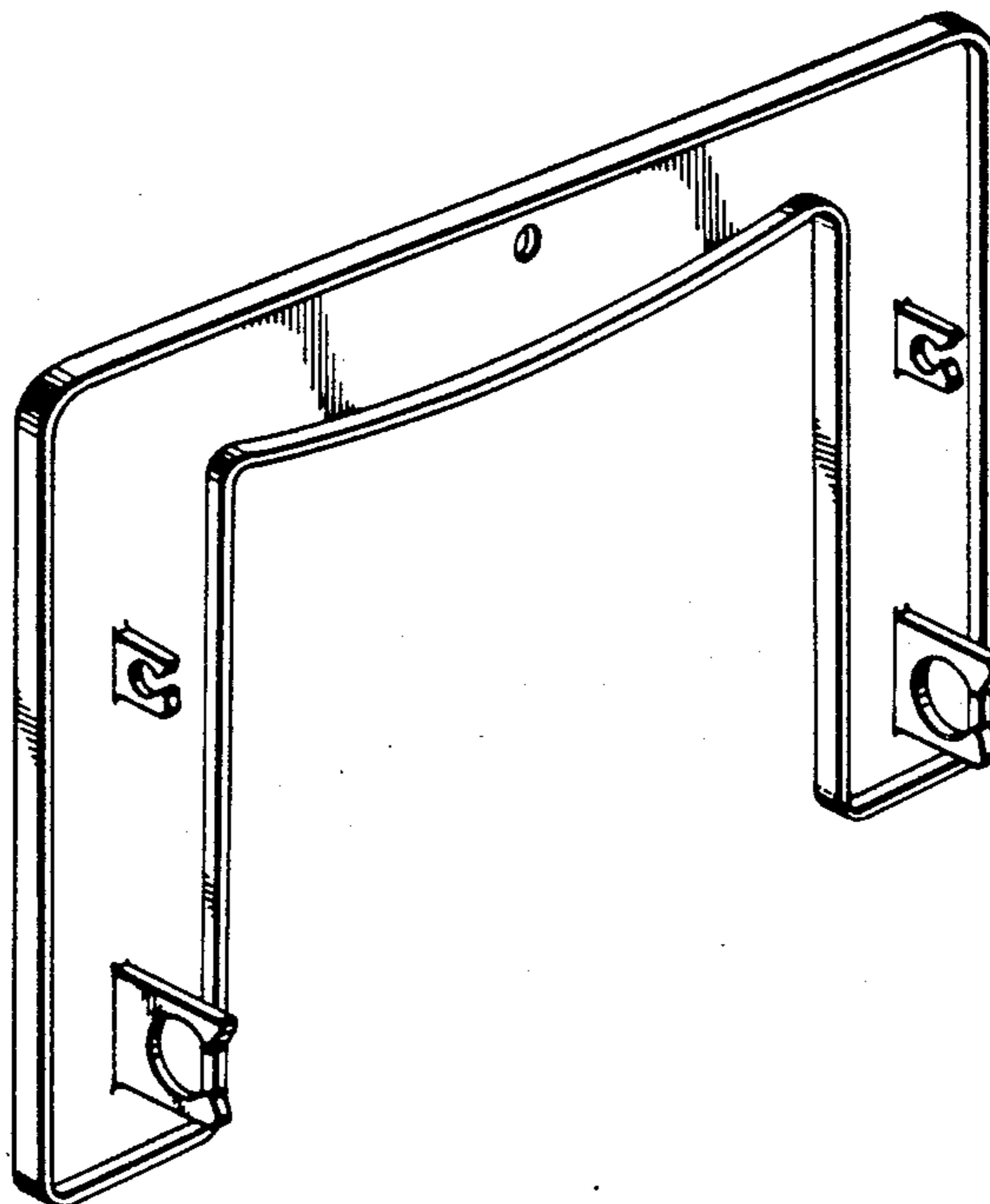
Primary Examiner—James R. Largen  
Assistant Examiner—Y. Brunot  
Attorney, Agent, or Firm—Litman, McMahon & Brown

[57] CLAIM

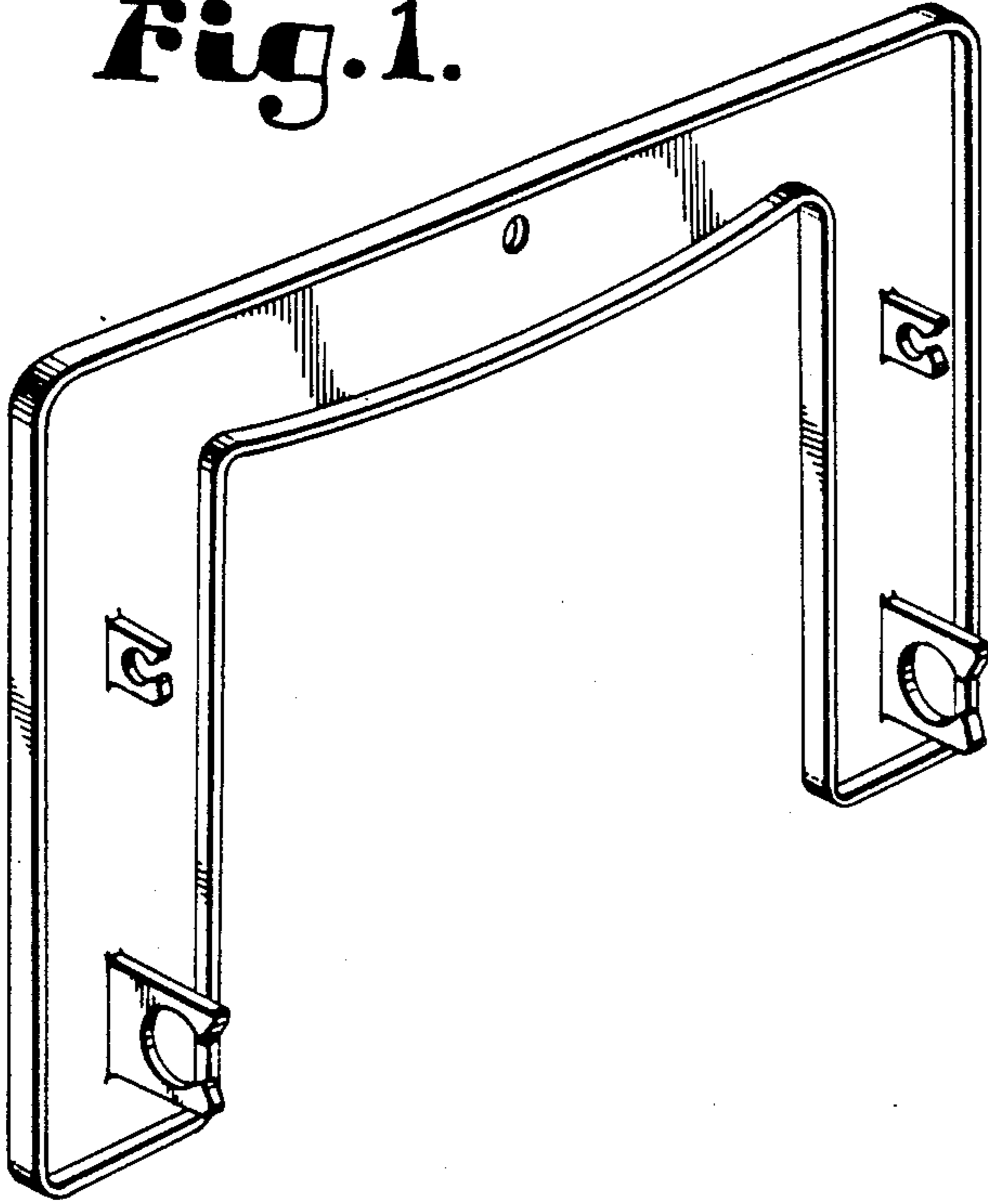
The ornamental design for a fishing rod carrier, as shown and described.

DESCRIPTION

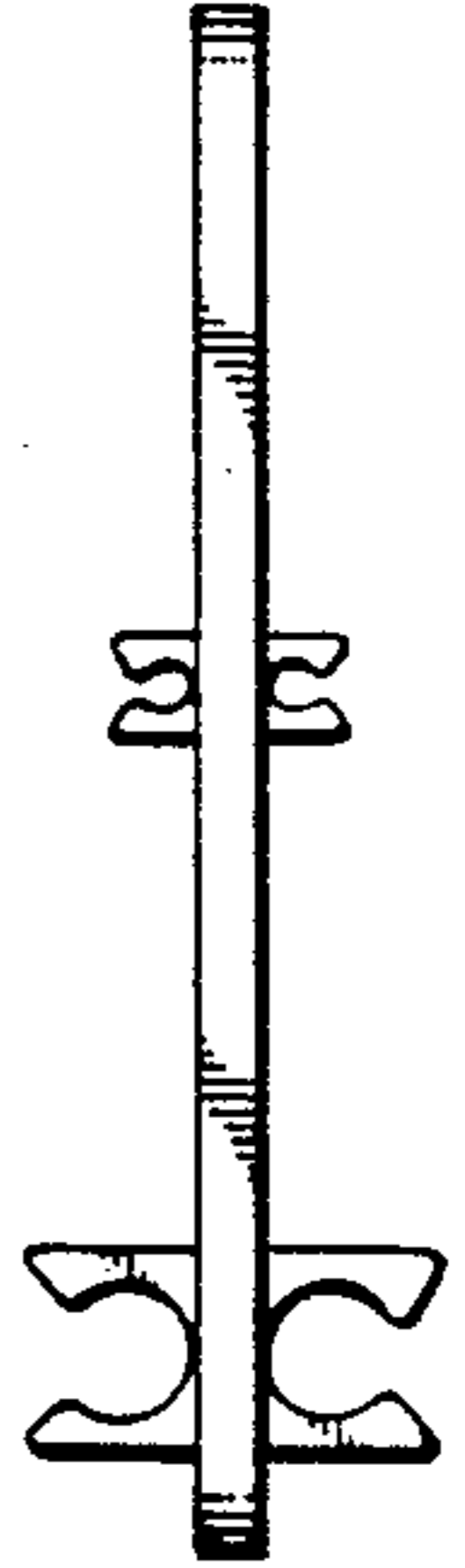
FIG. 1 is a perspective view of a fishing rod carrier showing my new design;  
FIG. 2 is a side elevational view of the fishing rod carrier, the opposite side being a mirror image thereof;  
FIG. 3 is a top plan view of the fishing rod carrier.  
FIG. 4 is a front elevational view of the fishing rod carrier, the rear side being a mirror image thereof;  
FIG. 5 is a bottom plan view of the fishing rod carrier.



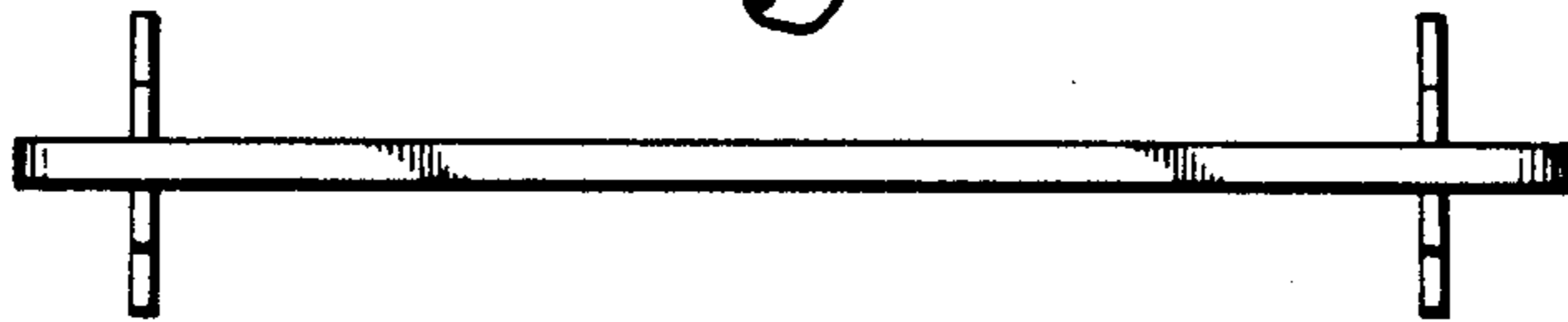
**Fig. 1.**



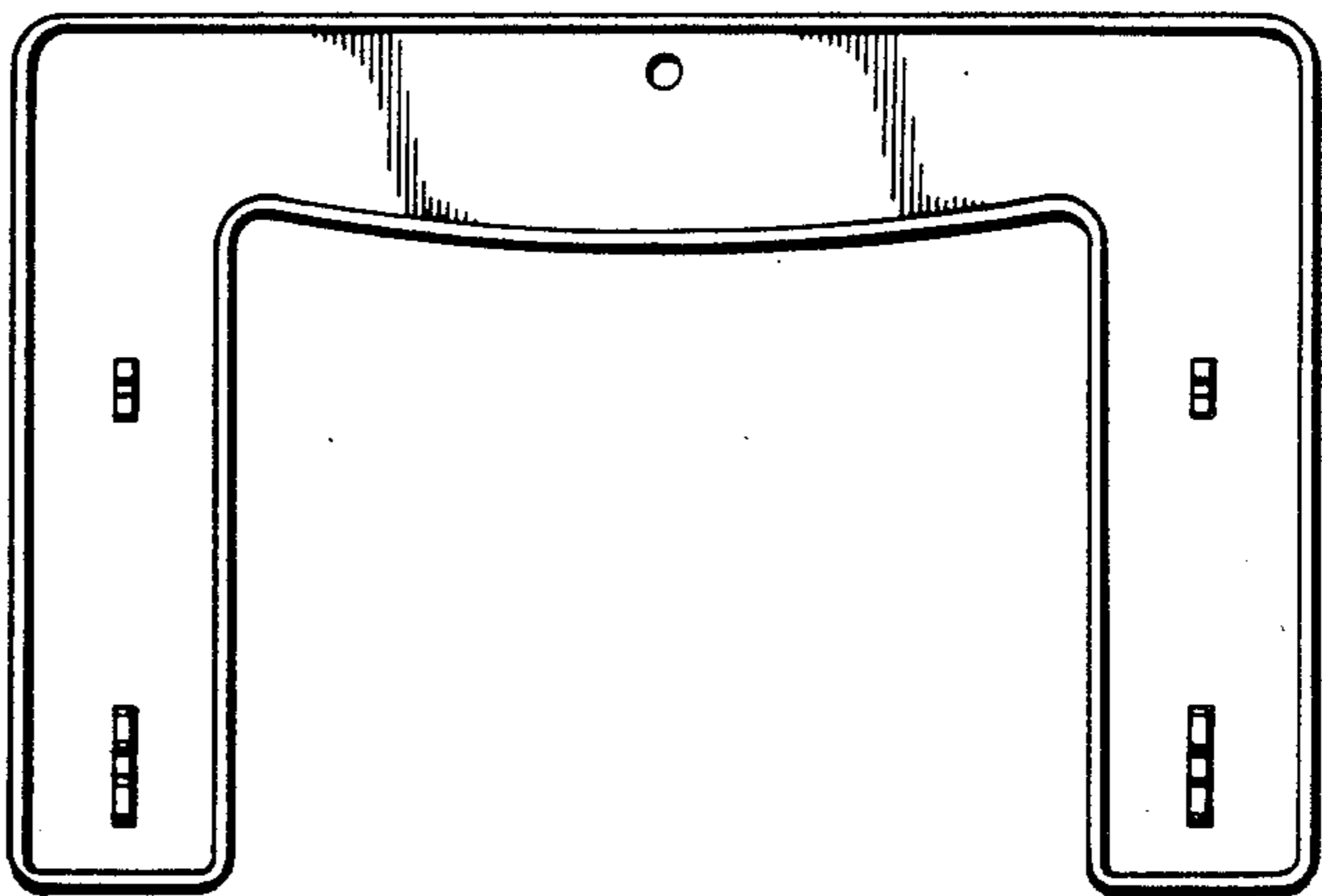
**Fig. 2.**



**Fig. 3.**



**Fig. 4.**



**Fig. 5.**