

[54] **COIN STACKING AND COUNTING STAND**

2,736,478 2/1956 Bernhardt, Jr. D99/34 X

[76] **Inventor: Lewis H. Edwards, 1500 Blossom Hill Rd., Castle Shannon, Pa. 15234**

Primary Examiner—Winifred E. Herrmann
Assistant Examiner—John Warchol
Attorney, Agent, or Firm—William J. Ruano

[**] **Term: 14 Years**

[57] **CLAIM**

[21] **Appl. No.: 61,401**

The ornamental design for a coin stacking and counting stand, as shown and described.

[22] **Filed: Jun. 15, 1987**

[52] **U.S. Cl. D99/34; D21/56**

DESCRIPTION

[58] **Field of Search 206/0.8, 0.82, 0.81; 232/4 R; 446/8-13; 453/58, 61, 63; 493/945; D99/34-42; D21/56**

FIG. 1 is a top, rear and right side perspective view of a coin stacking and counting stand showing my new design;

[56] **References Cited**

U.S. PATENT DOCUMENTS

1,130,978	3/1915	Jackson	453/61	X
1,274,615	8/1918	Sherwood	453/61	X
1,586,111	5/1926	Osborn	D21/56	X

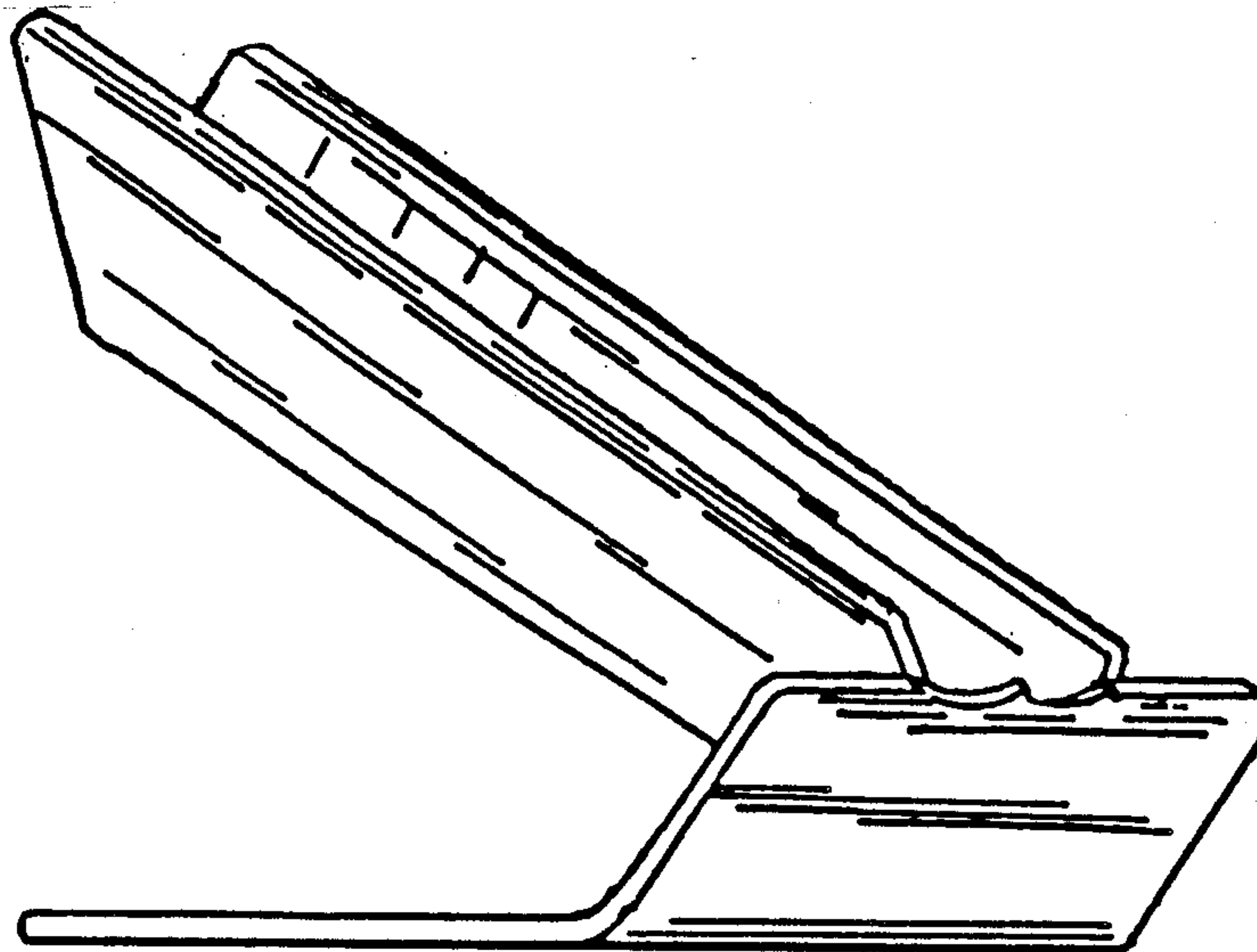
FIG. 2 is a bottom, front and left side perspective view thereof;

FIG. 3 is a left side elevational view thereof;

FIG. 4 is a front elevational view thereof;

FIG. 5 is a rear elevational view thereof; and

FIG. 6 is a bottom plan view thereof.



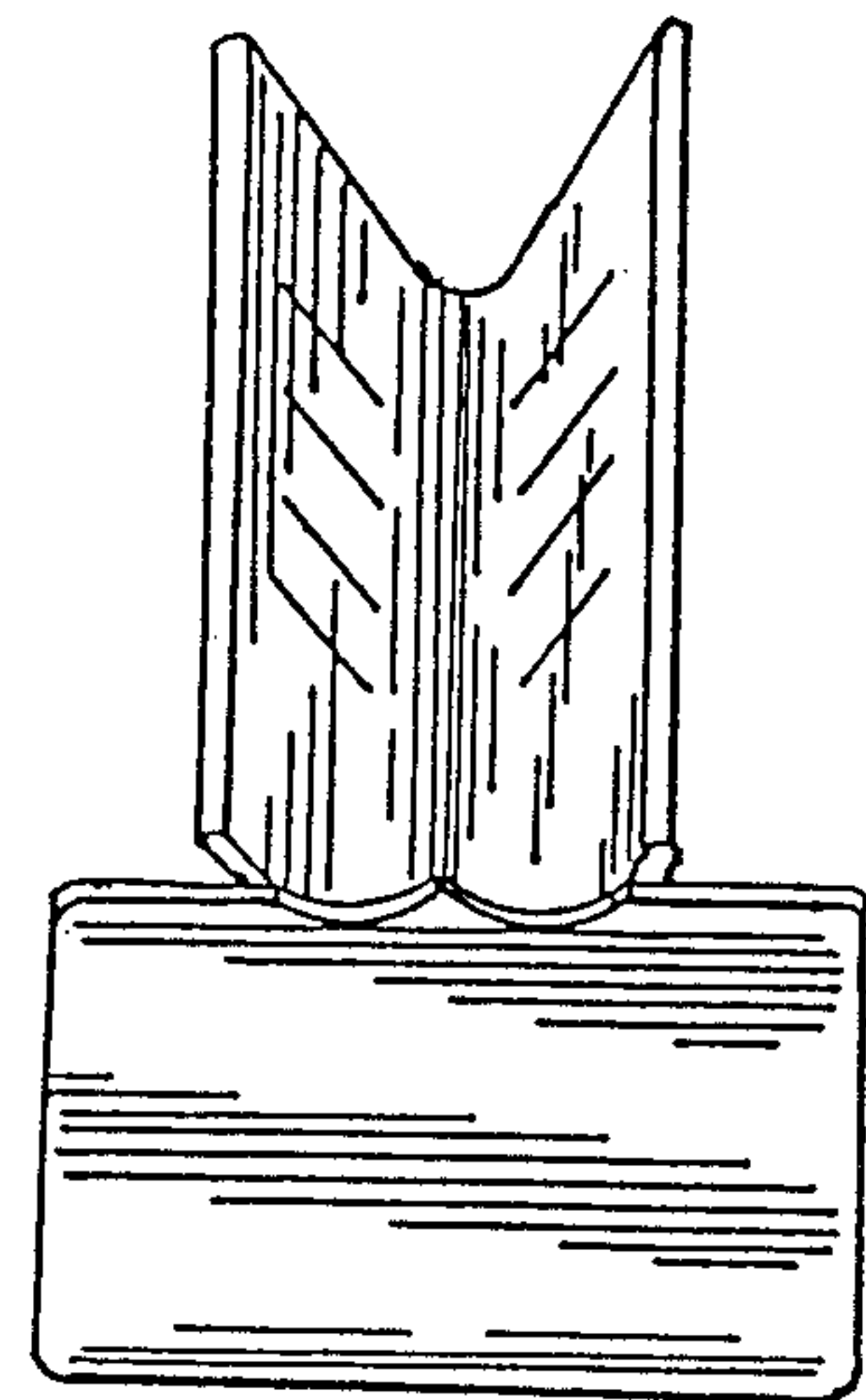
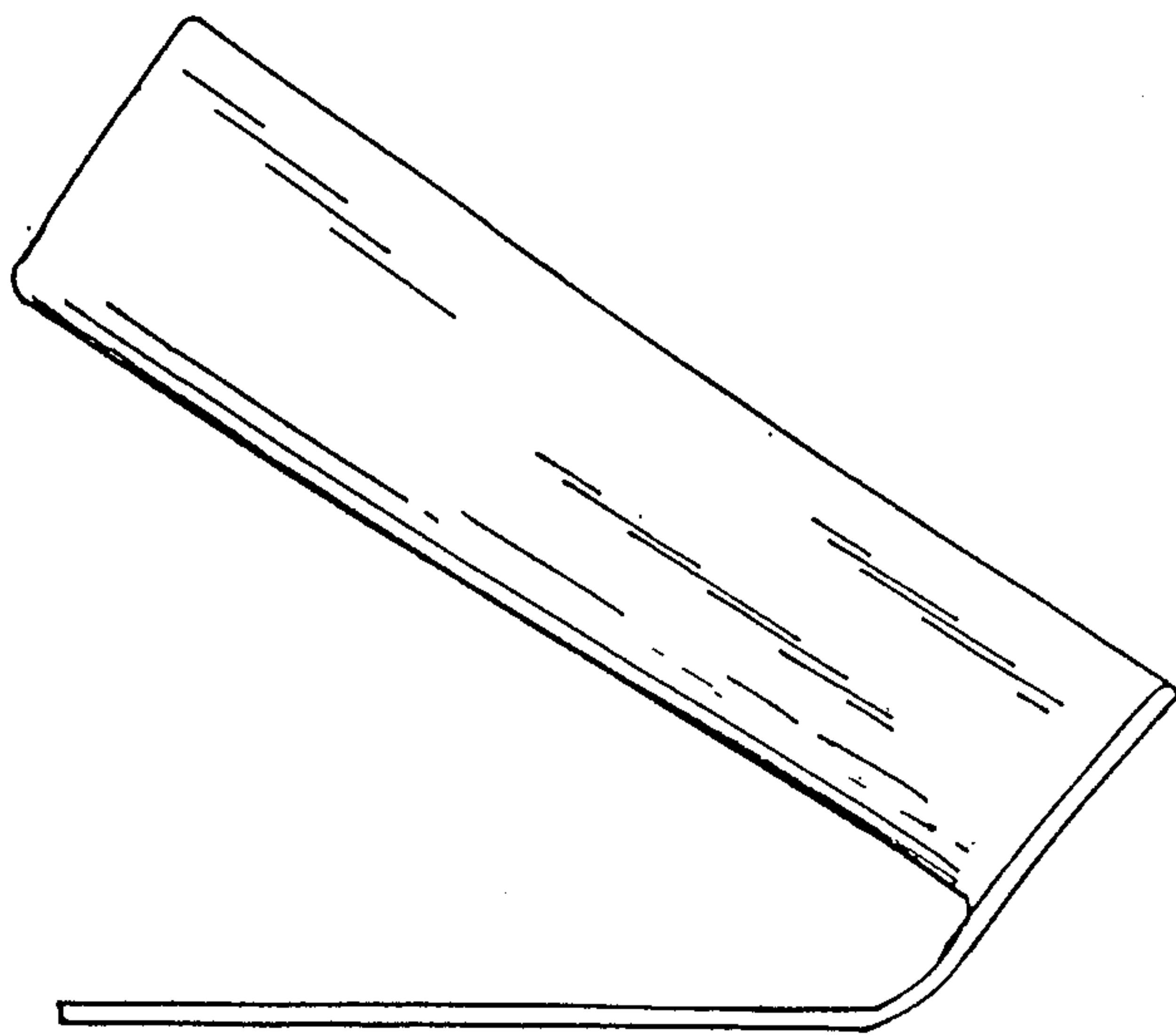
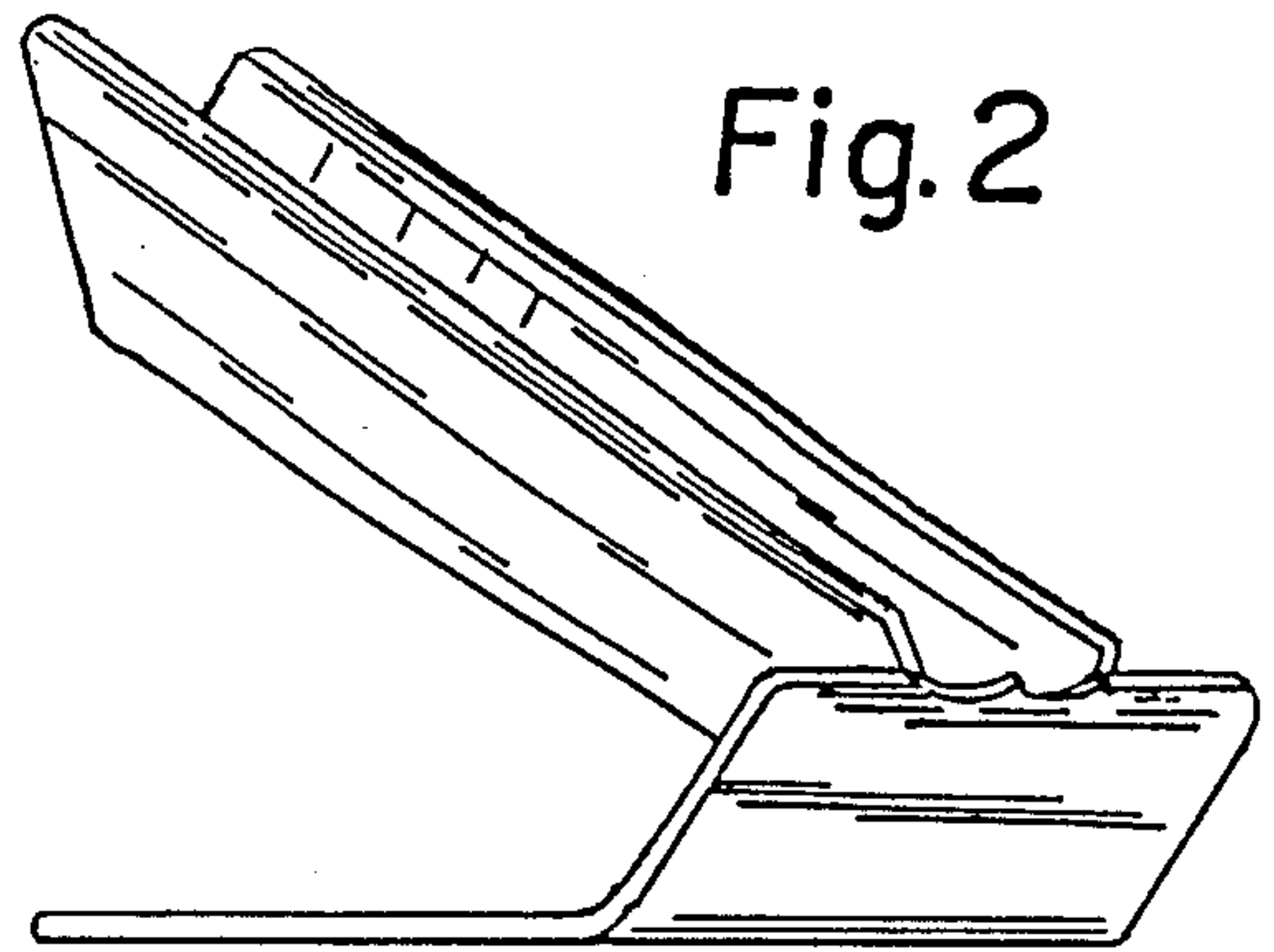
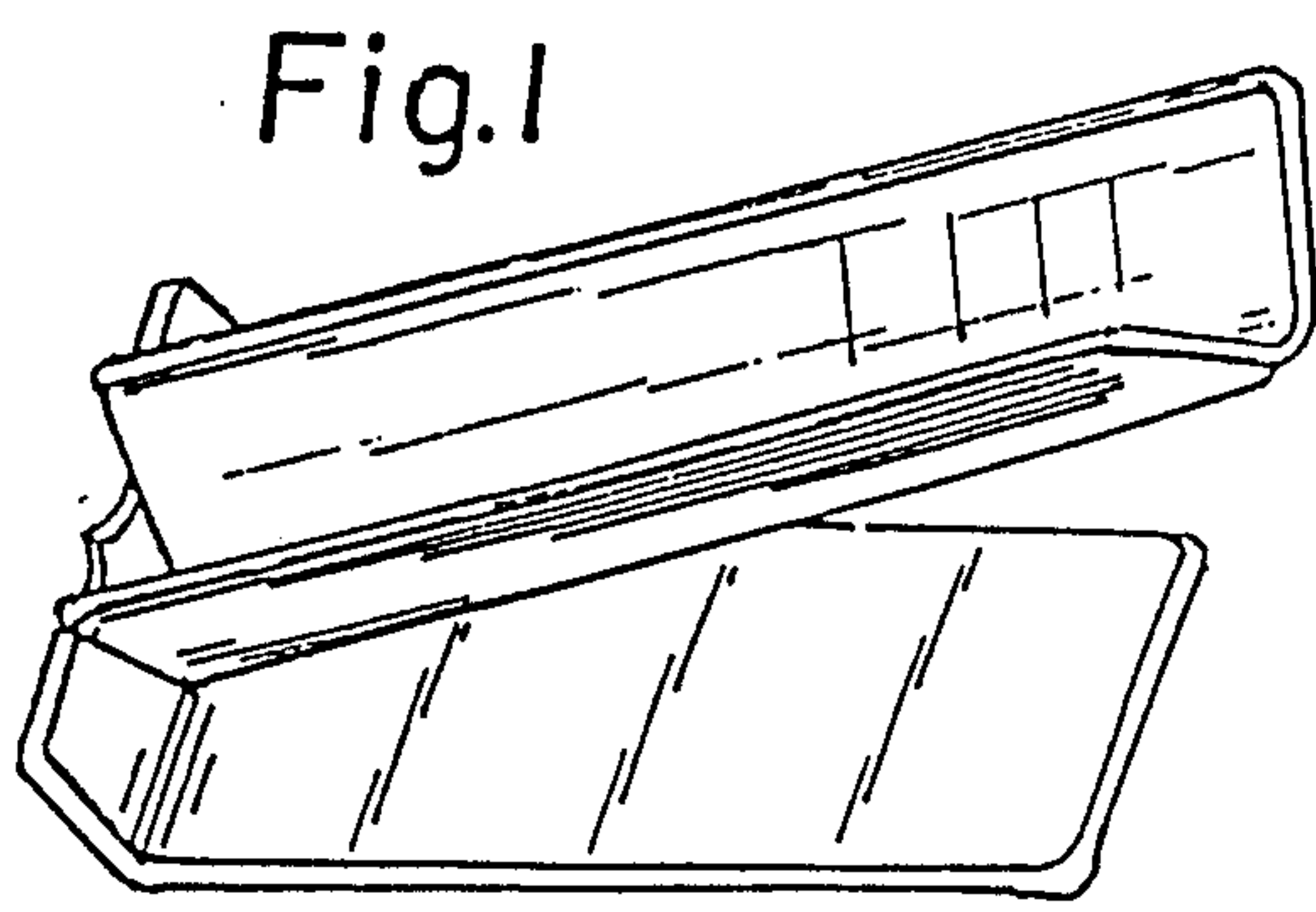


Fig. 3

Fig. 4

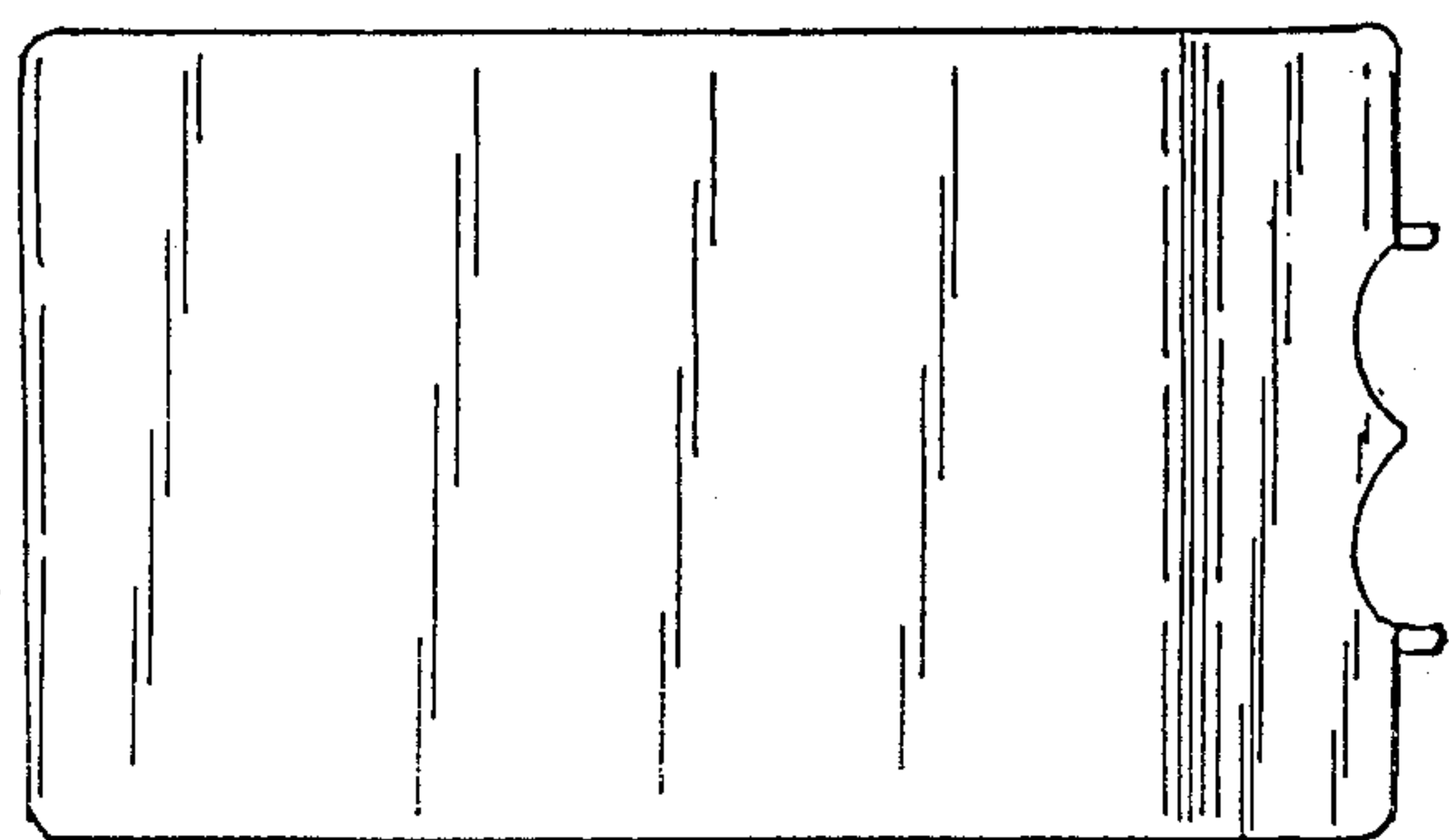
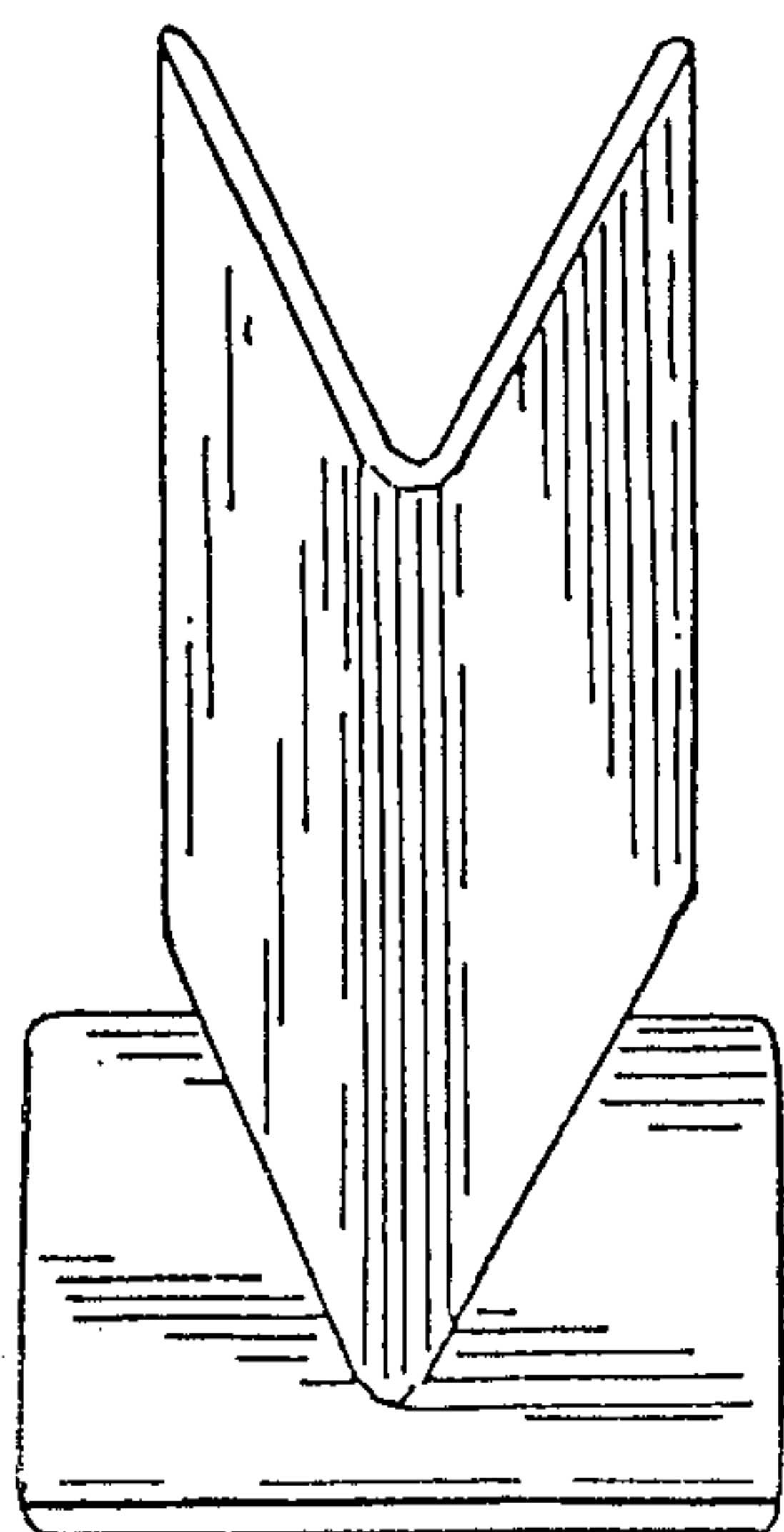


Fig. 5

Fig. 6