

[54] **KEY SAFE FOR A VEHICLE**

4,112,717 9/1978 Bradley 70/63

[76] **Inventor: Paul Appelbaum, P.O. Box 27006,
Denver, Colo. 80227**

Primary Examiner—Winifred E. Herrmann
Assistant Examiner—John Warchol
Attorney, Agent, or Firm—Charles C. Corbin

[**] **Term: 14 Years**

[57] **CLAIM**

[21] **Appl. No.: 134,448**

The ornamental design for a key safe for a vehicle, as shown and described.

[22] **Filed: Dec. 17, 1987**

[52] **U.S. Cl. D99/28**

[58] **Field of Search D99/28, 34, 35, 36,
D99/43, 99, 37; 109/45-49, 50-57, 23; 70/63;
232/4 R**

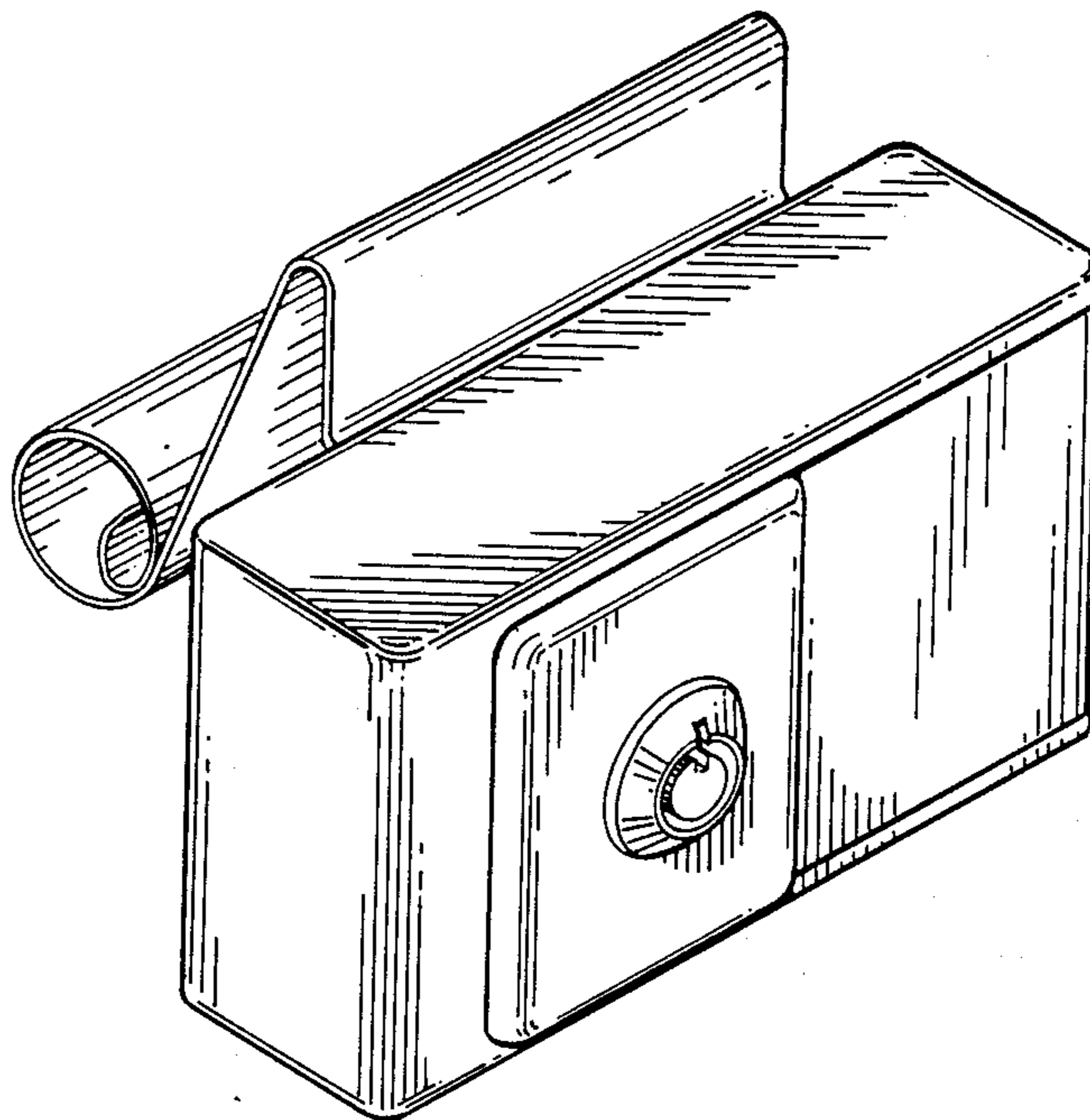
DESCRIPTION

FIG. 1 is a top, front and left side perspective view of a key safe for a vehicle showing my new design; FIG. 2 is a front elevational view thereof; FIG. 3 is a rear elevational view thereof; FIG. 4 is a right side elevational view thereof; FIG. 5 is a left side elevational view thereof; FIG. 6 is a top plan view thereof; and FIG. 7 is a bottom plan view thereof.

[56] **References Cited**

U.S. PATENT DOCUMENTS

- D. 183,094 6/1958 Heath et al. D99/34
- D. 232,644 9/1974 Barrett D99/28



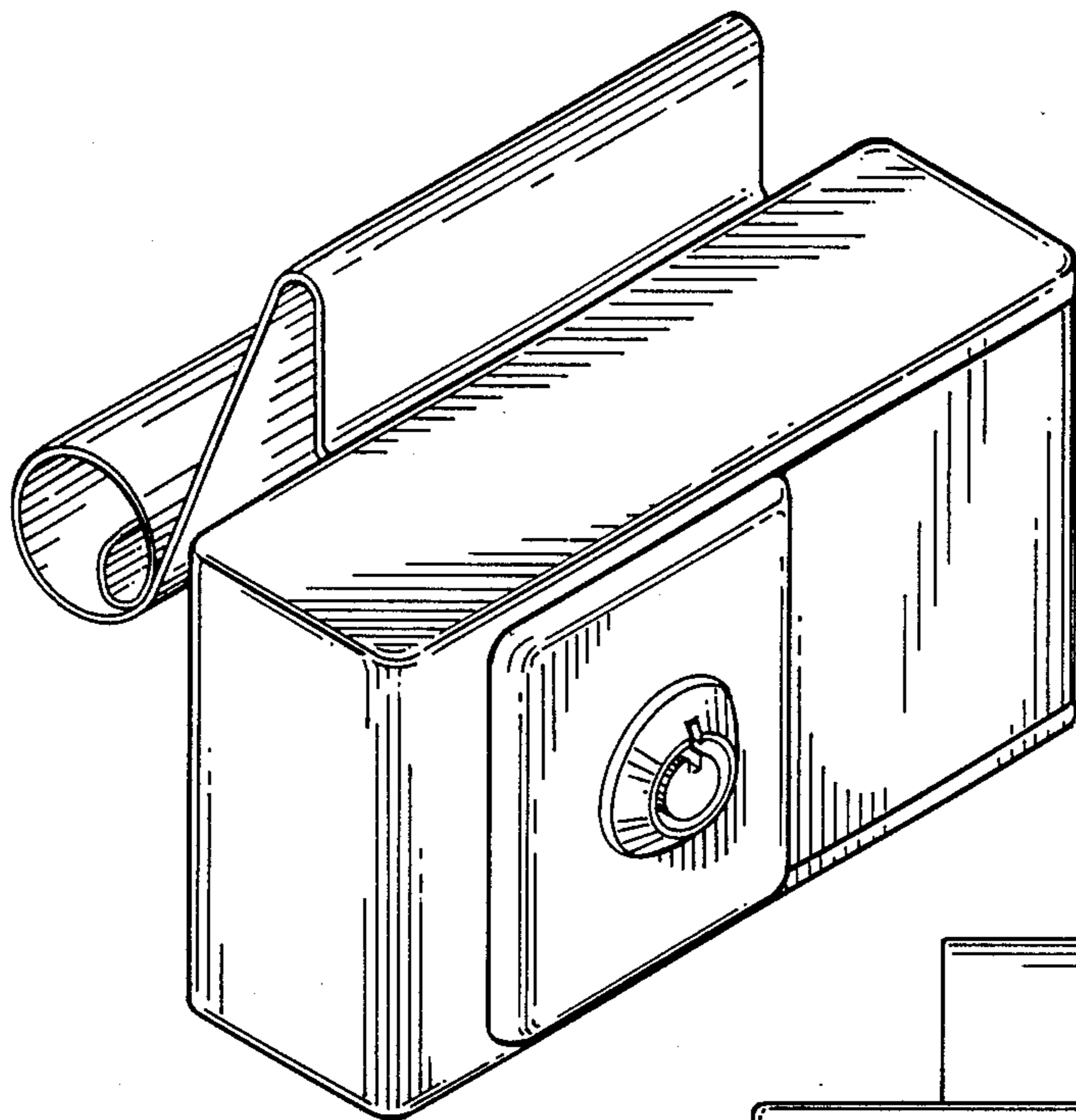


FIG. 1.

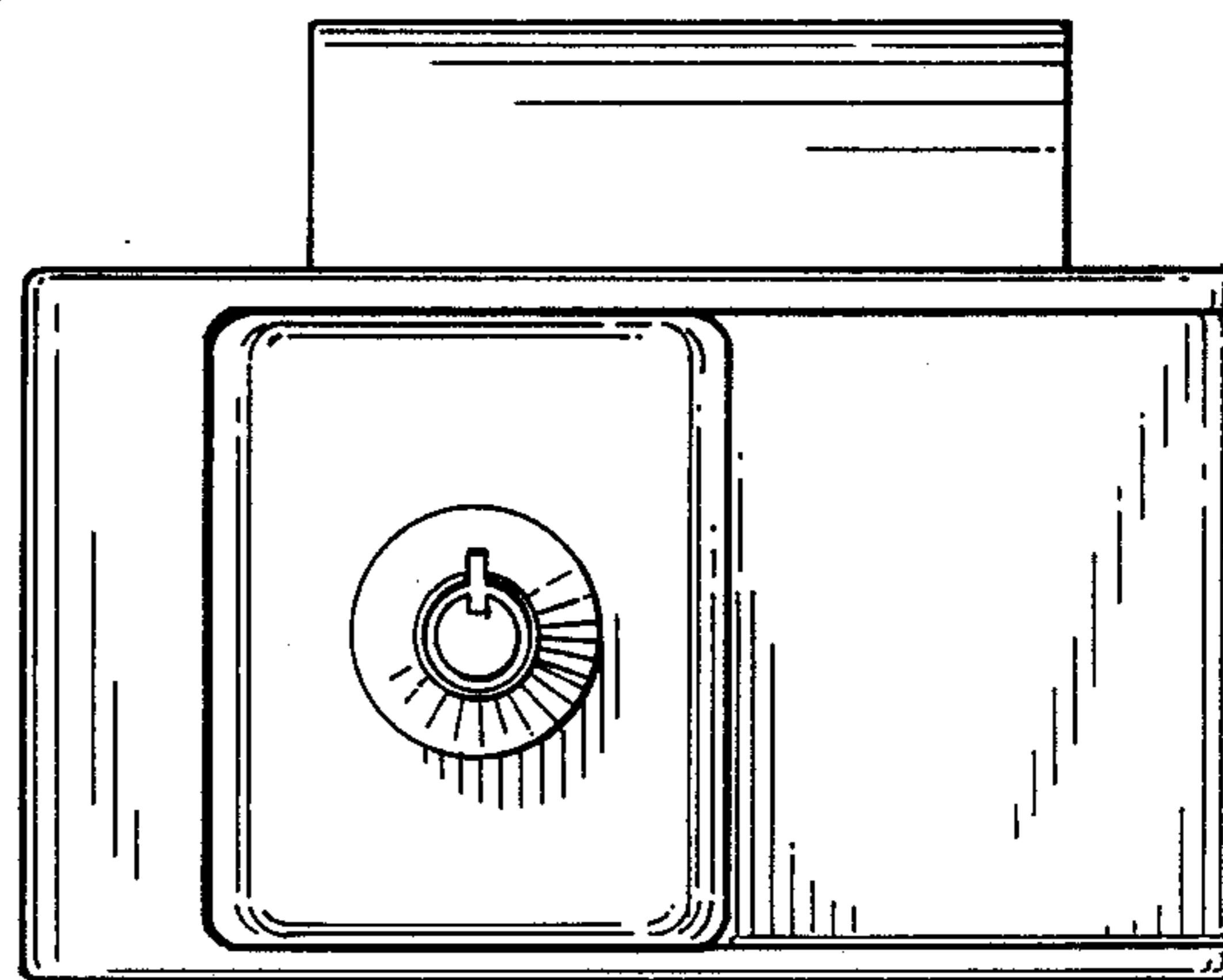


FIG. 2.

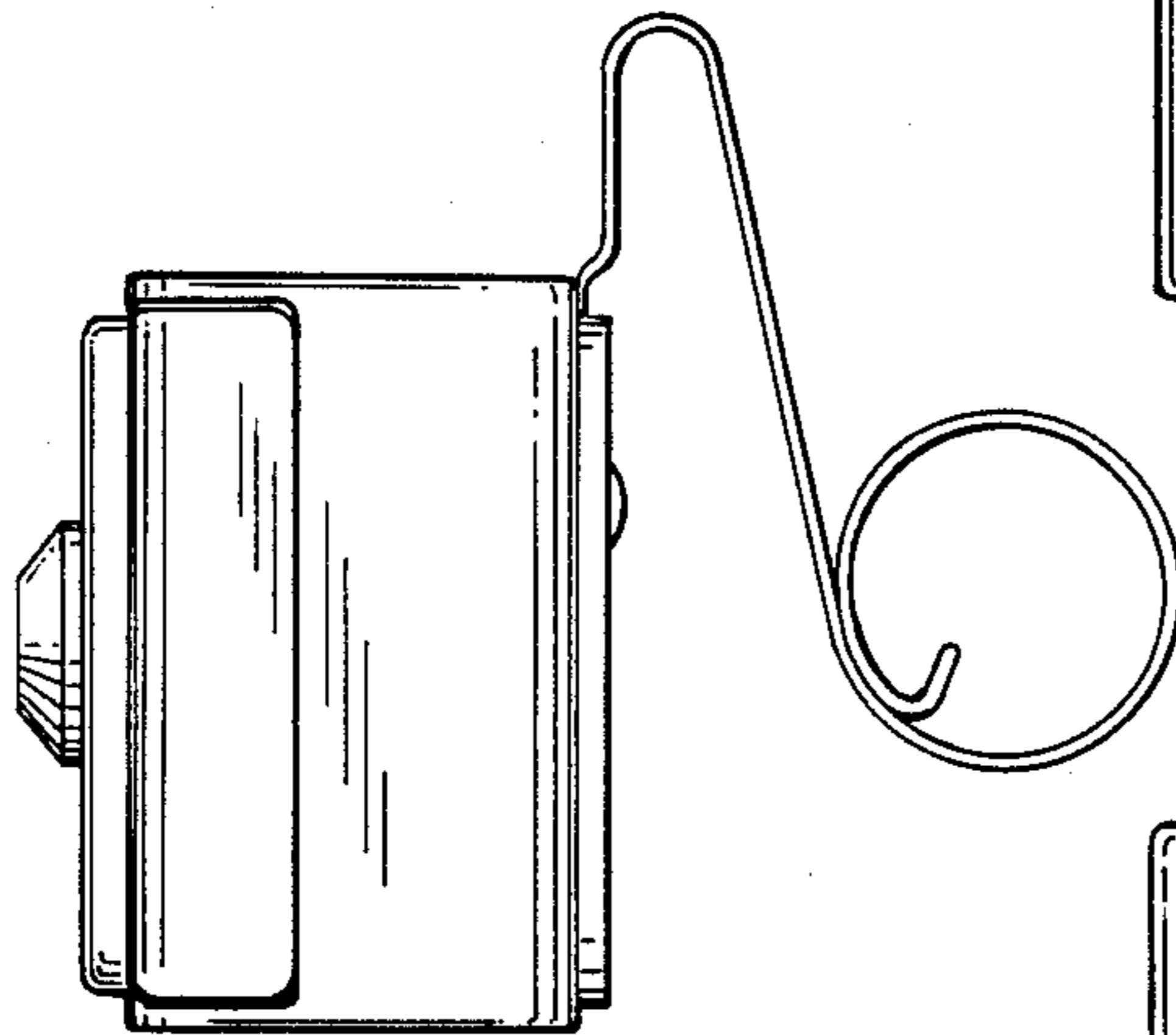


FIG. 4.

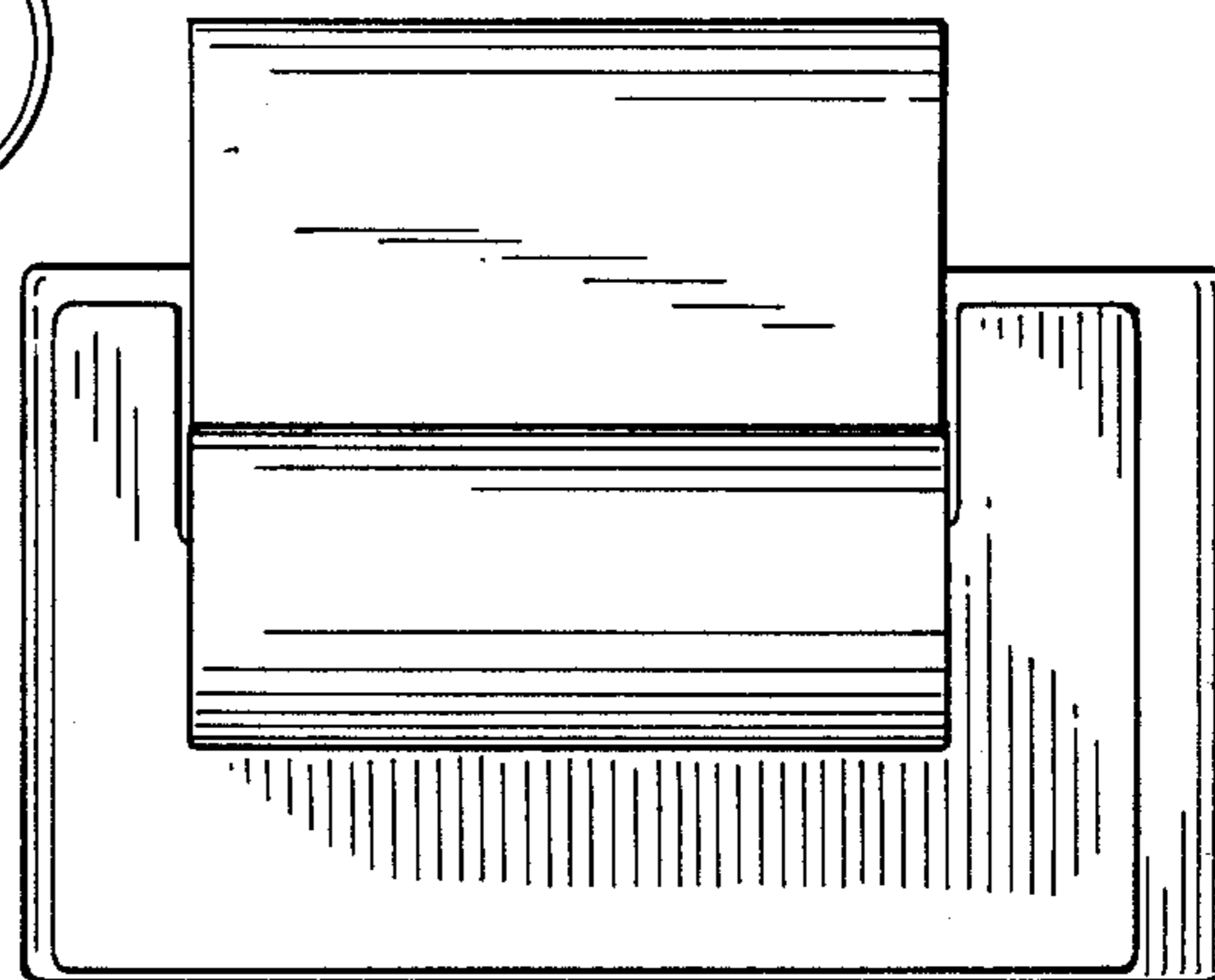


FIG. 3.

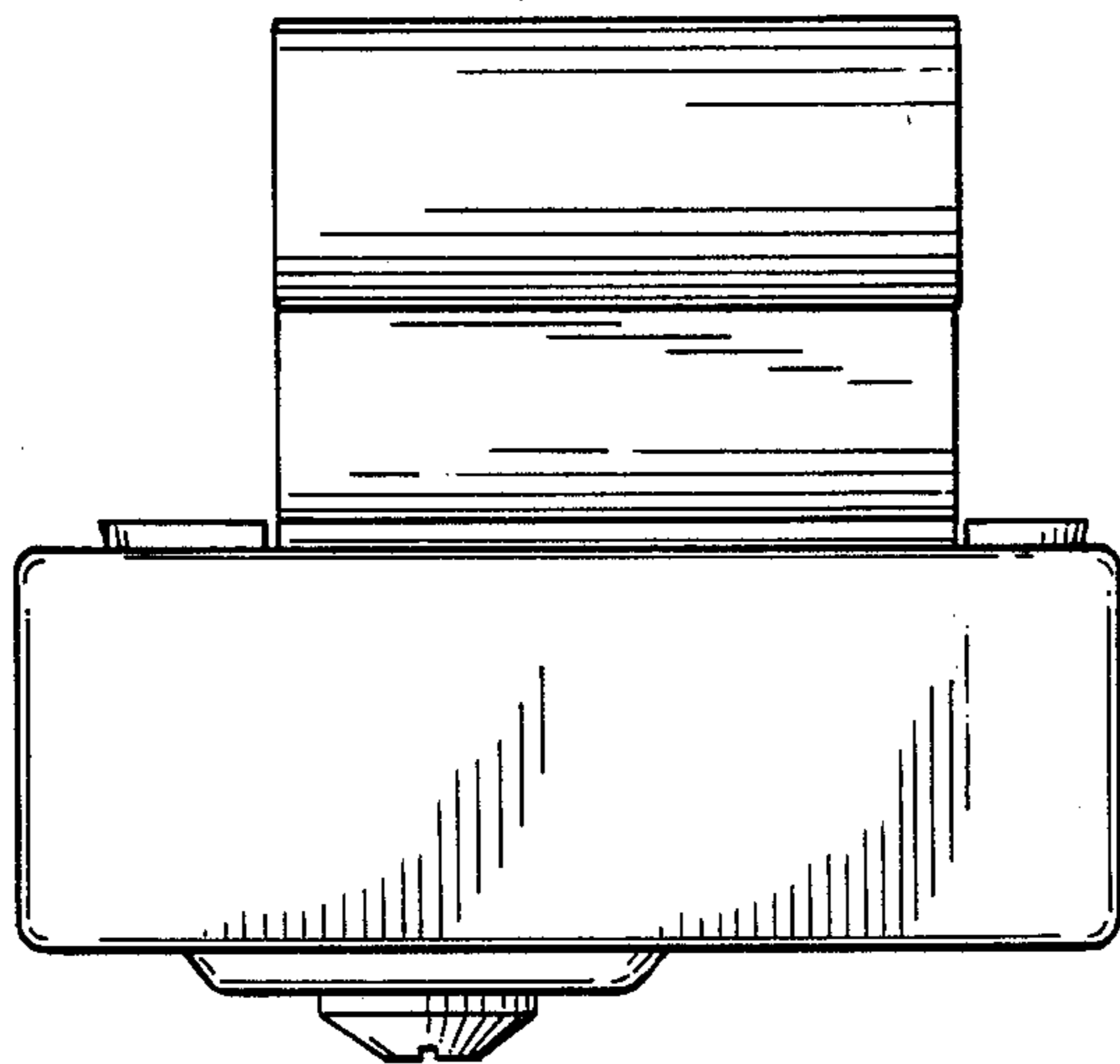


FIG. 6.

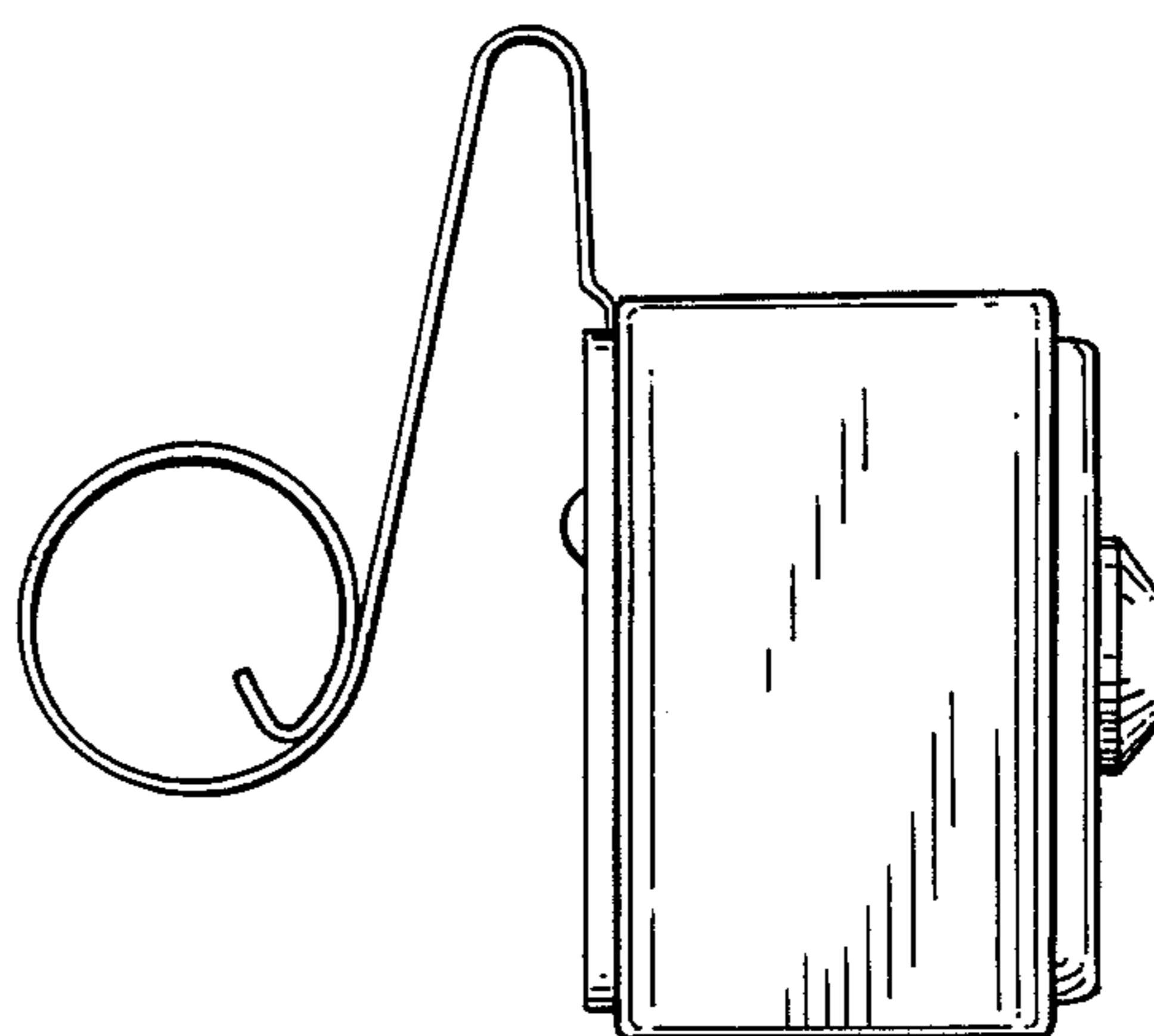


FIG. 5.

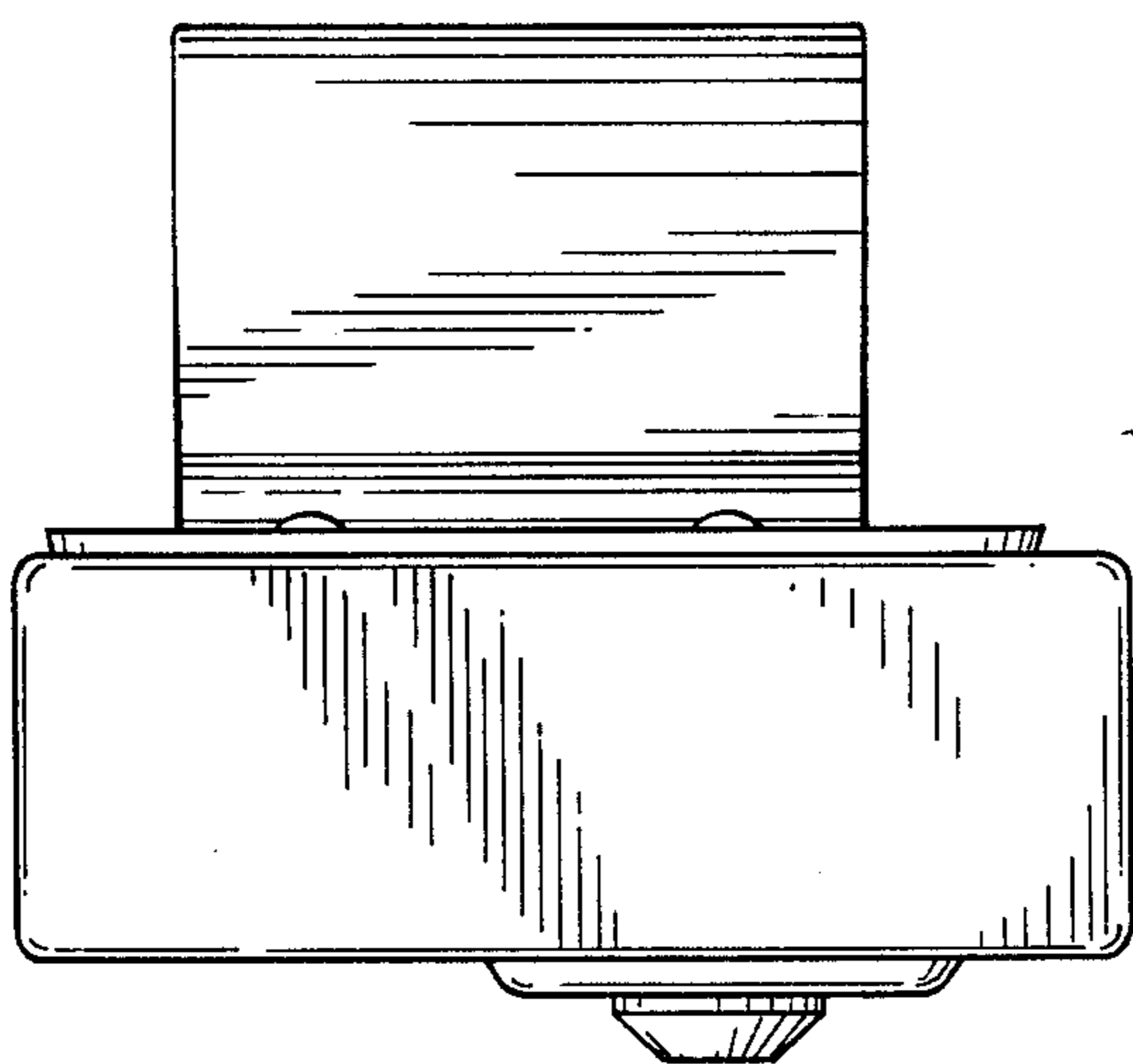


FIG. 7.