

United States Patent [19]

Vreeken

[11] Patent Number: **Des. 308,271**

[45] Date of Patent: **** May 29, 1990**

[54] **FOLDABLE TRASH BAG HOLDER OR SIMILAR ARTICLE**

[76] Inventor: **Richard Vreeken, 25814 Northwinds Dr., Romoland, Calif. 92380**

[**] Term: **14 Years**

[21] Appl. No.: **167,436**

[22] Filed: **Mar. 14, 1988**

[52] U.S. Cl. **D34/6**

[58] Field of Search **D34/1, 5, 6; 248/95, 248/97, 99, 100, 101, DIG. 7, 166, 153; 211/181; D6/449, 566**

[56] **References Cited**

U.S. PATENT DOCUMENTS

D. 260,596 9/1981 Vreeken D34/6
D. 264,651 6/1982 Adamson D34/6
D. 299,575 1/1989 DiFrank D34/6

2,765,111 10/1956 Vaughn D34/6
3,373,963 3/1968 Snell 248/153
4,174,085 11/1979 Ferreira et al. D34/6
4,623,111 11/1986 Prader D34/6
4,783,031 11/1988 Ebentheuer D34/6
4,821,985 4/1989 DeMatteis et al. 248/99

Primary Examiner—Wallace R. Burke
Assistant Examiner—Kay H. Chin
Attorney, Agent, or Firm—John H. Crowe

[57] **CLAIM**

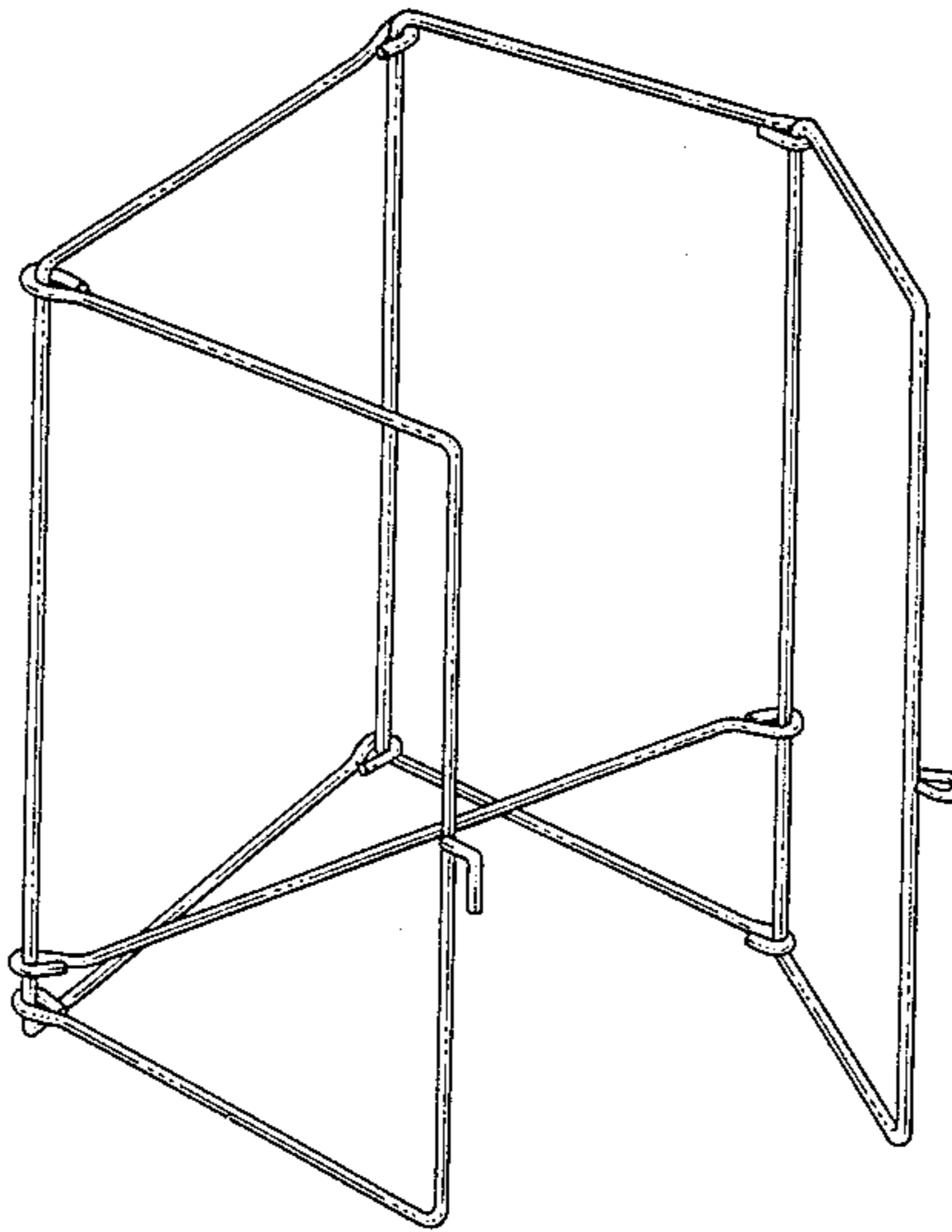
The ornamental design for a foldable trash bag holder or similar article, as shown and described.

DESCRIPTION

FIG. 1 is a front and top perspective view of a foldable trash bag holder or similar article showing my new design.

FIG. 2 is a top plan view thereof.

FIG. 3 is a bottom plan view thereof.



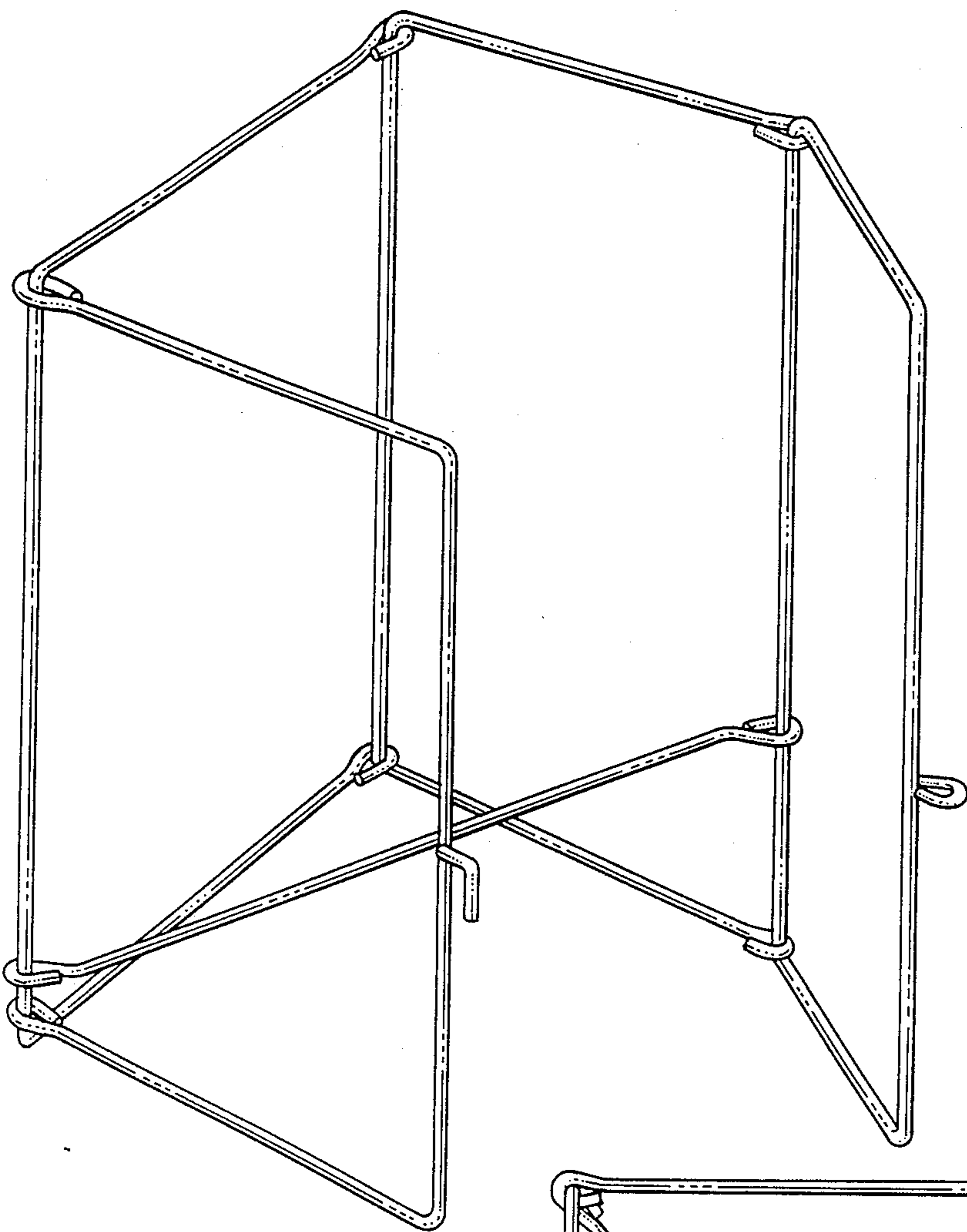


FIG. 1

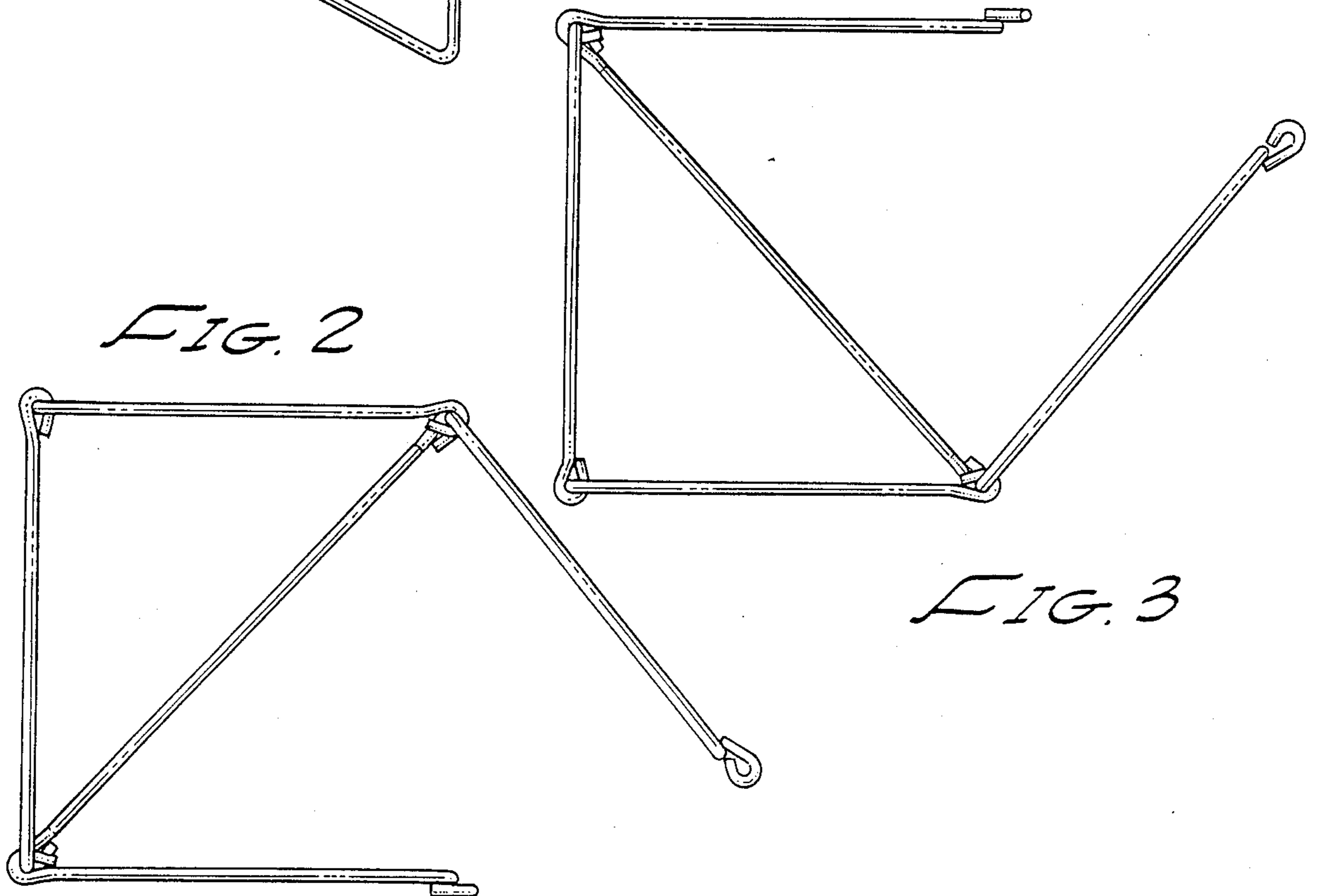


FIG. 2

FIG. 3