

# United States Patent [19]

Petrie et al.

[11] Patent Number: **Des. 308,269**

[45] Date of Patent: **\*\* May 29, 1990**

[54] STEAM IRON

[75] Inventors: Aidan Petrie; Stephen Lane, both of Boston, Mass.

[73] Assignee: International Consumer Brands, Inc., Trumbull, Conn.

[\*\*] Term: 14 Years

[21] Appl. No.: 155,754

[22] Filed: Feb. 16, 1988

[52] U.S. Cl. .... D32/70

[58] Field of Search ..... D32/68-73;  
38/69, 74, 75, 77.1-77.8, 77.81, 77.82, 77.83,  
77.9, 82, 85, 88, 90; 219/245-247

[56] **References Cited**

**U.S. PATENT DOCUMENTS**

D. 177,287 3/1956 Thomson et al. .... D32/70

D. 267,673 1/1983 Ernest et al. .... D32/70

D. 290,889 7/1987 Steinkamp ..... D32/70

D. 298,877 12/1988 Osit ..... D32/70

D. 302,882 8/1989 Choi ..... D32/70

*Primary Examiner*—Wallace R. Burke

*Assistant Examiner*—Lavone D. Tabor

[57] **CLAIM**

The ornamental design for a steam iron, as shown.

**DESCRIPTION**

FIG. 1 is a perspective view of a steam iron showing our new design;

FIG. 2 is a front elevational view thereof;

FIG. 3 is a top plan view thereof;

FIG. 4 is a side elevational view thereof, the other side being shown in FIG. 1;

FIG. 5 is a rear elevational view thereof; and

FIG. 6 is a bottom plan view thereof.

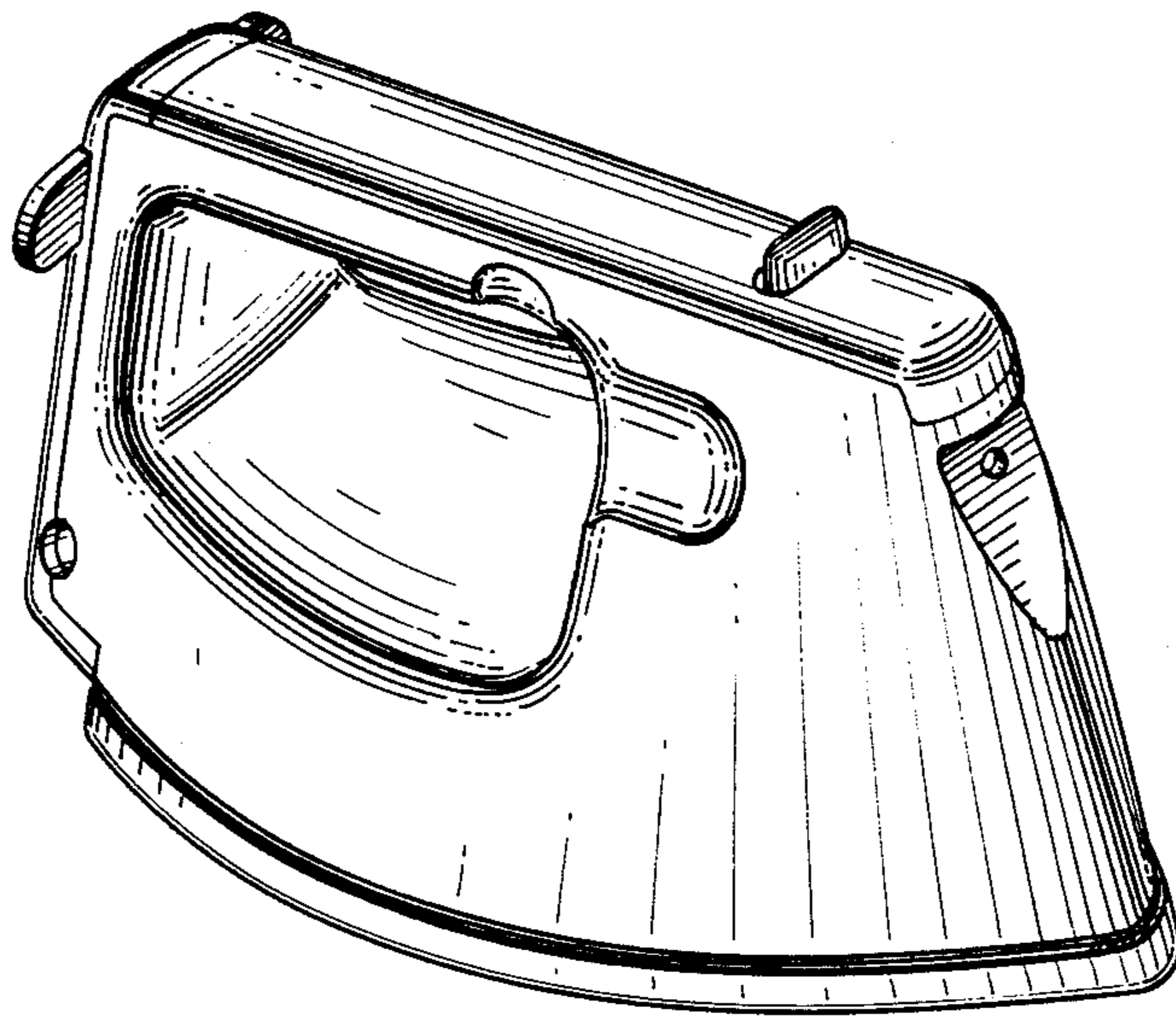


FIG. 1

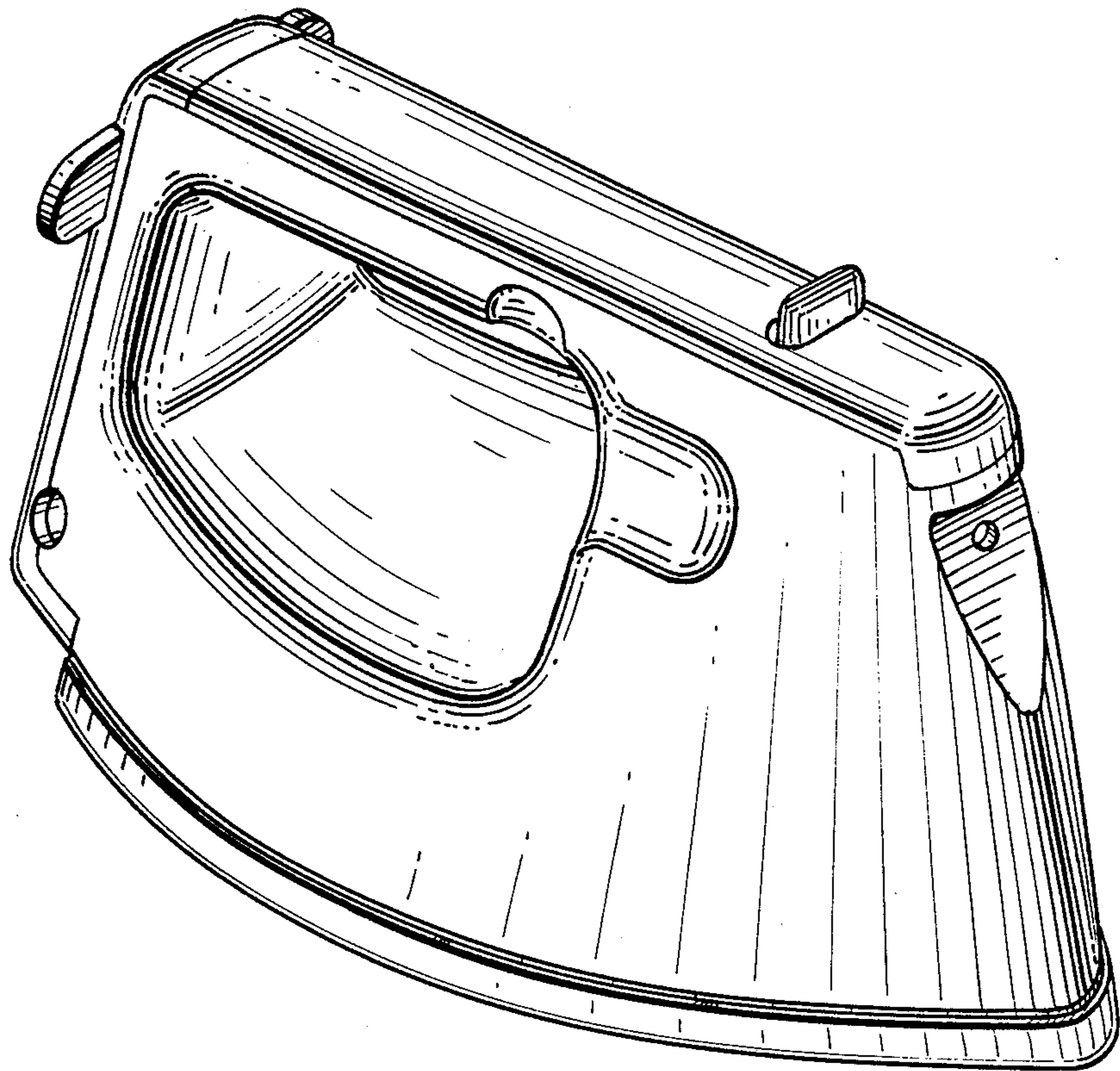
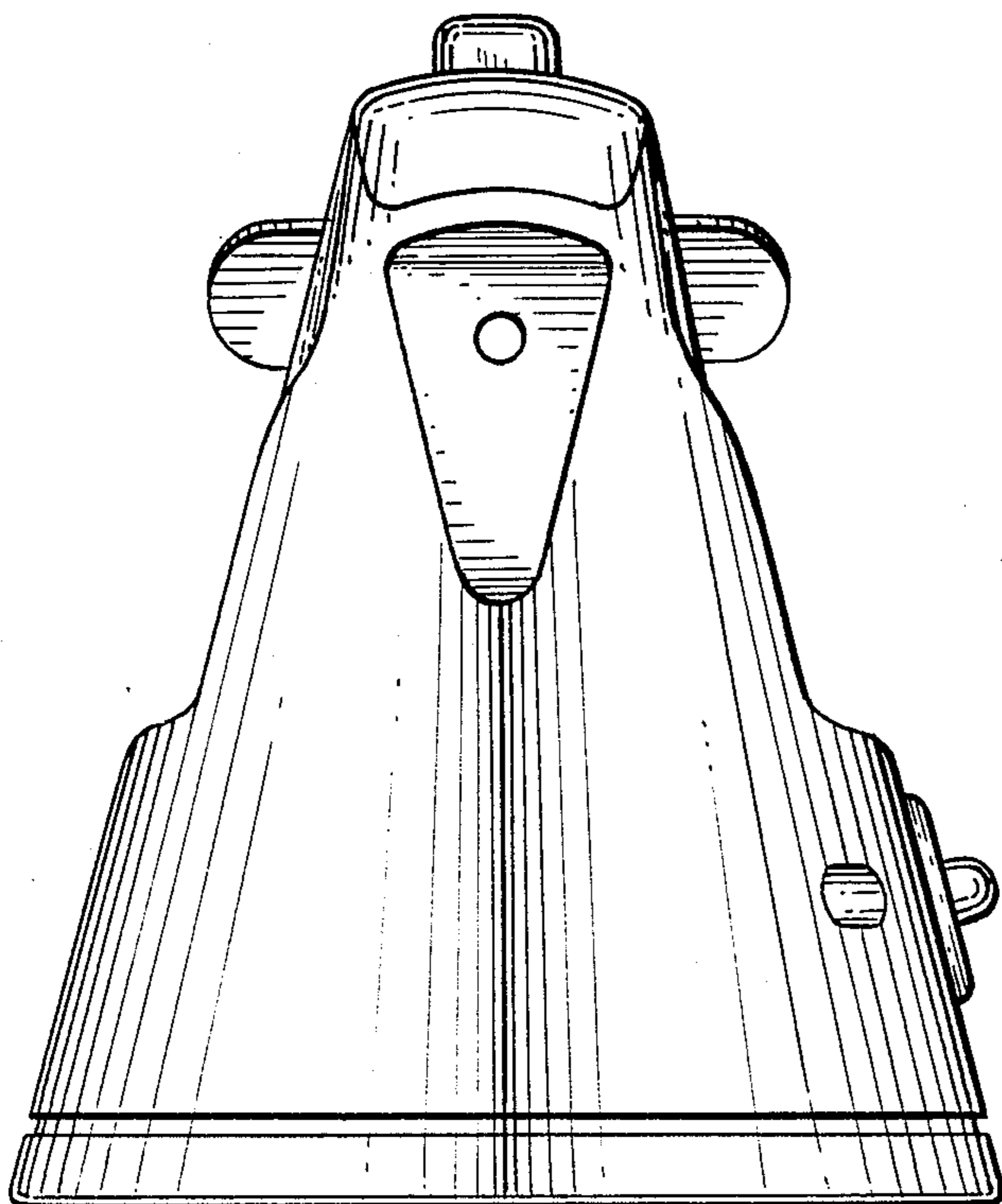
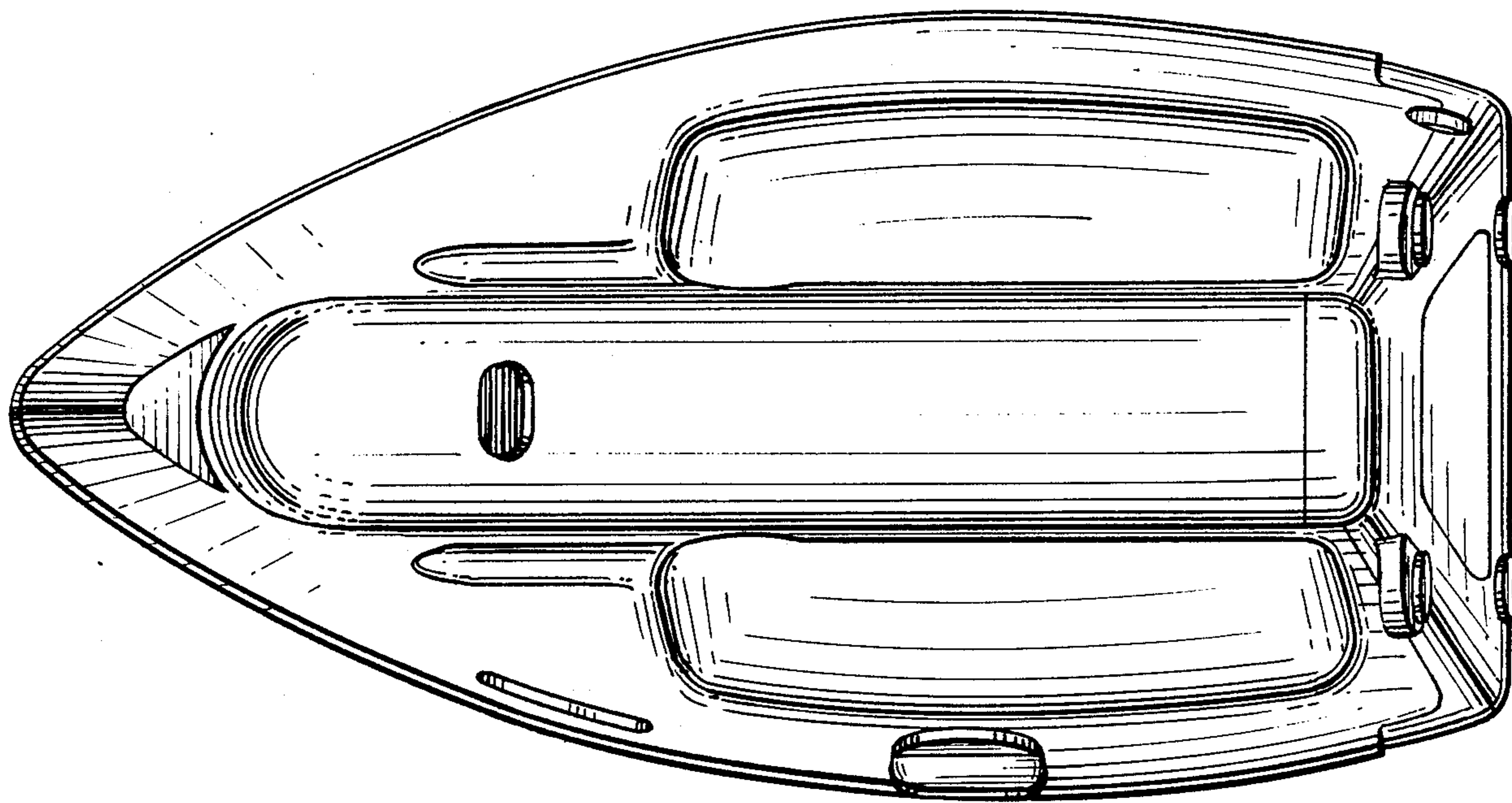


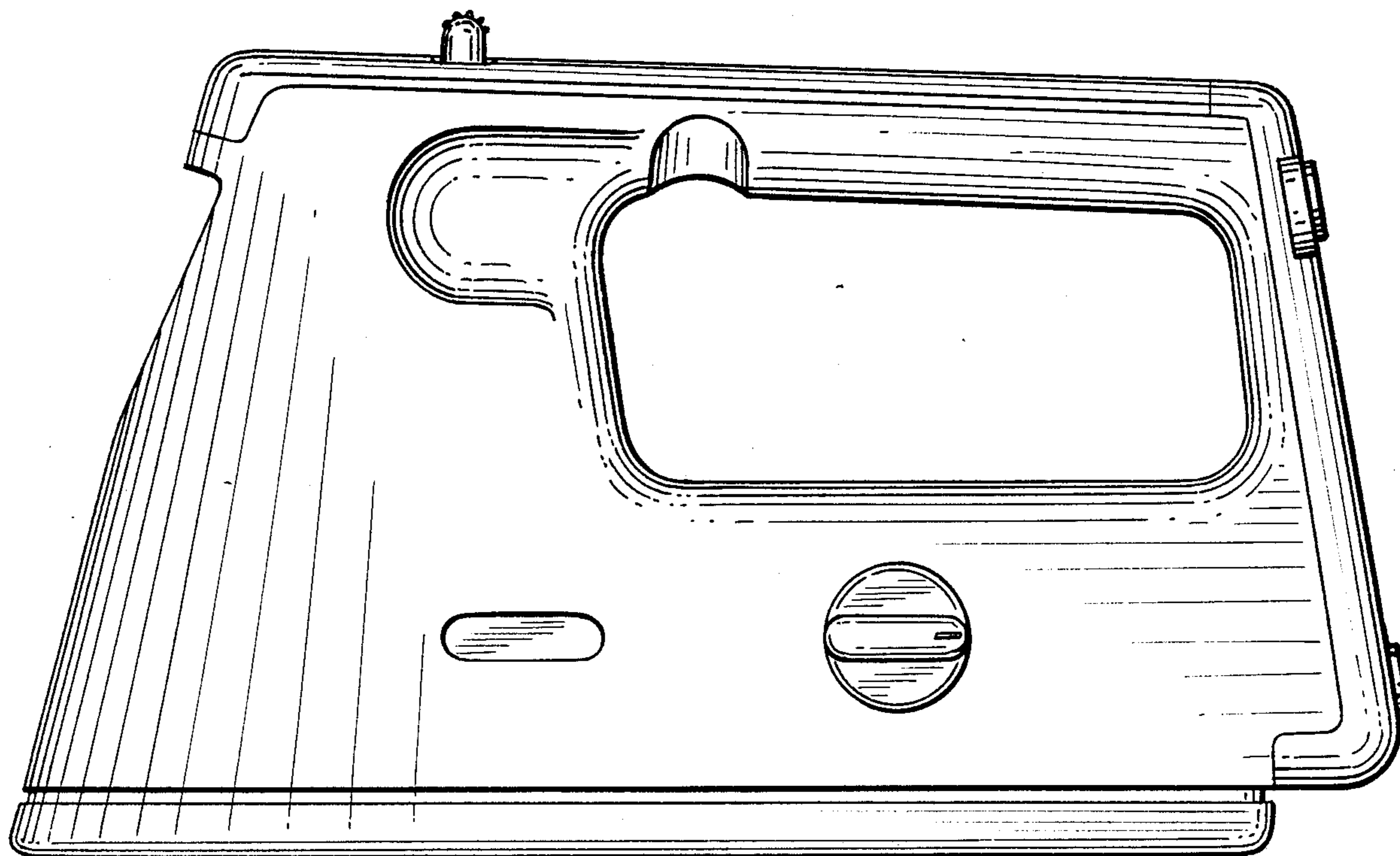
FIG. 2



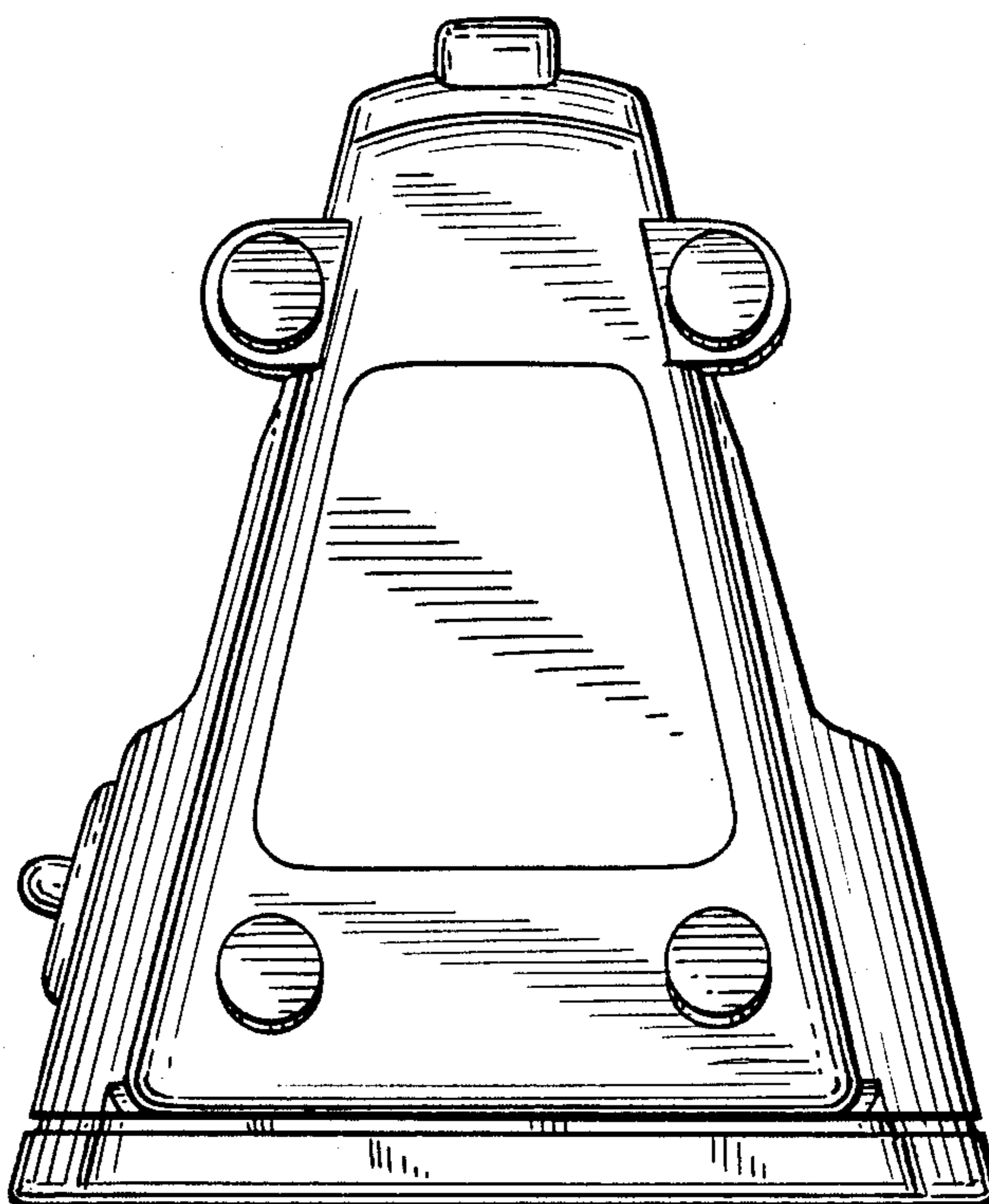
*FIG. 3*



*FIG. 4*



*FIG. 5*



*FIG. 6*

