

[54] **WELDING HELMET**

2,384,765 9/1945 O'Reilly D29/9

[76] **Inventor: Dennis A. Van Wyk, 1097 Calvin St., Eugene, Oreg. 97401**

Primary Examiner—A. Hugo Word
Assistant Examiner—Ruth McInroy
Attorney, Agent, or Firm—John F. Ingman

[**] **Term: 14 Years**

[21] **Appl. No.: 80,582**

[22] **Filed: Aug. 3, 1987**

[52] **U.S. Cl. D29/15**

[58] **Field of Search D29/7-10, D29/12, 15-18; 2/8-9; 128/201.22, 201.23**

[57] **CLAIM**

The ornamental design for a welding helmet, as shown and described.

DESCRIPTION

FIG. 1 is a front elevational view of a welding helmet showing my new design;

FIG. 2 is a rear elevational view thereof;

FIG. 3 is a side elevational view thereof;

FIG. 4 is a bottom plan view thereof; and

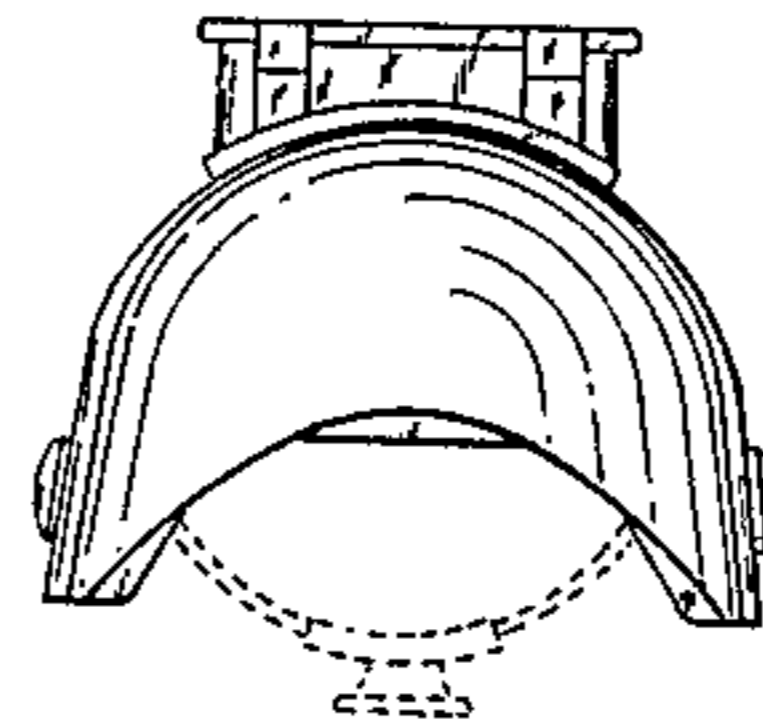
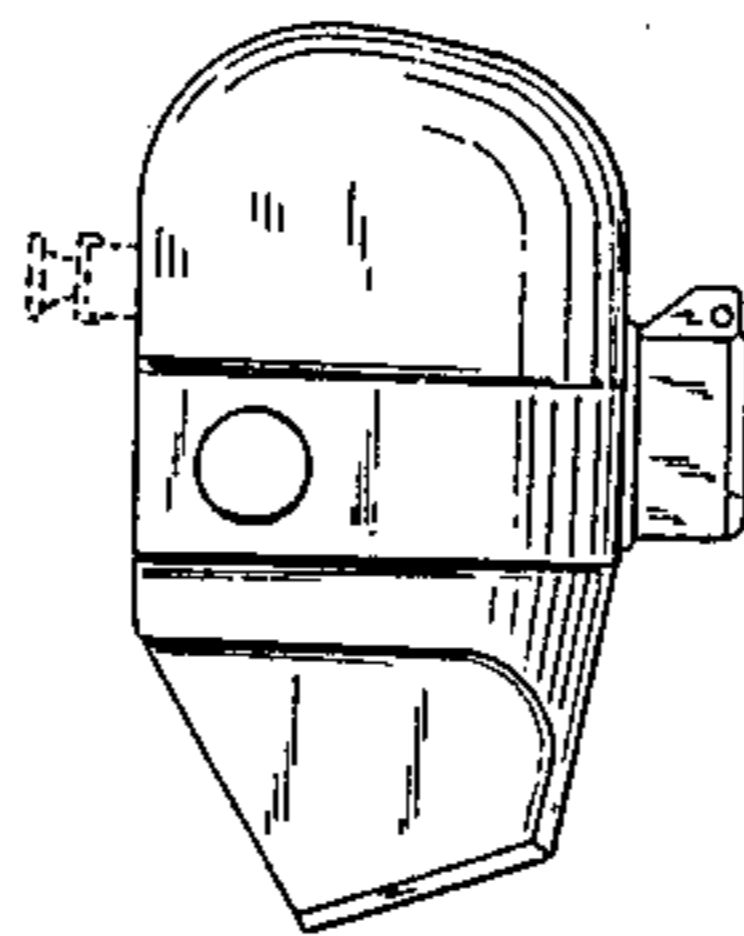
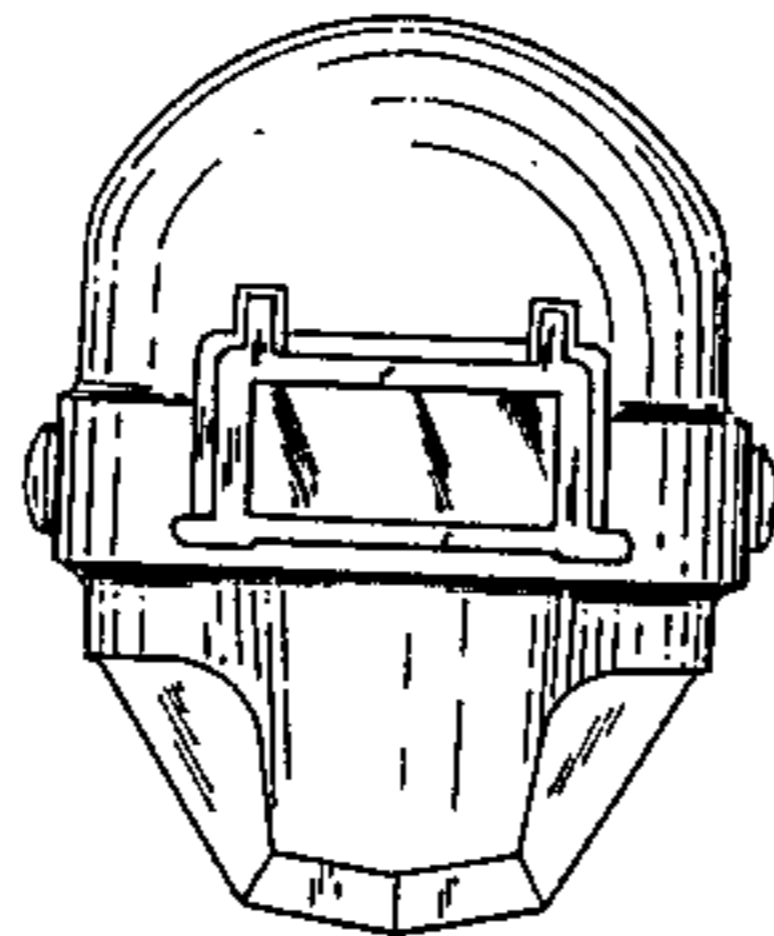
FIG. 5 is a top plan view thereof.

The headband shown in broken lines in FIGS. 3, 4, and 5 is for illustrative purposes only and forms no part of the claimed design.

[56] **References Cited**

U.S. PATENT DOCUMENTS

- D. 240,970 8/1976 Barta D29/9
- D. 249,827 10/1978 Rieppel et al. D29/15
- D. 267,207 12/1982 Hilton D29/9
- 2,056,027 9/1936 Tracey D29/9



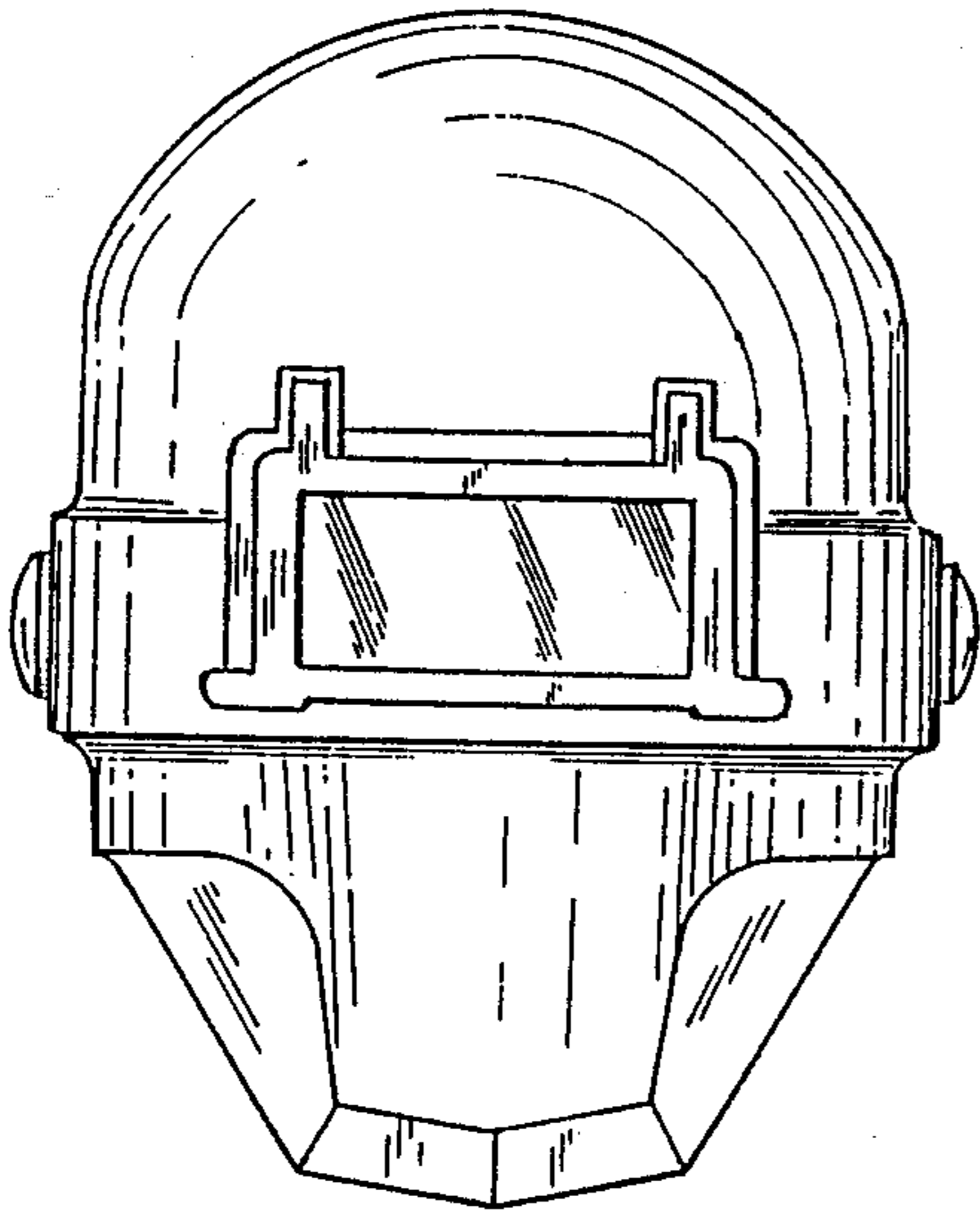


FIG. 1

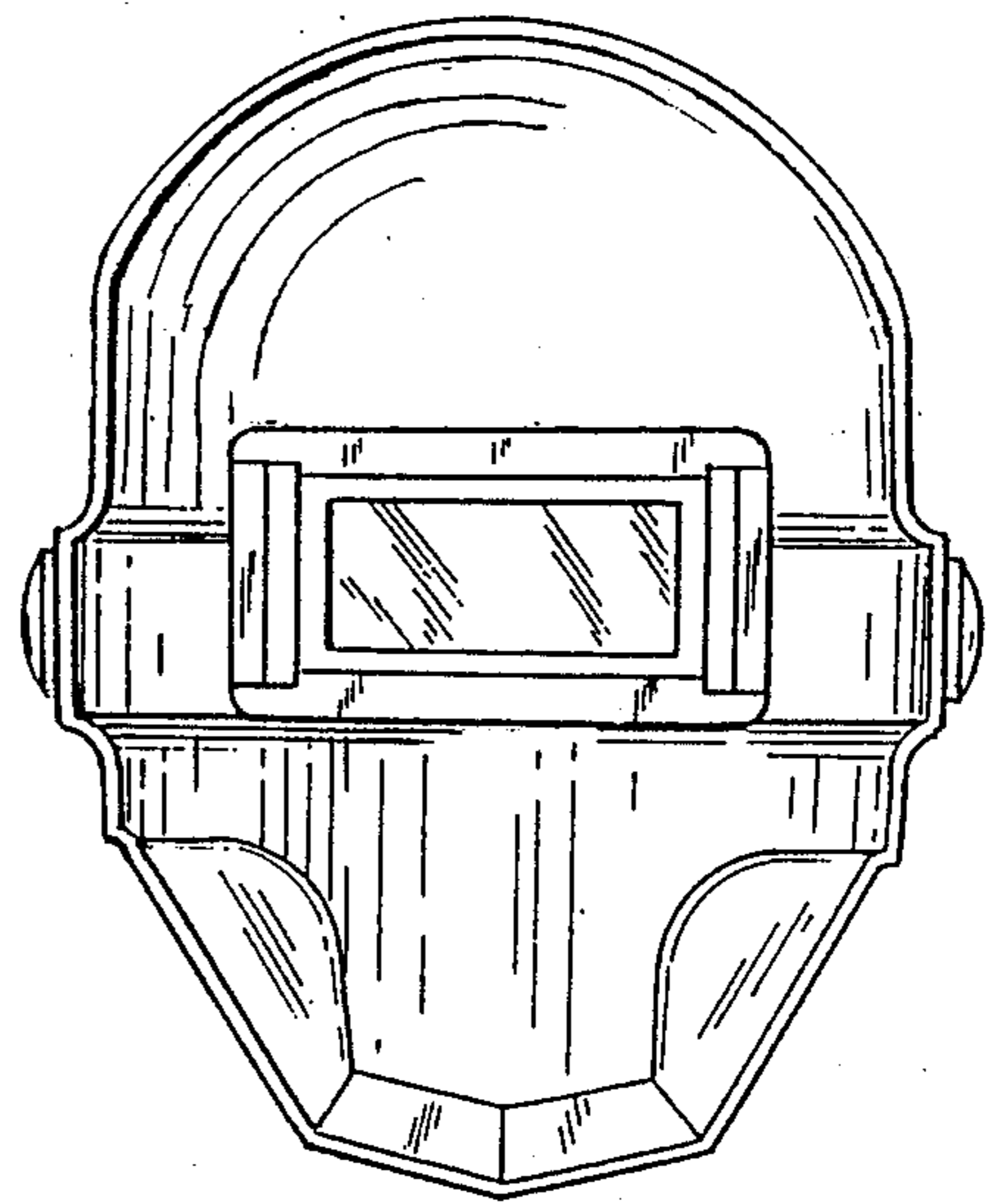


FIG. 2

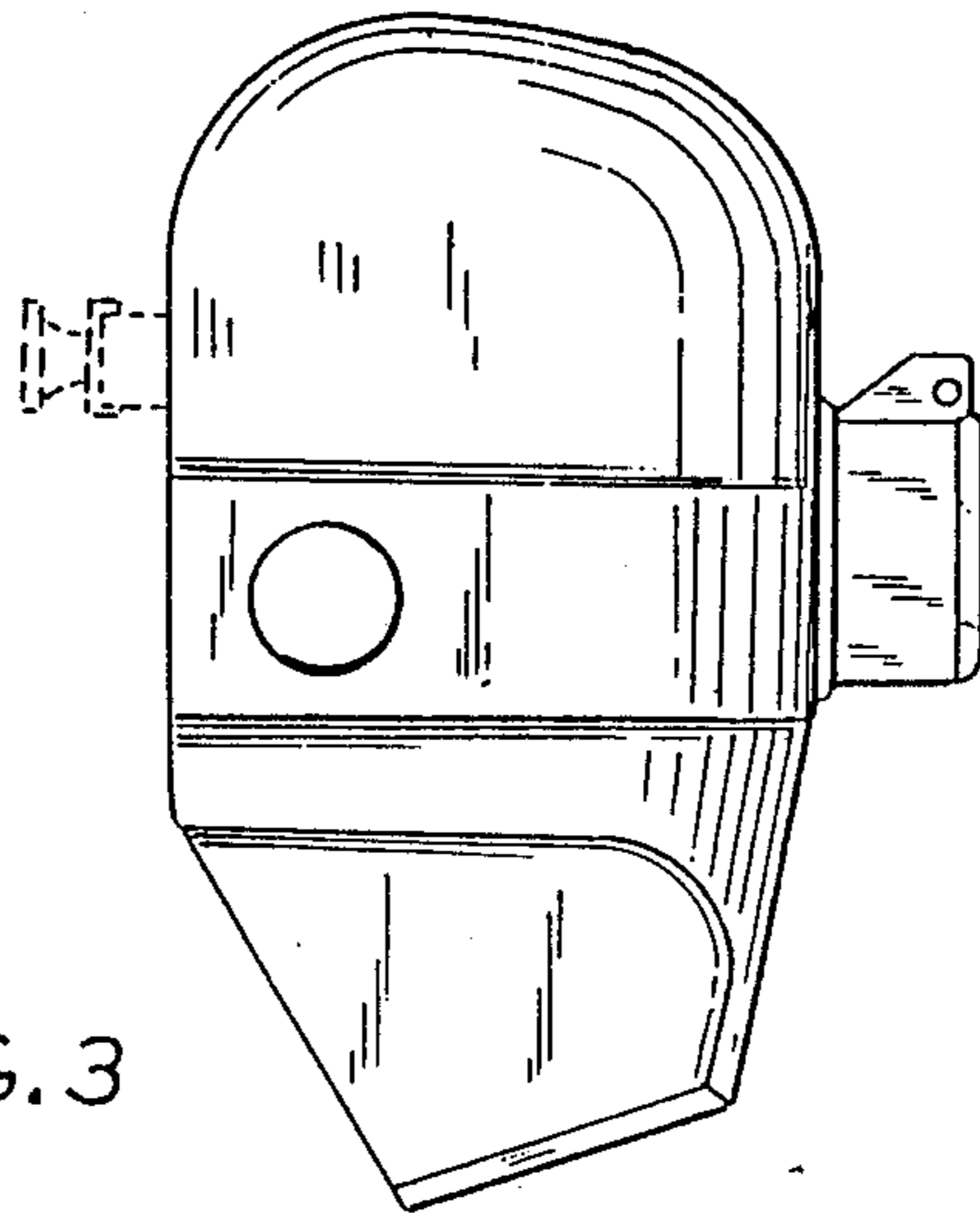


FIG. 3

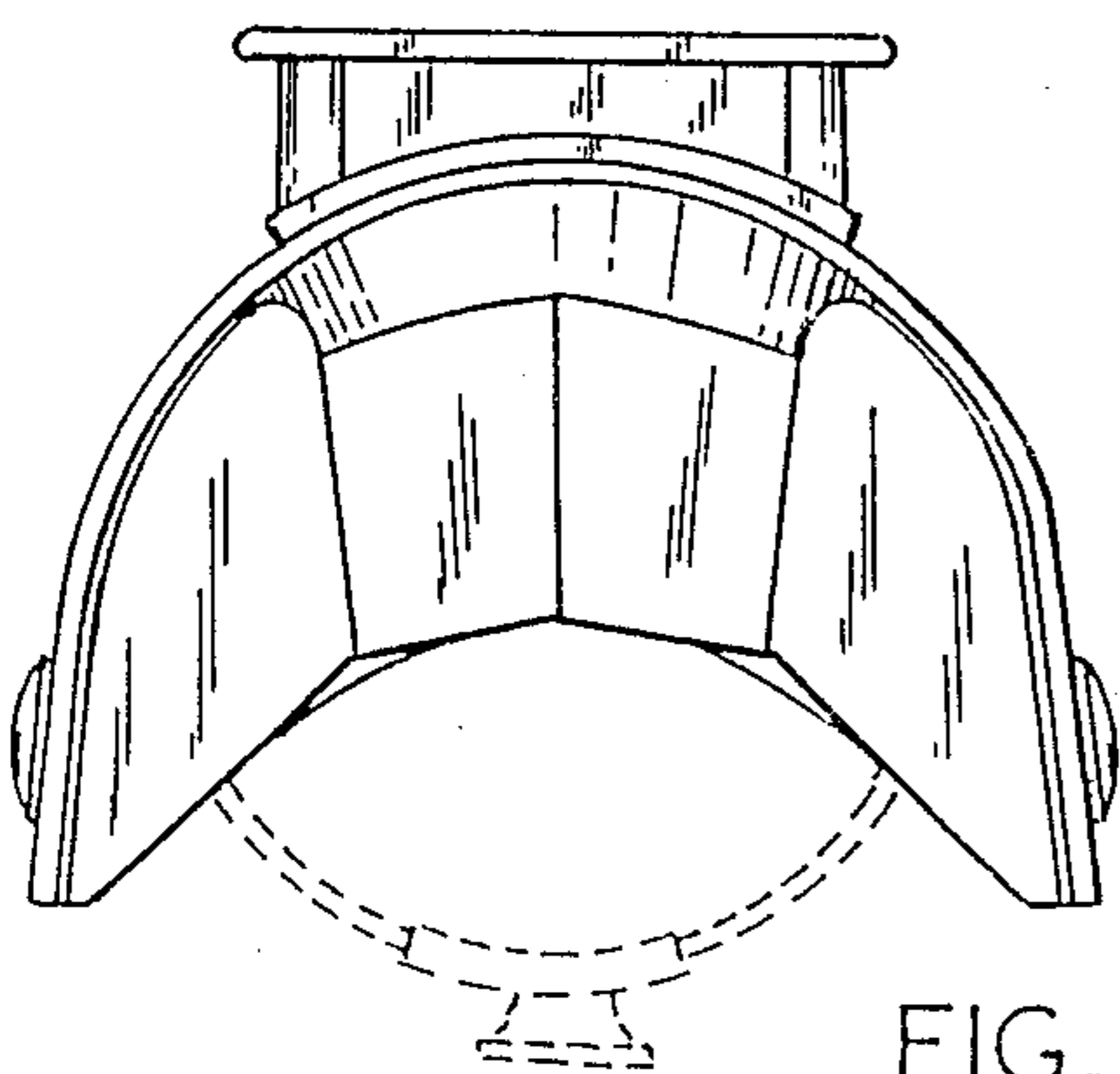


FIG. 4

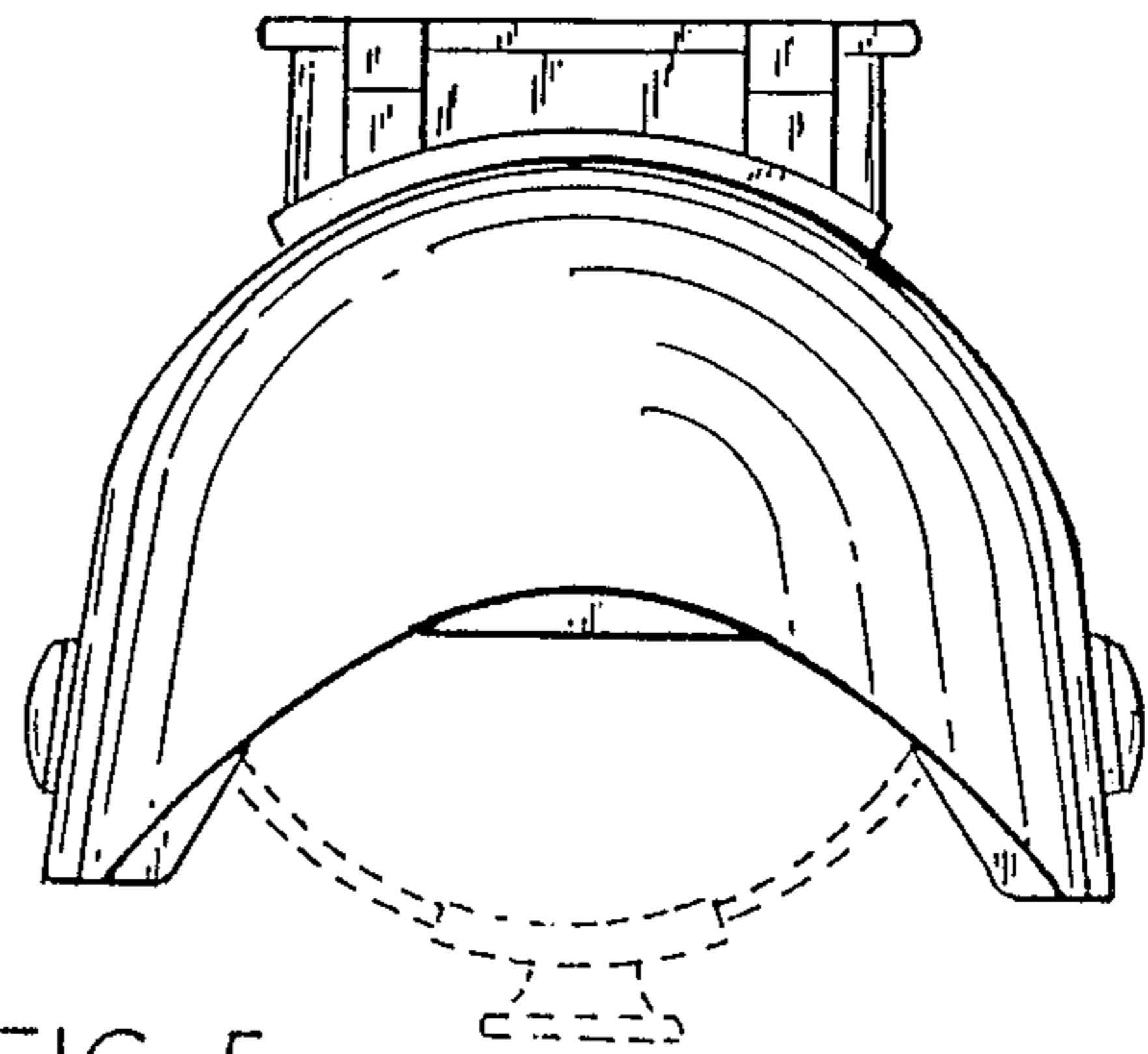


FIG. 5