

# United States Patent [19]

Kung-kit et al.

[11] Patent Number: **Des. 308,258**

[45] Date of Patent: **\*\* May 29, 1990**

[54] **MINIATURE FLASHLIGHT**

[75] Inventors: **Wen Kung-kit, Montecello; Mak K. Bui, North Point, both of Hong Kong**

[73] Assignee: **International Consumer Brands, Inc., Trumbull, Conn.**

[\*\*] Term: **14 Years**

[21] Appl. No.: **111,731**

[22] Filed: **Oct. 23, 1987**

[52] U.S. Cl. .... **D26/49**

[58] Field of Search ..... **D26/37-50; 362/157-158, 183-188, 189-197, 198-208**

[56] **References Cited**

**U.S. PATENT DOCUMENTS**

D. 302,013 7/1989 Yuen ..... D26/38

2,716,700 8/1955 La France ..... 362/184  
2,841,693 7/1958 Talbot ..... D26/49 X  
3,219,811 11/1965 Young ..... 362/158

*Primary Examiner*—Susan J. Lucas

*Assistant Examiner*—M. H. Tung

[57] **CLAIM**

The ornamental design for a miniature flashlight, as shown and described.

**DESCRIPTION**

FIG. 1 is a perspective view of a miniature flashlight showing our new design;

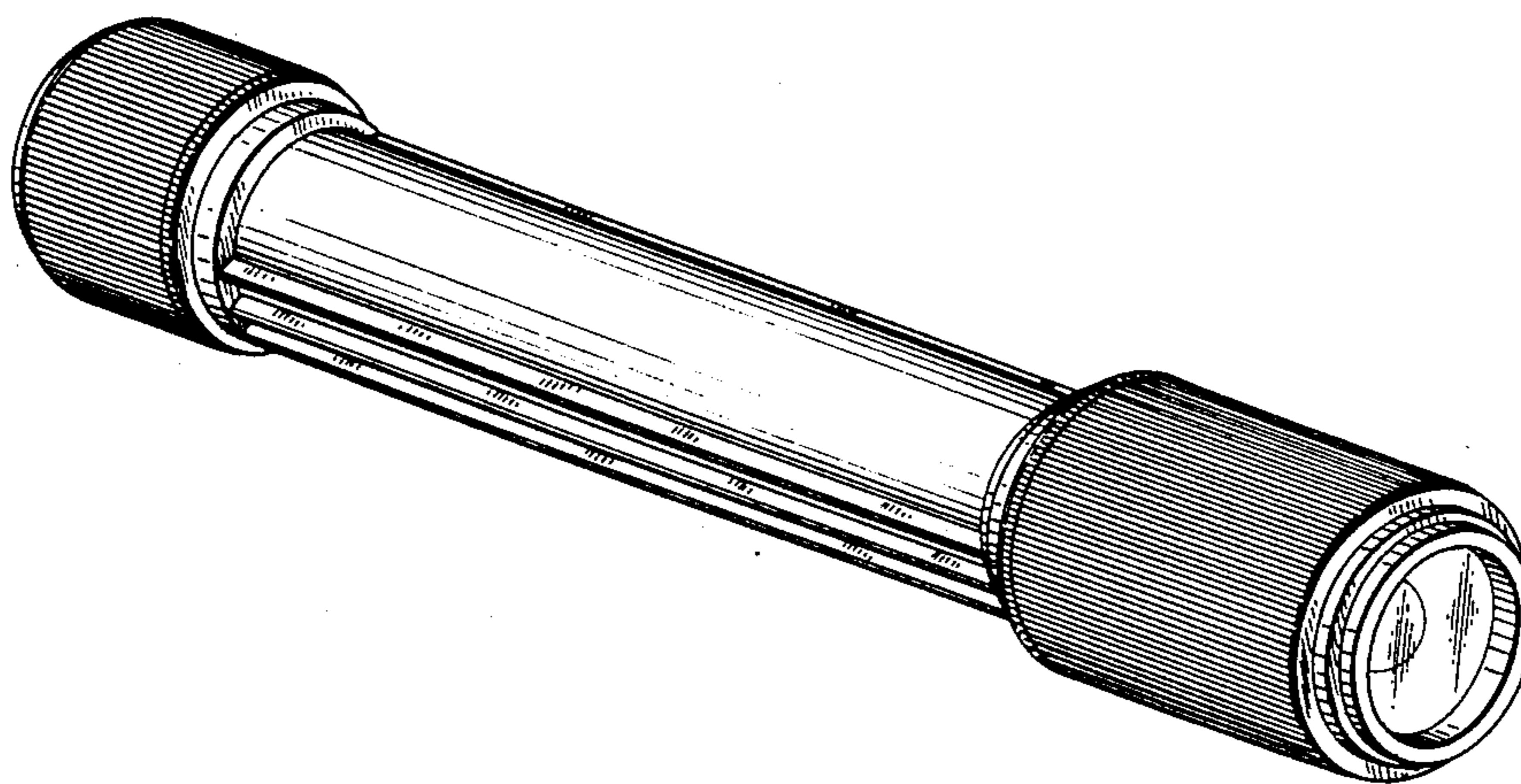
FIG. 2 is a front elevational view thereof;

FIG. 3 is a top plan view thereof;

FIG. 4 is a right side elevational view thereof, the left side being a mirror image;

FIG. 5 is a bottom plan view thereof; and

FIG. 6 is a cross-sectional view thereof, take line 6—6 of FIG. 4, on an enlarged scale.



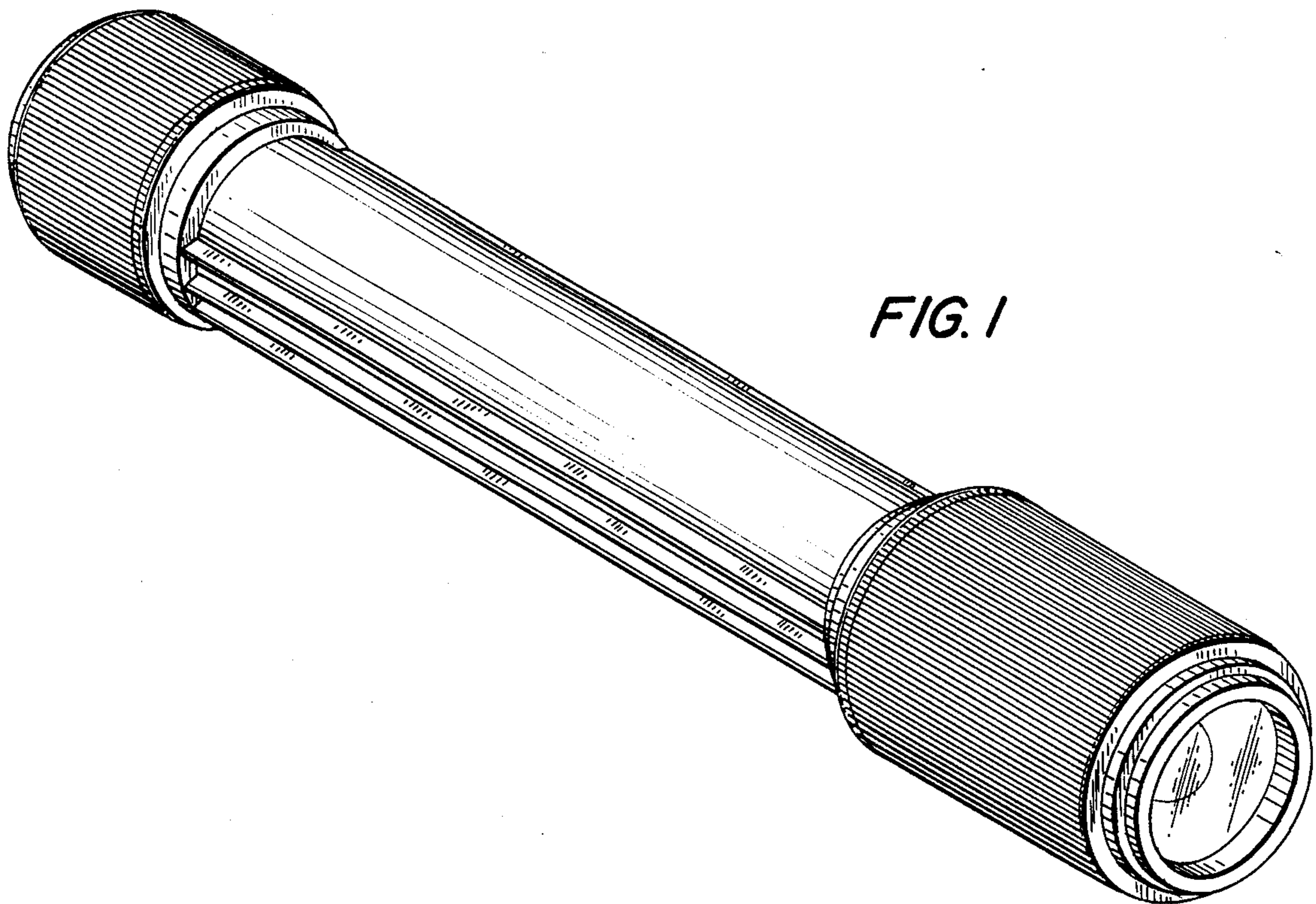


FIG. 1

FIG. 2

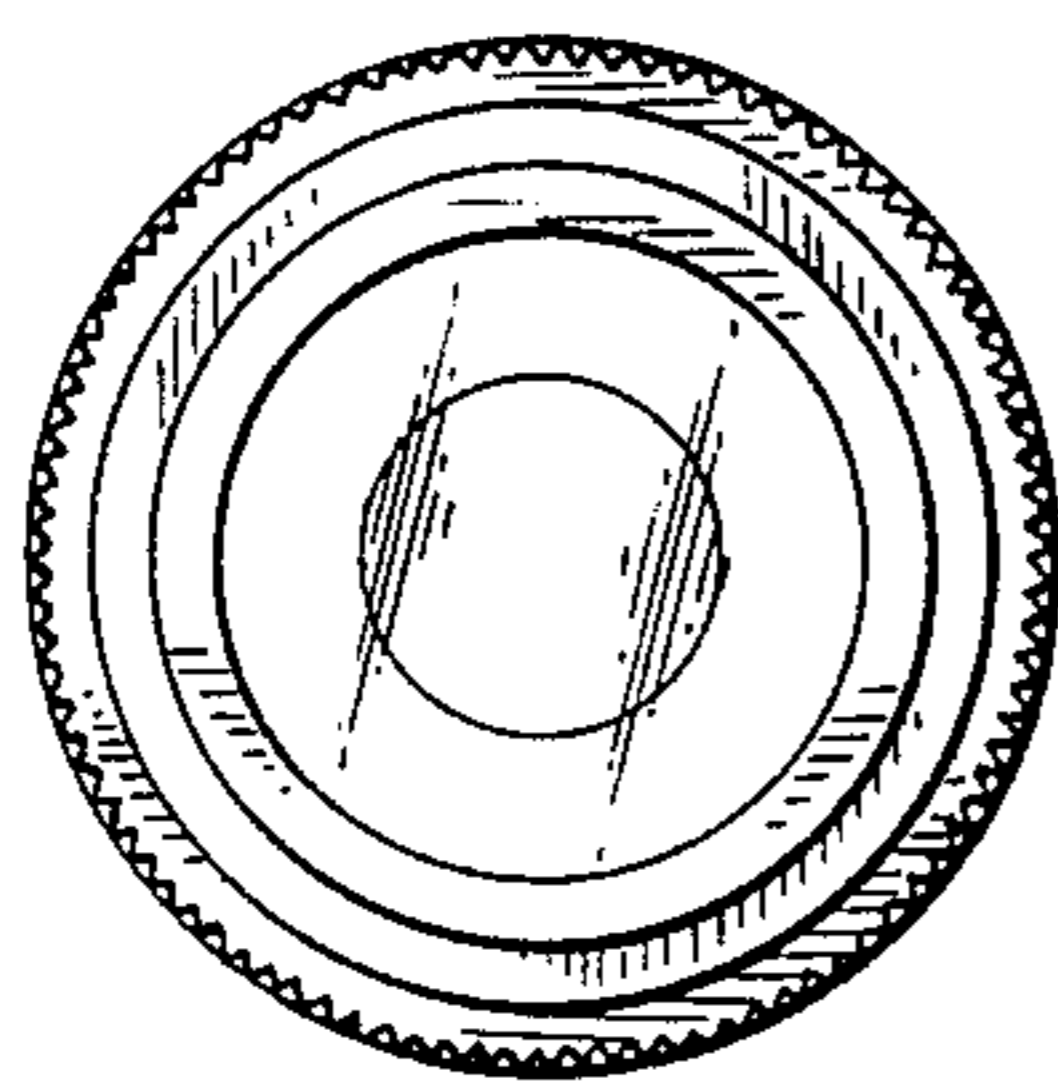


FIG. 3

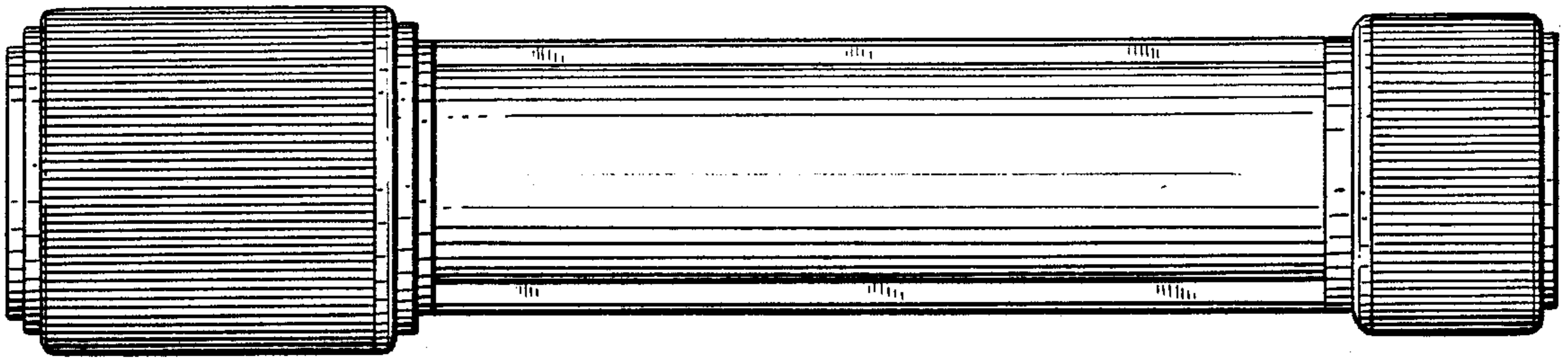


FIG. 4

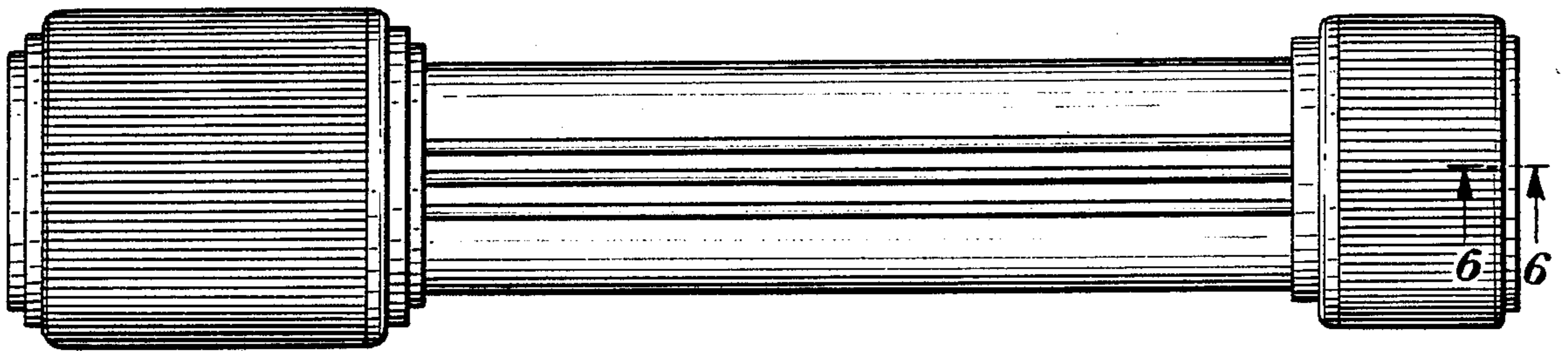


FIG. 5

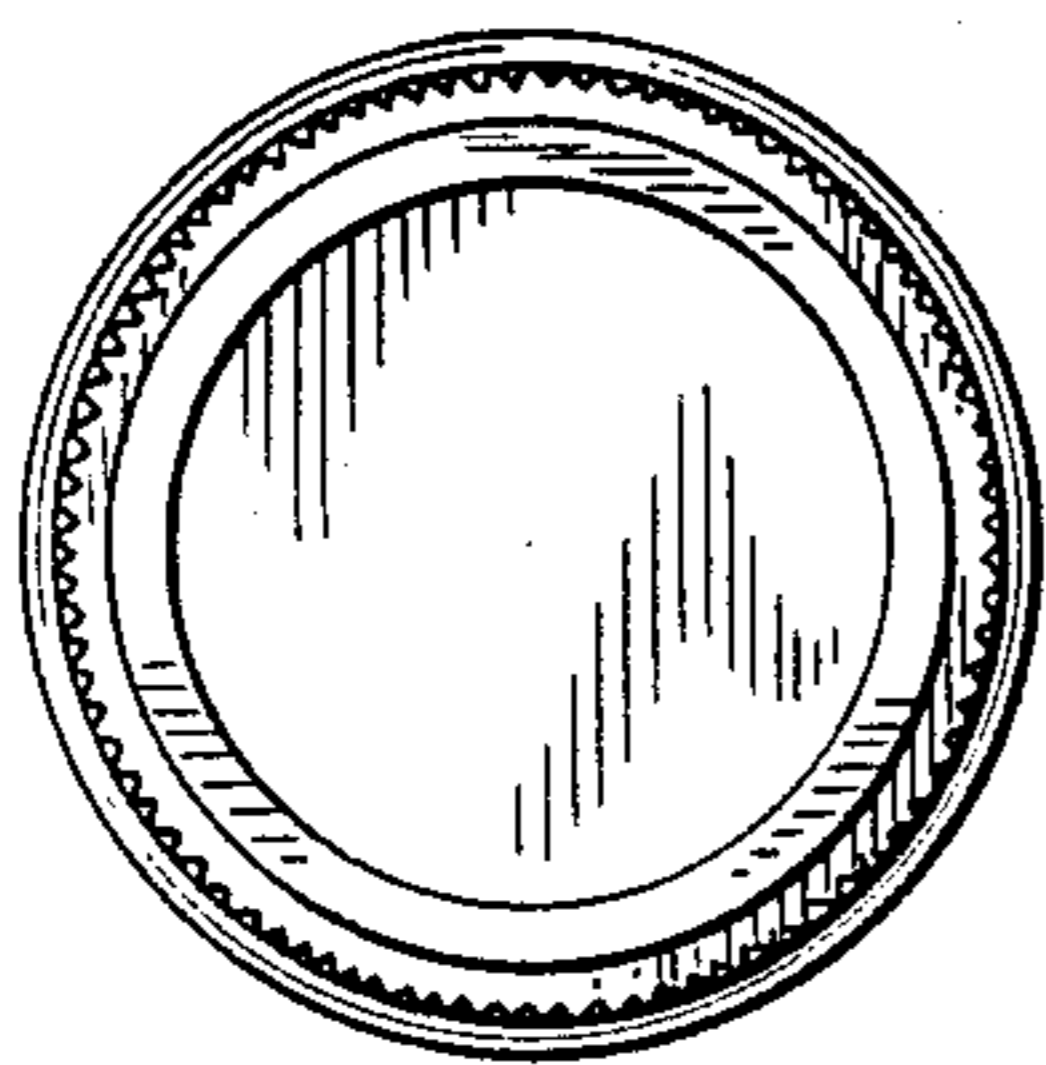


FIG. 6

