

[54] FLASHLIGHT

[75] Inventors: Robert B. Staubitz, Avon; Frank G. Marshall, Meriden, both of Conn.

[73] Assignee: The Bridgeport Metal Goods Manufacturing Company, Bridgeport, Conn.

[\*\*] Term: 14 Years

[21] Appl. No.: 98,121

[22] Filed: Sep. 18, 1987

[52] U.S. Cl. .... D26/49

[58] Field of Search ..... D26/37-50; 362/157-158, 183-187, 188-197, 198-208

[56] References Cited

U.S. PATENT DOCUMENTS

D. 249,581	9/1978	Von Clemm	.....	D26/49
D. 265,594	7/1982	Mann	.....	D26/37
D. 294,065	2/1988	Wan	.....	D26/38
D. 296,478	6/1988	Powell et al.	.....	D26/49

Primary Examiner—Susan J. Lucas

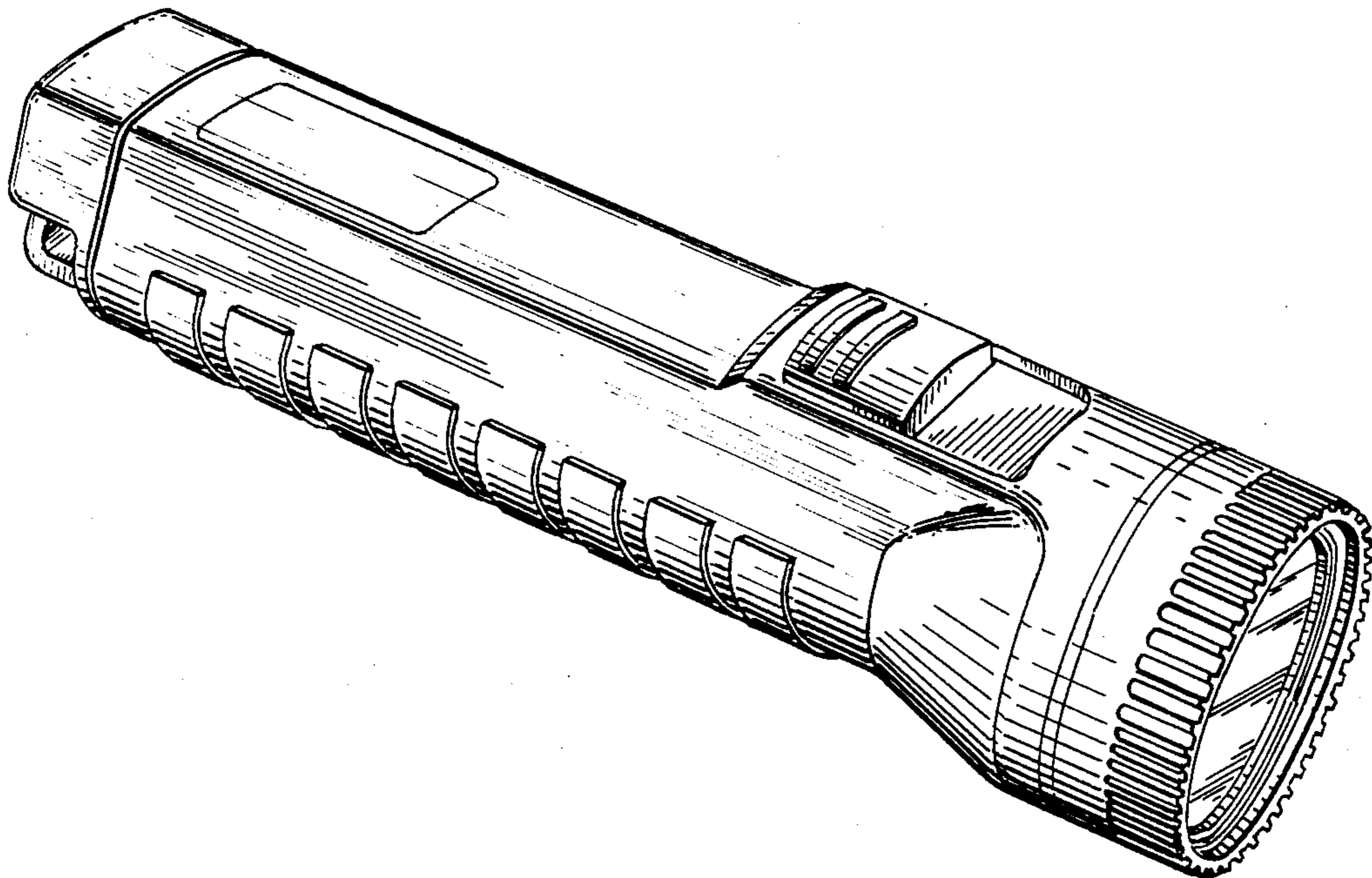
Assistant Examiner—M. H. Tung  
Attorney, Agent, or Firm—Parmelee, Bollinger & Bramblett

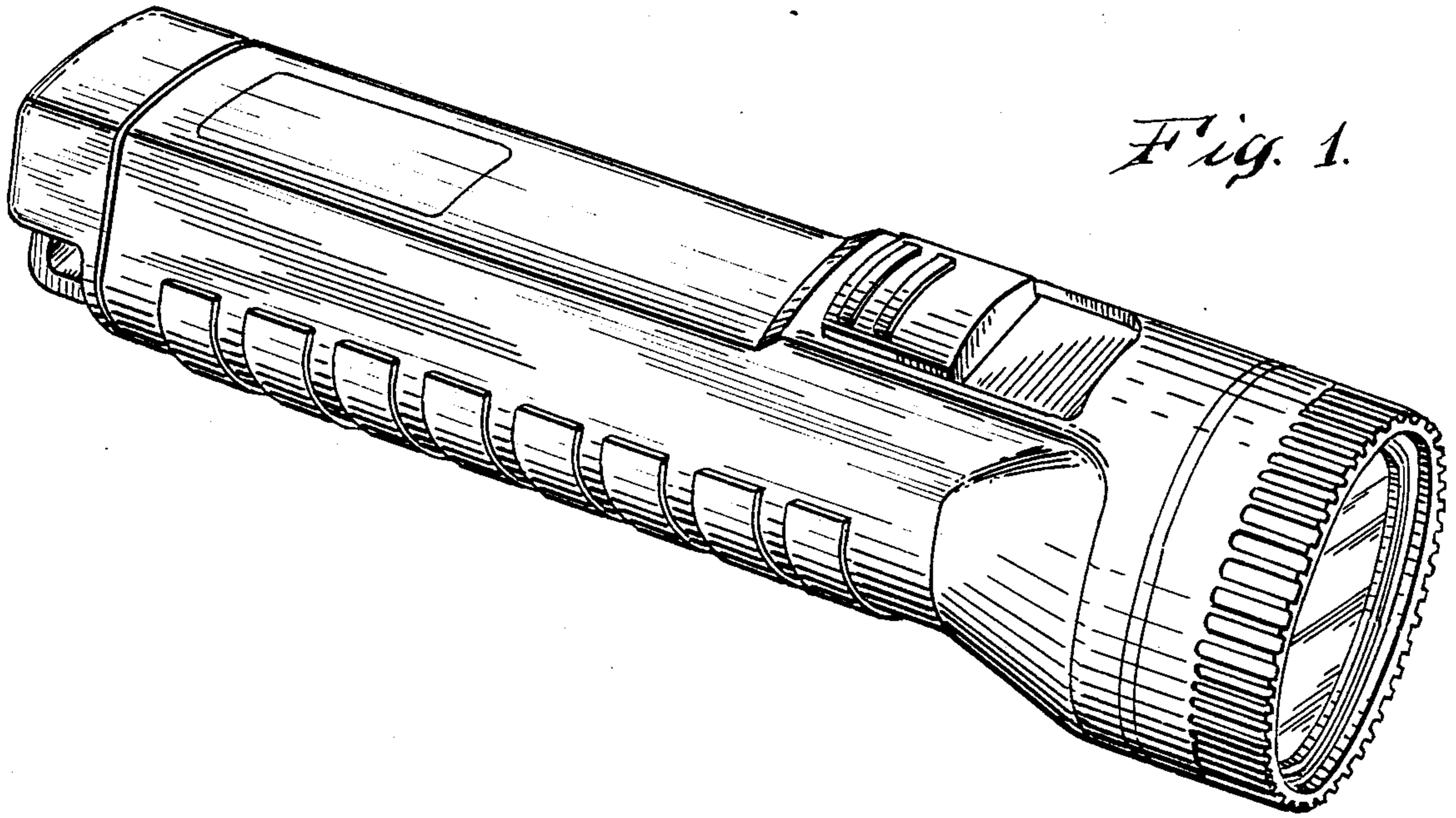
[57] CLAIM

The ornamental design for a flashlight, as shown and described.

DESCRIPTION

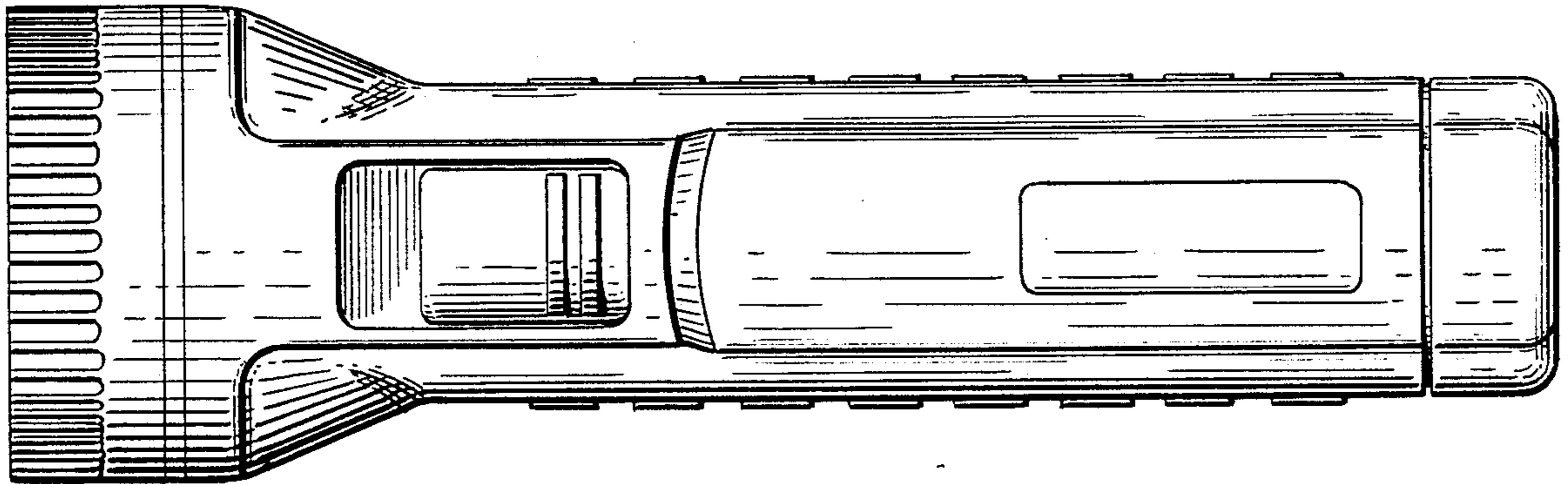
FIG. 1 is a perspective view of a flashlight showing our new design;  
 FIG. 2 is a left side elevational view thereof, the right side being a mirror image;  
 FIG. 3 is a top plan view thereof;  
 FIG. 4 is a bottom plan view thereof;  
 FIG. 5 is a front elevational view thereof;  
 FIG. 6 is a rear elevational view thereof;  
 FIG. 7 is a perspective view of a second embodiment thereof;  
 FIG. 8 is a left side elevational view thereof, the right side being a mirror image;  
 FIG. 9 is a top plan view thereof;  
 FIG. 10 is a bottom plan view thereof;  
 FIG. 11 is a front elevational view thereof;  
 FIG. 12 is a rear elevational view thereof.



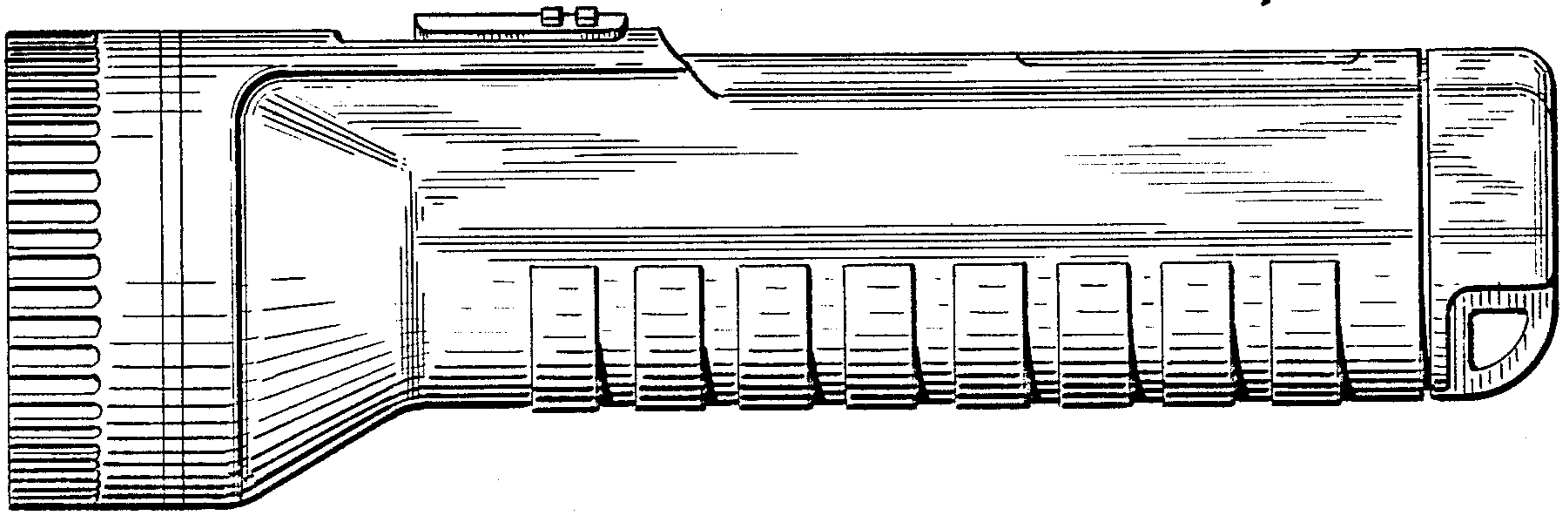


*Fig. 1.*

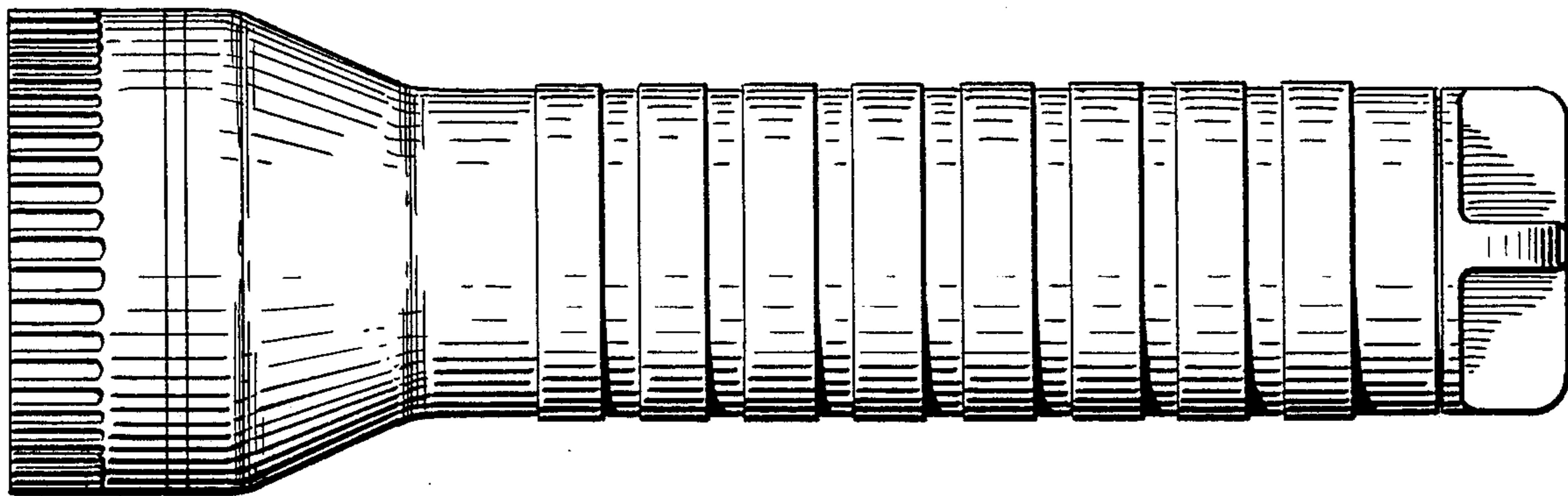
*Fig. 3.*



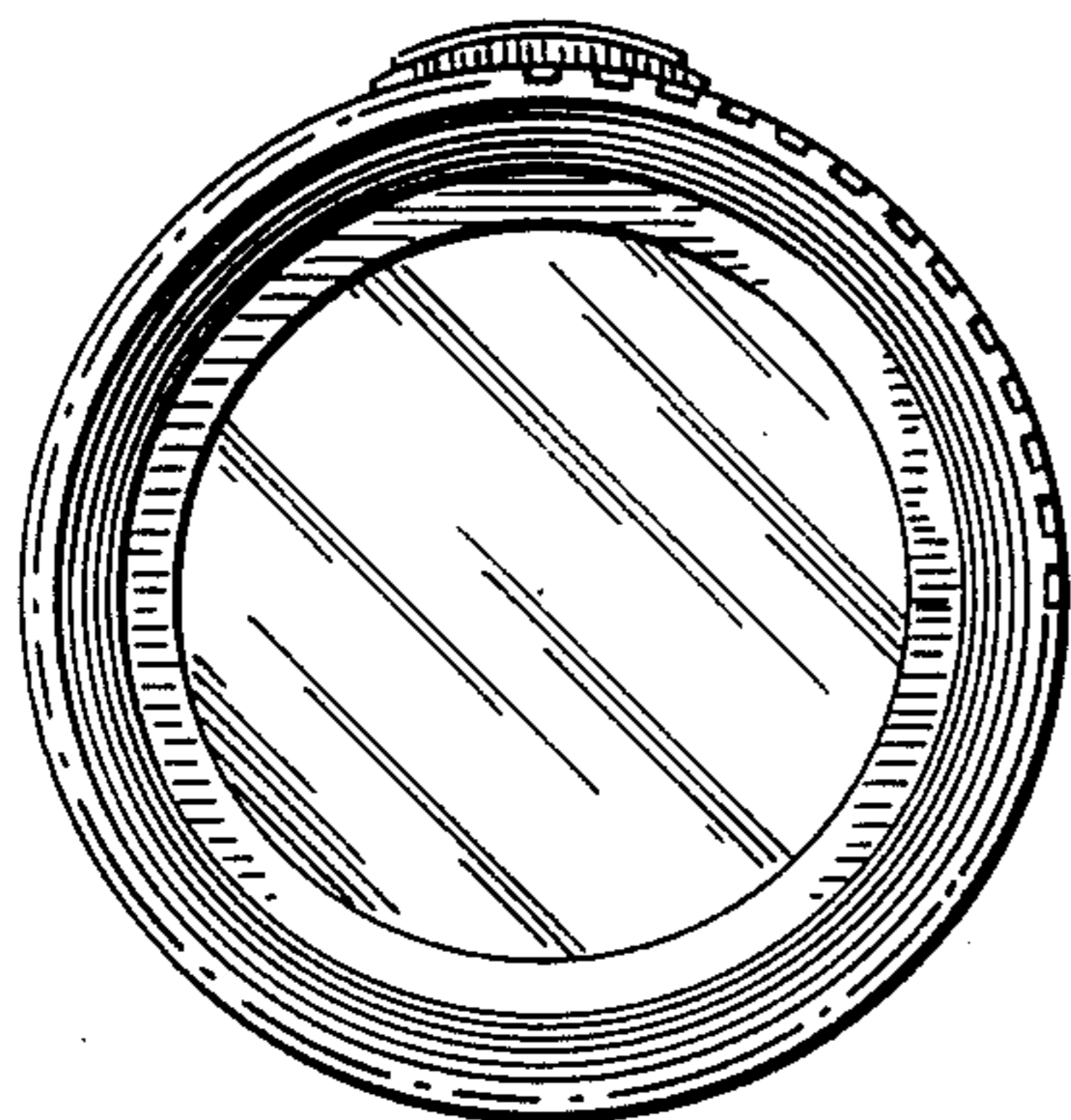
*Fig. 2.*



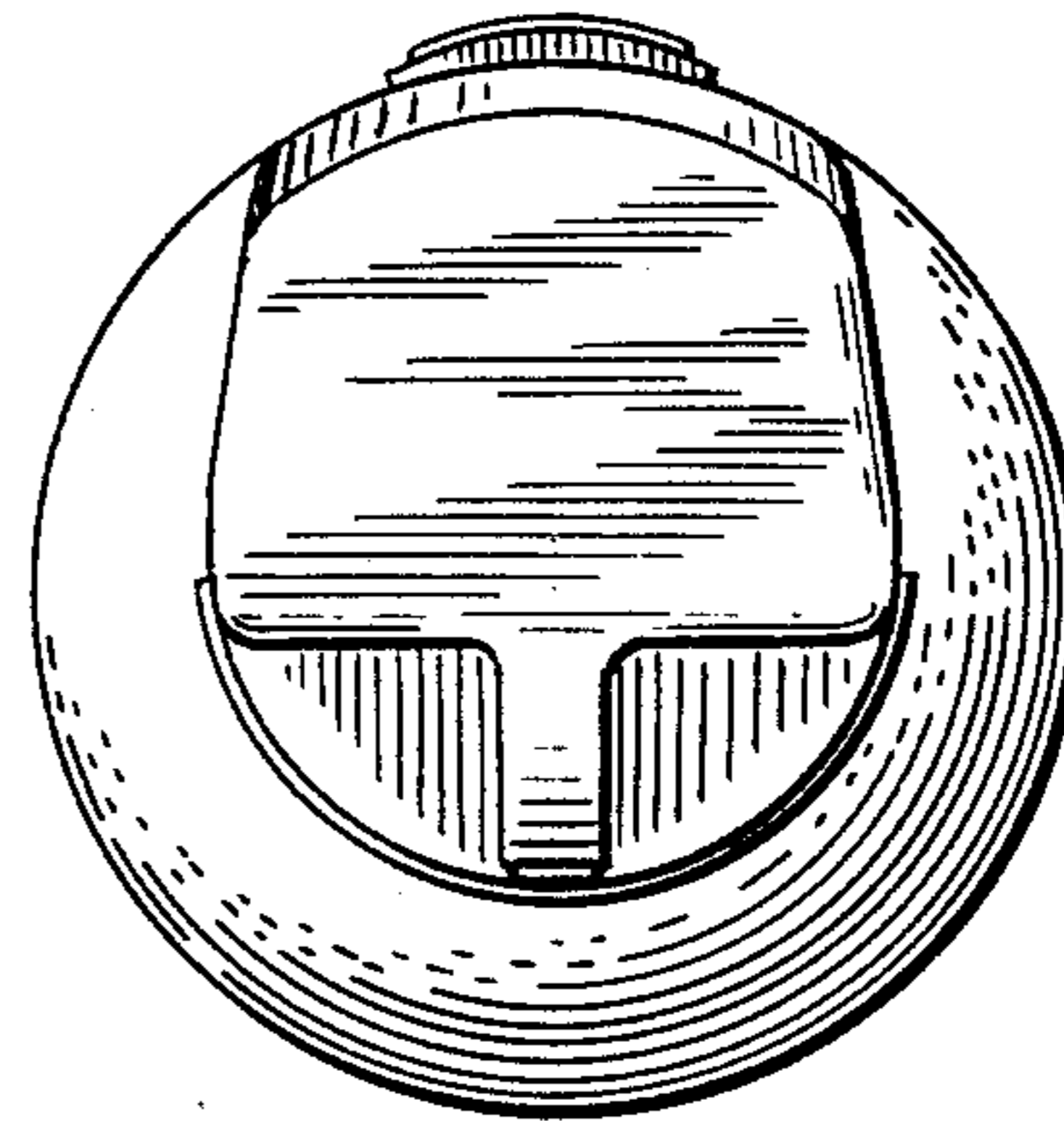
*Fig. 4.*



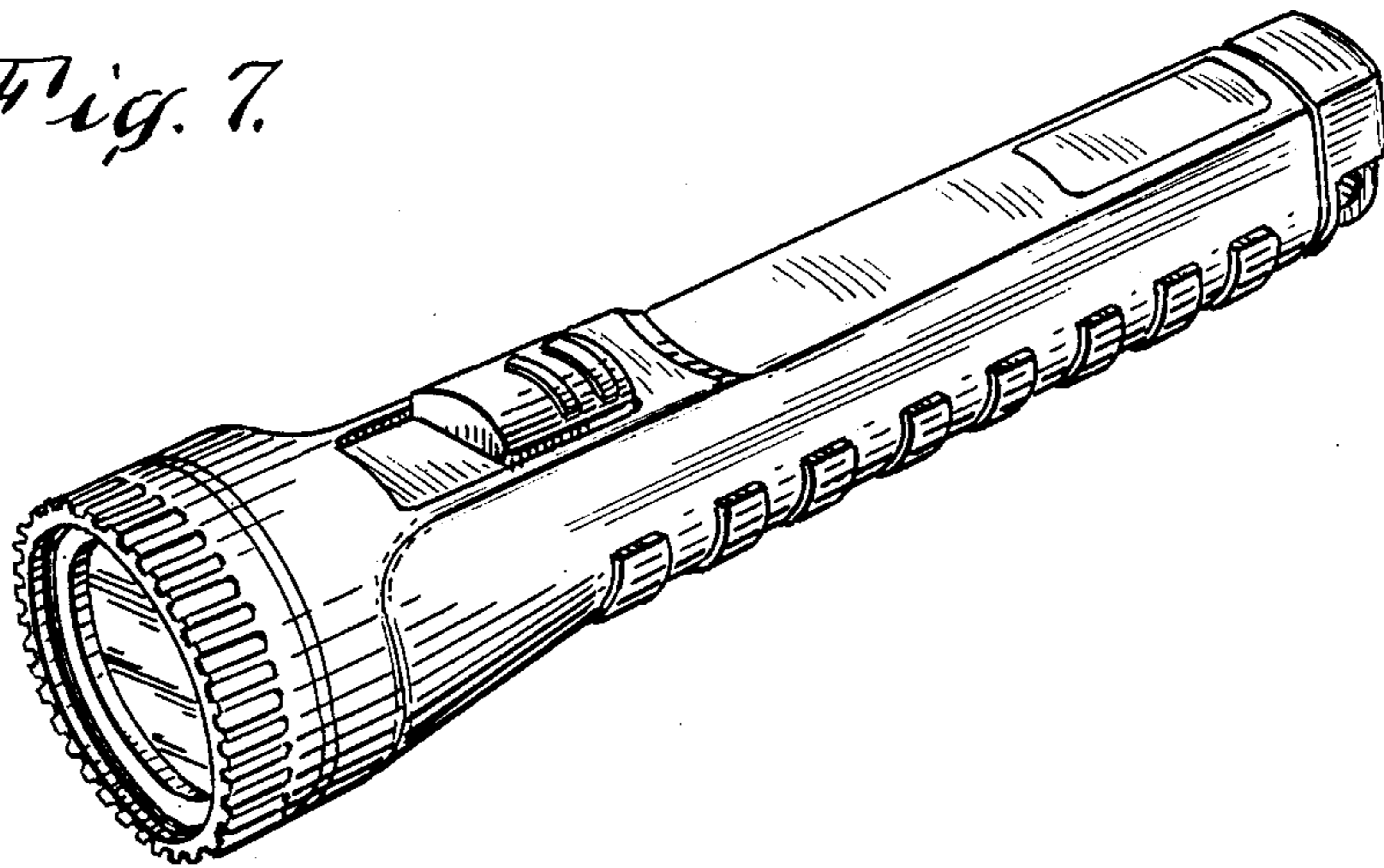
*Fig. 5.*



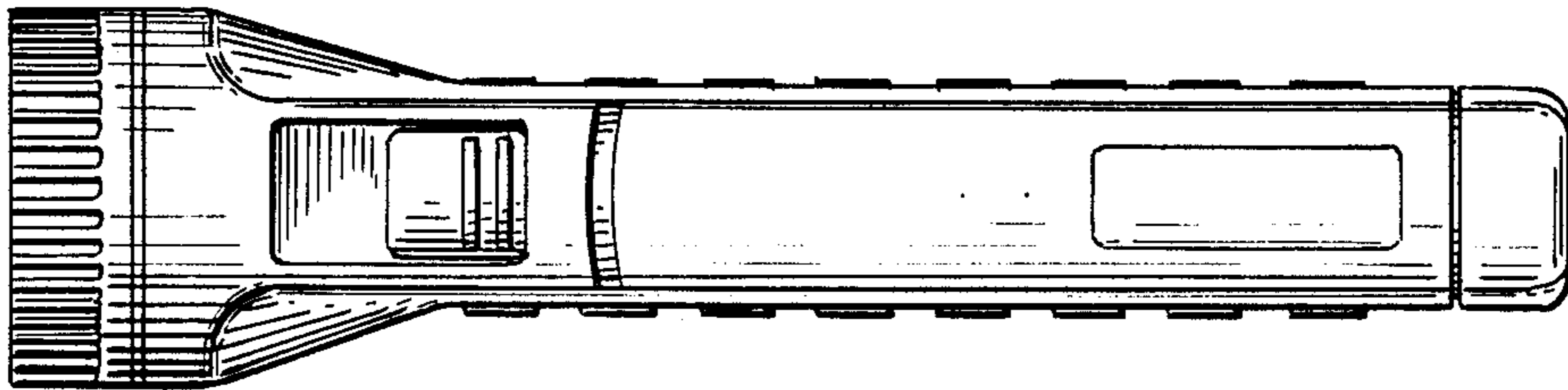
*Fig. 6.*



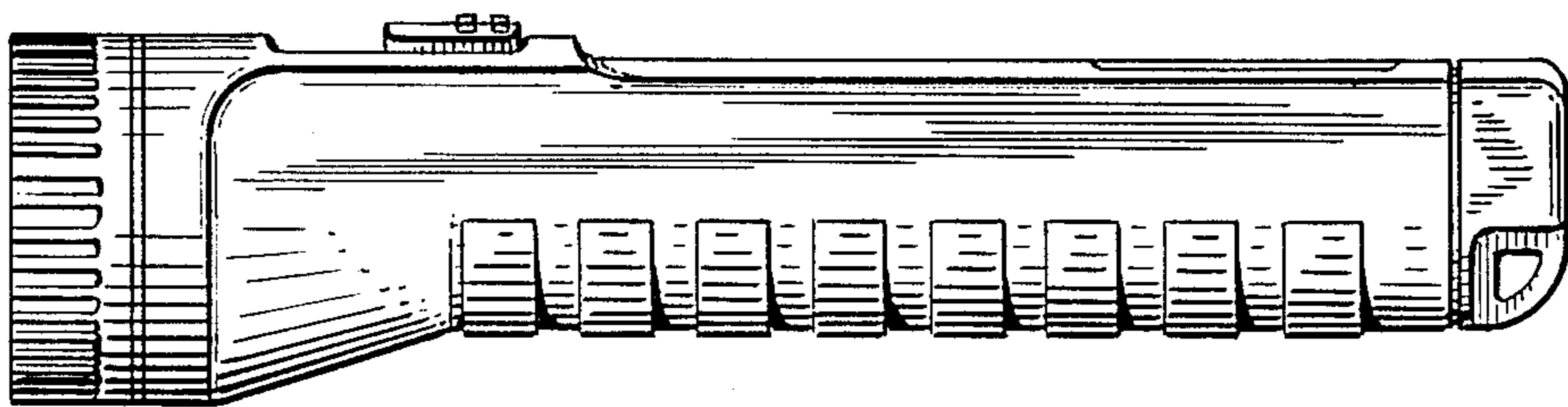
*Fig. 7.*



*Fig. 9.*



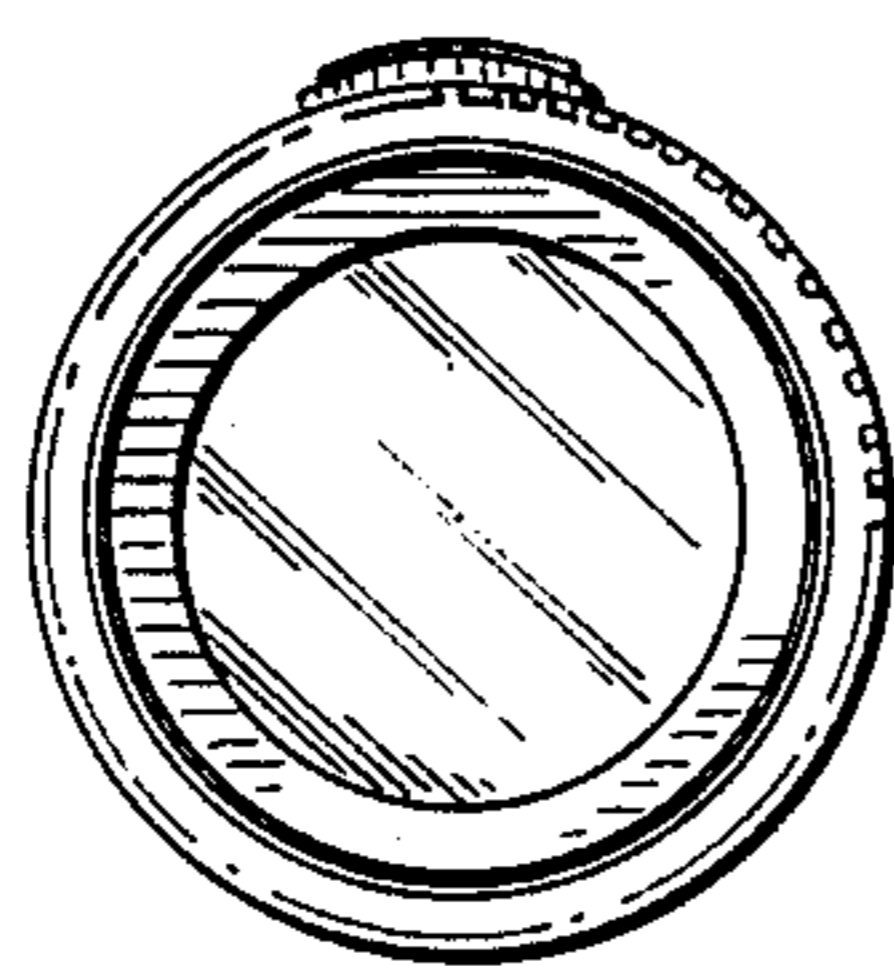
*Fig. 8.*



*Fig. 10.*



*Fig. 11.*



*Fig. 12.*

