

[54] **PORTABLE LIGHT**

[75] **Inventor: Keiichi Ohashi, Shizuoka, Japan**

[73] **Assignee: Skylite Industry Co., Ltd., Shizuoka, Japan**

[**] **Term: 14 Years**

[21] **Appl. No.: 51,607**

[22] **Filed: May 20, 1987**

[30] **Foreign Application Priority Data**

Mar. 18, 1987 [JP] Japan 62-10185
[52] **U.S. Cl. D26/48**
[58] **Field of Search D26/37-50;**
362/157-158, 183-188, 189-197, 198-208

[56] **References Cited**

U.S. PATENT DOCUMENTS

D. 289,800 5/1987 Fenne D26/48
D. 296,243 6/1988 Ohashi D26/38
D. 302,013 7/1989 Yuen D26/38 X

Primary Examiner—Susan J. Lucas
Assistant Examiner—M. H. Tung
Attorney, Agent, or Firm—Wegner & Bretschneider

[57] **CLAIM**

The ornamental design for portable light, as shown and described.

DESCRIPTION

FIG. 1 is a perspective view of a portable light showing my new design;
FIG. 2 is a front elevational view thereof;
FIG. 3 is a rear elevational view thereof;
FIG. 4 is a right side elevational view thereof;
FIG. 5 is a left side elevational view thereof;
FIG. 6 is a top plan view thereof; and
FIG. 7 is a bottom plan view thereof.

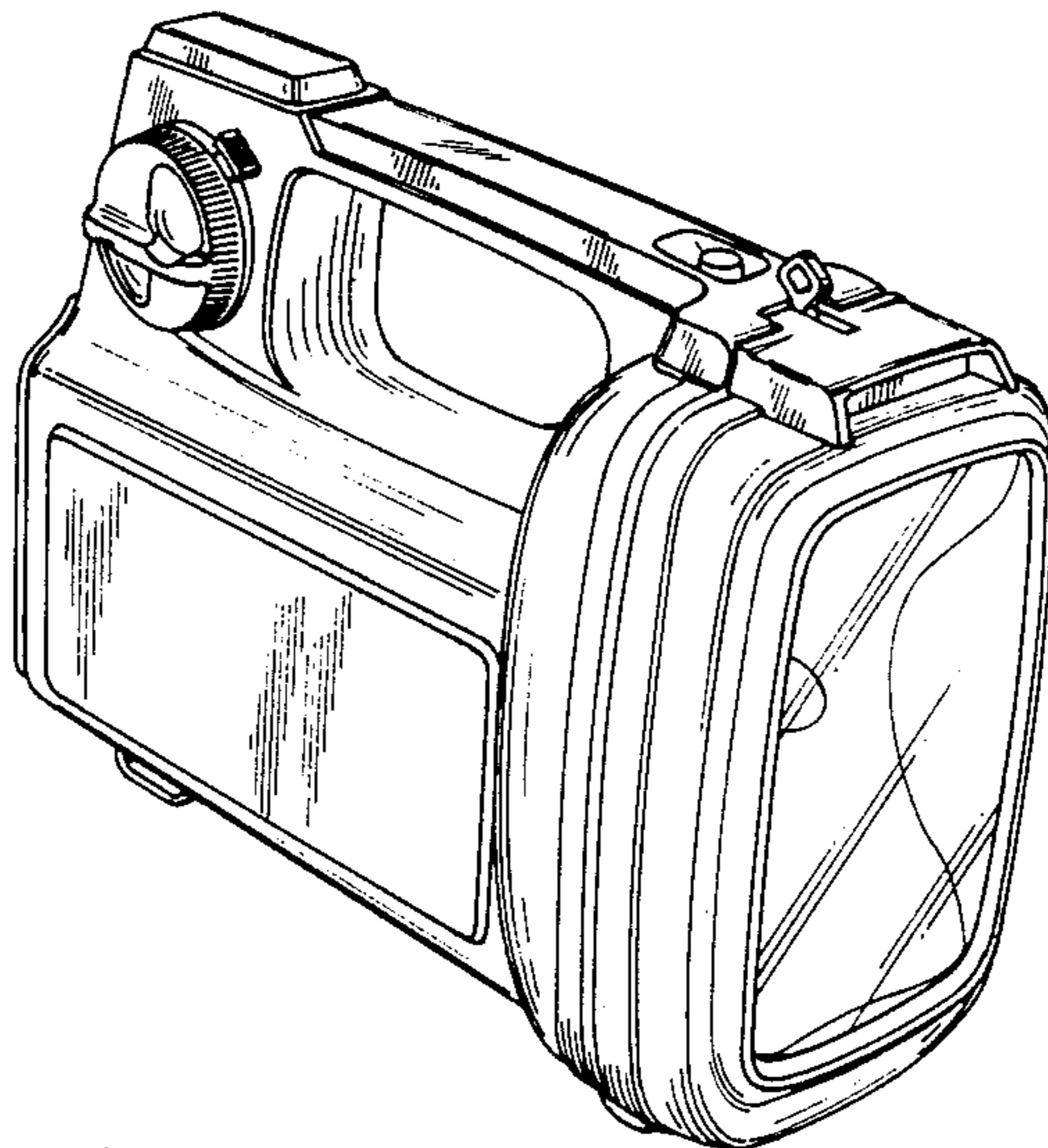


FIG. 1

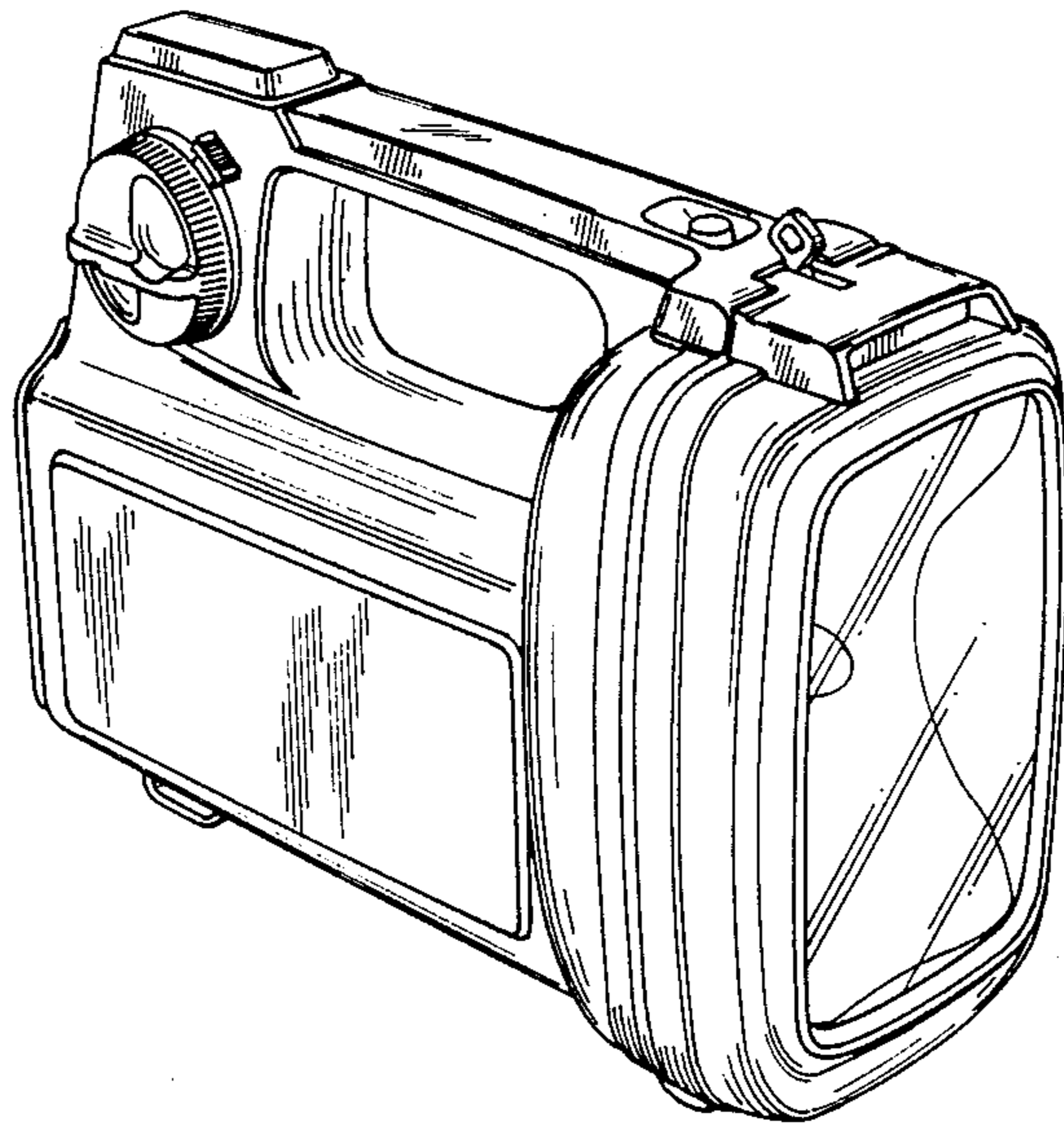


FIG. 2

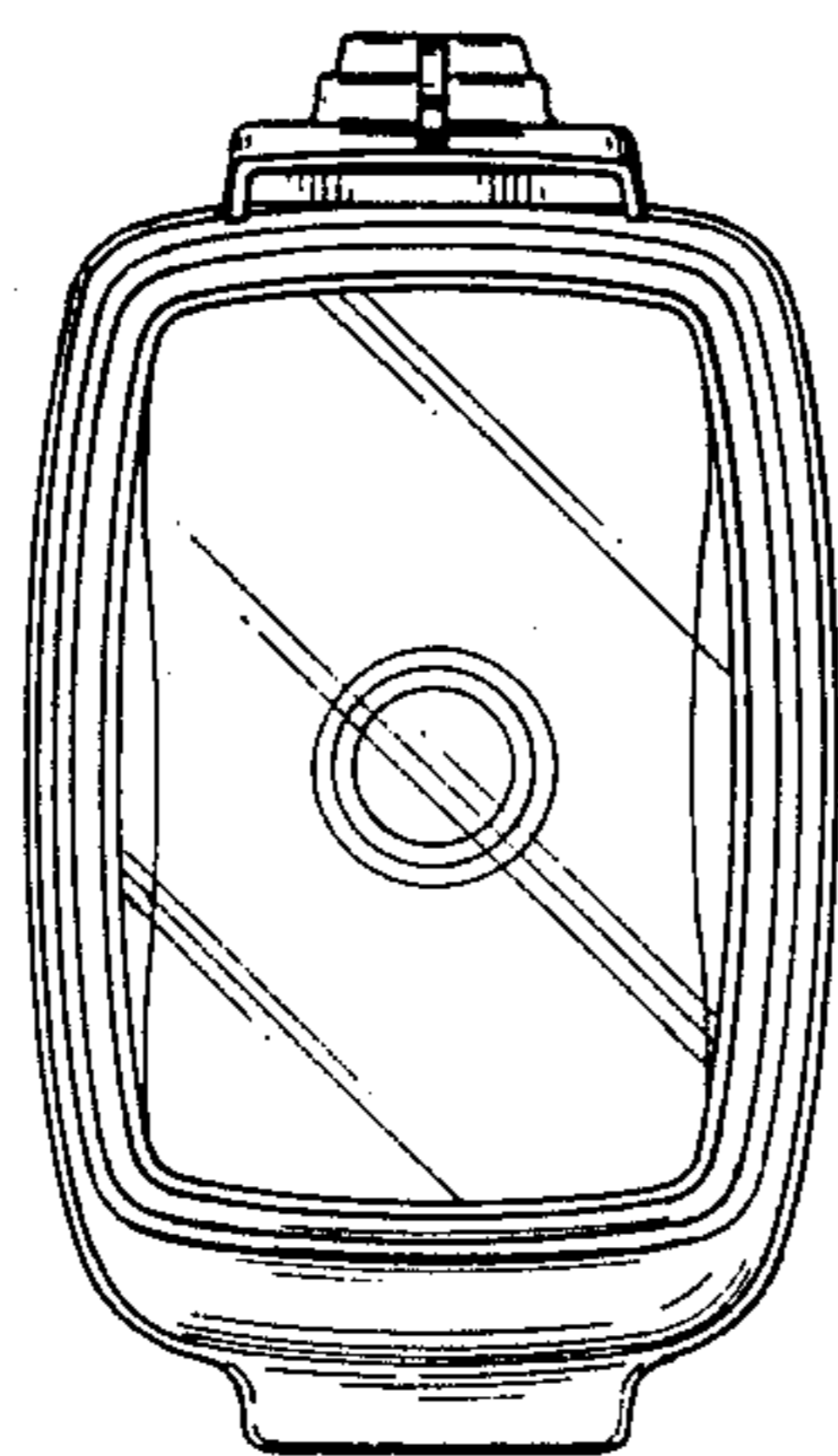


FIG. 3

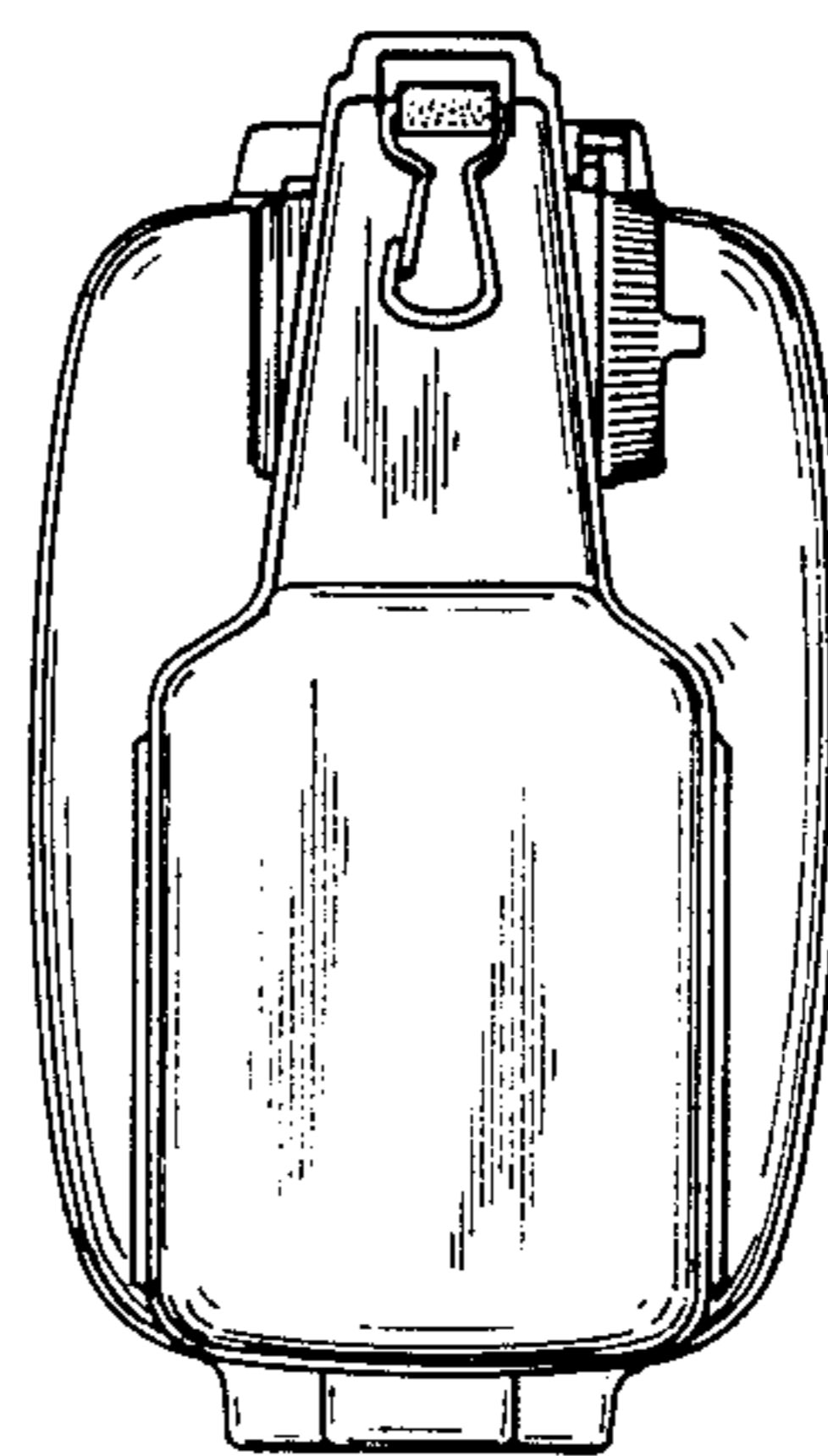


FIG. 4

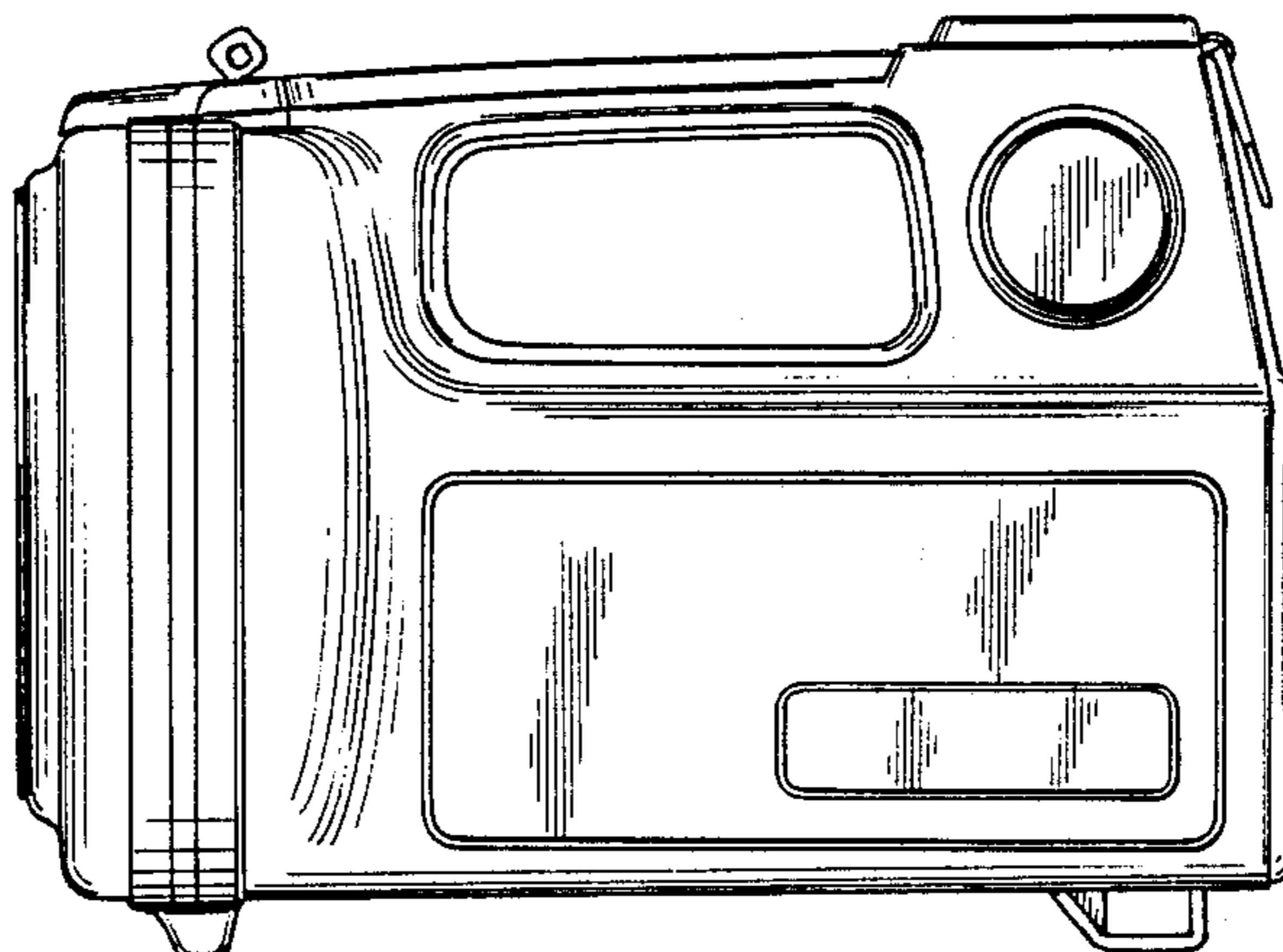


FIG. 5

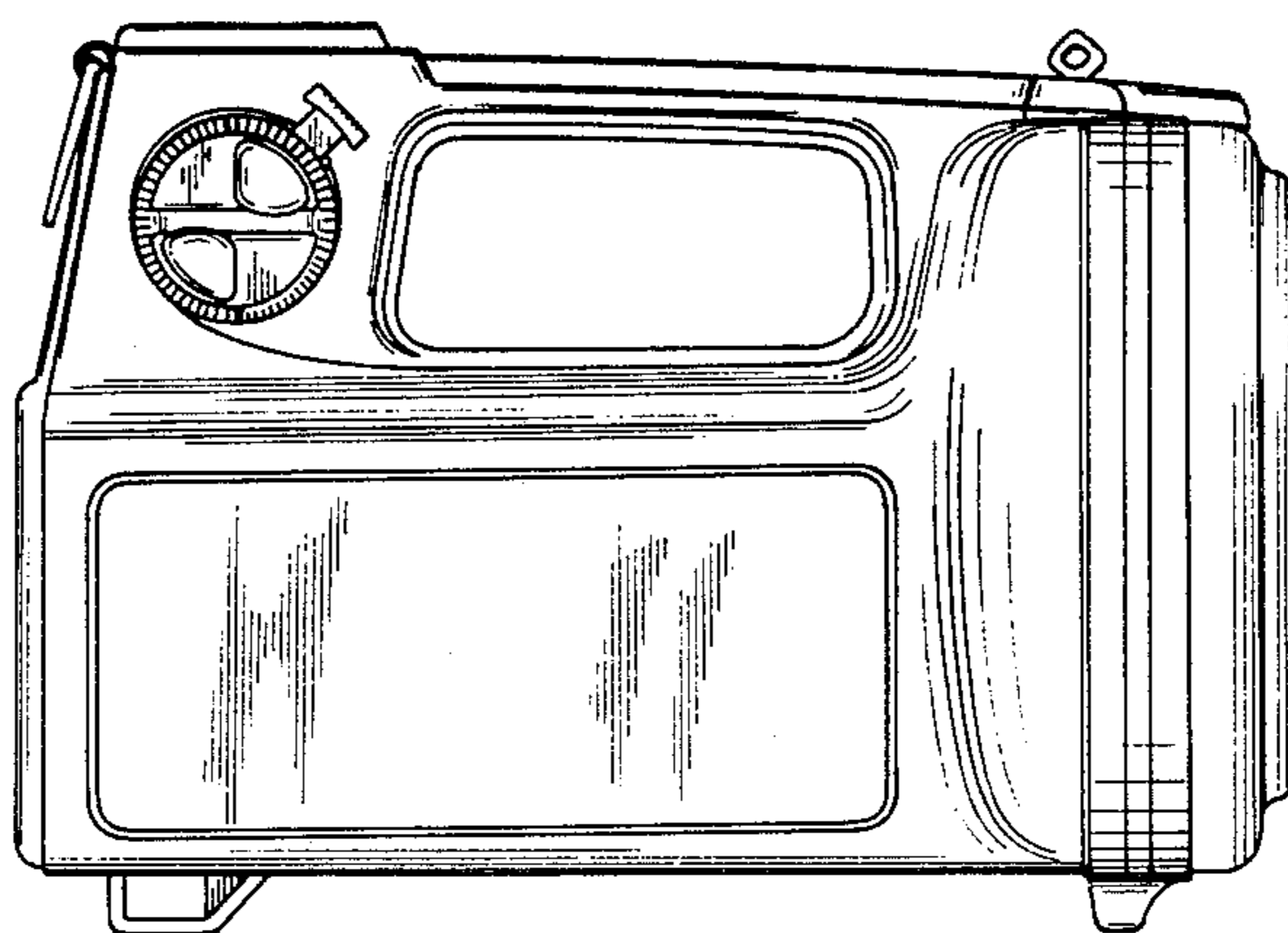


FIG. 6

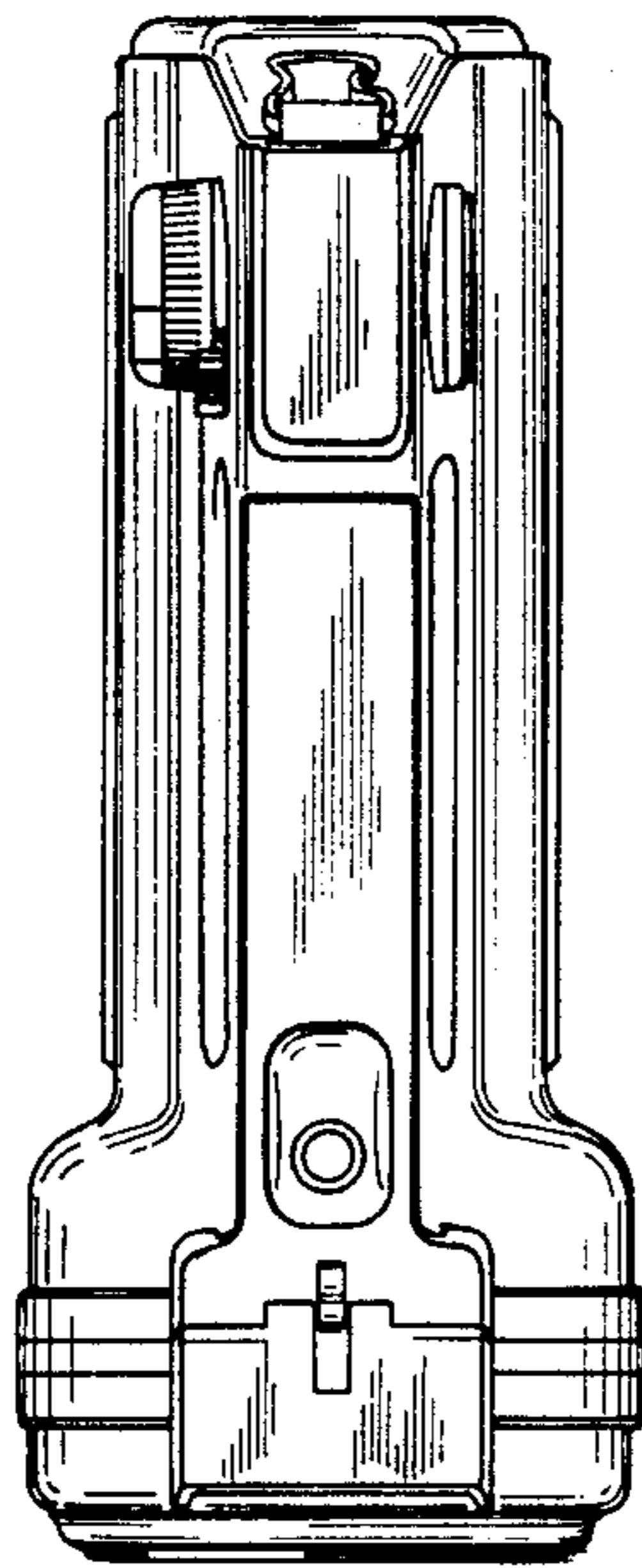


FIG. 7

