

[54] **LANTERN**

[75] **Inventor: Ronald Emmerling, New City, N.Y.**

[73] **Assignee: International Consumer Brands, Inc.,
Trumbull, Conn.**

[**] **Term: 14 Years**

[21] **Appl. No.: 111,822**

[22] **Filed: Oct. 23, 1987**

[52] **U.S. Cl. D26/46**

[58] **Field of Search D26/37-50;
362/157-158, 183-188, 189-197, 198-208**

[56] **References Cited**

U.S. PATENT DOCUMENTS

D. 251,149 2/1979 Zelina D26/42
D. 265,594 7/1982 Mann D26/37

D. 294,065 2/1988 Wan D26/38
D. 294,643 3/1988 Arita D26/48

Primary Examiner—Susan J. Lucas

Assistant Examiner—M. H. Tung

[57] **CLAIM**

The ornamental design for a lantern, as shown and described.

DESCRIPTION

FIG. 1 is a perspective view of a lantern showing my new design;

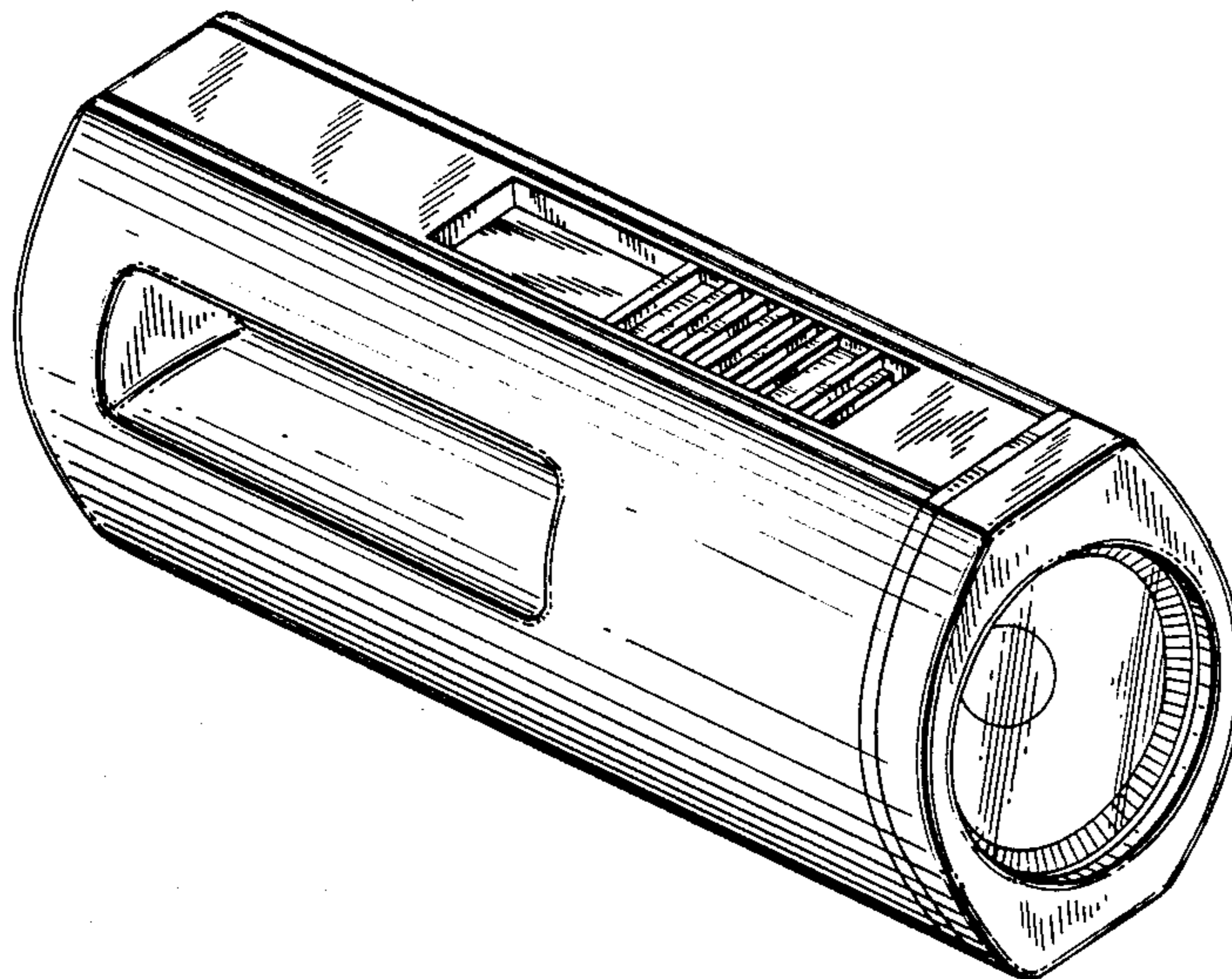
FIG. 2 is a top plan view thereof;

FIG. 3 is a front elevational view thereof;

FIG. 4 is a side elevational view thereof, the opposite side being a mirror image;

FIG. 5 is a rear elevational view thereof; and

FIG. 6 is a bottom plan view.



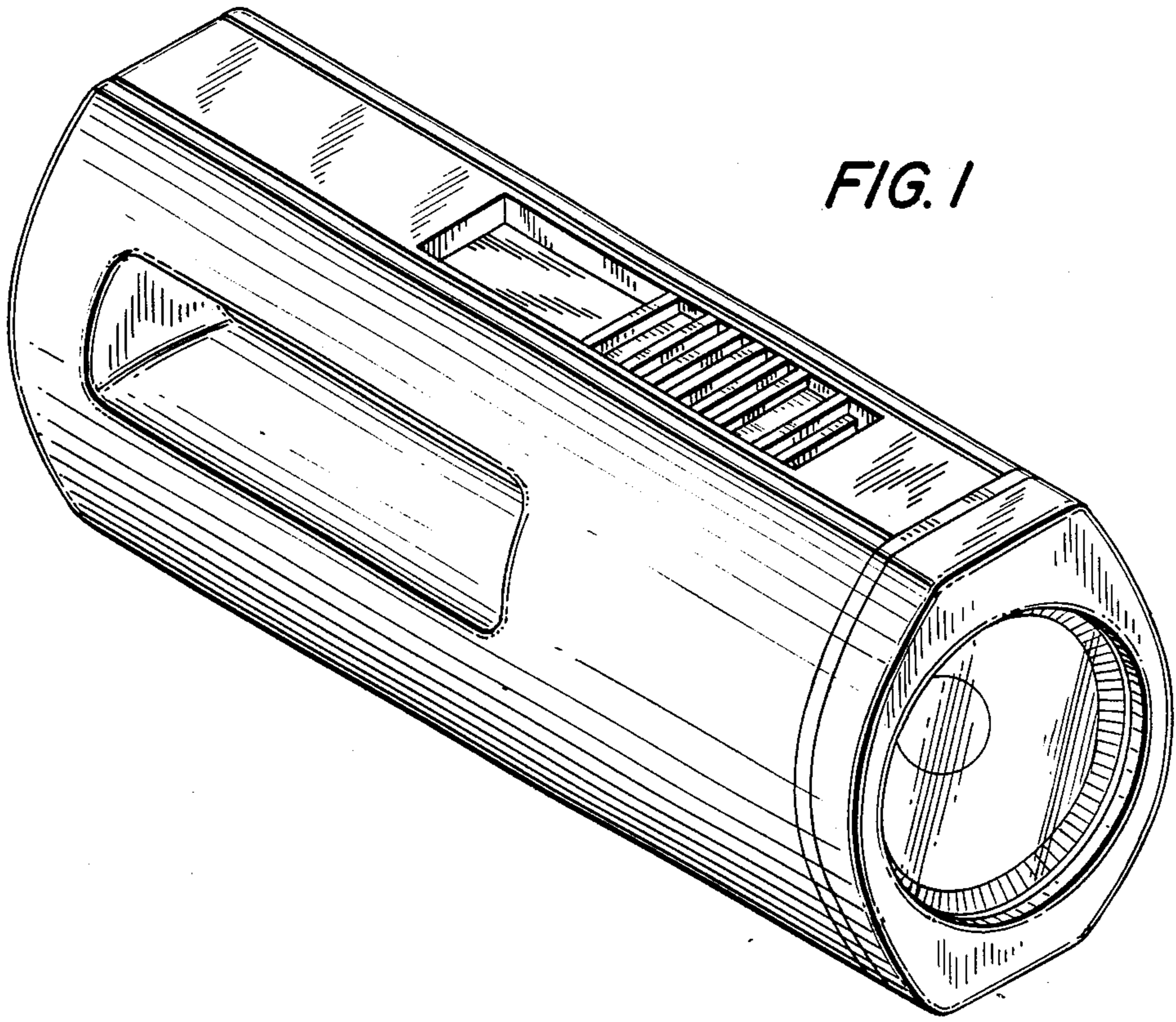


FIG. 1

FIG. 3

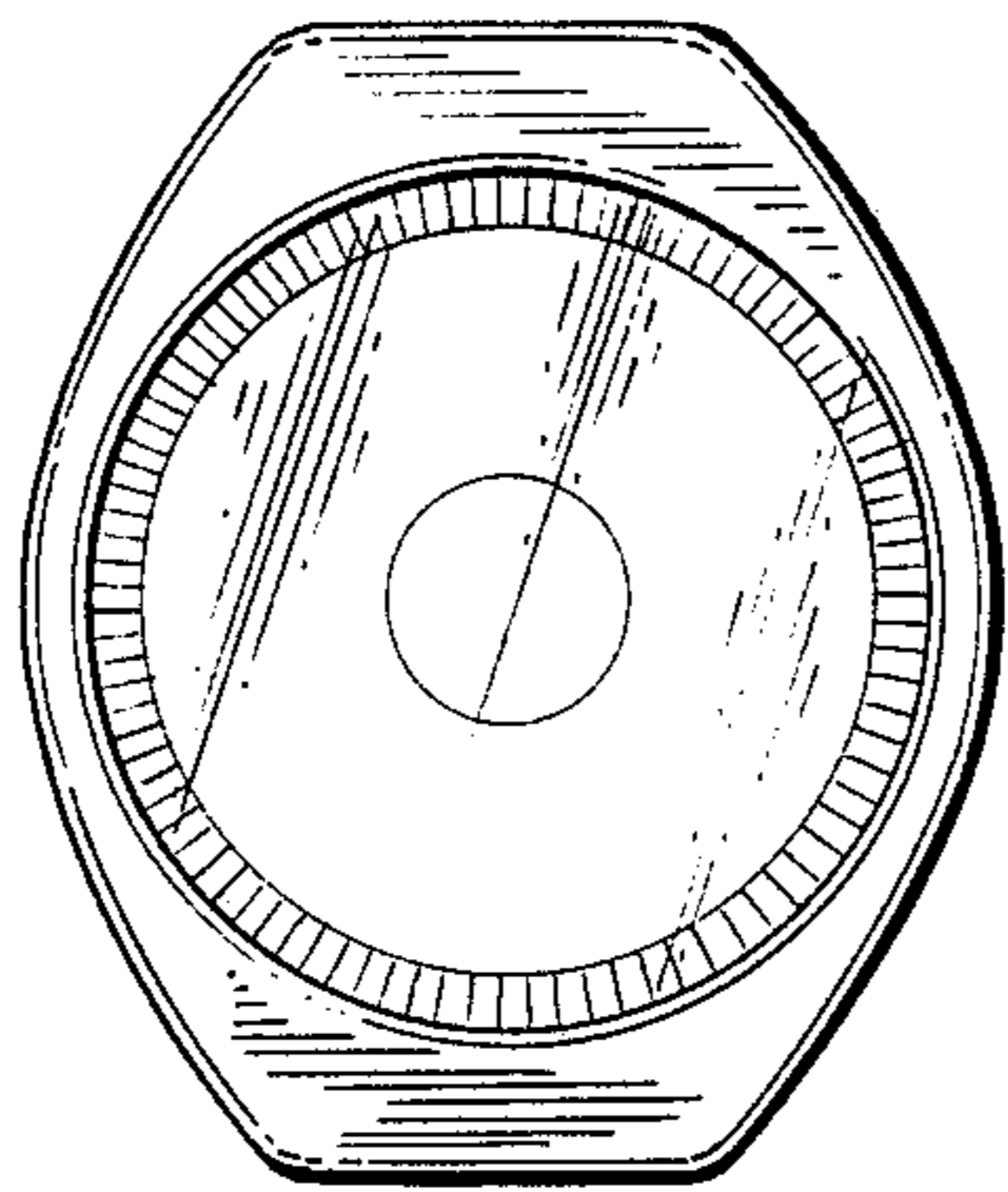


FIG. 2

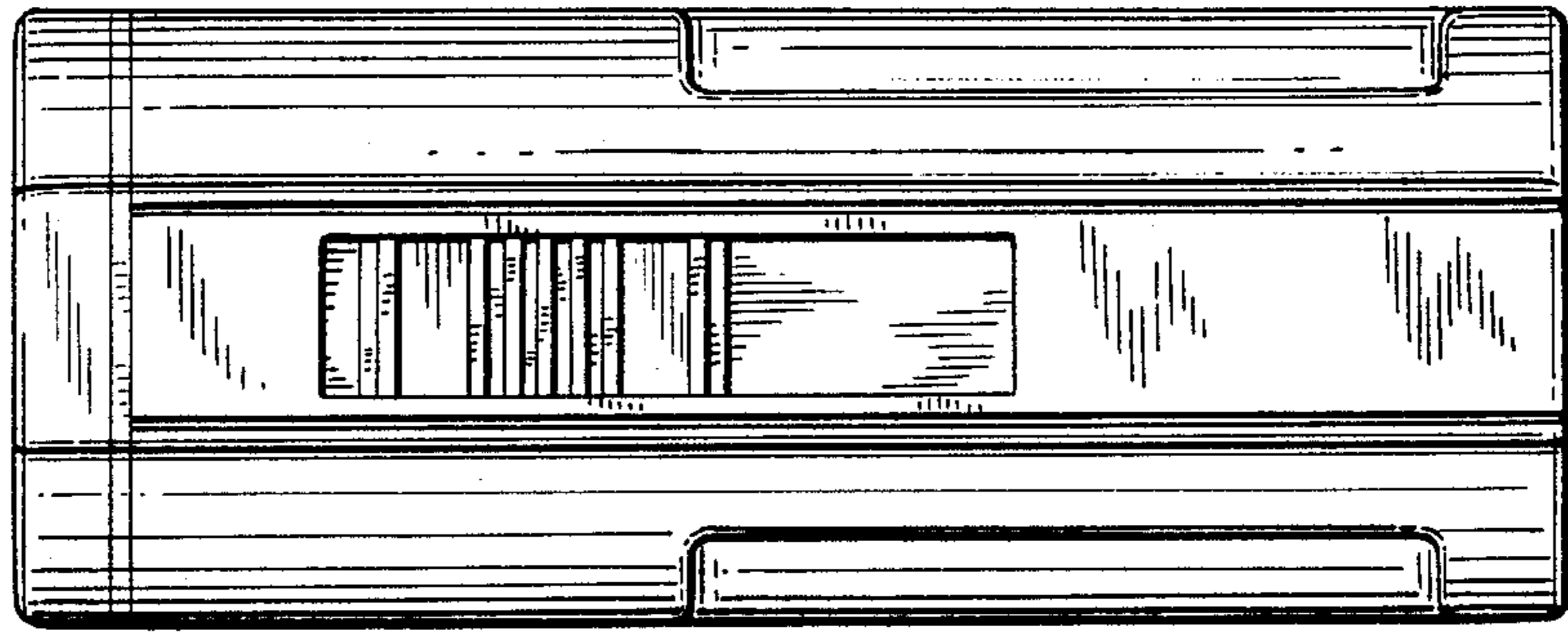


FIG. 4

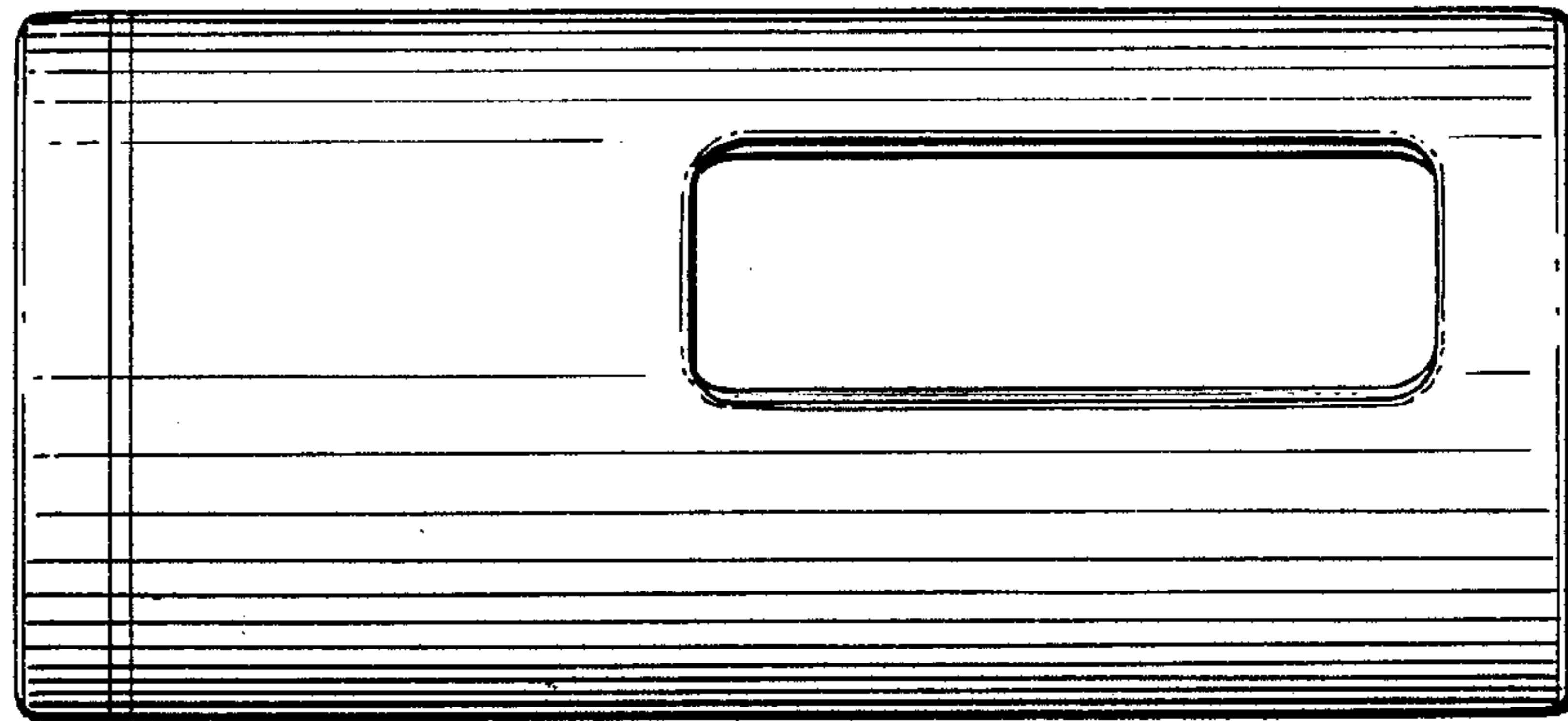


FIG. 5

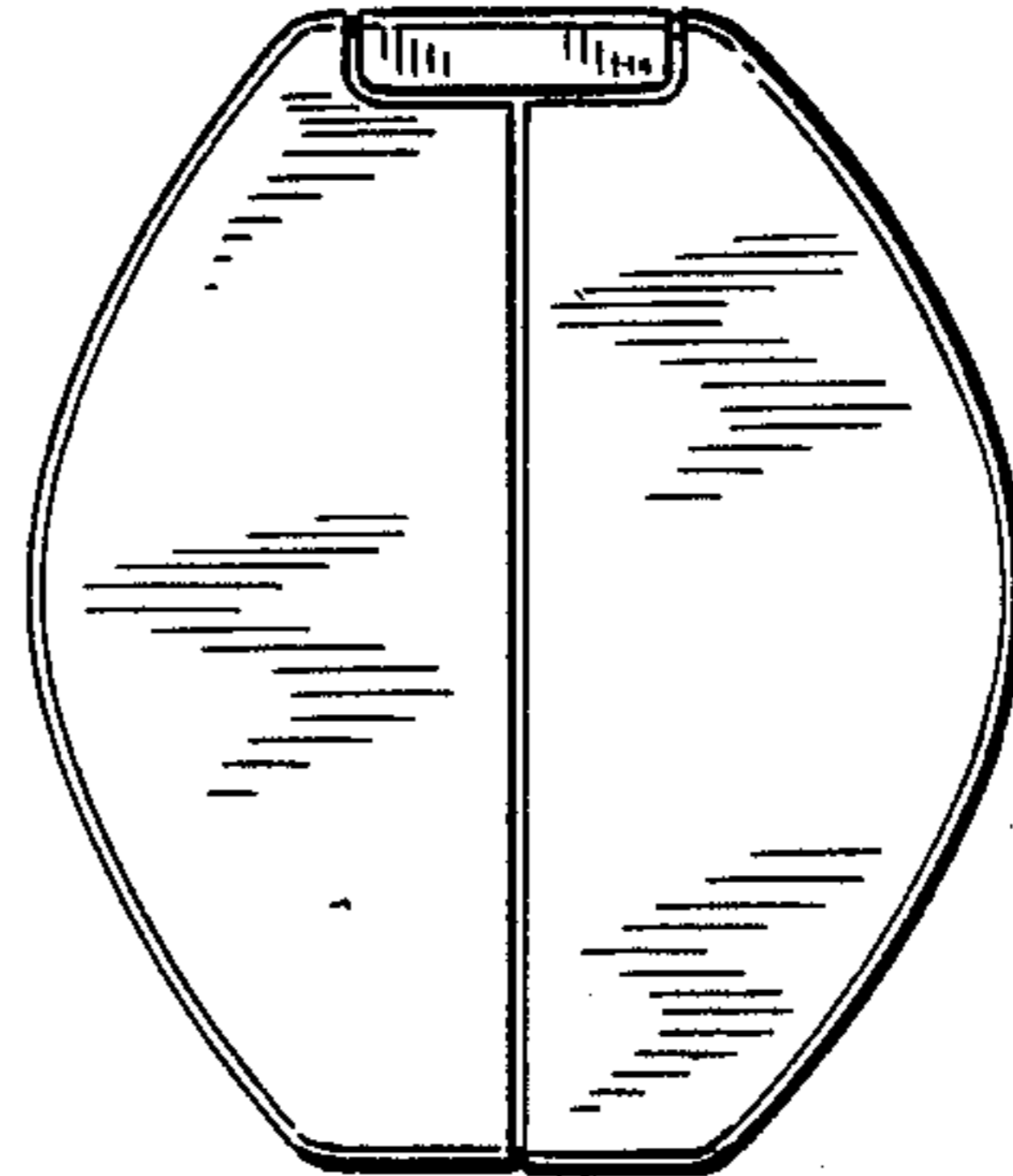


FIG. 6

