

[54] PERITONEAL DIALYSIS MACHINE

[75] Inventor: Francis D. Buckley, Freehold, N.J.

[73] Assignee: Delmed, Inc., Concord, Calif.

[**] Term: 14 Years

[21] Appl. No.: 101,336

[22] Filed: Sep. 25, 1987

[52] U.S. Cl. D24/8

[58] Field of Search D24/8, 17, 21; 604/29-31, 65.5, 175; 128/DIG. 13, 3; D10/46, 75, 86; 210/321.71

Brochure of Delmed, Inc., "CCPD—Continuous Cycling Peritoneal Dialysis", 5/85.

Photocopy of brochure of American McGaw, "MICROSTAR VC1", 1983.

Photocopy of brochure of Travenol, "Peritoneal Automated Cycler with X-Connector Set", 1983 (Travenol Laboratories, Inc.).

Primary Examiner—A. Hugo Word

Assistant Examiner—Stella M. Reid

Attorney, Agent, or Firm—Panitch Schwarze Jacobs & Nadel

[57] CLAIM

The ornamental design for a peritoneal dialysis machine, as shown and described.

[56] References Cited

U.S. PATENT DOCUMENTS

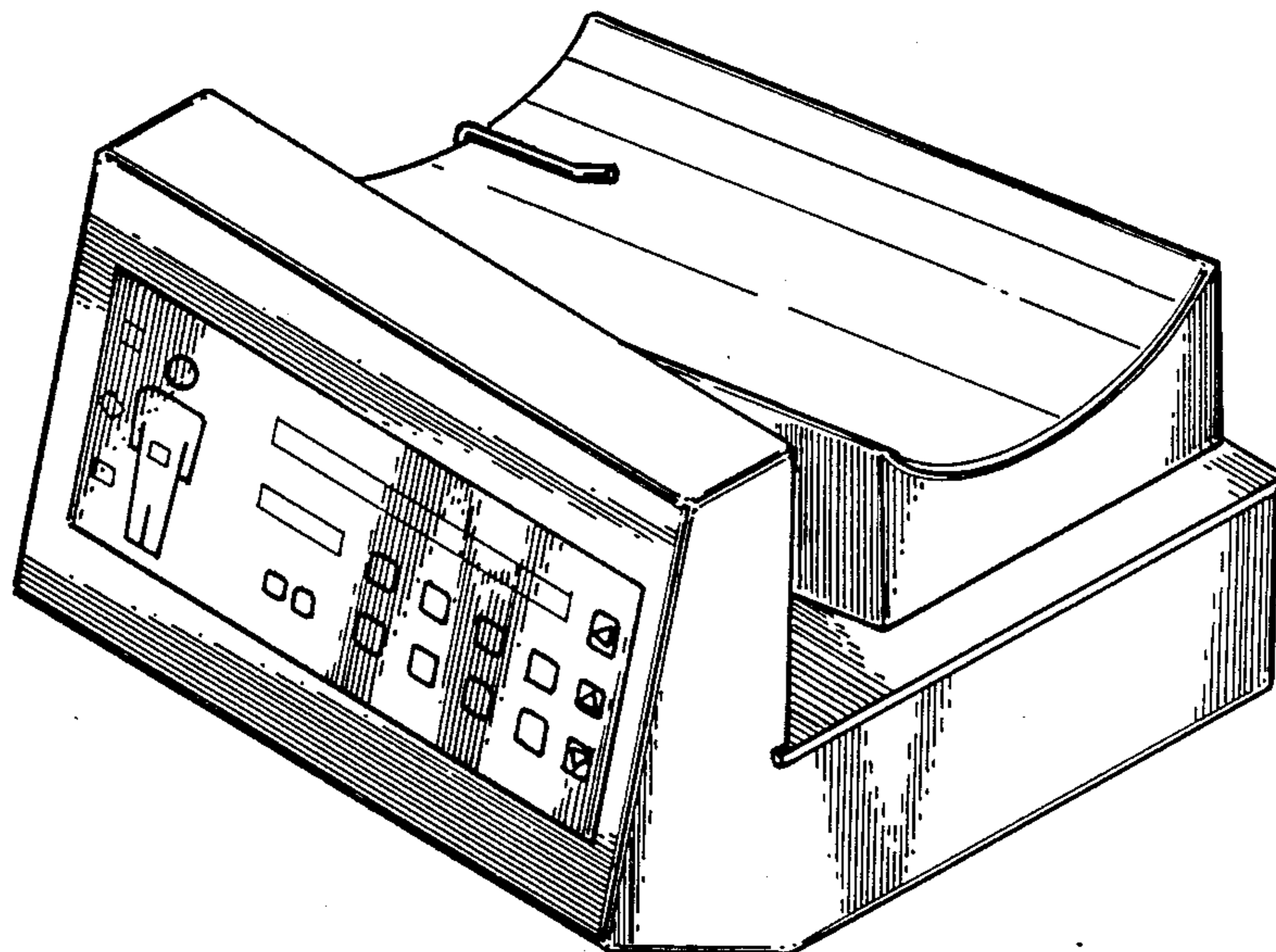
- D. 240,559 7/1976 Kawaguchi D24/8
- 4,381,003 4/1983 Buoncristiani 128/DIG. 3
- 4,585,436 4/1986 Davis et al. 604/29

OTHER PUBLICATIONS

Brochure of Delmed Dialysis Group, "Peritoneal Dialysis 80/2 Cycler System", 4/84.

DESCRIPTION

- FIG. 1 is a perspective view of a peritoneal dialysis machine showing my new design;
- FIG. 2 is a front elevational view thereof;
- FIG. 3 is a rear elevational view thereof;
- FIG. 4 is a right side elevational view thereof;
- FIG. 5 is a left side elevational view thereof;
- FIG. 6 is a top plan view thereof; and
- FIG. 7 is a bottom plan view thereof.



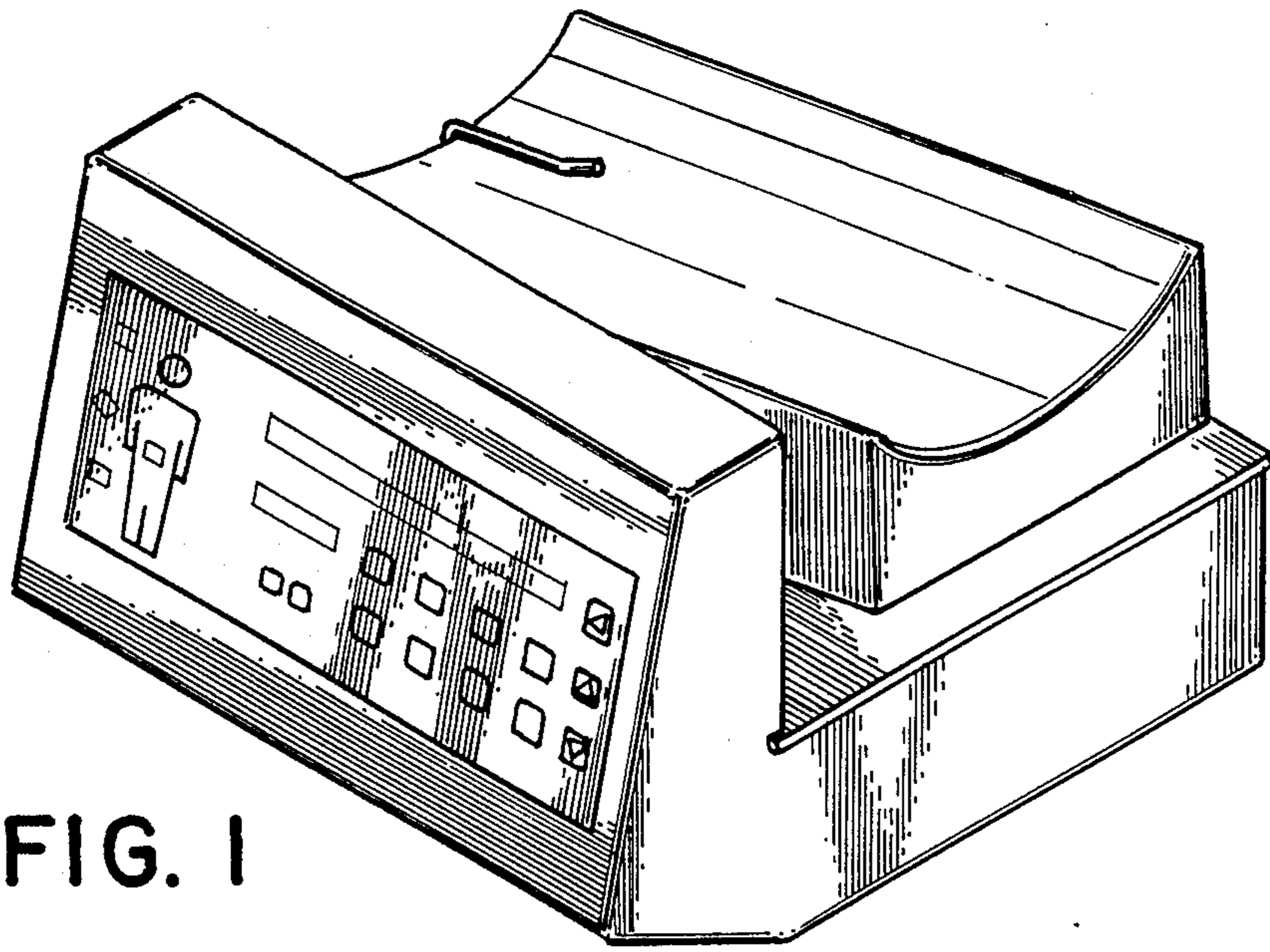


FIG. 1

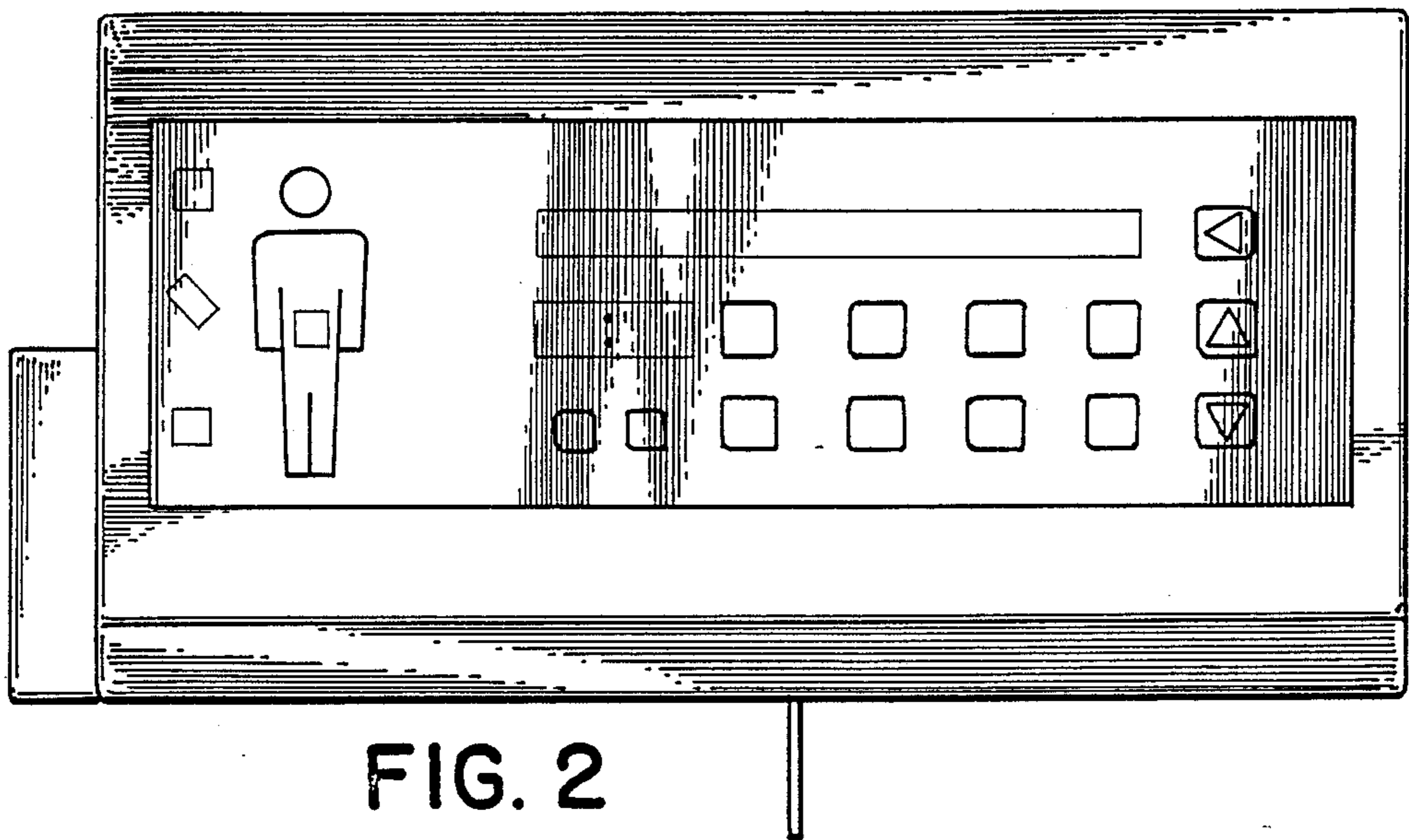


FIG. 2

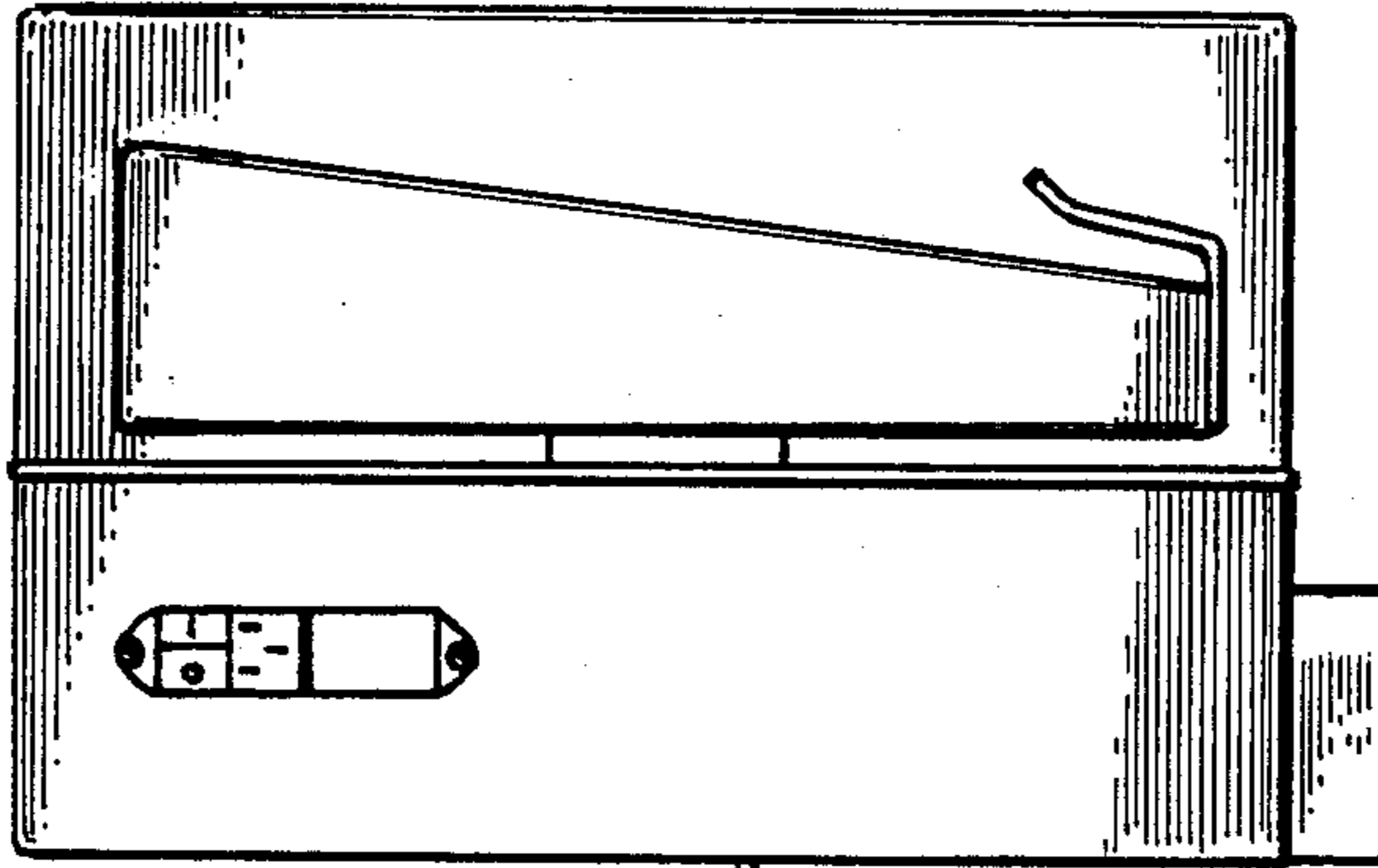


FIG. 3

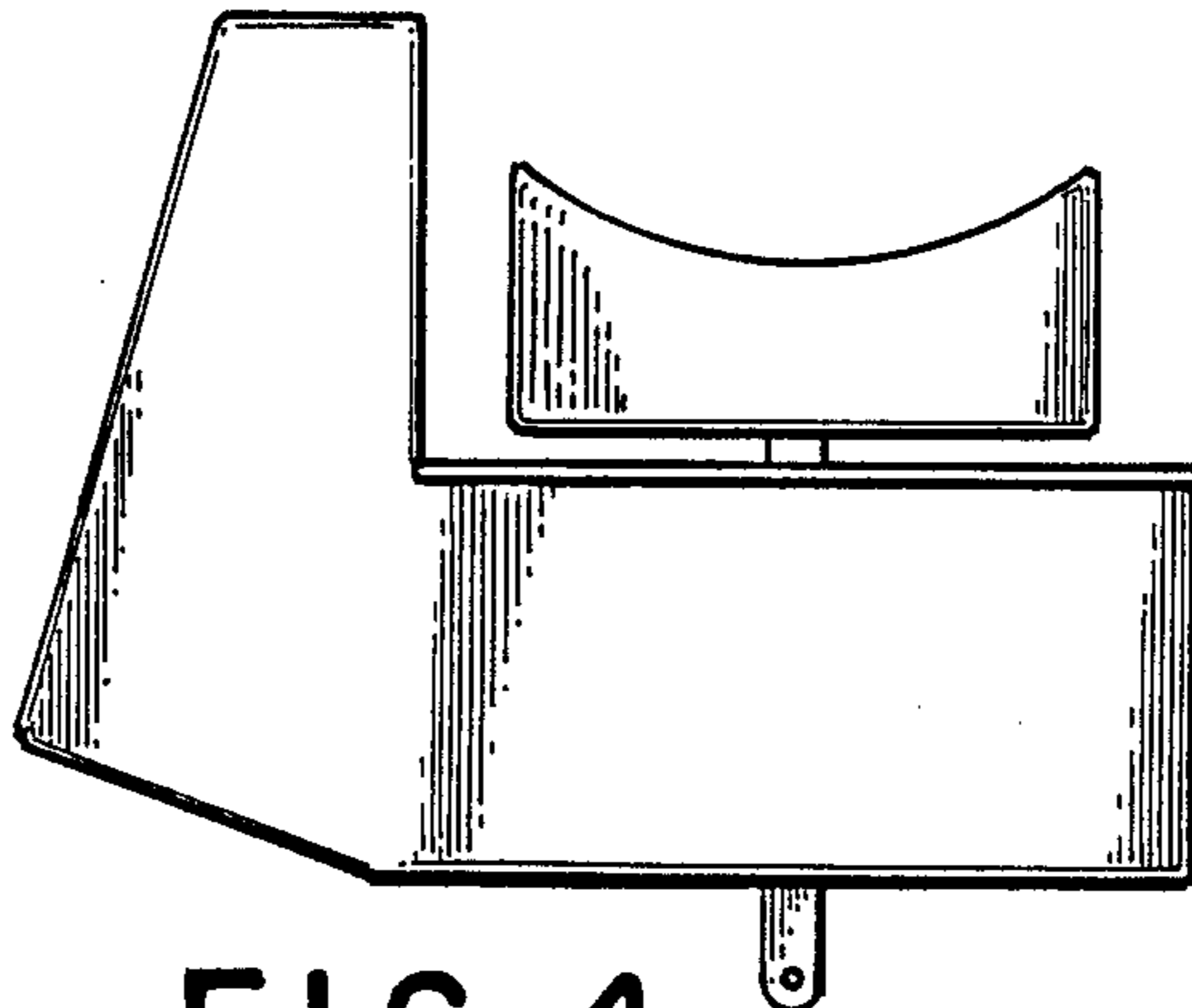


FIG. 4

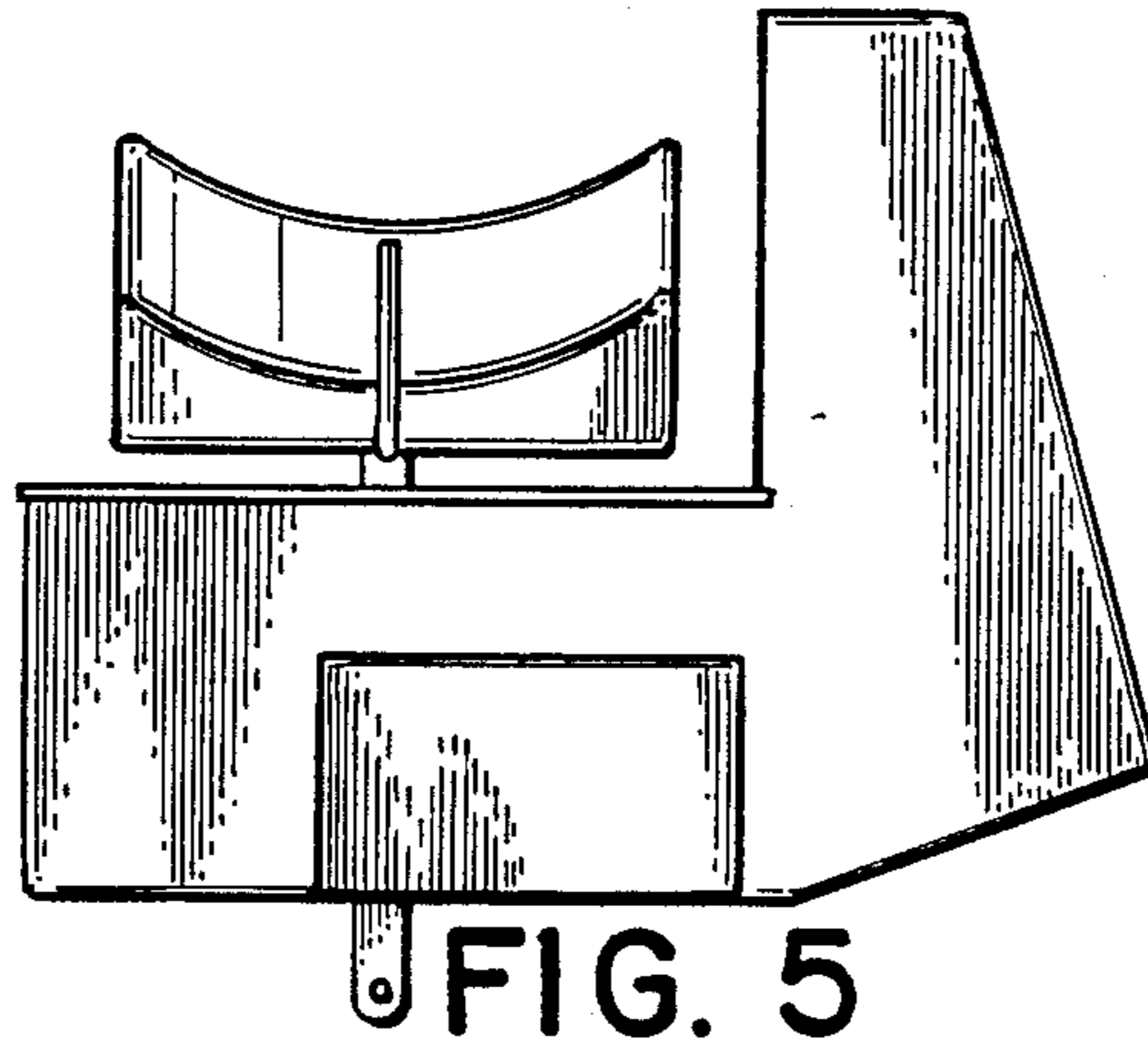


FIG. 5

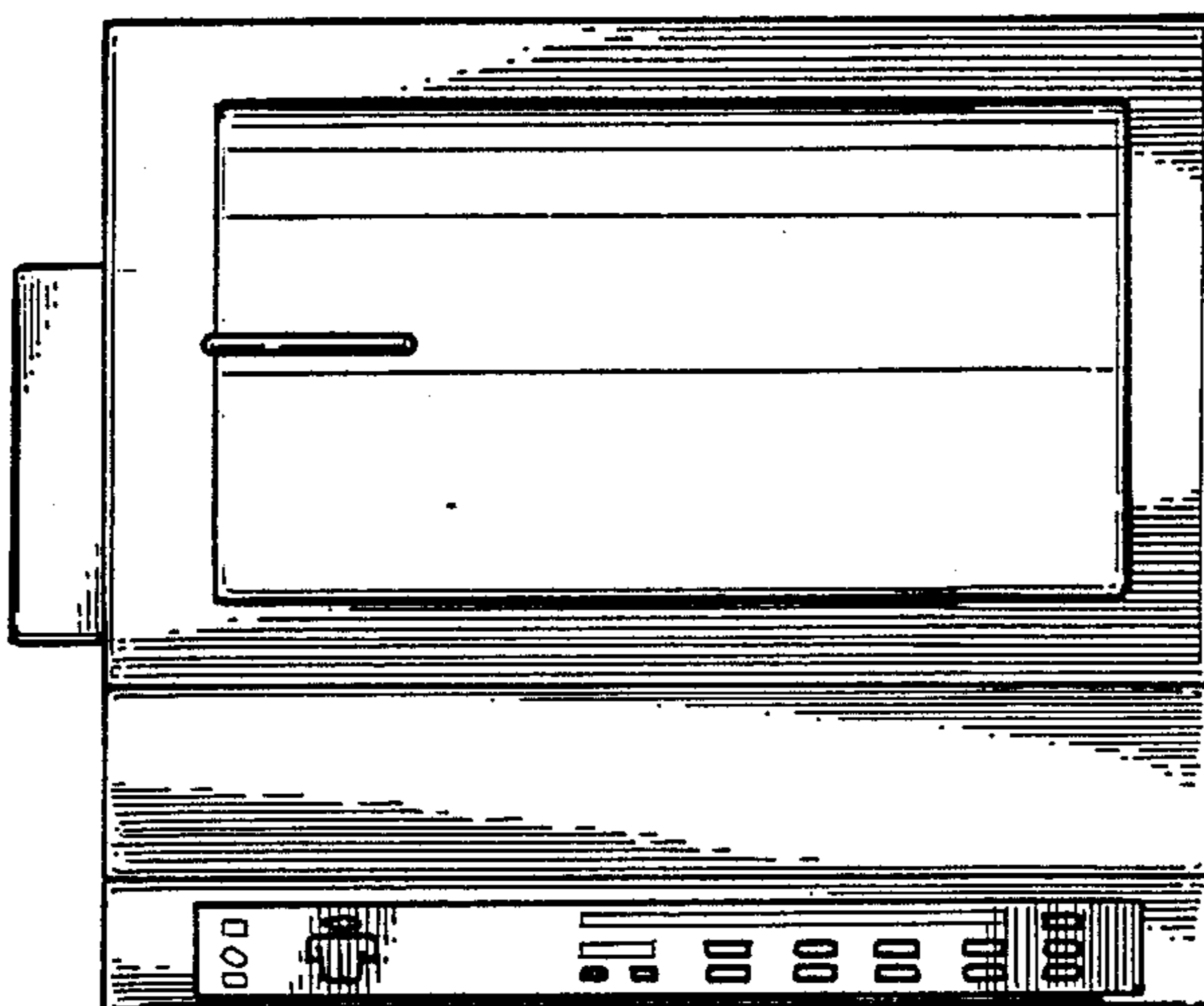


FIG. 6

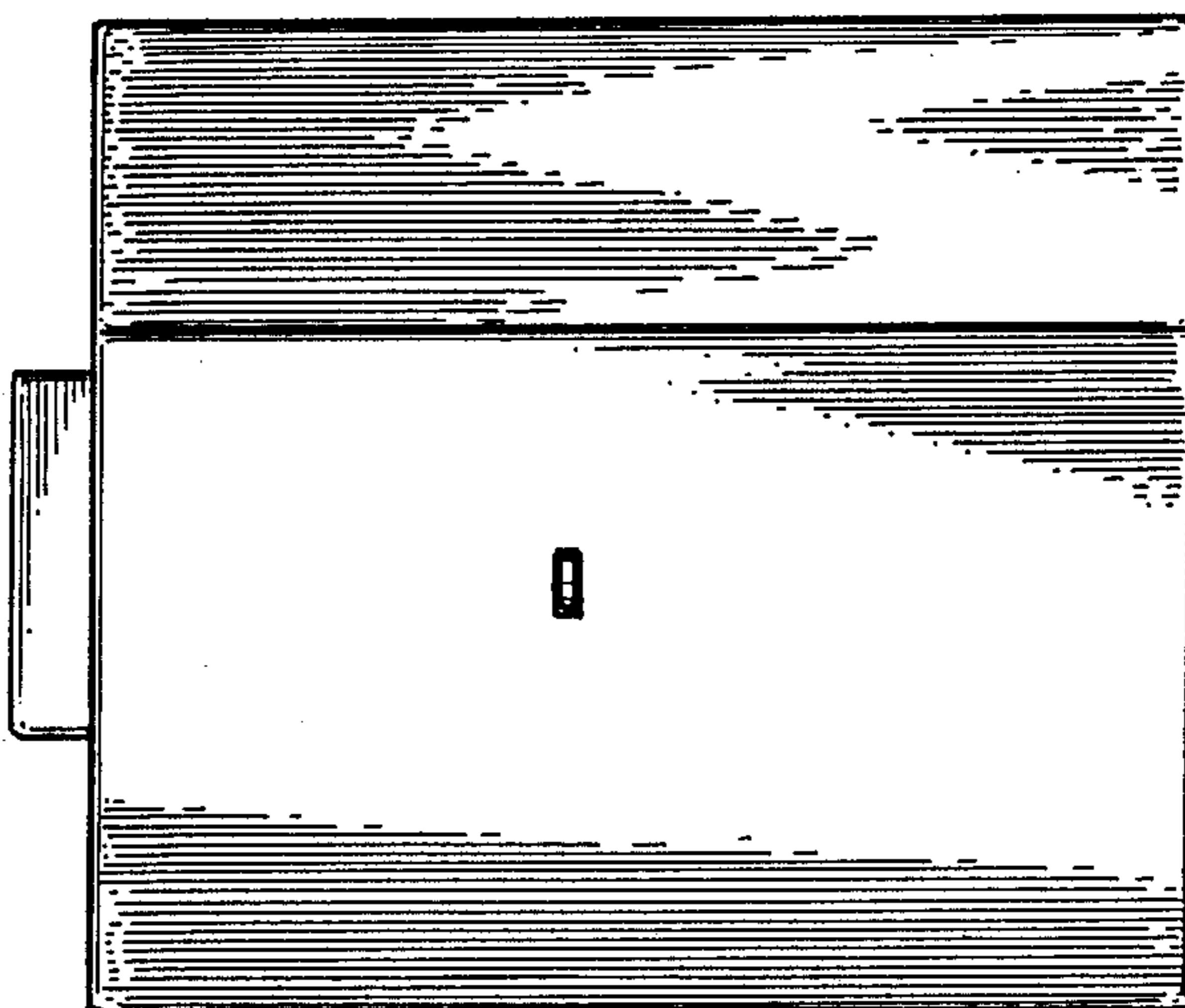


FIG. 7