

[54] FIREPLACE INSERT FOR HOLDING MATERIAL TO BE BURNED

[75] Inventor: Frank J. Koch, Ogdensburg, N.Y.

[73] Assignee: Linda Koch Beamish, Ontario, Canada

[**] Term: 14 Years

[21] Appl. No.: 252,445

[22] Filed: Oct. 3, 1988

[52] U.S. Cl. D23/401

[58] Field of Search D23/403, 344, 420, 398; D6/401, 484, 475; D7/37, 359; D9/430, 431; D11/155; D21/252; D34/40; 108/53.1, 91; 220/70; 206/511; 126/540, 555, 245

[56] References Cited

U.S. PATENT DOCUMENTS

| | | | |
|------------|---------|------------------|---------|
| D. 29,441 | 10/1898 | Dreyer | D23/420 |
| D. 68,523 | 10/1925 | Donley | D23/401 |
| D. 217,456 | 5/1970 | Wilkinson | D23/401 |
| D. 229,820 | 1/1974 | Mellow | D23/401 |
| D. 256,214 | 8/1980 | Boyd | D23/401 |
| D. 259,657 | 6/1981 | Metz et al. | D23/399 |
| D. 260,230 | 8/1981 | Hamilton | D23/401 |
| D. 263,165 | 2/1982 | Day | D23/420 |
| 38,902 | 6/1863 | Lawson | 126/243 |
| 53,497 | 3/1866 | Spear | 126/245 |
| 573,045 | 12/1896 | Snyder | D7/359 |
| 960,174 | 5/1910 | Higdon | 126/243 |
| 2,333,815 | 11/1943 | Petsel | 431/326 |

| | | | |
|-----------|--------|-----------------|---------|
| 2,751,880 | 6/1956 | Markowski | D11/155 |
| 3,030,735 | 4/1962 | Bodkins | D11/155 |
| 4,181,117 | 1/1980 | Hannebaum | 126/519 |

FOREIGN PATENT DOCUMENTS

| | | | |
|---------|---------|----------------------|---------|
| 120152 | 7/1945 | Australia . | |
| 1131653 | 10/1956 | France | D7/37 |
| 466053 | 5/1937 | United Kingdom | 126/540 |
| 699816 | 11/1953 | United Kingdom . | |

OTHER PUBLICATIONS

Hart catalogue '85, p. 19, Grates 480-24 and 480-27, left top side and top middle sides of page respectively.

Primary Examiner—James M. Gandy
Assistant Examiner—Lisa Lichtenstein
Attorney, Agent, or Firm—Burns, Doane, Swecker & Mathis

[57] CLAIM

The ornamental design for a fireplace insert for holding material to be burned, as shown and described.

DESCRIPTION

FIG. 1 is a top perspective view of a fireplace insert for holding material to be burned, showing my new design; FIG. 2 is a front elevation view thereof; FIG. 3 is a rear elevation view thereof; FIG. 4 is a side elevation view thereof, the opposite side being a mirror image of that shown; FIG. 5 is a top plan view thereof; and FIG. 6 is a bottom plan view thereof.

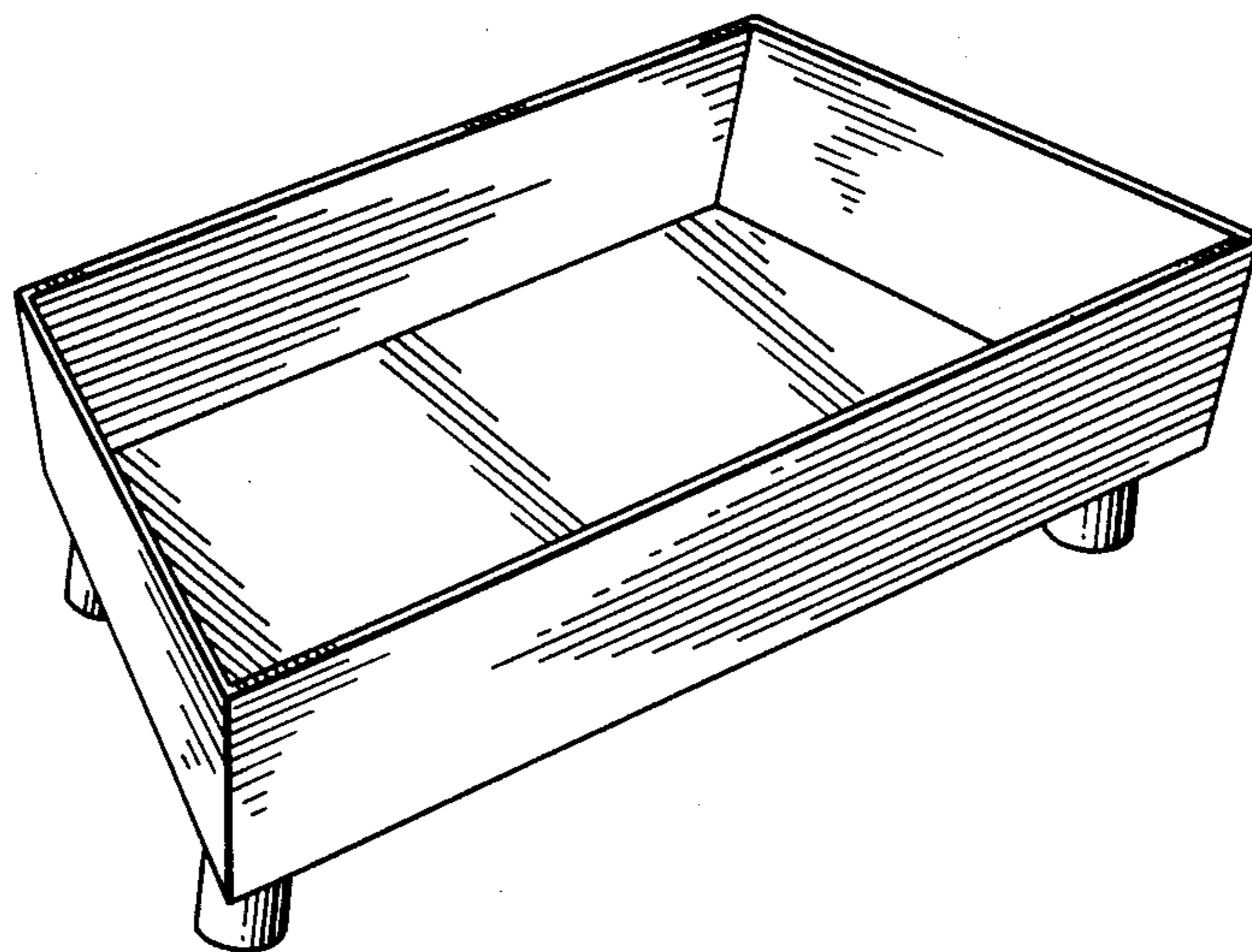


Fig. 1

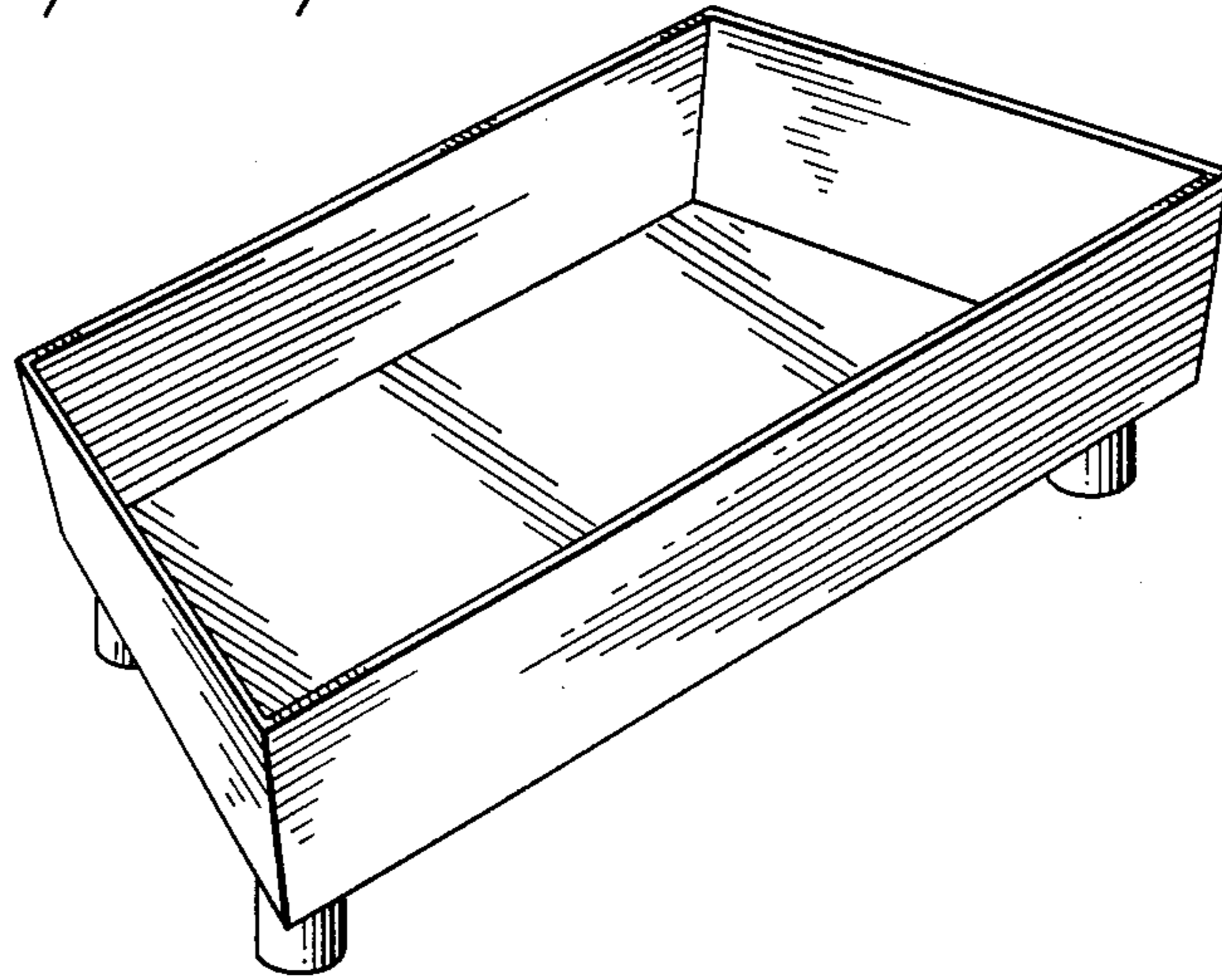


Fig. 2

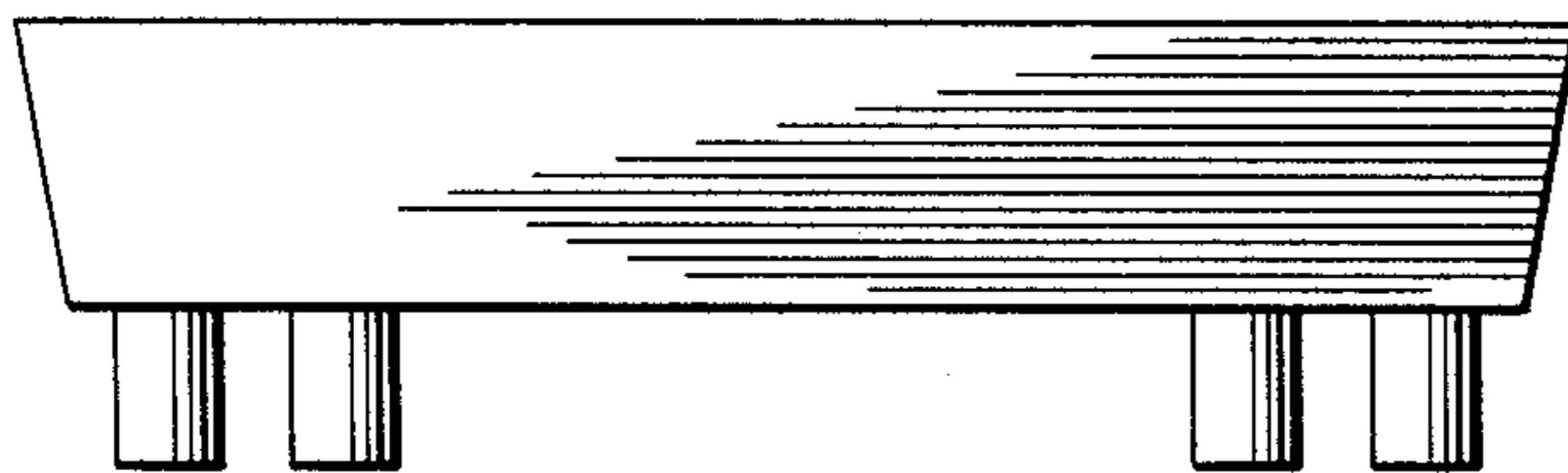


Fig. 3

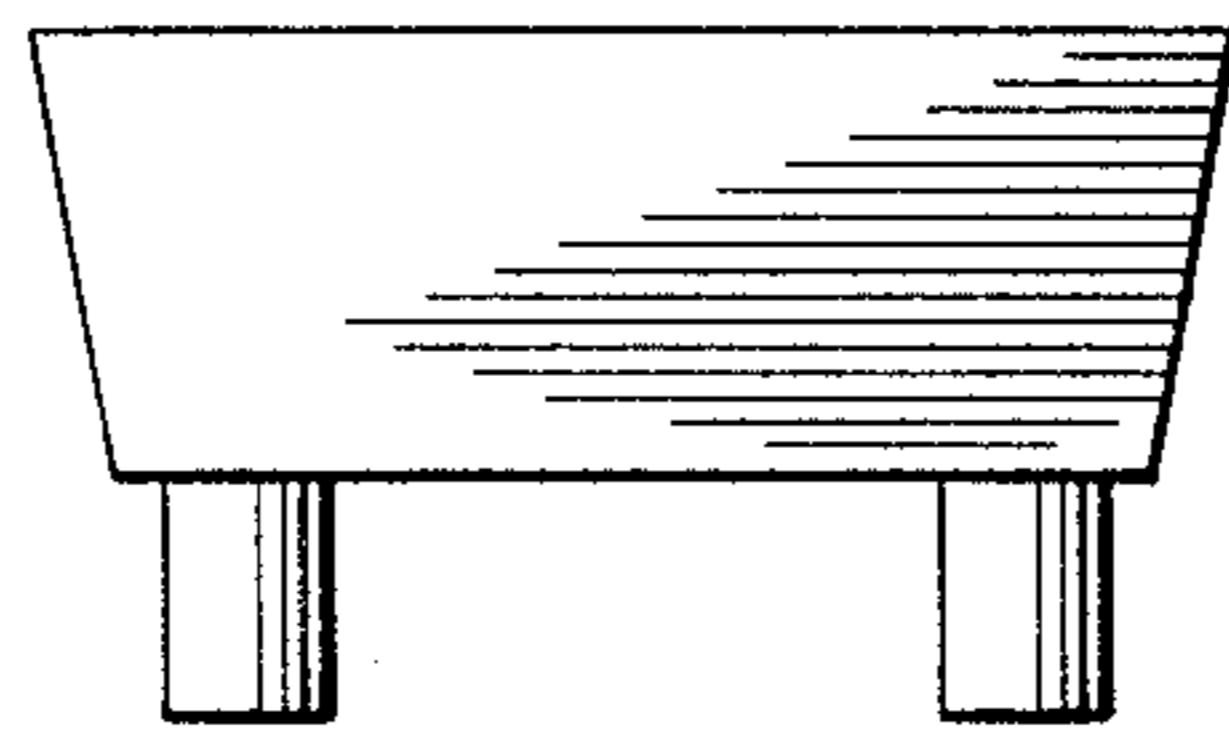
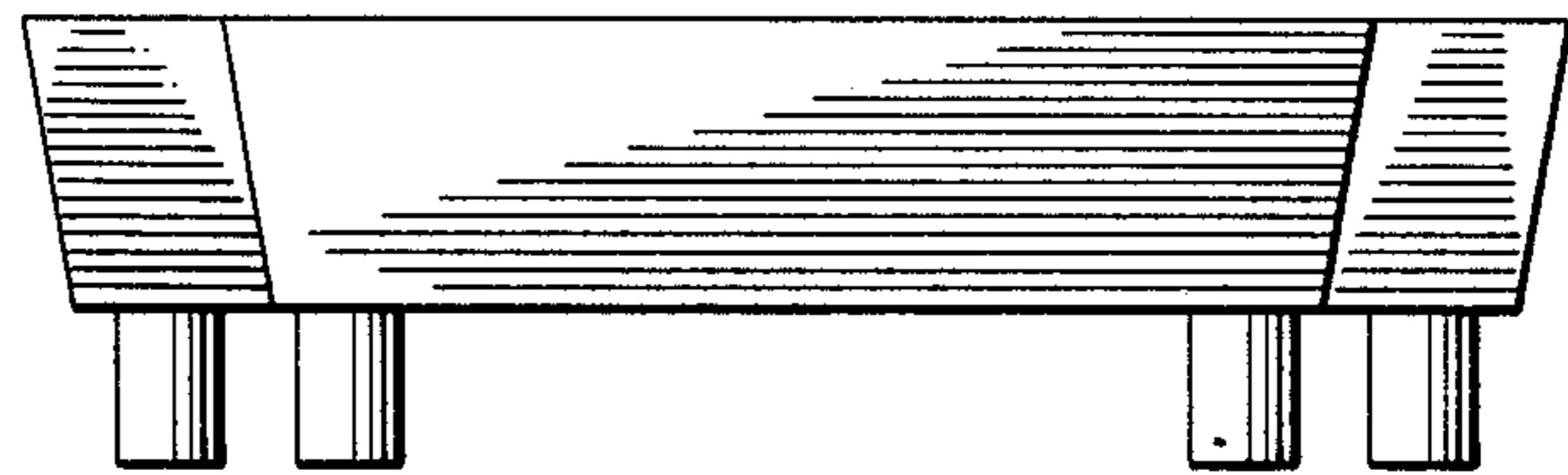


Fig. 4

FIG. 5

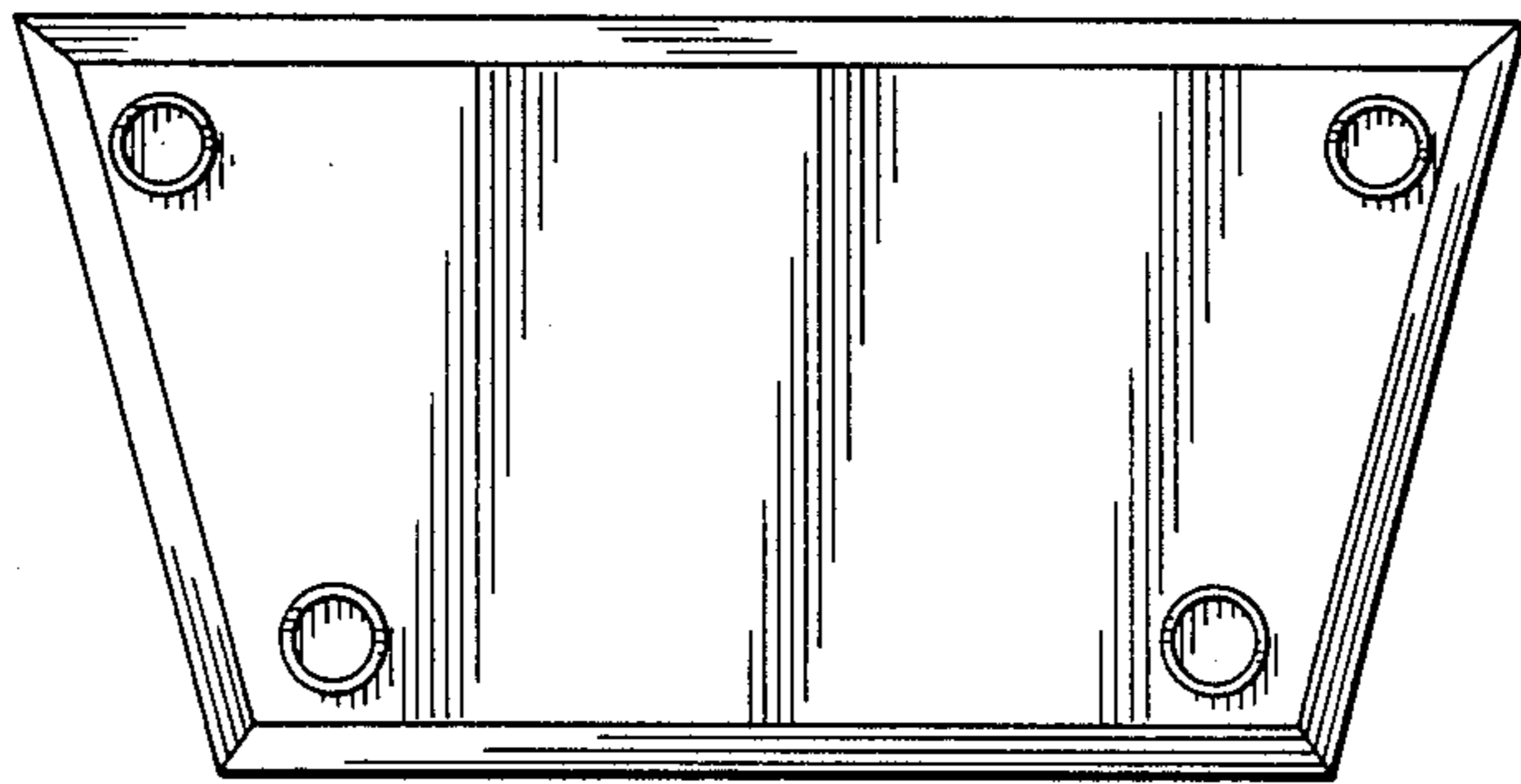
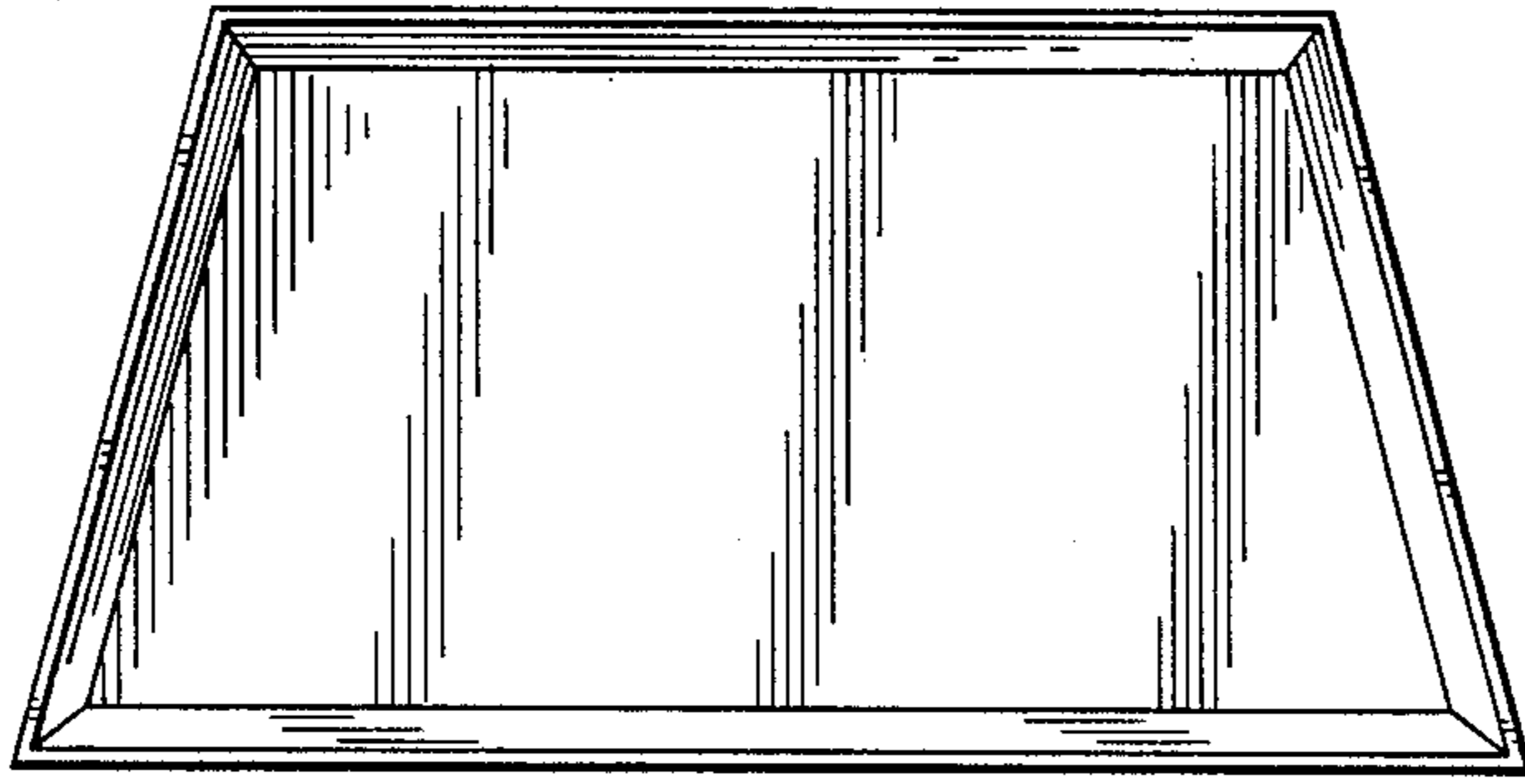


FIG. 6