

[54] WOOD AND COAL BURNING STOVE

4,683,868 8/1987 Ferguson et al. 126/555

[75] Inventors: Duncan C. Syme, Norwich; Vance R. Smith; Allan S. Wilker, both of Brookfield, all of Vt.

OTHER PUBLICATIONS

Vermont Castings Inc., Cast Iron Stoves brochure, p. 3, The Defiant Parlor Stove, p. 7, The Resolute Parlor Stove, p. 8, The Resolute Coal Stove, bottom right side of page.

[73] Assignee: Vermont Castings, Inc., Randolph, Vt.

Vermont Castings catalogue, p. 1, The Resolute, front cover, bottom right side of page.

[**] Term: 14 Years

Primary Examiner—James M. Gandy

[21] Appl. No.: 172,127

Assistant Examiner—Lisa Lichtenstein

[22] Filed: Mar. 23, 1988

Attorney, Agent, or Firm—Wolf, Greenfield & Sacks

[52] U.S. Cl. D23/346

[58] Field of Search D23/350, 386, 346, 343; 126/66, 67, 77, 76, 555

[57] CLAIM

The ornamental design for a wood and coal burning stove, as shown.

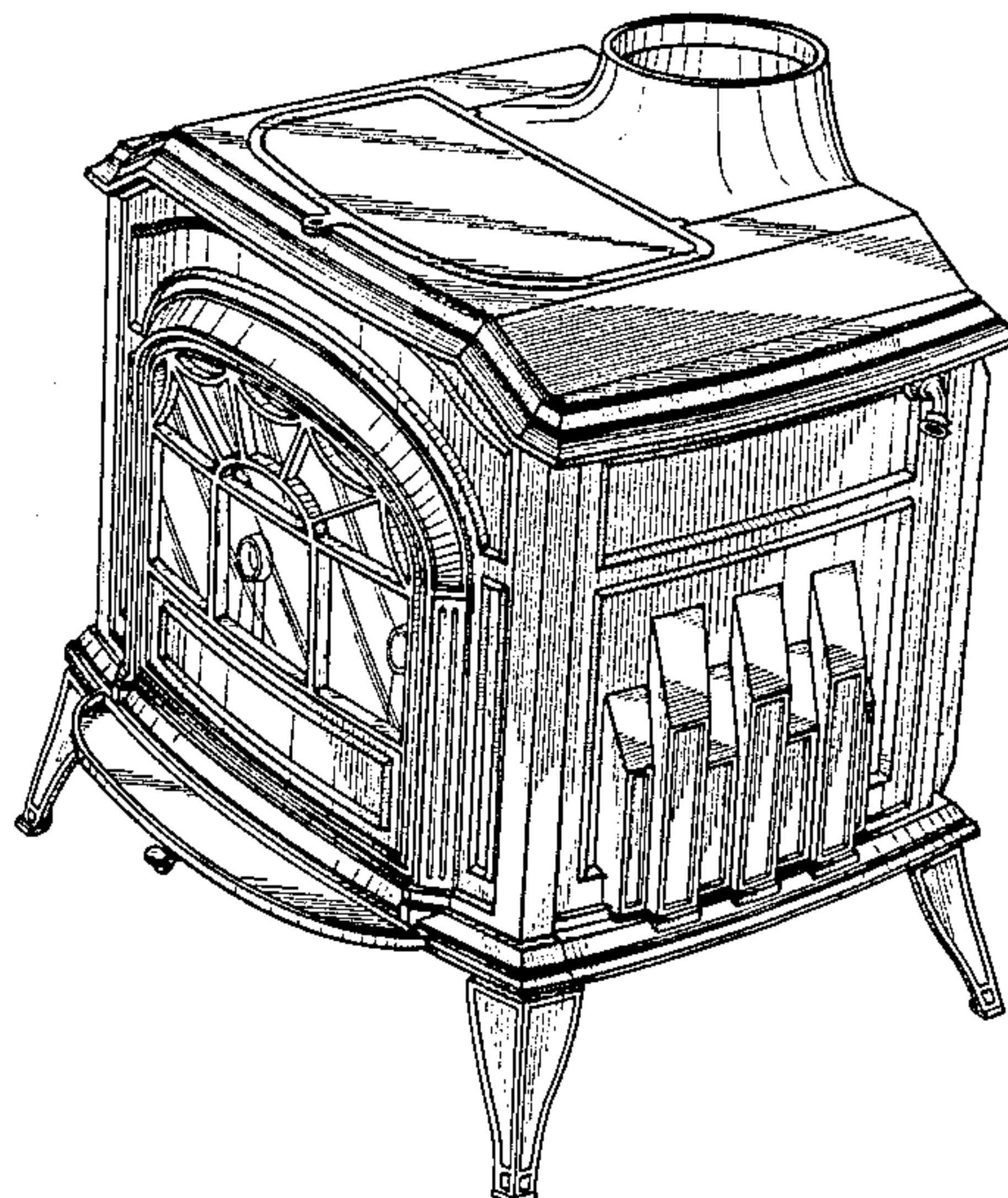
[56] References Cited

U.S. PATENT DOCUMENTS

D. 250,203	11/1978	Syme	D23/343
D. 260,032	7/1981	Syme	D23/350
D. 260,033	7/1981	Syme	D23/386
D. 260,034	7/1981	Syme	D23/386
D. 260,284	8/1981	Syme	D23/386
D. 260,285	8/1981	Syme	D23/386
D. 260,286	8/1981	Syme	D23/386
D. 262,398	12/1981	Syme	D23/386
D. 275,878	10/1984	Syme et al.	D23/350
D. 286,812	11/1986	Rennels	D23/346
D. 300,354	3/1989	Syme et al.	D23/346
D. 301,059	5/1989	Syme et al.	D23/346

DESCRIPTION

FIG. 1 is a front perspective view of a wood and coal burning stove, showing our new design with the door in closed condition; FIG. 2 is a front elevation view thereof; FIG. 3 is a top plan view thereof; FIG. 4 is a left side elevation view thereof; FIG. 5 is a right side elevation view thereof; FIG. 6 is a rear elevation view thereof; FIG. 7 is a bottom plan view thereof; and FIG. 8 is a front elevation view thereof with the door removed.



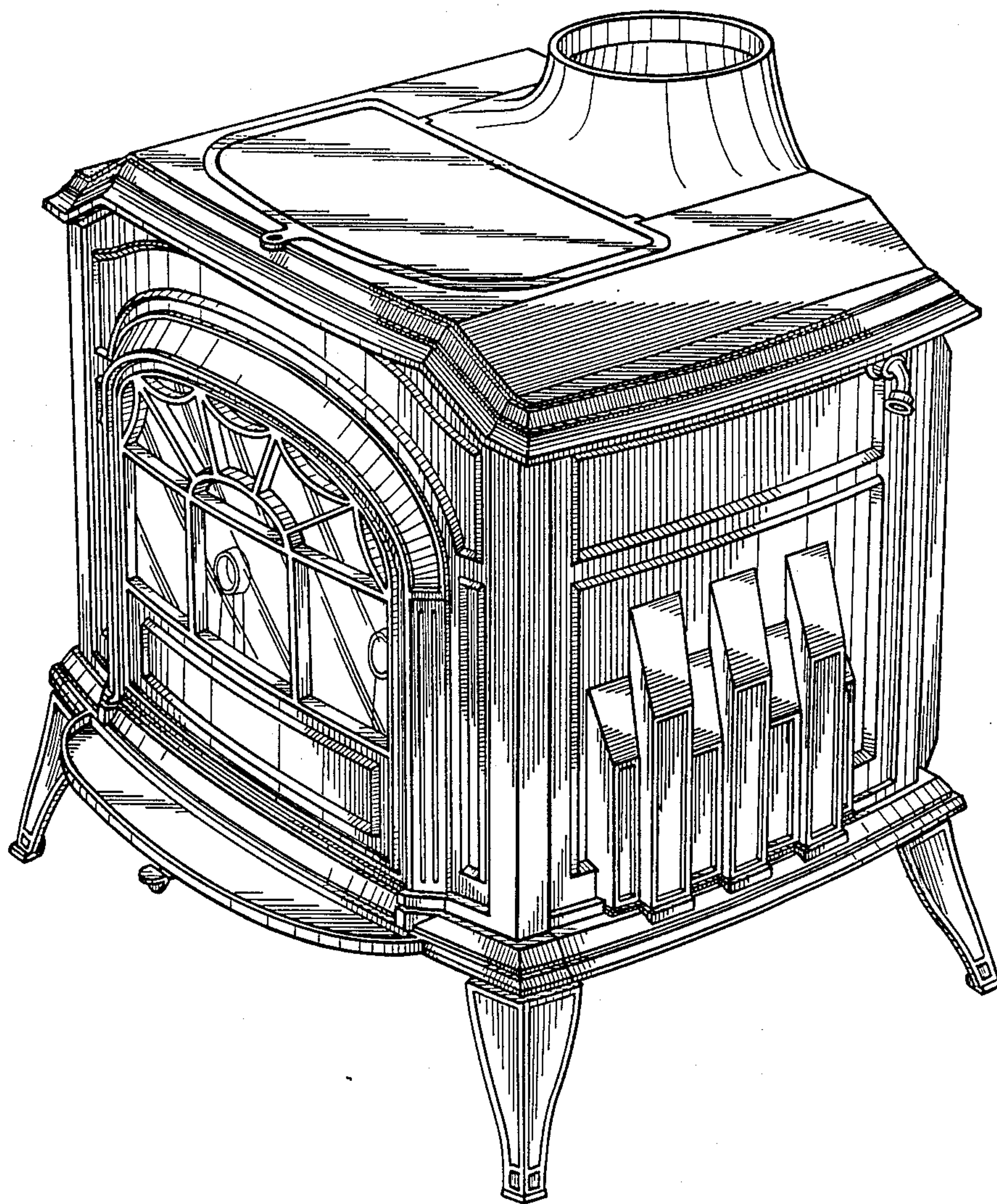


Fig. 1

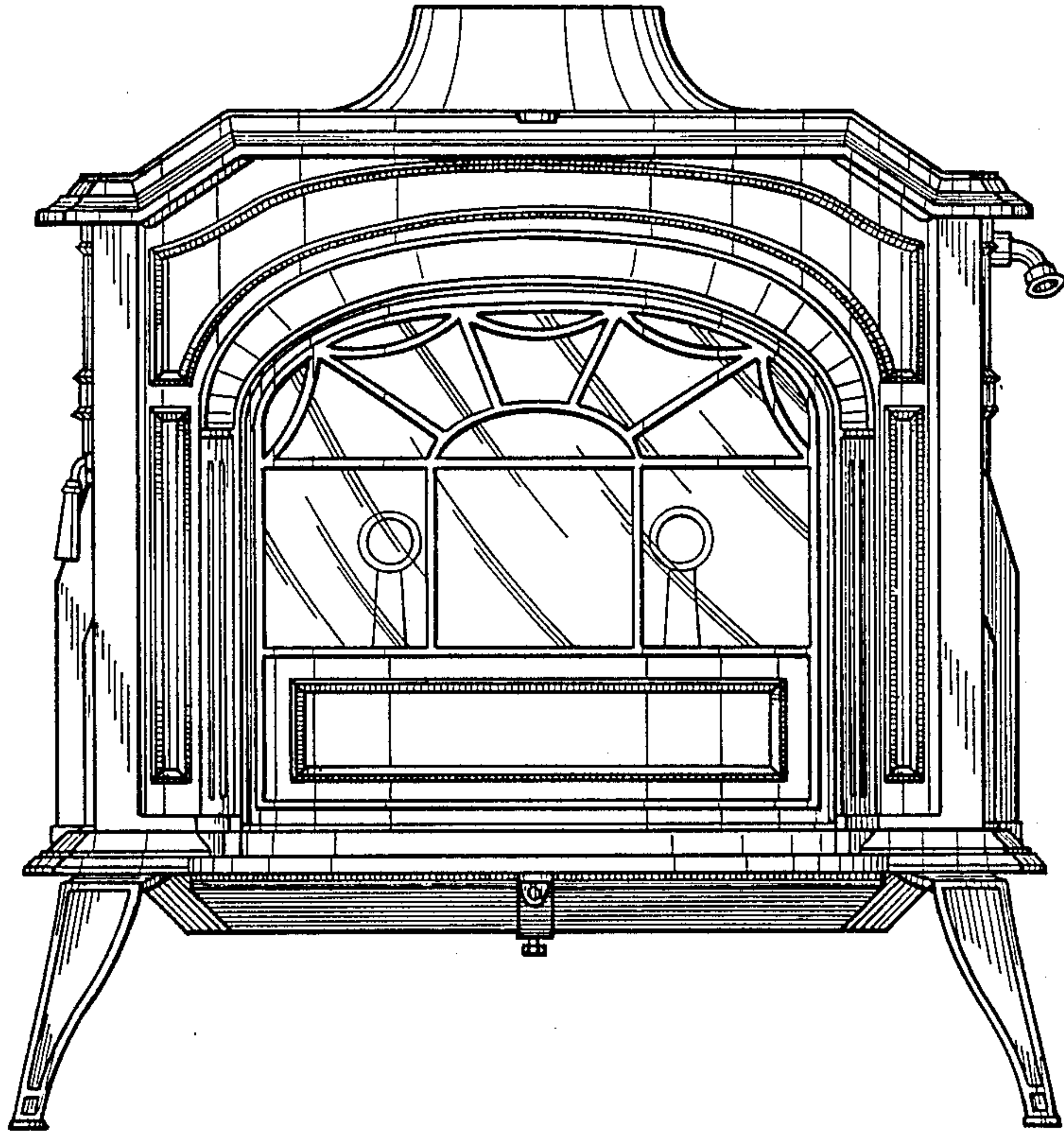


Fig. 2

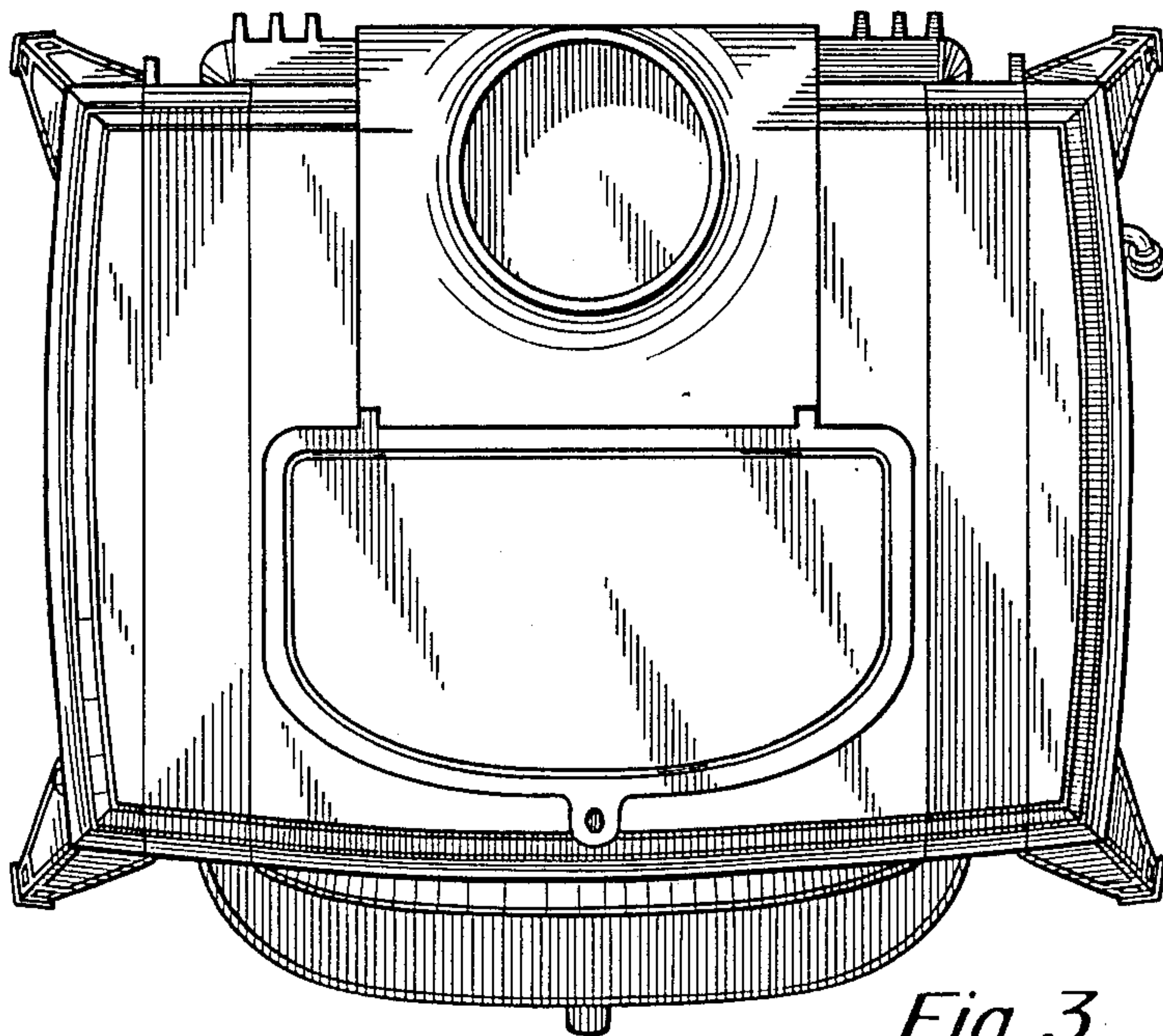


Fig. 3

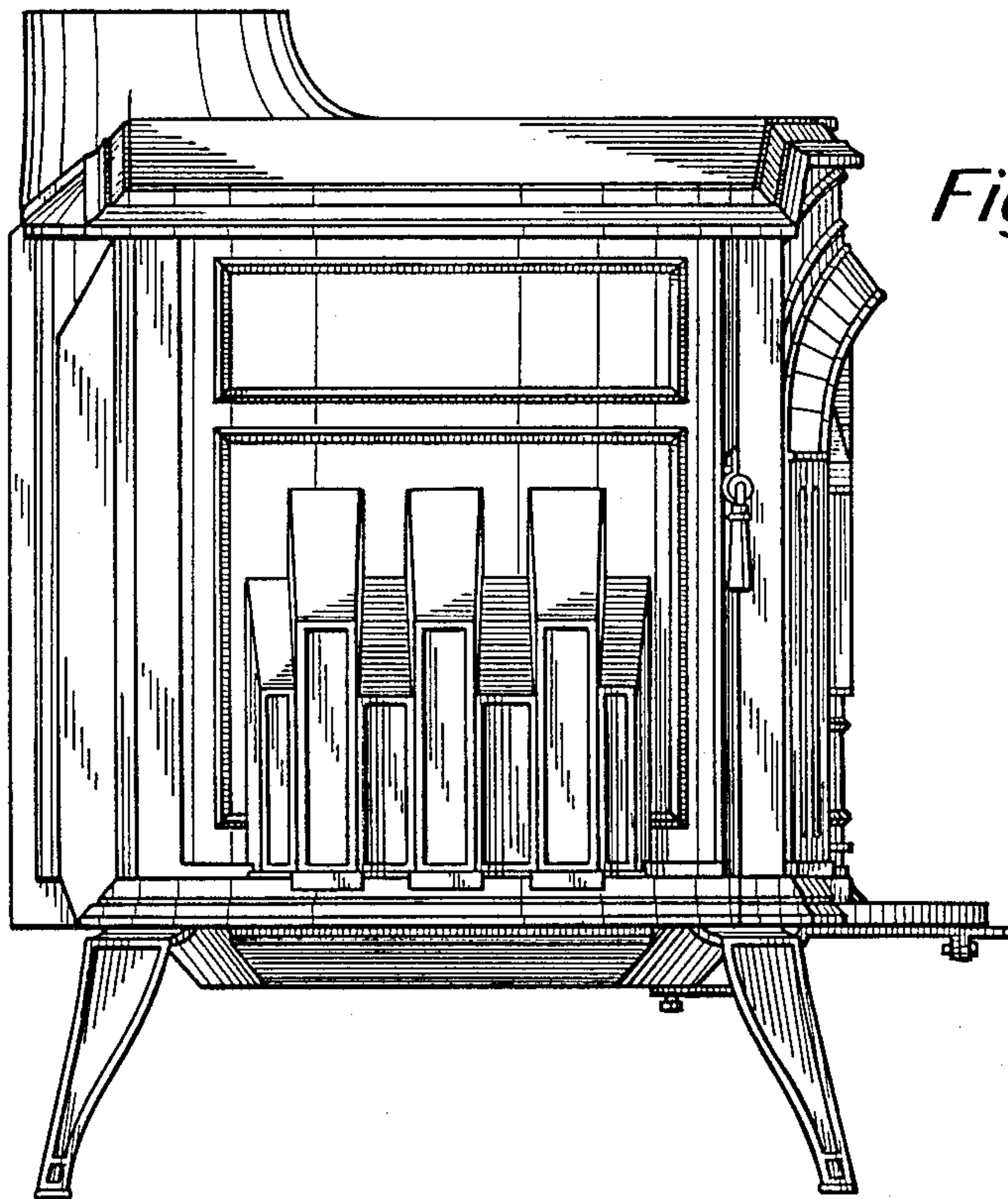


Fig. 4

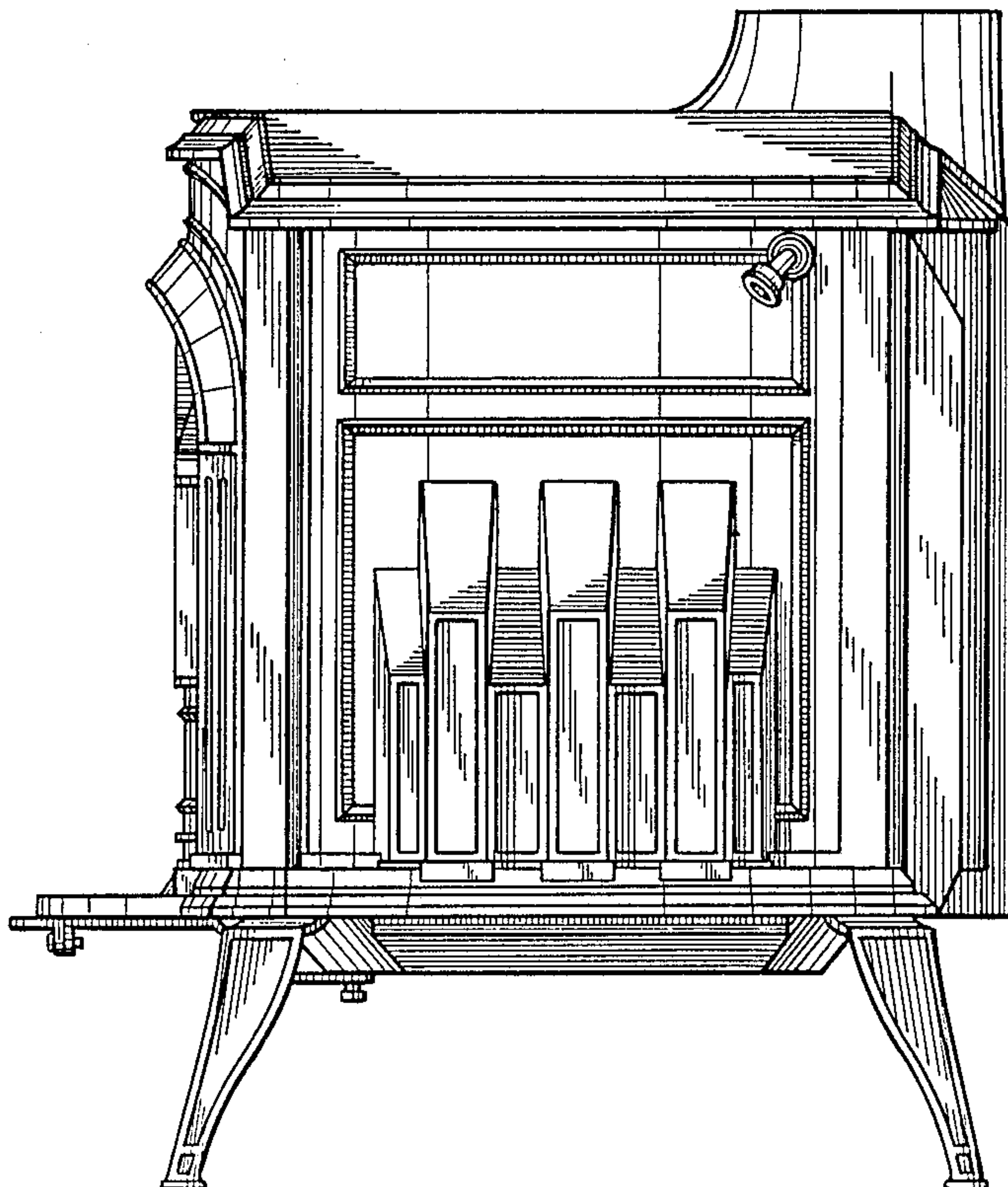


Fig. 5

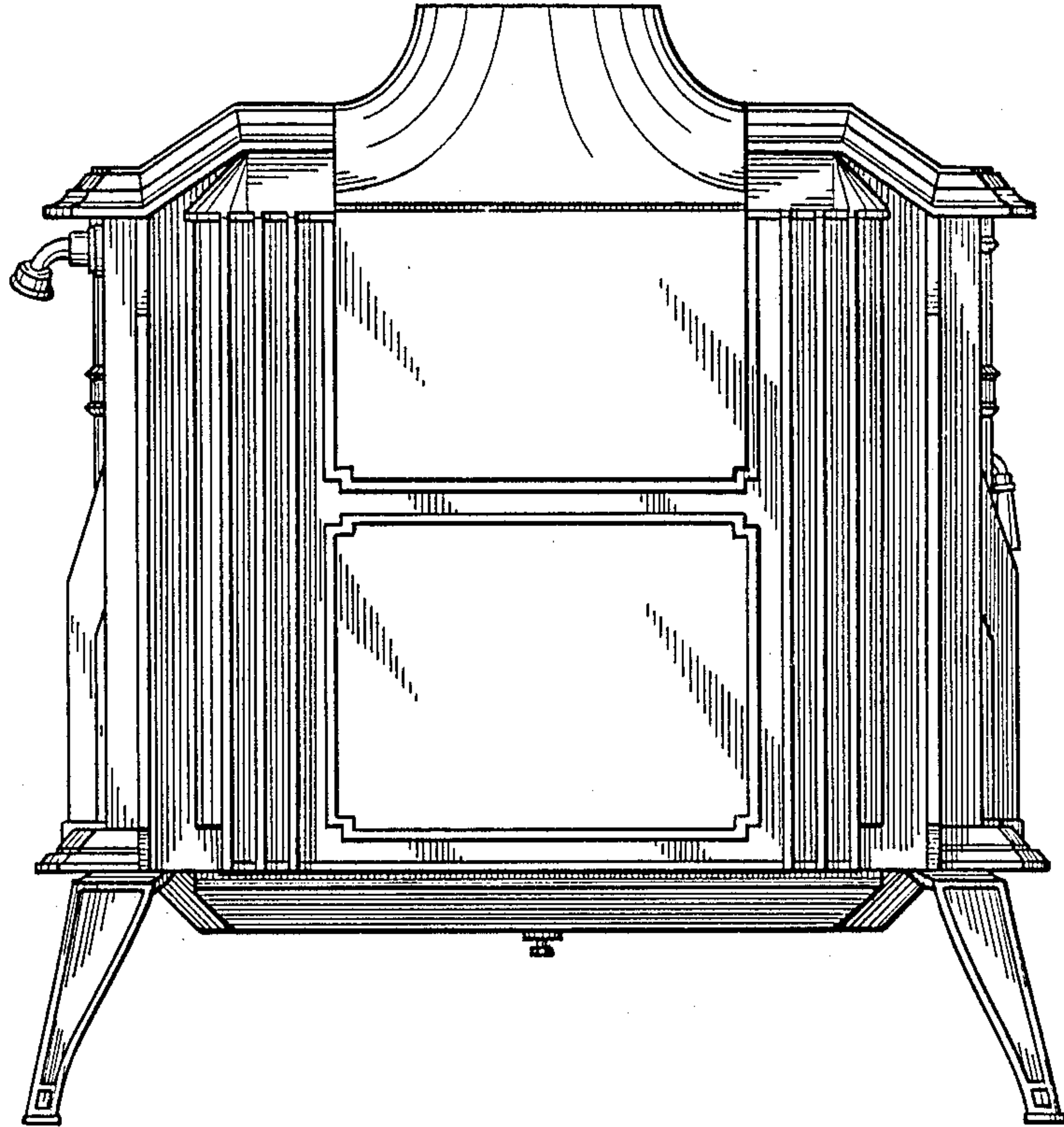


Fig. 6

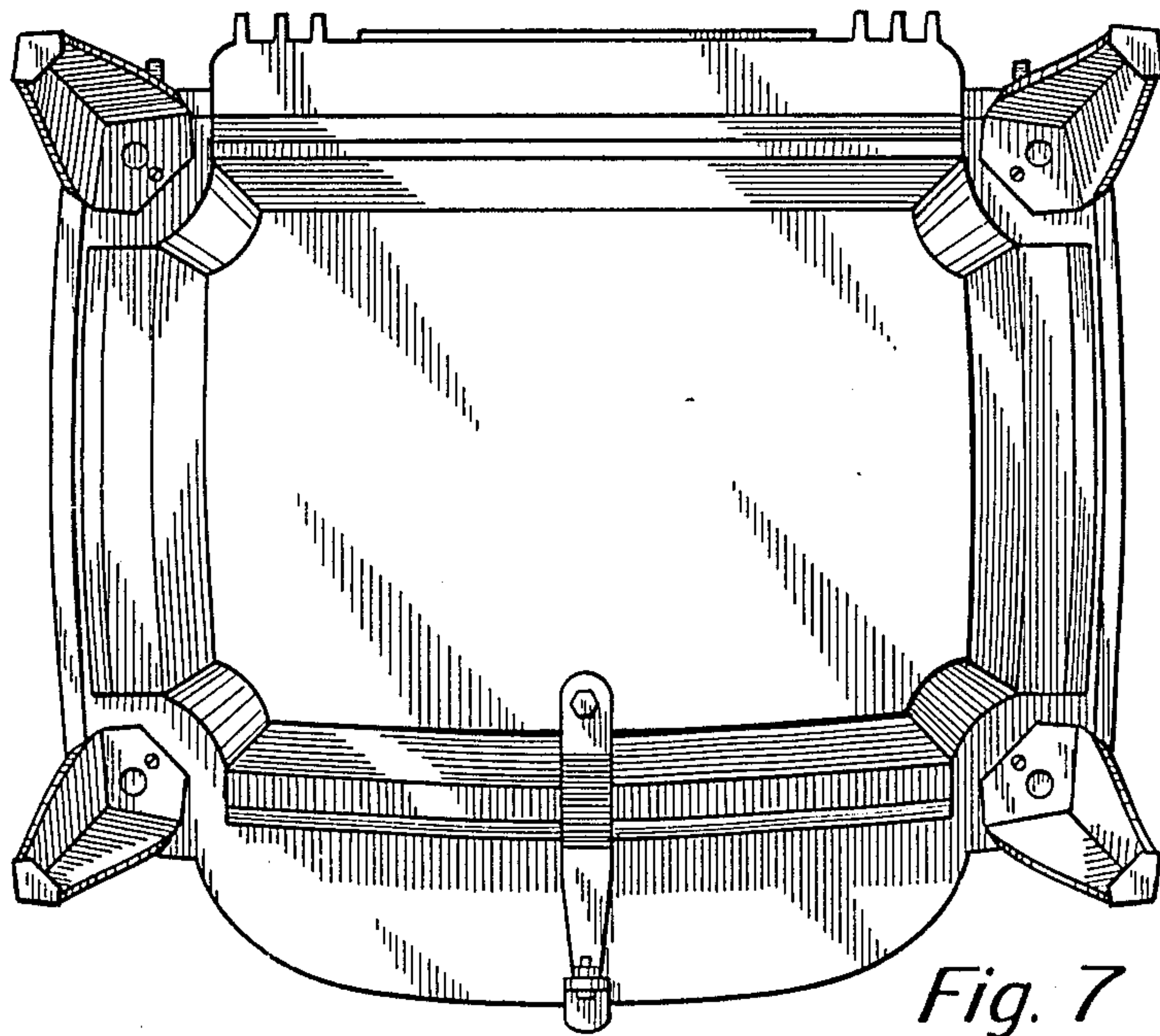


Fig. 7

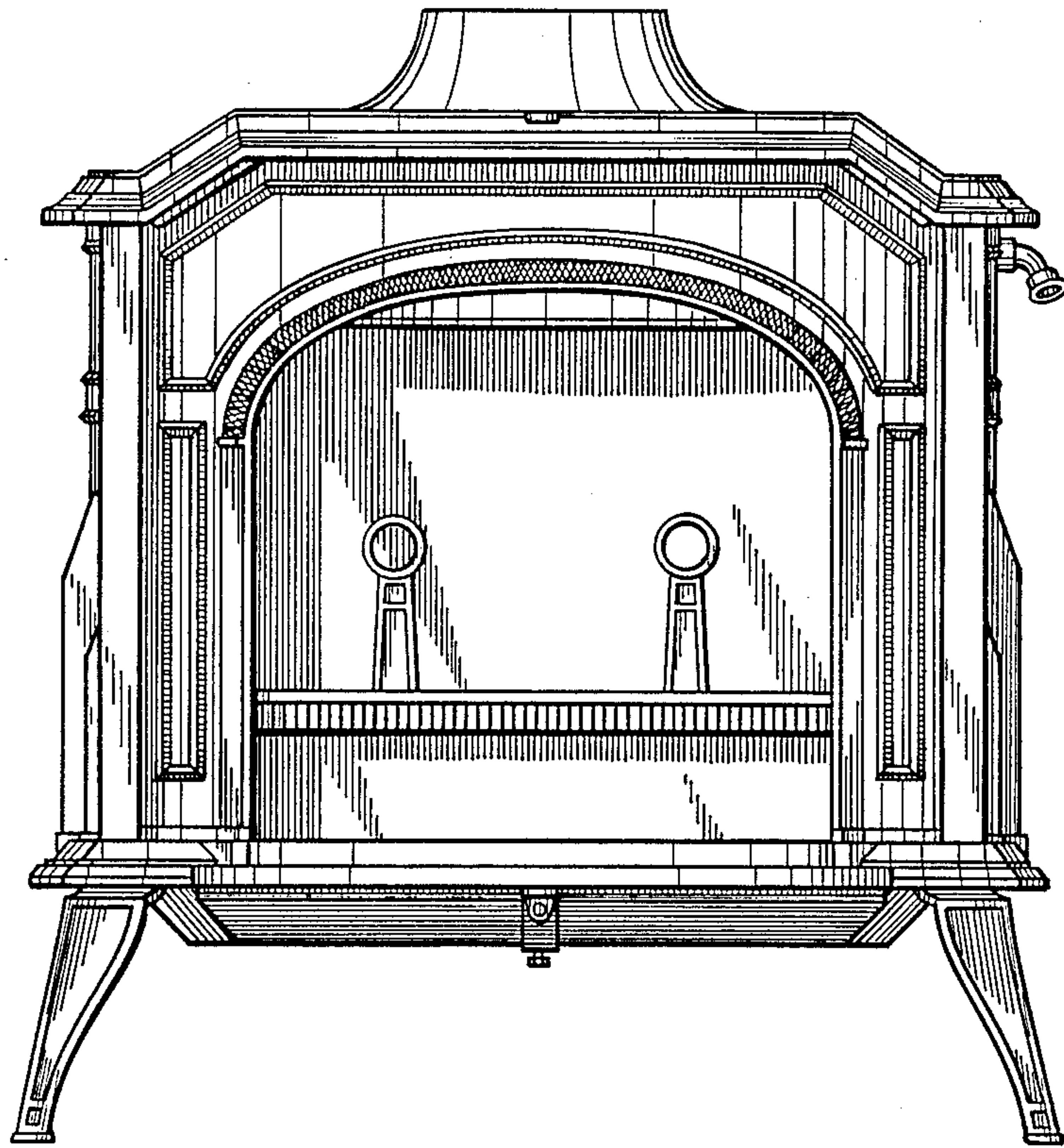


Fig. 8