

[54] **TOILET SEAT LIFTING TAB**

[76] **Inventor: Demetria M. Leonakis, 16231 Eucalyptus, #22, Bellflower, Calif. 90706**

[\*\*] **Term: 14 Years**

[21] **Appl. No.: 145,205**

[22] **Filed: Jan. 19, 1988**

[52] **U.S. Cl. .... D8/307**

[58] **Field of Search ..... D8/300, 305, 306, 307, D8/314, 319, 320; D23/311, 312; 4/251**

[56] **References Cited**

**U.S. PATENT DOCUMENTS**

- D. 191,497 10/1961 Hottle ..... D8/300
- D. 237,797 11/1975 Hermann ..... D8/307
- D. 245,095 7/1977 Murray ..... D23/311 X
- D. 295,603 5/1988 Giallourakis ..... D23/311 X
- 636,564 11/1899 Russell ..... 4/237 X
- 2,758,315 8/1956 Hutton ..... 4/251
- 3,009,214 11/1961 Thompson ..... D8/300

- 3,191,193 6/1965 Bogenberger ..... 4/251
- 3,717,884 2/1973 Mantooth ..... 4/251 X
- 4,129,909 12/1978 Vaughan et al. .... 4/251
- 4,805,246 2/1989 DeVargas et al. .... 4/251

*Primary Examiner*—James R. Largen

*Attorney, Agent, or Firm*—Fulwider, Patton, Rieber Lee & Utecht

[57] **CLAIM**

The ornamental design for a toilet seat lifting tab, as shown and described.

**DESCRIPTION**

FIG. 1 is a perspective view taken from the top, front and right side of a toilet seat lifting tab showing my new design;

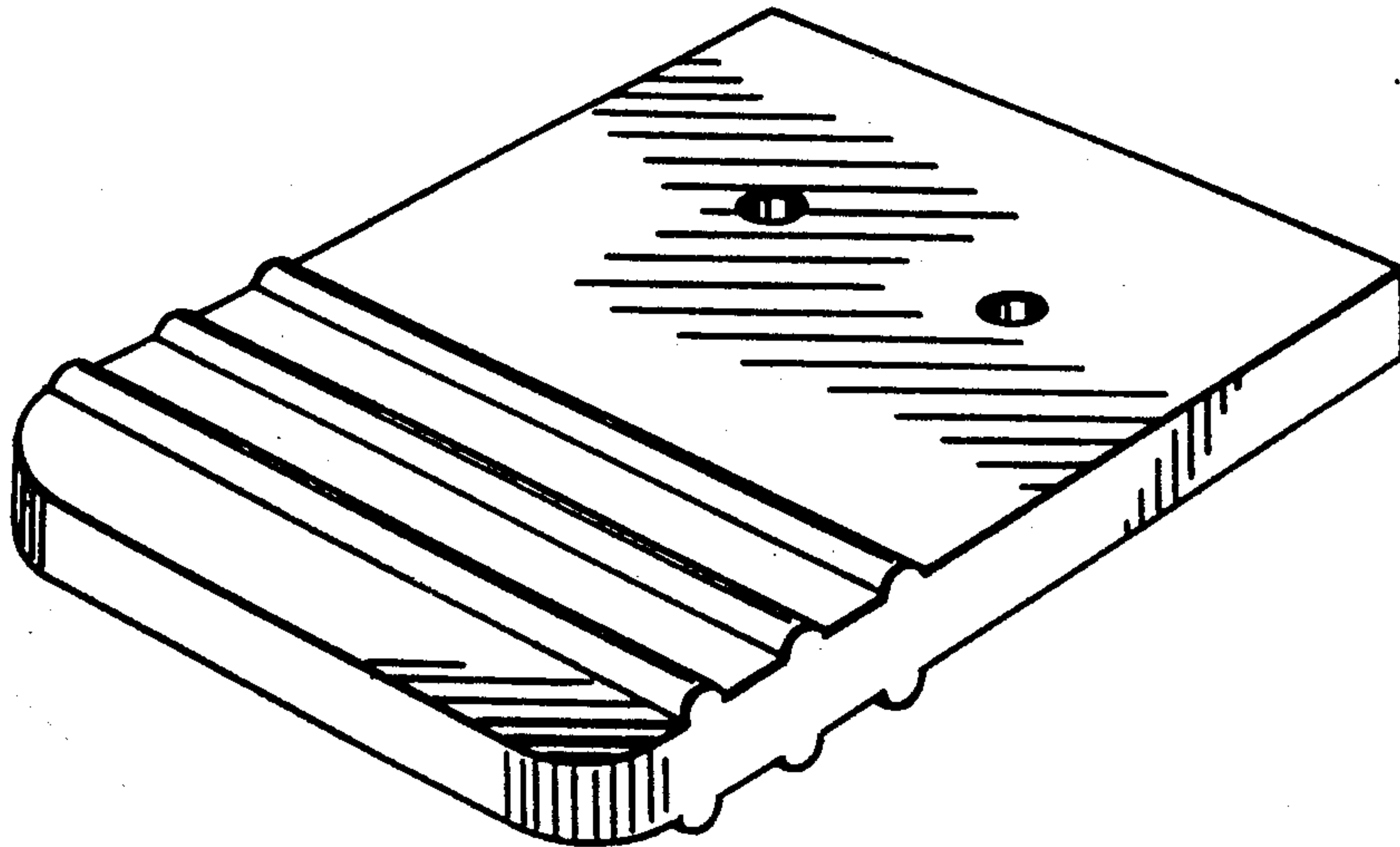
FIG. 2 is a right side elevational view thereof, the left side being a mirror image of the right side shown;

FIG. 3 is a top plan view thereof;

FIG. 4 is a bottom plan view thereof;

FIG. 5 is a front elevational view thereof; and

FIG. 6 is a rear elevational view thereof.



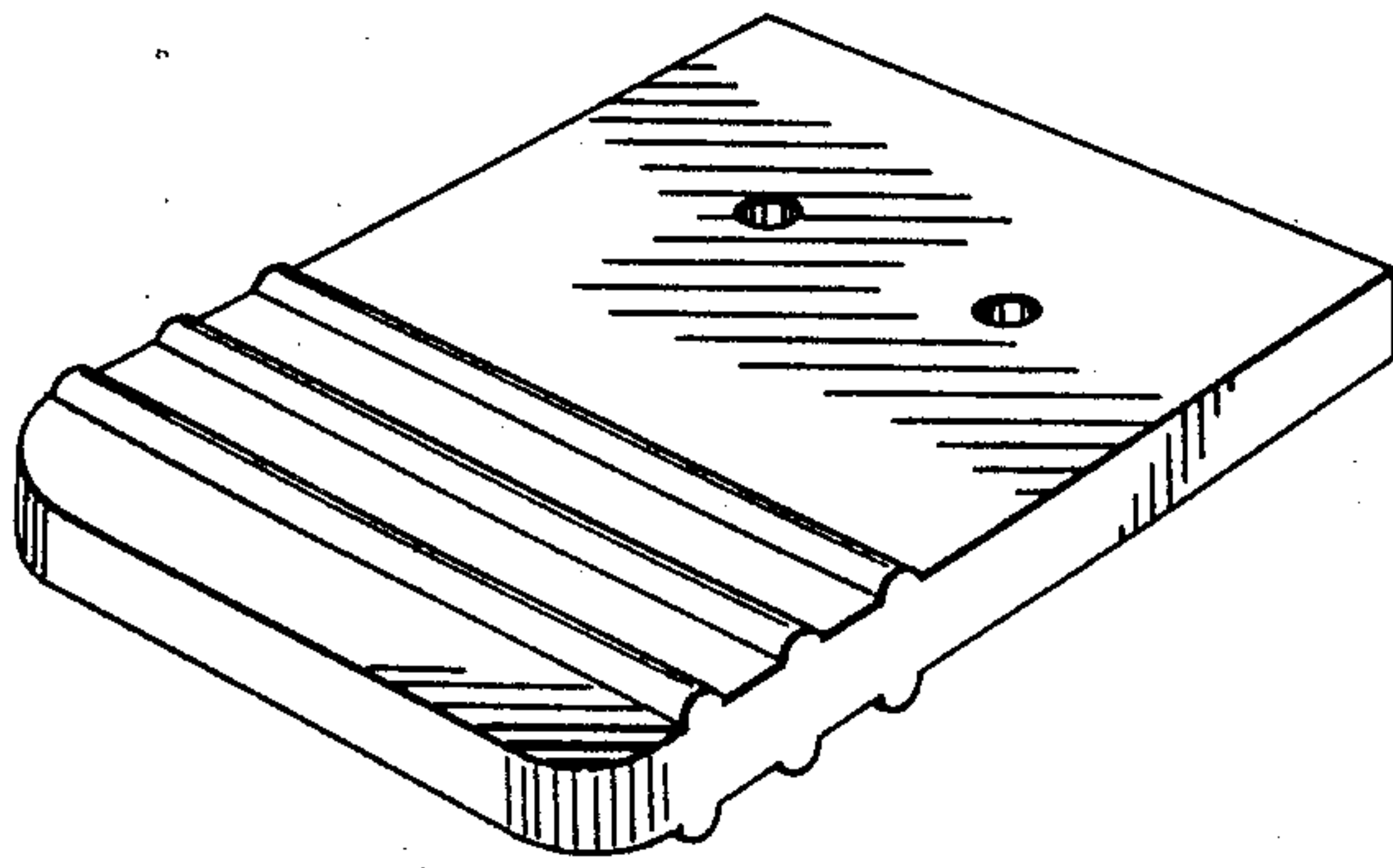


FIG. 1

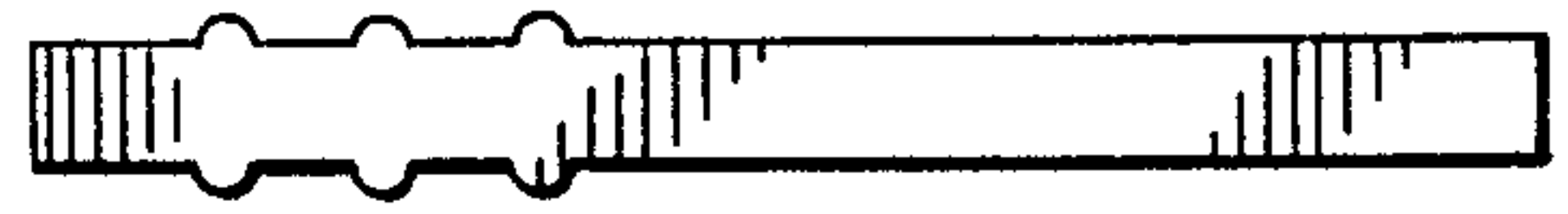


FIG. 2

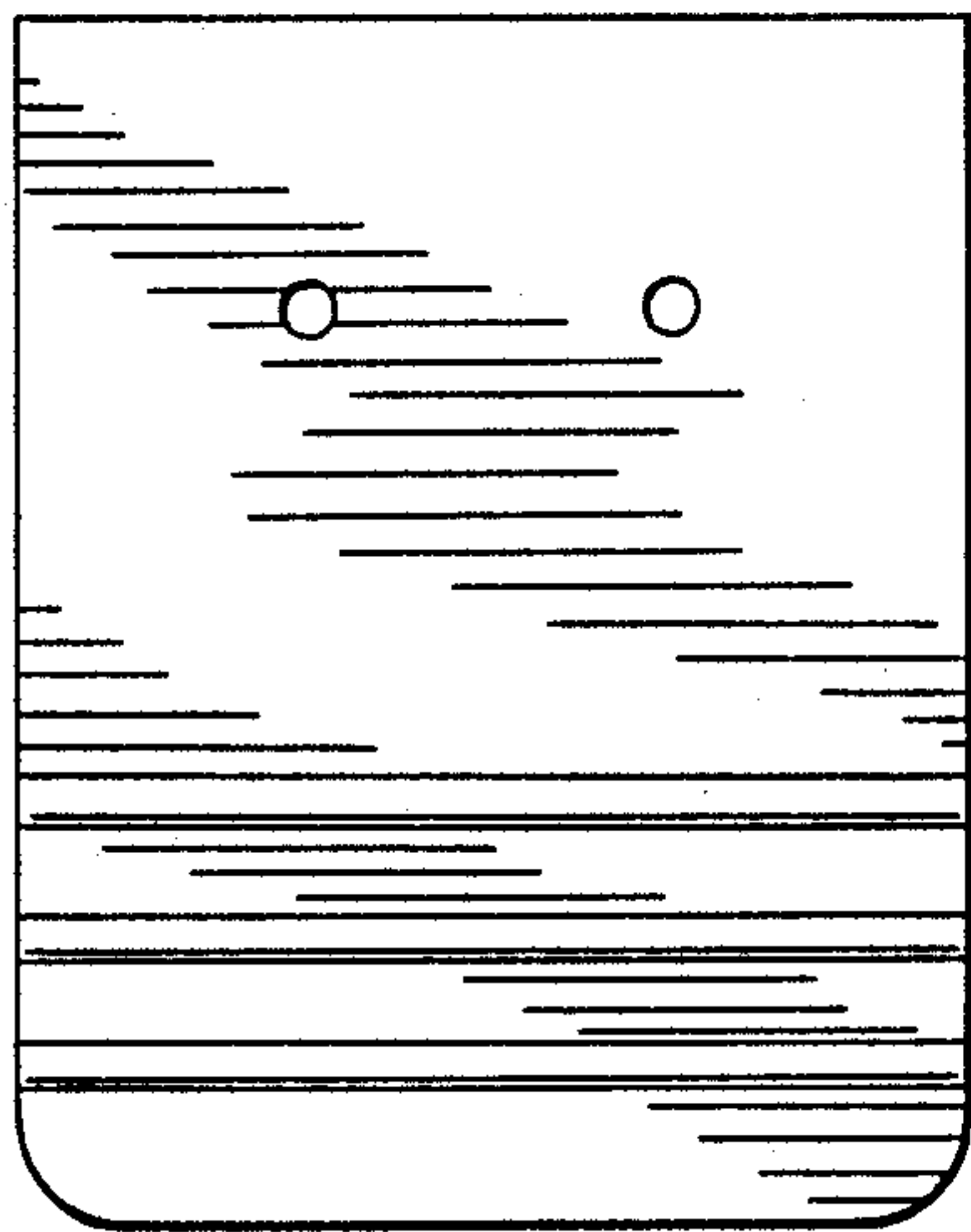


FIG. 3

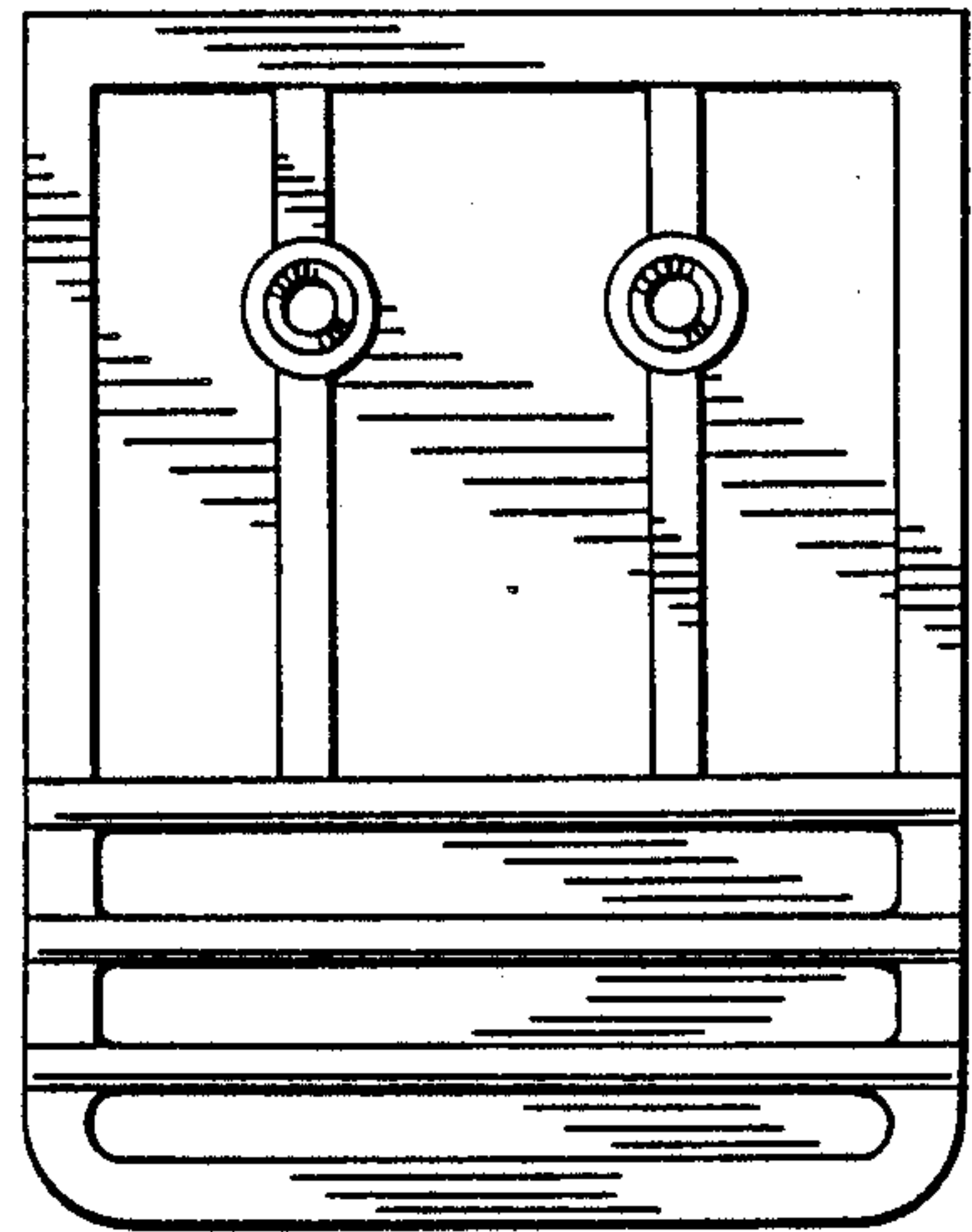


FIG. 4



FIG. 5

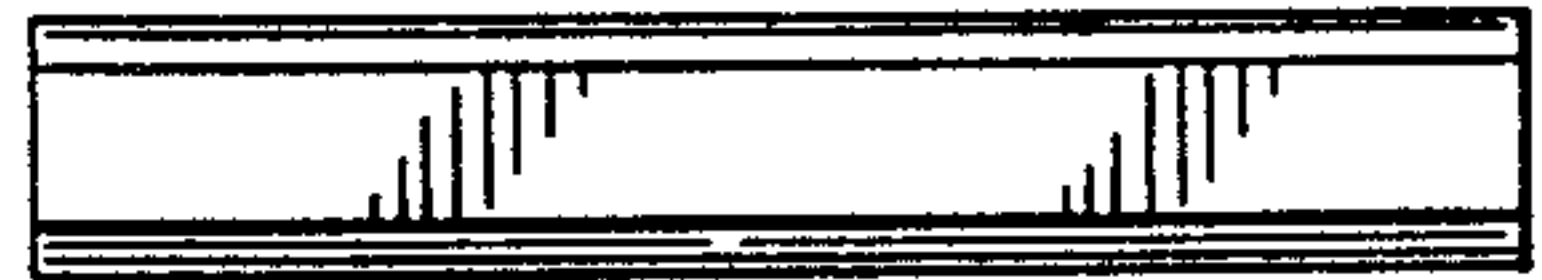


FIG. 6