

- [54] **SKI**
- [75] **Inventor: Philippe Olivier, Seynod, France**
- [73] **Assignee: Salomon S.A., France**
- [**] **Term: 14 Years**
- [21] **Appl. No.: 184,700**
- [22] **Filed: Apr. 22, 1988**
- [52] **U.S. Cl. D21/229**
- [58] **Field of Search D21/224-231;**
280/617, 14.1, 14.2, 28.16, 601-610

[56] **References Cited**

U.S. PATENT DOCUMENTS

- D. 239,455 4/1976 Ferch D21/229
- D. 241,867 10/1976 Ferch D21/229

OTHER PUBLICATIONS

Ski-Flash Magazine, Mar.-Apr. 1976, p. 40, Skis at bottom of page.

Primary Examiner—Charles A. Rademaker
Attorney, Agent, or Firm—Fiddler & Levine

[57] **CLAIM**

The ornamental design for a ski, as shown and described.

DESCRIPTION

FIG. 1 is a side elevational view of a ski showing my new design, the side opposite being a mirror image; FIG. 2 is a top plan view thereof; FIG. 3 is a bottom plan view thereof; FIG. 4 is a front elevational view thereof; FIG. 5 is a rear elevational view thereof; FIG. 6 is a cross-sectional view thereof taken along line VI—VI in FIG. 2 shown on an enlarged scale; FIG. 7 is a cross-sectional view thereof taken along line VII—VII in FIG. 2 shown on an enlarged scale; FIG. 8 is a cross-sectional view thereof taken along line VIII—VIII in FIG. 2 shown on an enlarged scale; and, FIG. 9 is a perspective view thereof.

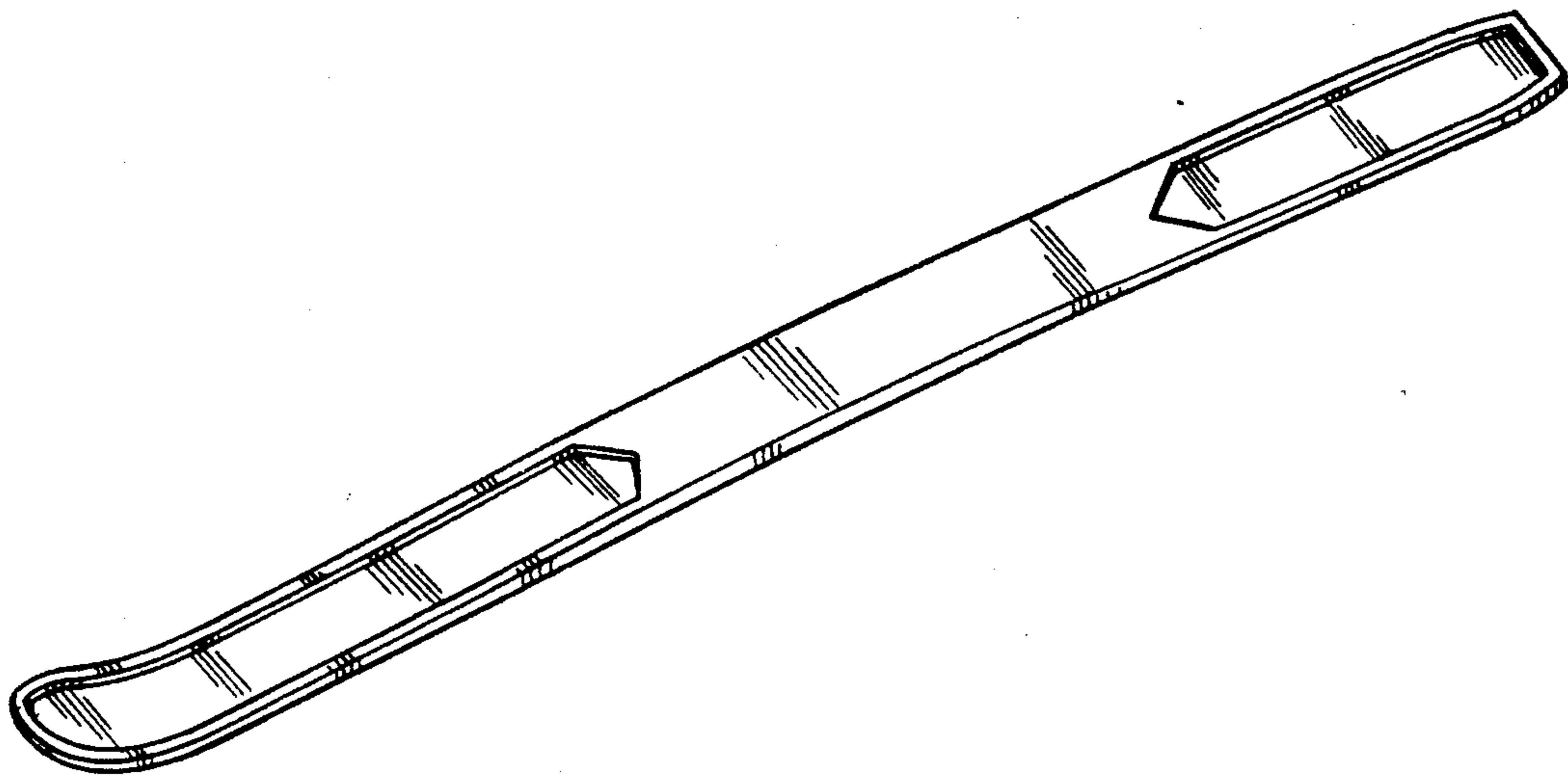




FIG. 1

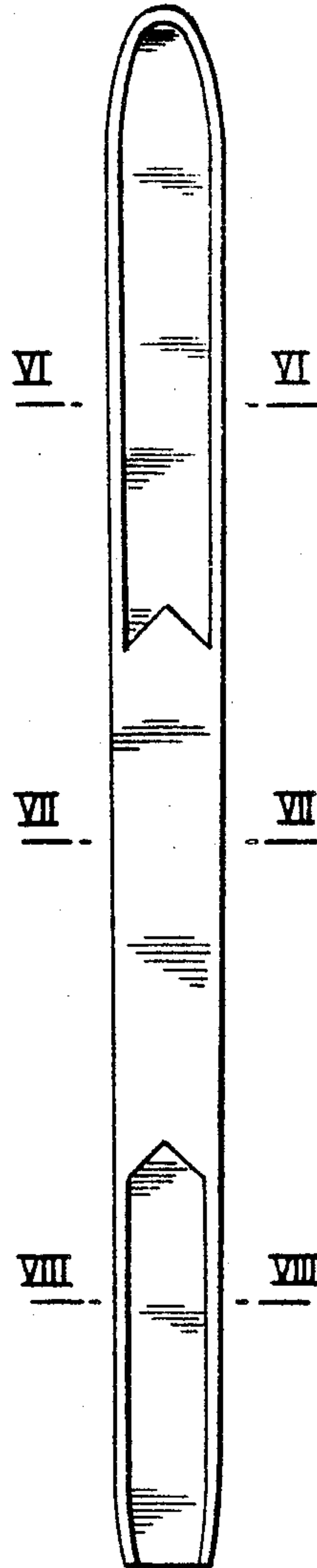


FIG. 2

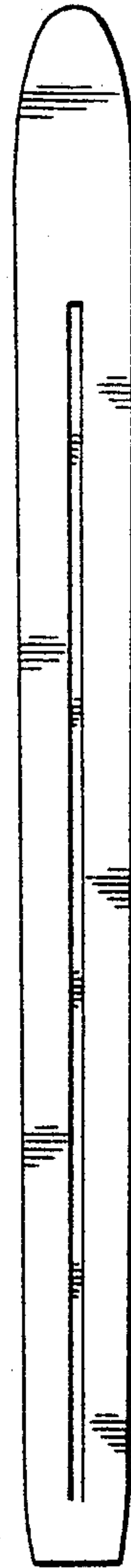


FIG. 3



FIG. 4



FIG. 5



FIG. 6



FIG. 7



FIG. 8

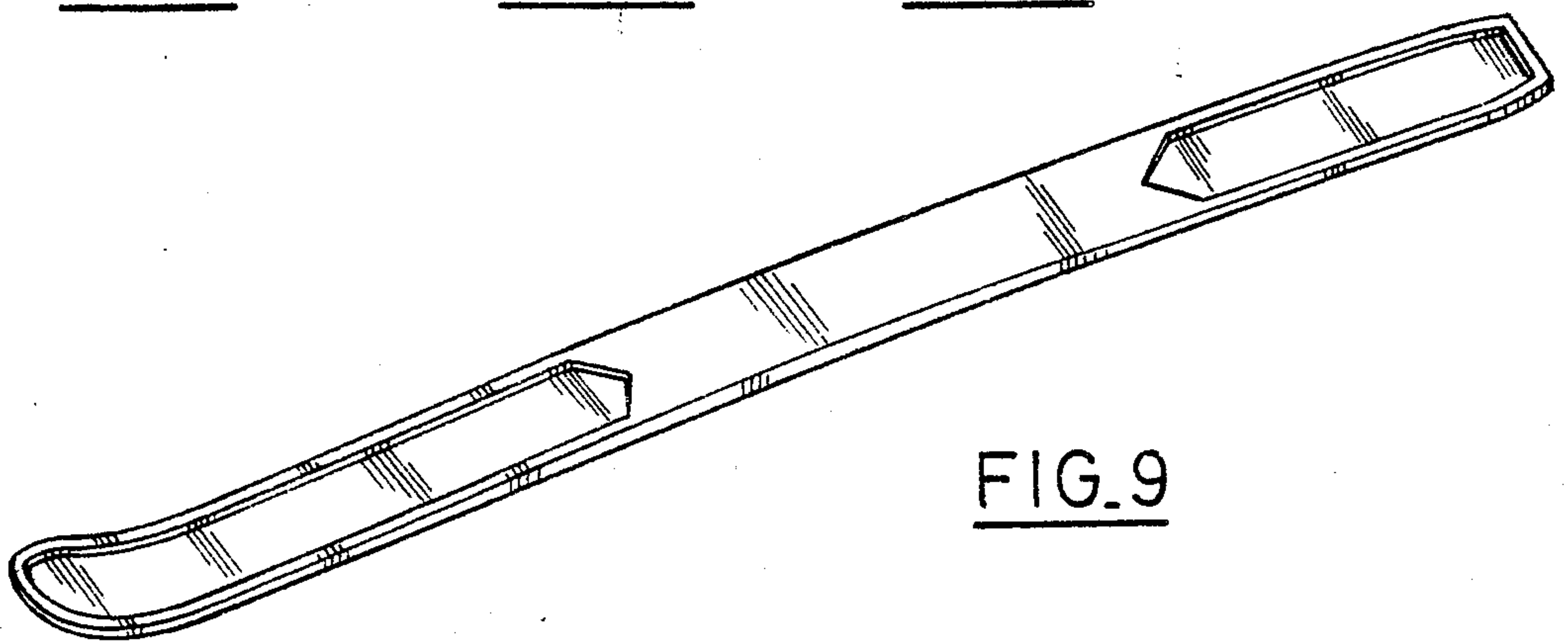


FIG. 9