

United States Patent [19]

McCullough

[11] Patent Number: **Des. 308,237**

[45] Date of Patent: **** May 29, 1990**

[54] **BASKETBALL RETURN DEVICE**
[76] Inventor: **Richard P. McCullough**, 1204 Nicole,
Apt. 1614, Ft. Worth, Tex. 76120
[**] Term: **14 Years**
[21] Appl. No.: **78,574**
[22] Filed: **Jul. 27, 1987**
[52] U.S. Cl. **D21/201**
[58] Field of Search **D6/566, 567; D21/48,**
D21/199, 200, 201; 294/19.2; 273/1.5 R, 1.5 A,
29 R, 29 B, 29 BB, 55 R, 55 B, 55 C, 55 D, 127
RB, 181 F, 182 R, 400, 411

[56] **References Cited**
U.S. PATENT DOCUMENTS

2,122,322 6/1938 Kidwell et al. 211/14
3,233,896 2/1966 King 273/1.5 A
3,917,263 11/1975 Wiley 273/1.5 A
4,579,340 4/1986 Jenkins et al. D21/201

4,667,957 5/1987 Joseph 273/1.5 A
4,706,954 11/1987 Kershaw 273/1.5 A
4,714,248 12/1987 Koss 273/1.5 A

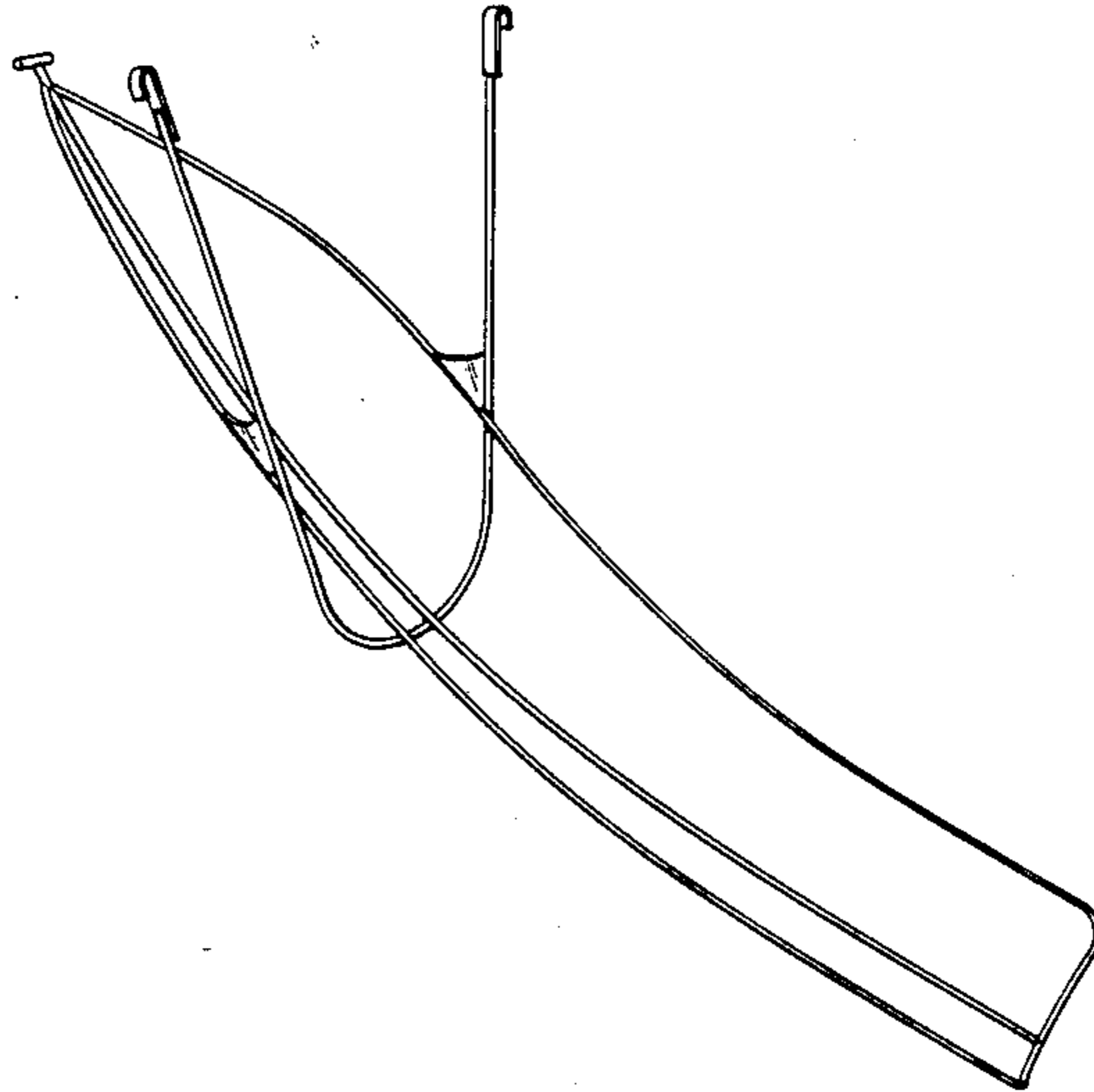
Primary Examiner—Charles A. Rademaker
Assistant Examiner—Alicia A. Farrell
Attorney, Agent, or Firm—Charles W. McHugh

[57] **CLAIM**

The ornamental design for a basketball return device, as shown and described.

DESCRIPTION

FIG. 1 is a perspective view of the basketball return device showing my new design;
FIG. 2 is a side elevational view thereof, with both side views being identical;
FIG. 3 is a top plan view thereof;
FIG. 4 is a bottom plan view thereof;
FIG. 5 is a front elevational view thereof; and
FIG. 6 is a rear elevational view thereof.



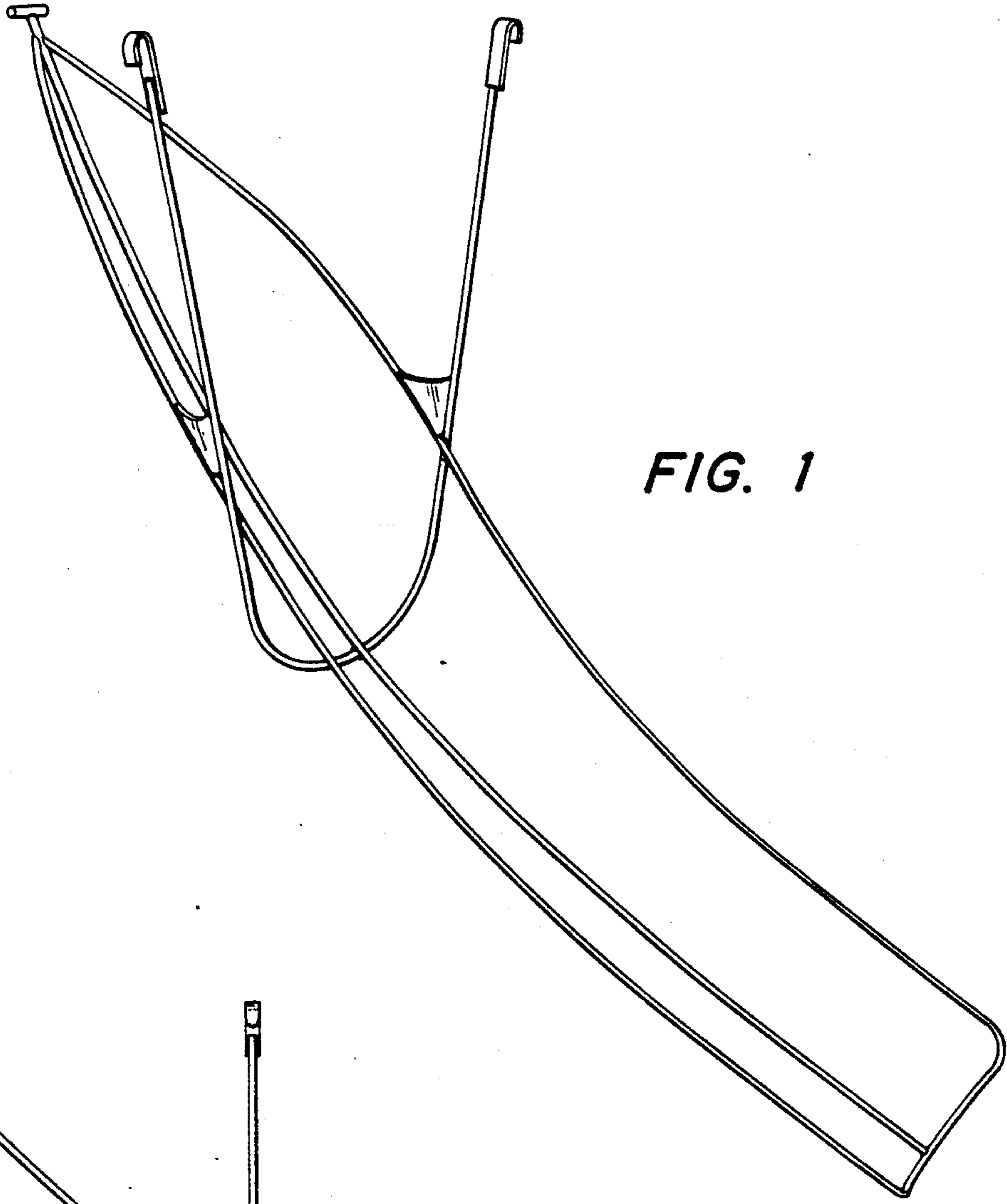


FIG. 1

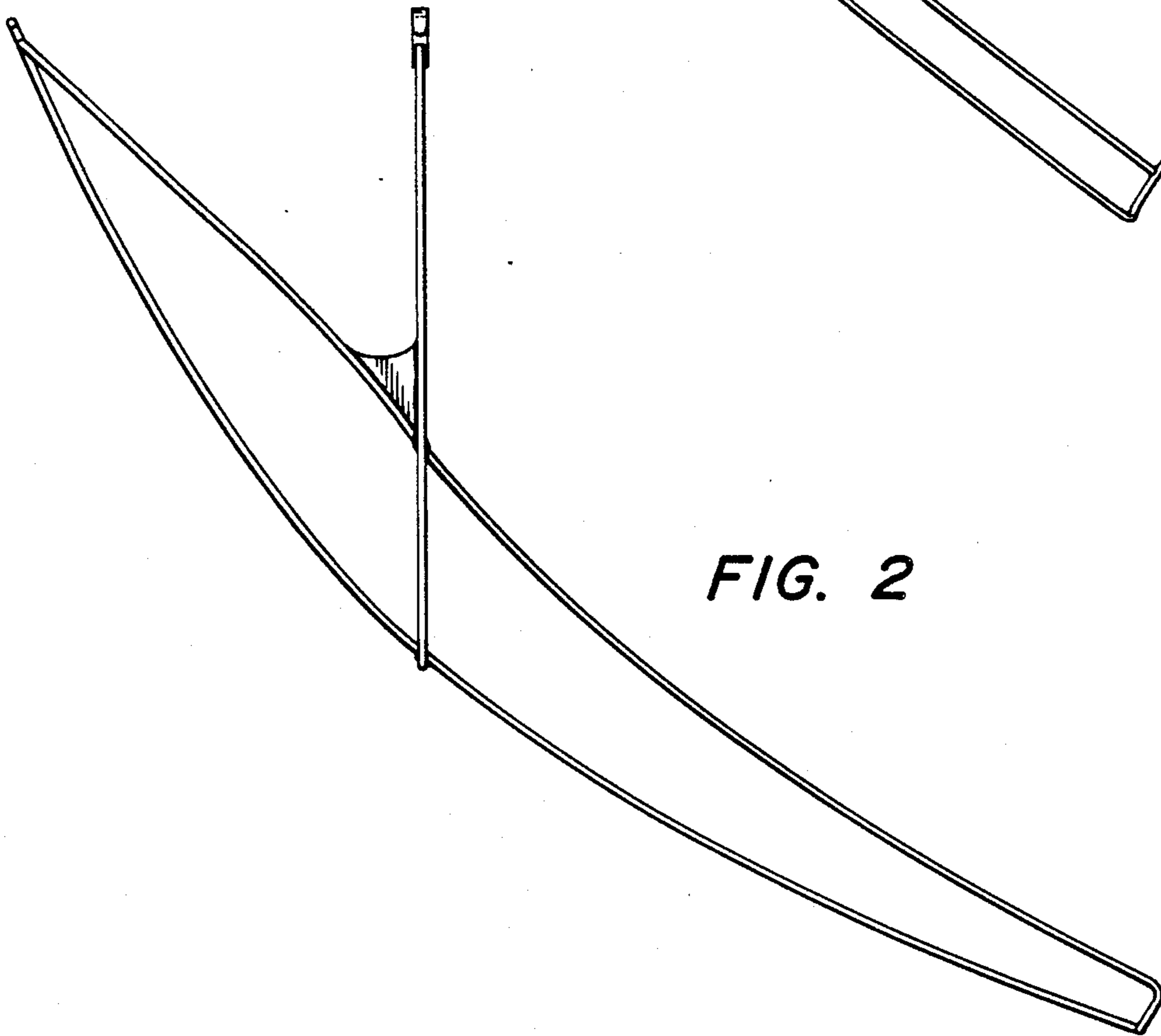


FIG. 2

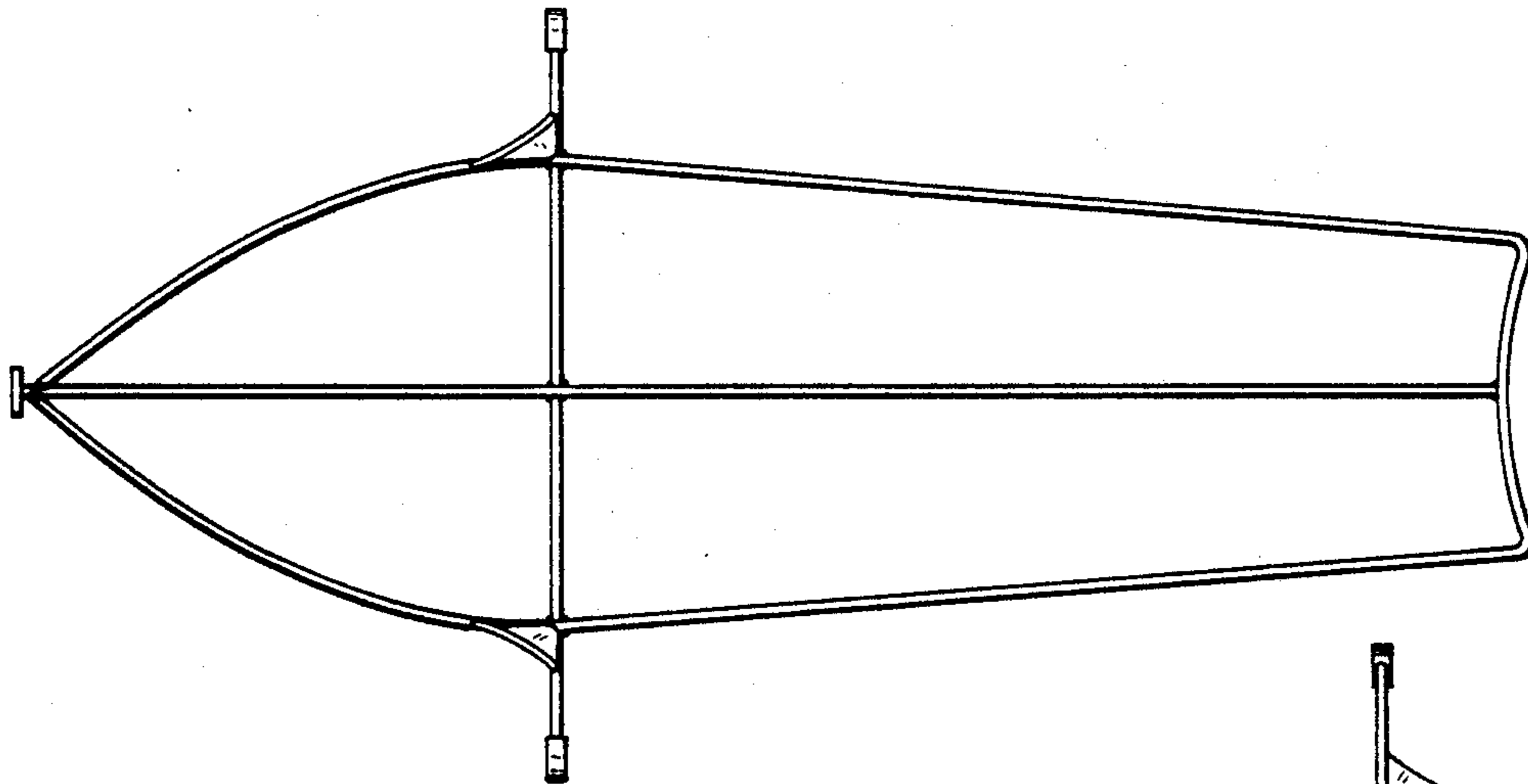


FIG. 3

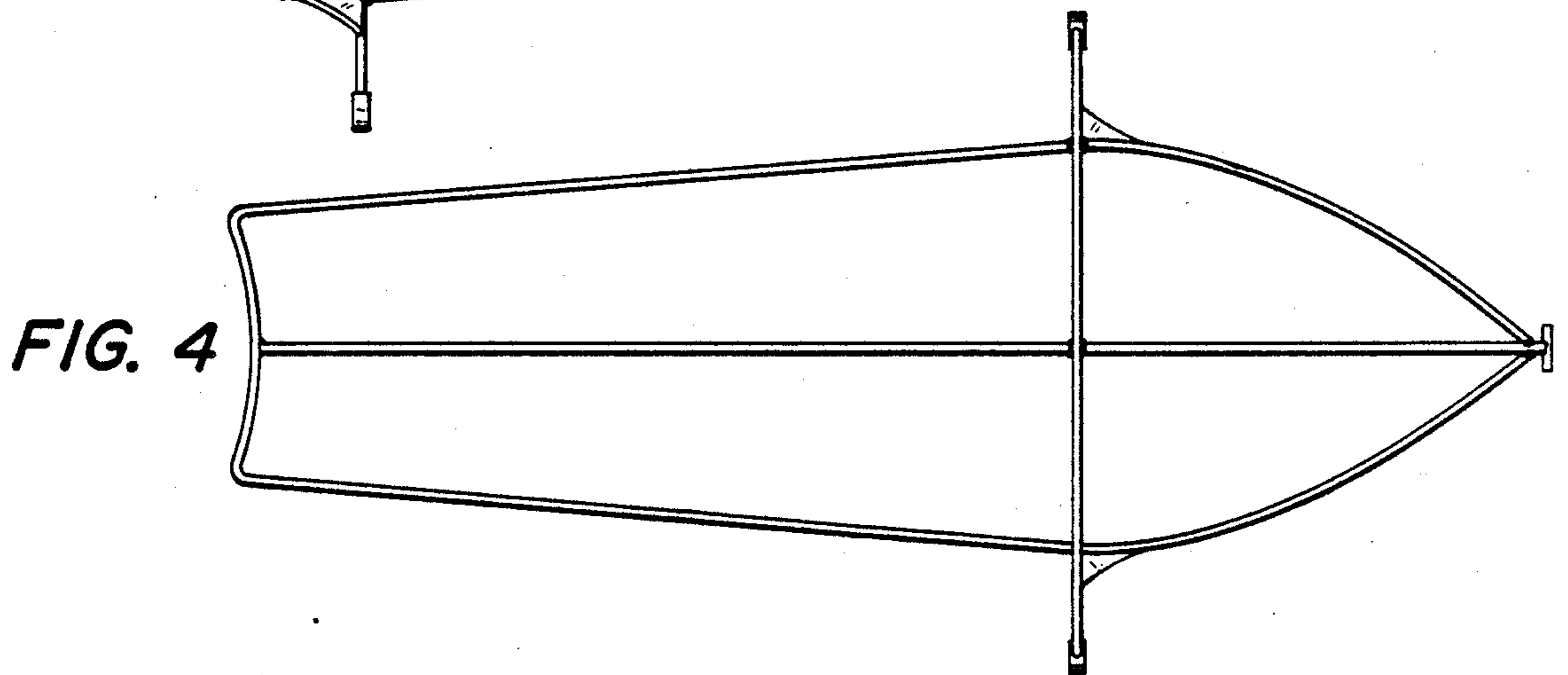


FIG. 4

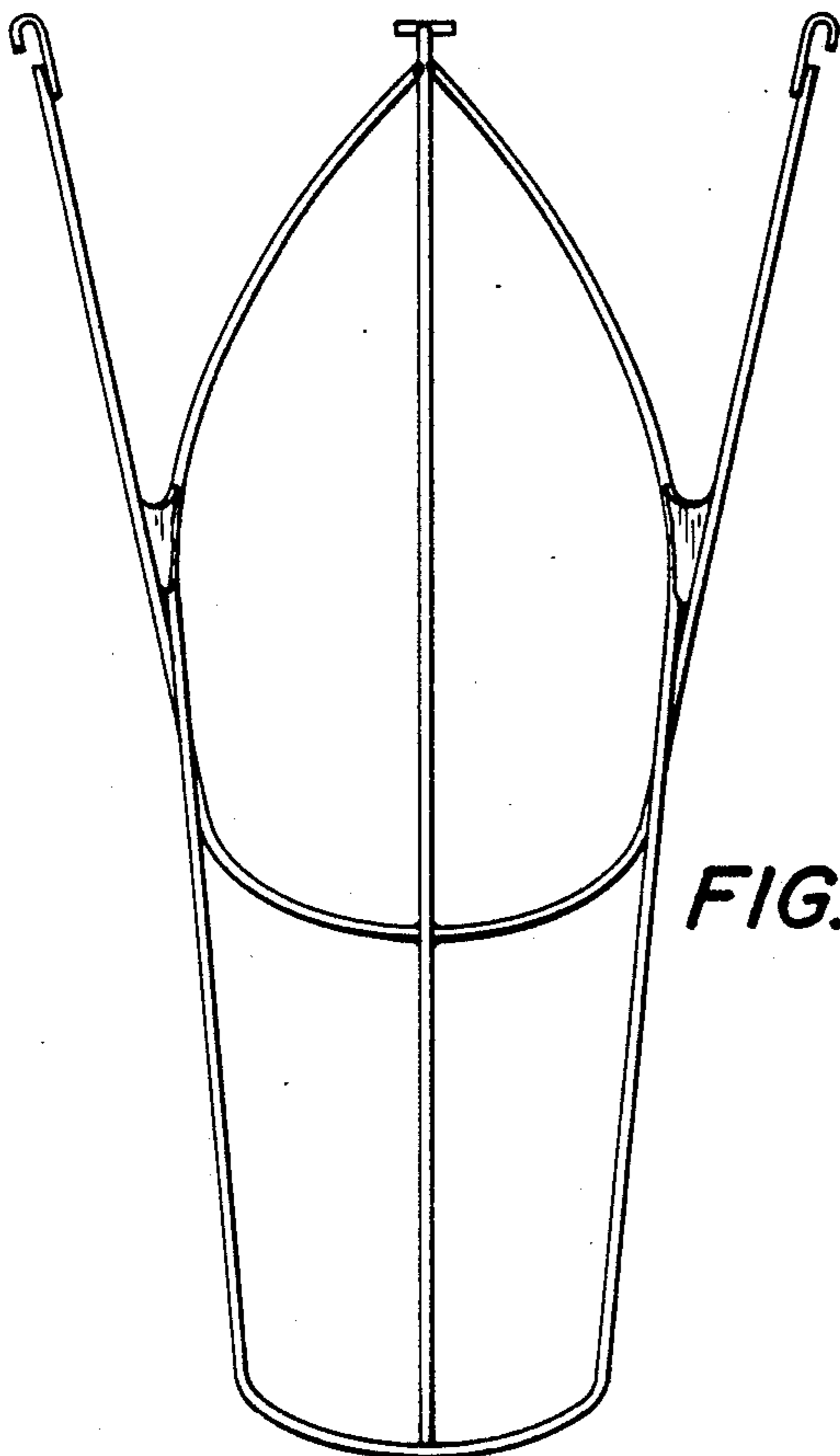


FIG. 5

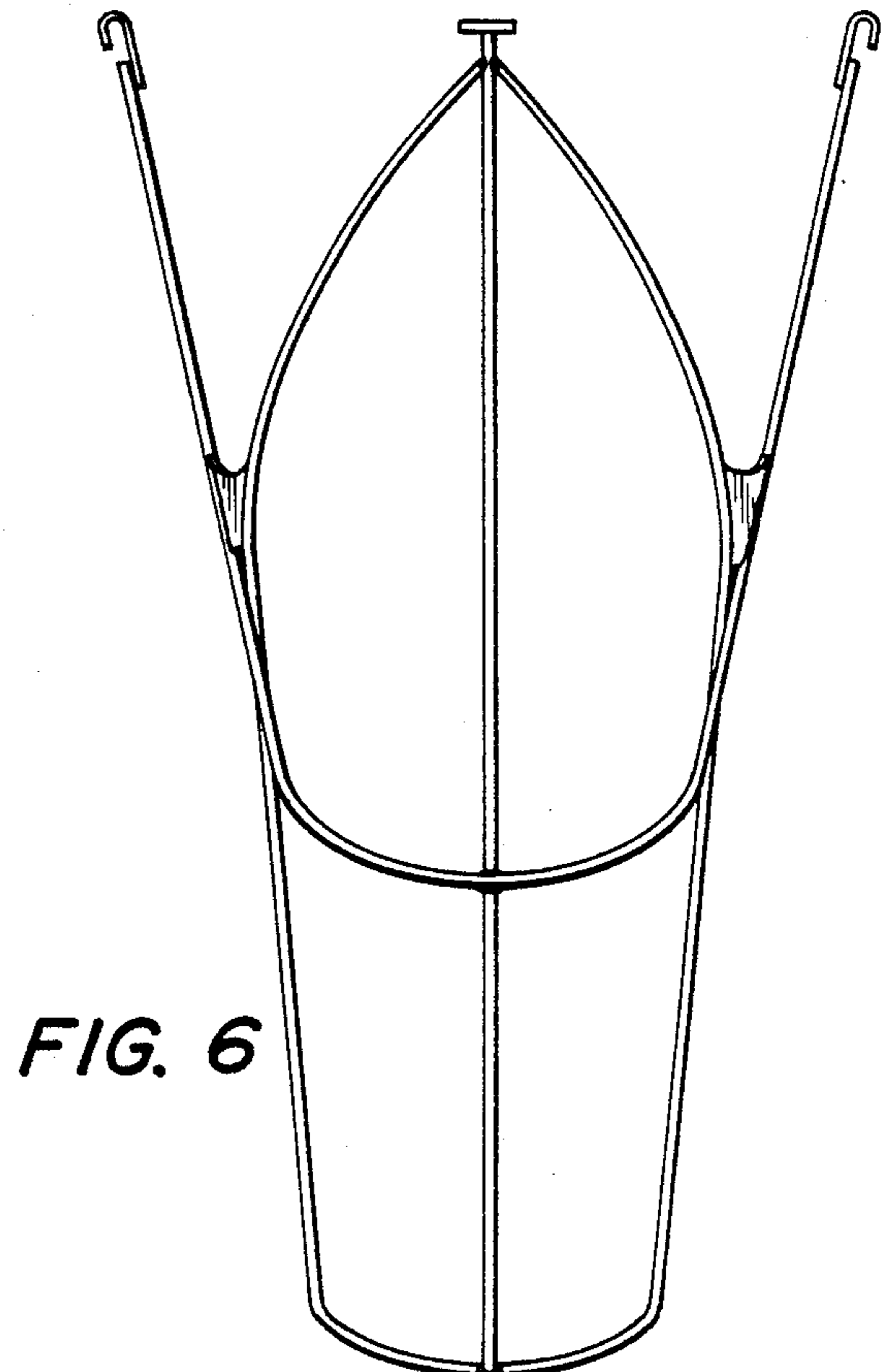


FIG. 6