

[54] EXERCISE BICYCLE

[75] Inventor: Edward H. Meisner, Short Hills, N.J.

[73] Assignee: Voit Sports Incorporated, Fairport, N.Y.

[**] Term: 14 Years

[21] Appl. No.: 228,239

[22] Filed: Aug. 4, 1988

[52] U.S. Cl. D21/194

[58] Field of Search D21/191-199; 272/70.3, 73, 132; 73/379

[56] References Cited

U.S. PATENT DOCUMENTS

- D. 278,268 4/1985 Kiiski D21/194
- D. 280,923 10/1985 Smith et al. D21/194
- D. 281,520 11/1985 Kiiski D21/194

D. 299,371 1/1989 Tsuyama D21/194

Primary Examiner—Charles A. Rademaker
Attorney, Agent, or Firm—Robert U. Fiddler

[57] CLAIM

The ornamental design for an exercise bicycle, shown and described.

DESCRIPTION

FIG. 1 is a perspective view of an exercise bicycle showing my new design;
 FIG. 2 is a front elevational view thereof;
 FIG. 3 is a rear elevational view thereof;
 FIG. 4 is a left side elevational view thereof, viewed from the right in FIG. 1;
 FIG. 5 is a right side elevational view thereof, viewed from the left in FIG. 1;
 FIG. 6 is a top plan view thereof; and
 FIG. 7 is a bottom plan view thereof.

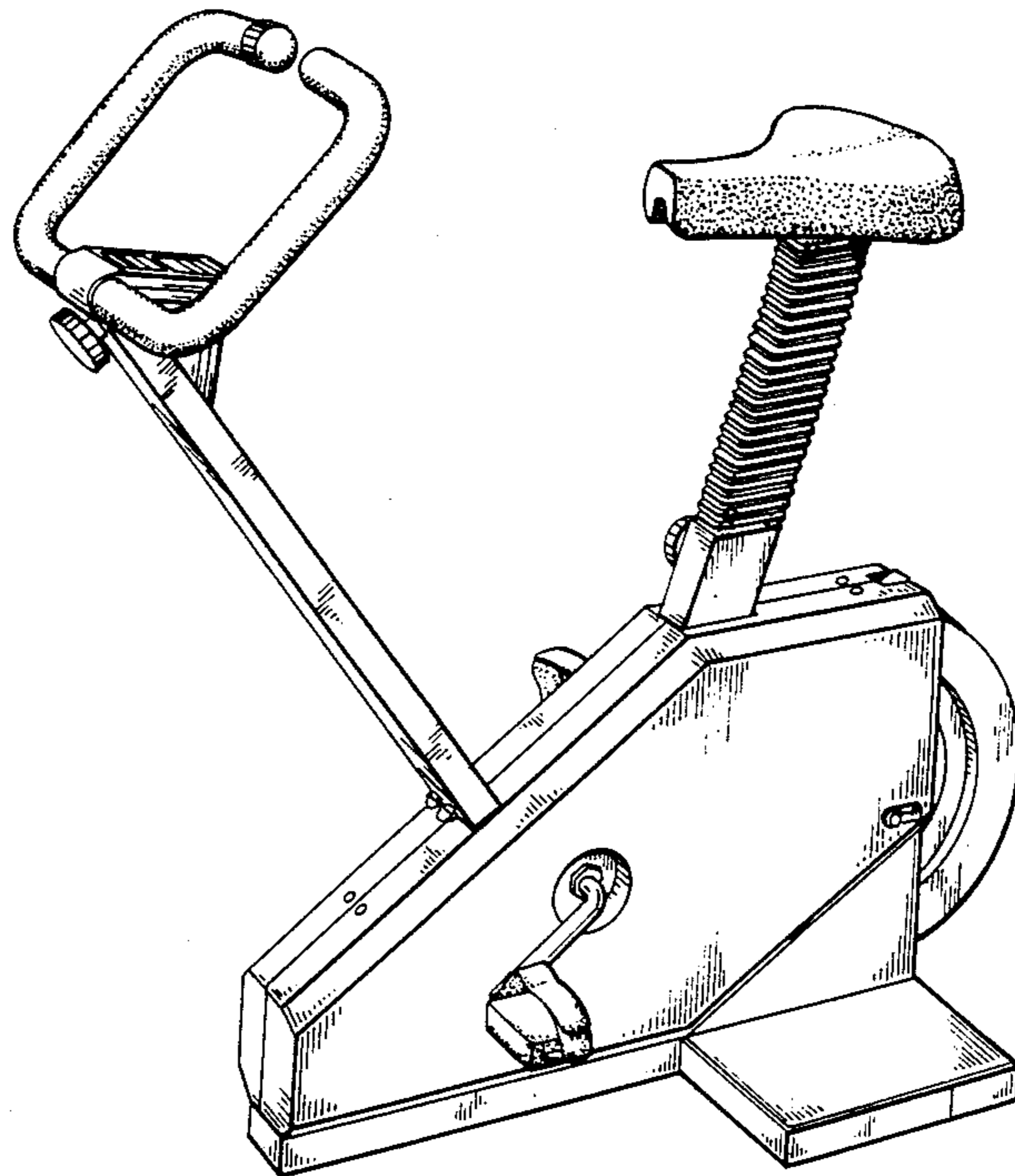
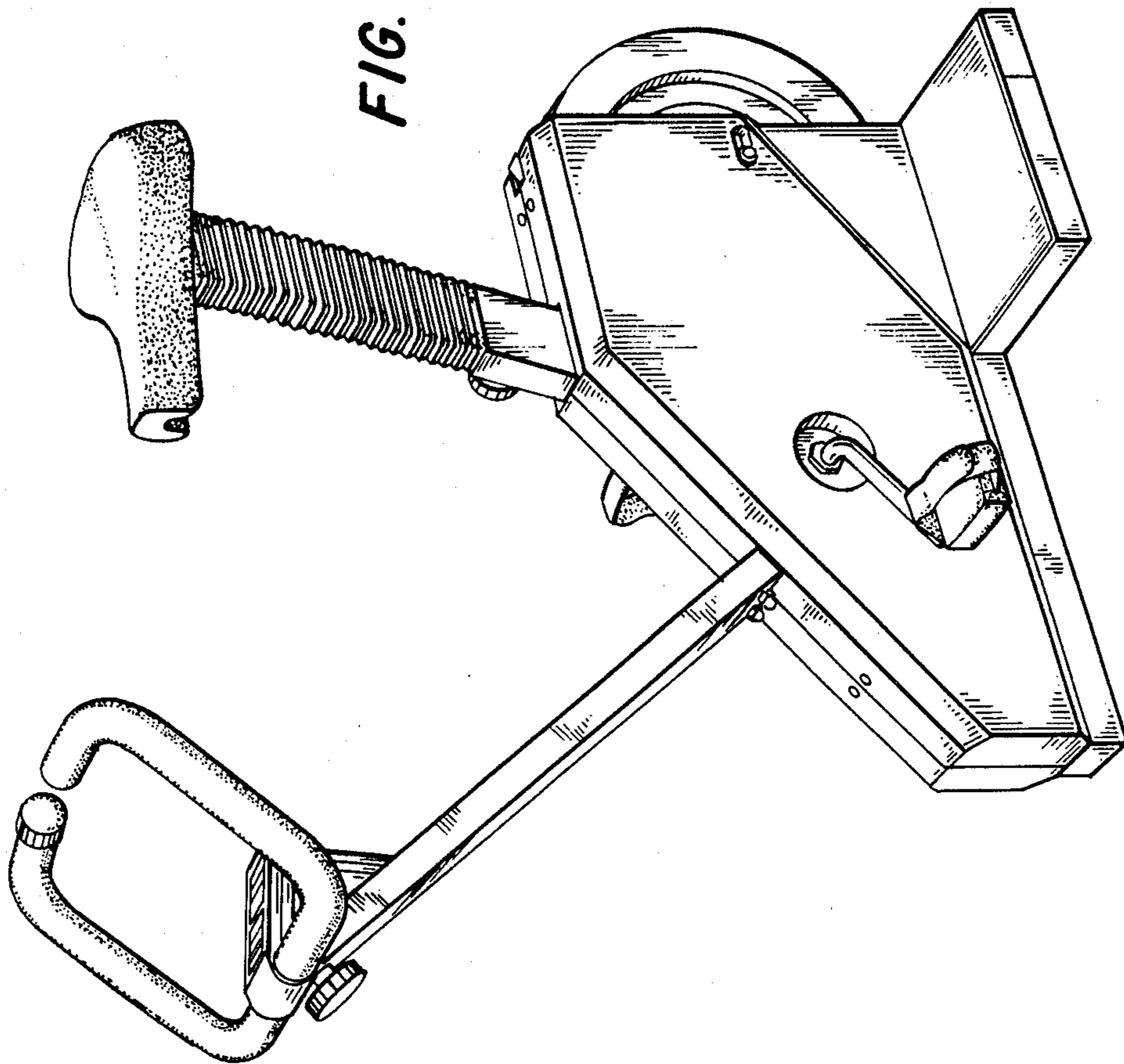


FIG. 1



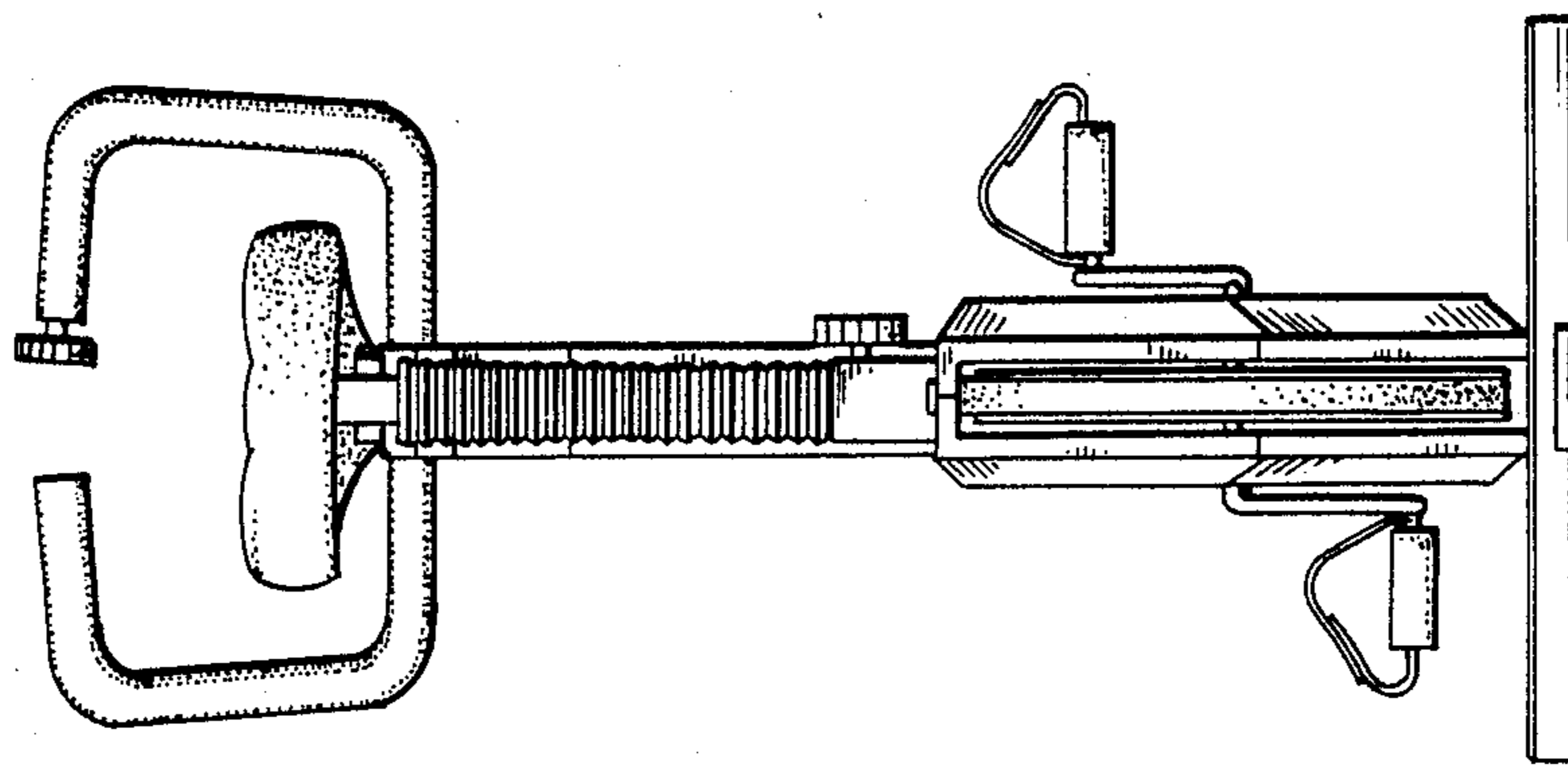


FIG. 3

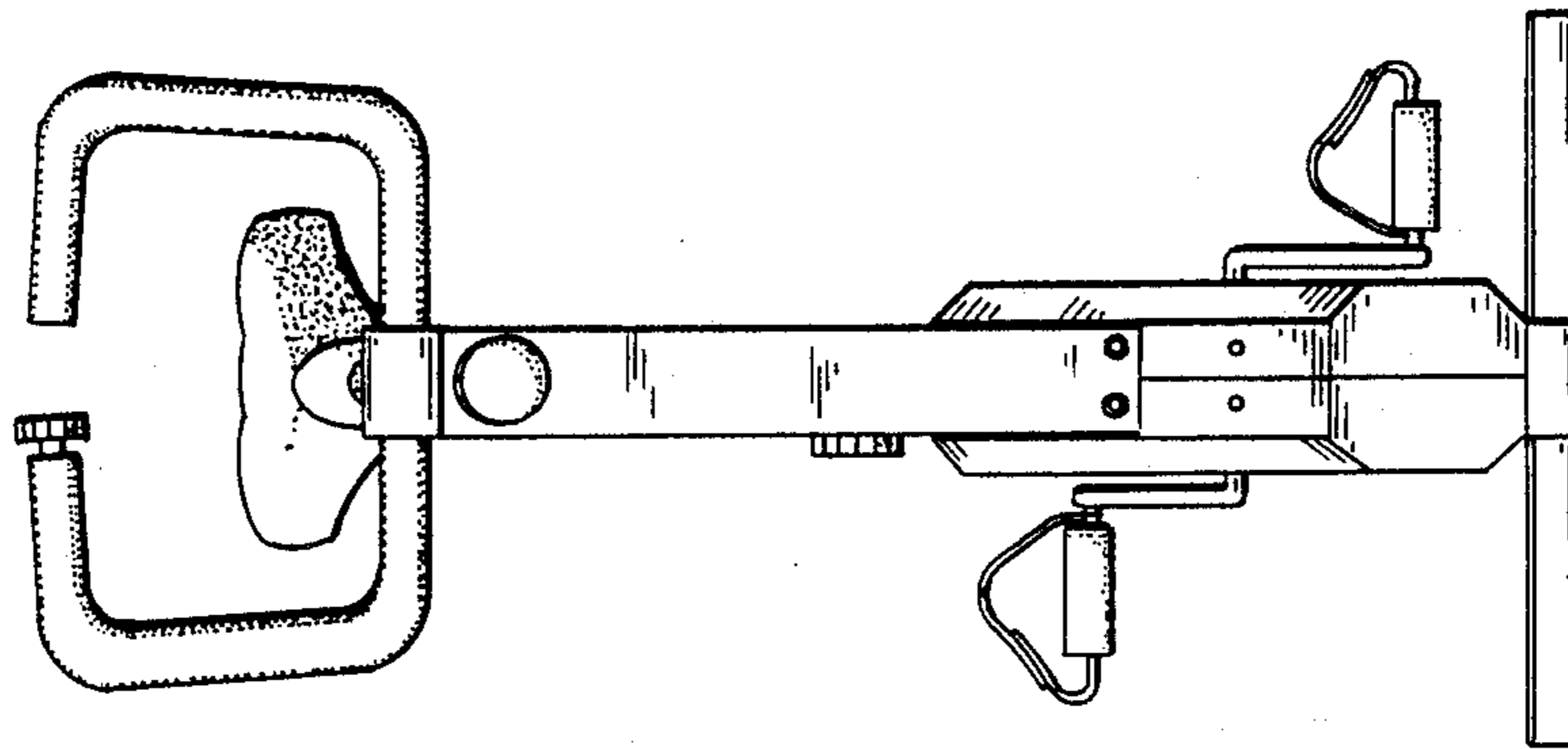


FIG. 2

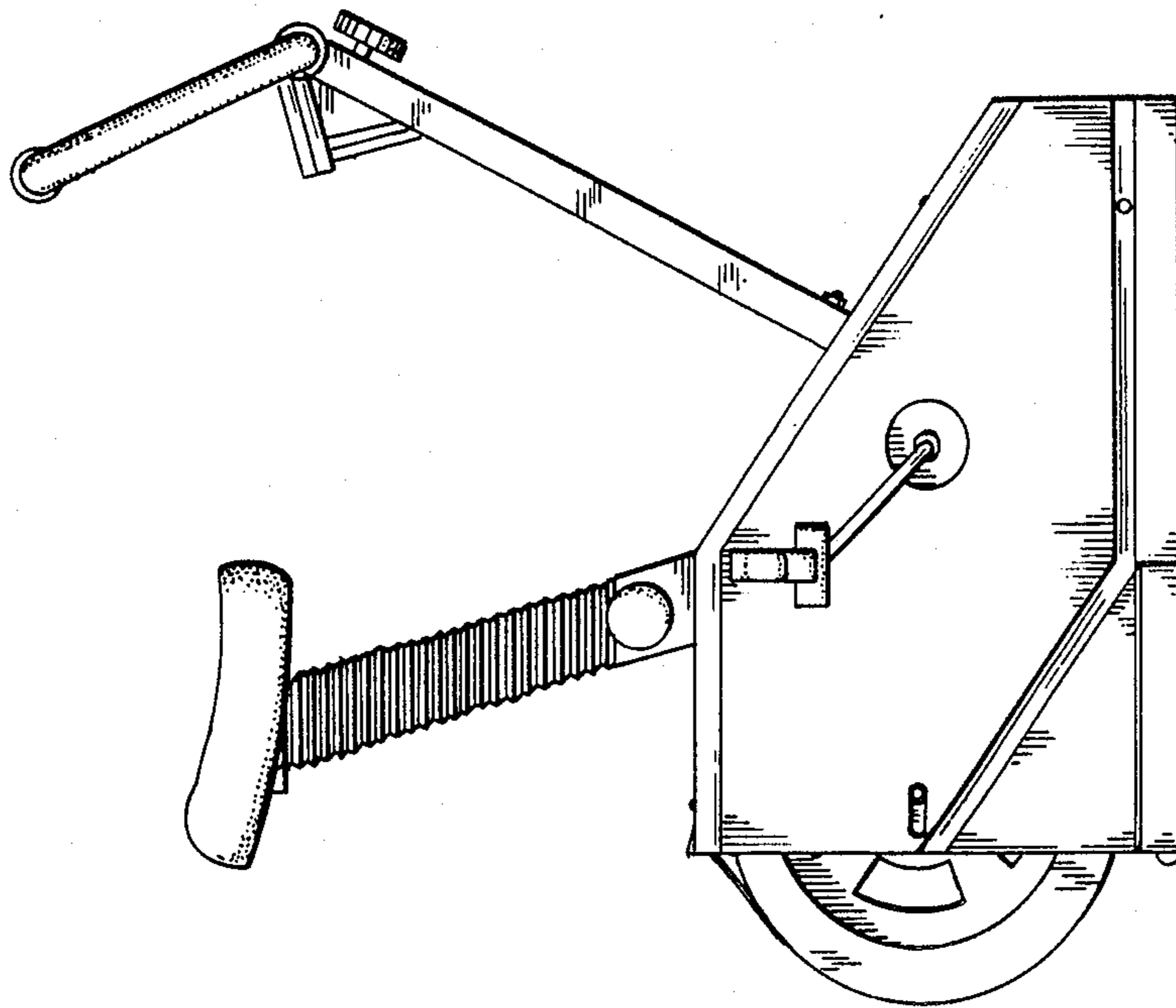


FIG. 5

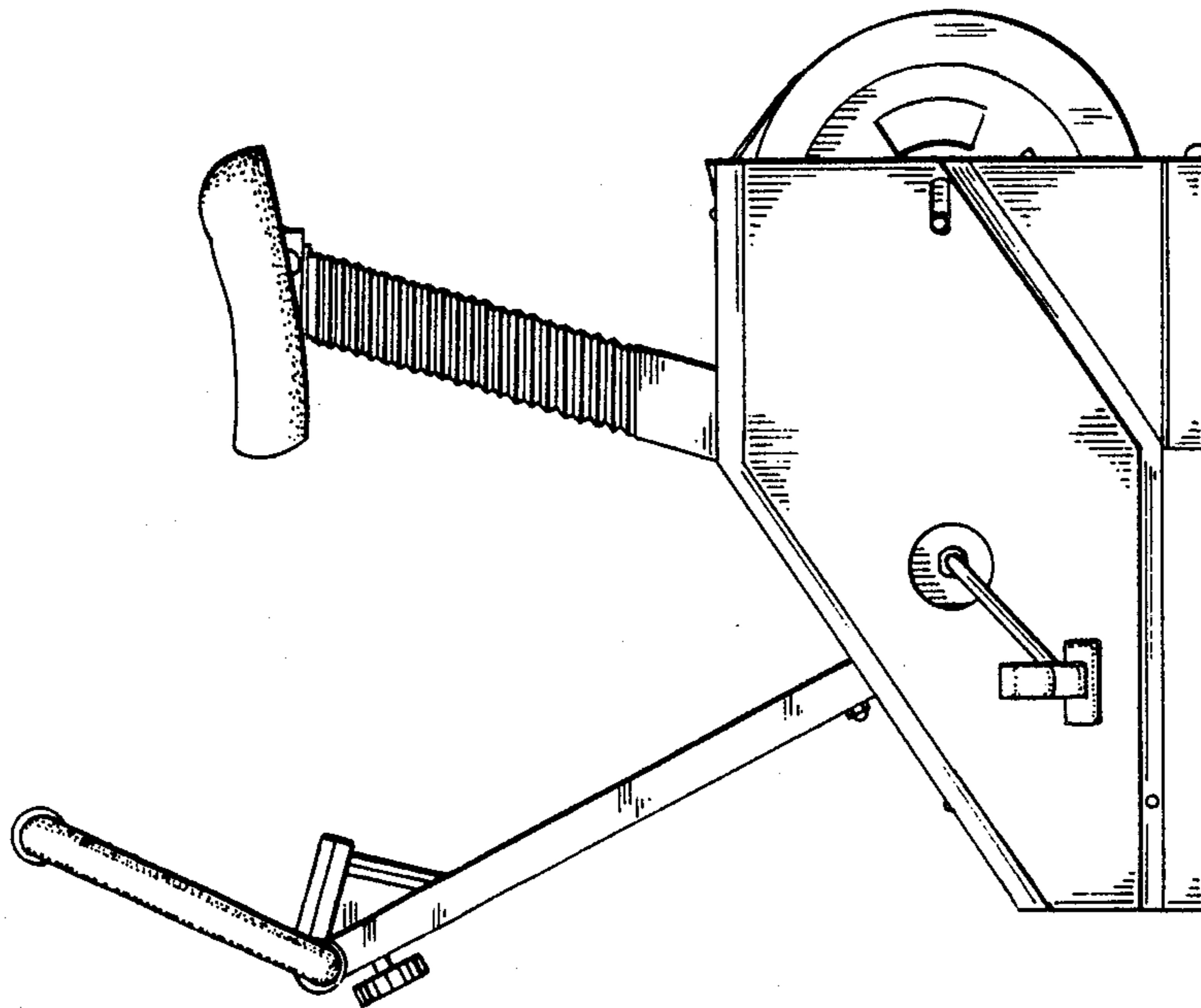


FIG. 4

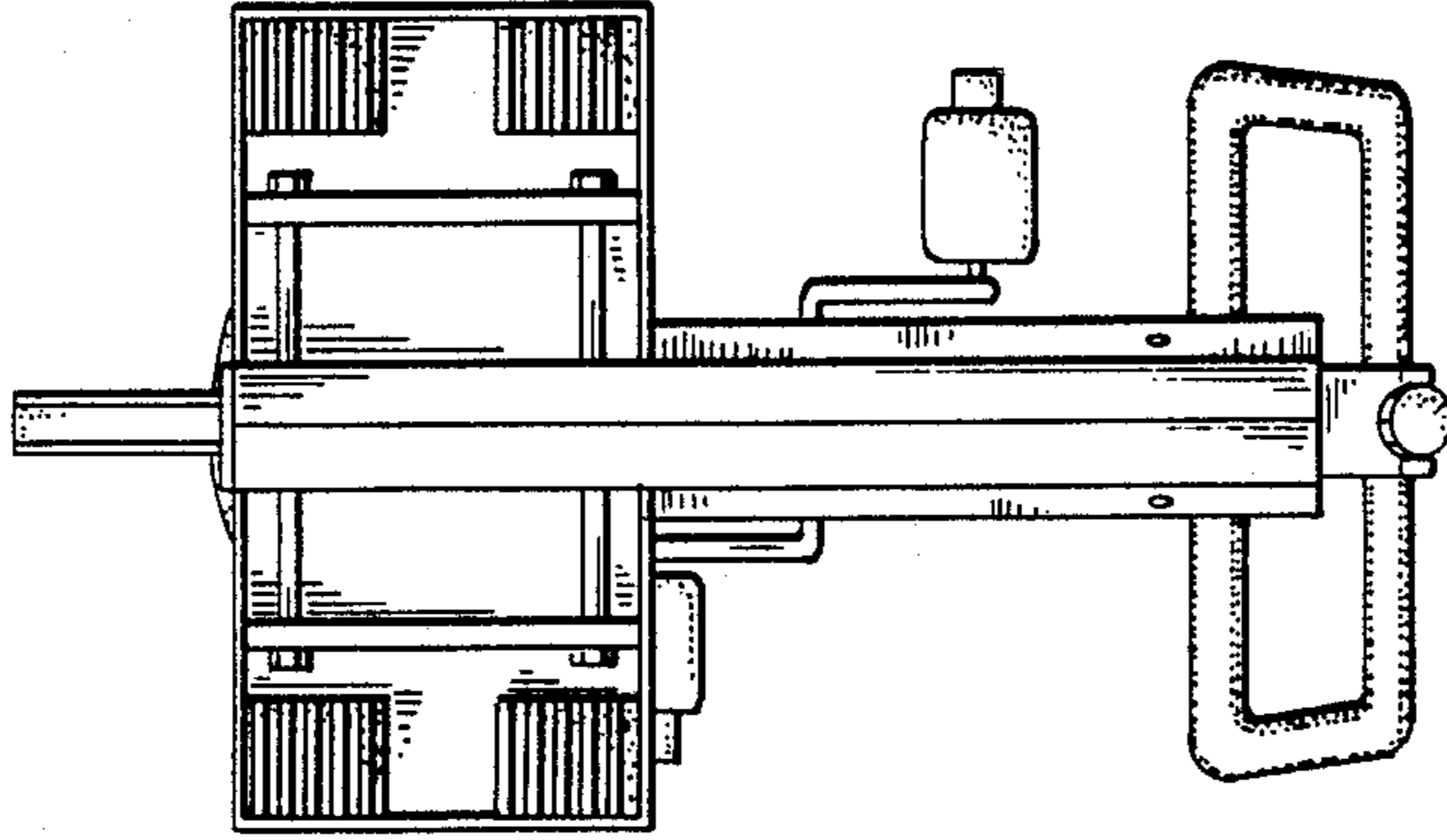


FIG. 7

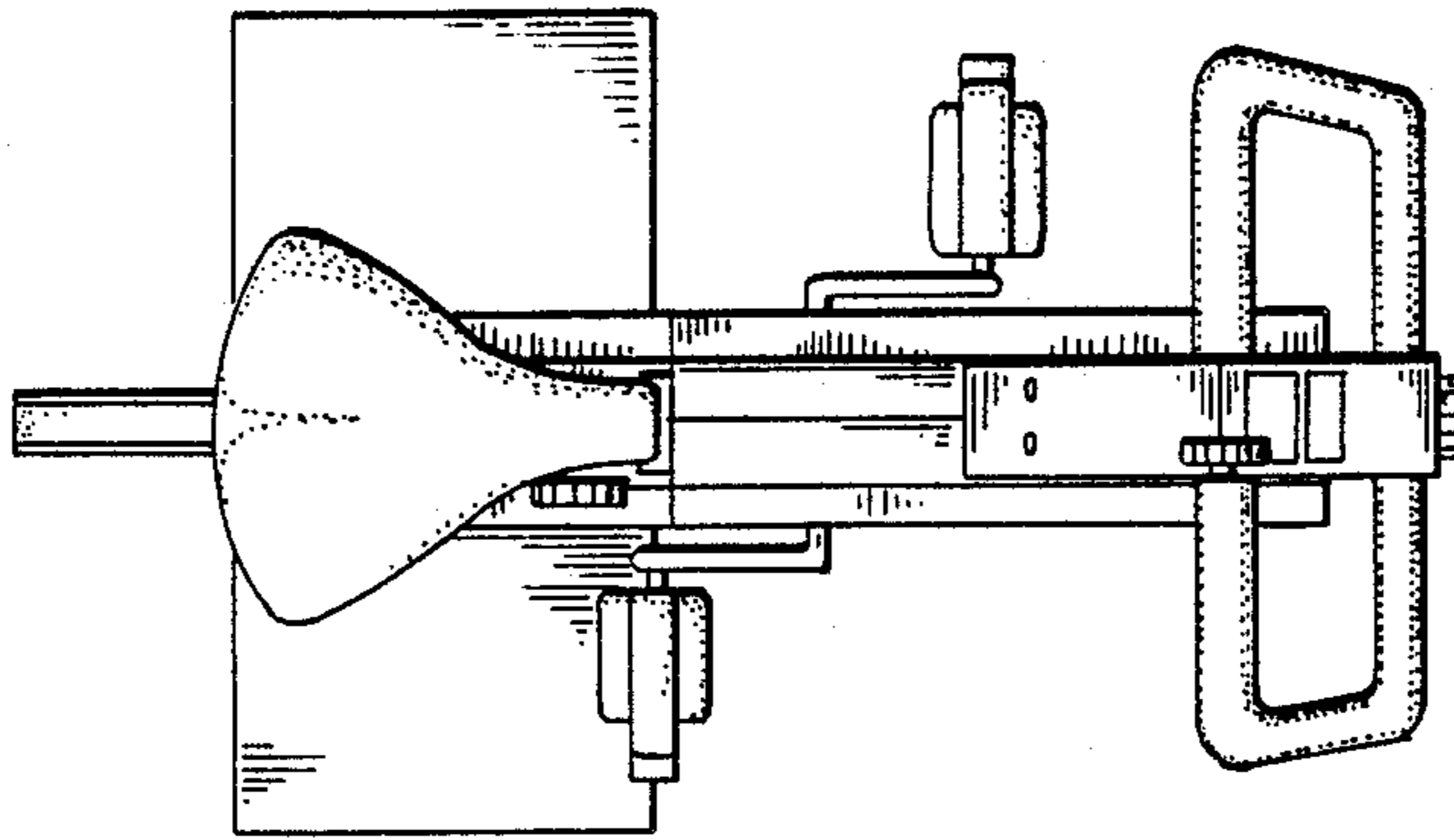


FIG. 6