

[54] CONSTRUCTION TOY DOOR BLOCK

[75] Inventor: Thomas E. Fish, Jr., Wickliffe, Ohio

[73] Assignee: The Little Tikes Company, Hudson, Ohio

[**] Term: 14 Years

[21] Appl. No.: 245,079

[22] Filed: Sep. 16, 1988

[52] U.S. Cl. D21/108

[58] Field of Search D21/59, 104, 107, 108, D21/109, 114, 115; 446/65, 70, 69, 85, 102, 104, 105, 108, 109, 110, 112, 114, 115, 116, 117, 122, 124, 127

[56] References Cited

U.S. PATENT DOCUMENTS

D. 224,029	6/1972	Gale et al.	D21/108
D. 274,444	6/1984	Symons	D21/108
D. 285,585	9/1986	Murdough et al. .	
D. 285,586	9/1986	Murdough, Jr. et al.	D21/108
D. 285,587	9/1986	Murdough, Jr. et al.	D21/108
1,894,061	1/1933	Sanders .	
2,057,942	10/1936	Fay	446/112
3,442,044	5/1969	Quercetti .	
3,701,214	10/1972	Sakamoto	D21/108
3,819,188	6/1974	Freedman .	
4,185,410	1/1980	Kristiansen	446/104
4,731,041	3/1988	Ziegler	446/104

FOREIGN PATENT DOCUMENTS

727517 10/1942 Fed. Rep. of Germany .

2716090 10/1978 Fed. Rep. of Germany .
1218588 12/1959 France .

OTHER PUBLICATIONS

P. 81, 1981 Product catalog, Learning Products Inc., 10845 Bavr Blvd., St. Louis, Missouri 63132. Publication date 1981.

P. 111, 1981-1982 ABC School Supply Inc., catalog, 6500 Peachtree Industrial Blvd., Norcross, GA 30071. Publication date 1981.

P. 61, 1984-85 Constructive Playthings catalog, 1227 East 119th Street, Grandview, Missouri 64030. Publication date 1984.

Primary Examiner—Charles A. Rademaker

Assistant Examiner—Alicia A. Farrell

Attorney, Agent, or Firm—Richard B. O'Planick

[57] CLAIM

The ornamental design for a construction toy door block, as shown and described.

DESCRIPTION

FIG. 1 is a front perspective view of a construction toy door block, with the door which fits into the center of the construction toy door block exploded out, embodying my new design.

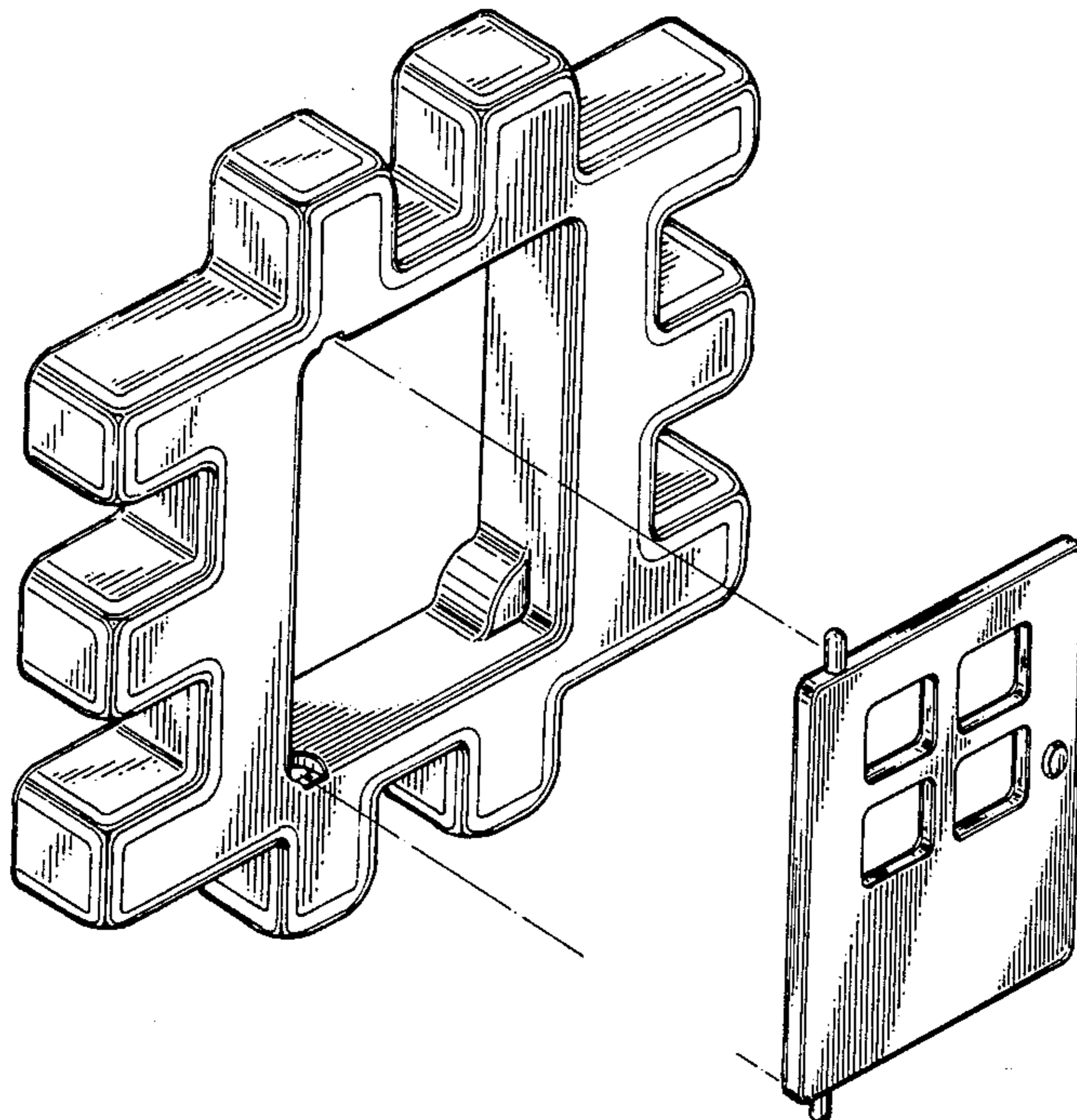
FIG. 2 is a front perspective view thereof;

FIG. 3 is a front elevational view thereof.

FIG. 4 is a rear elevational view thereof.

FIG. 5 is a top plan view thereof; the bottom plan view being a mirror image.

FIG. 6 is a right side elevational view thereof; the opposite side being a mirror image.



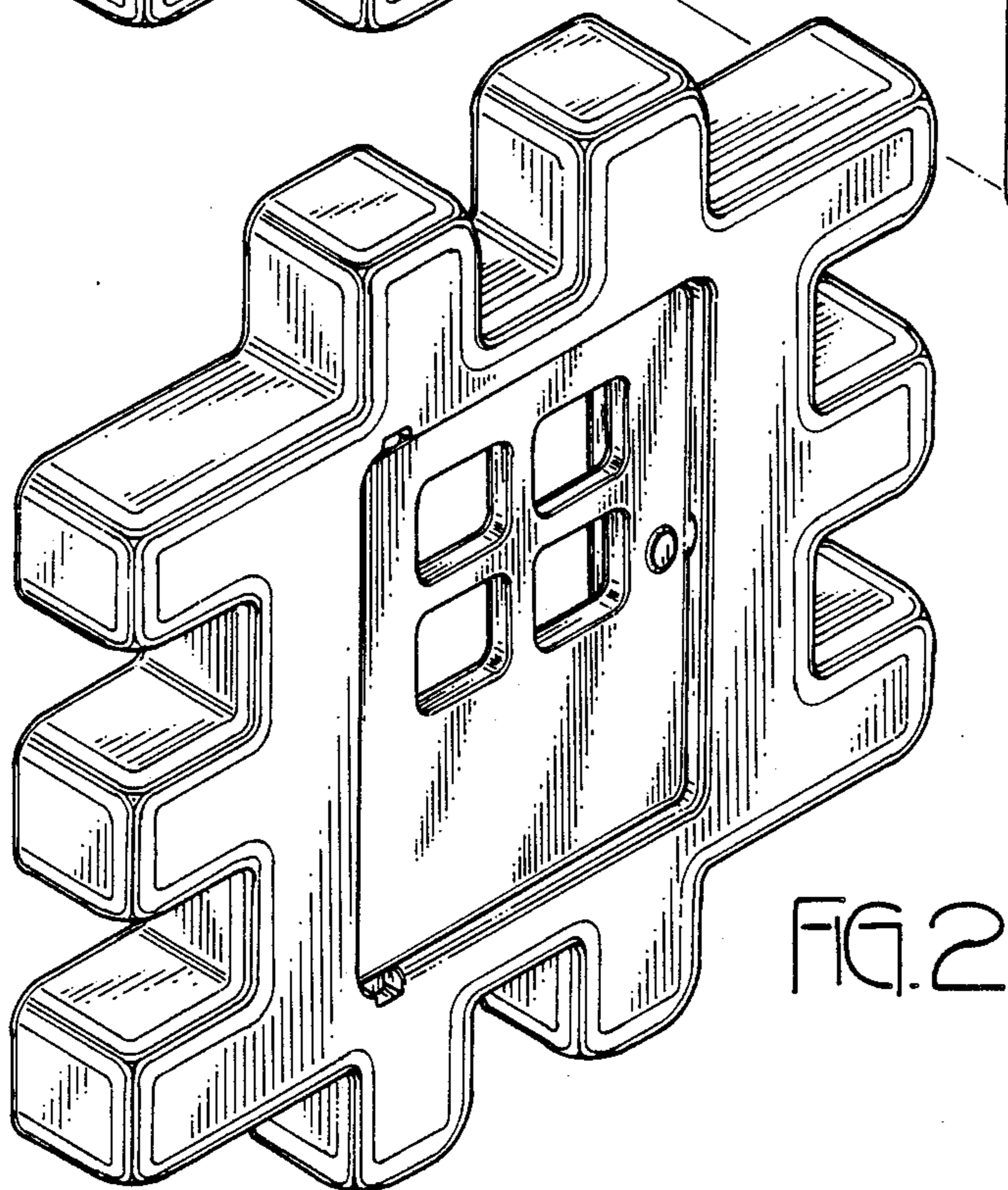
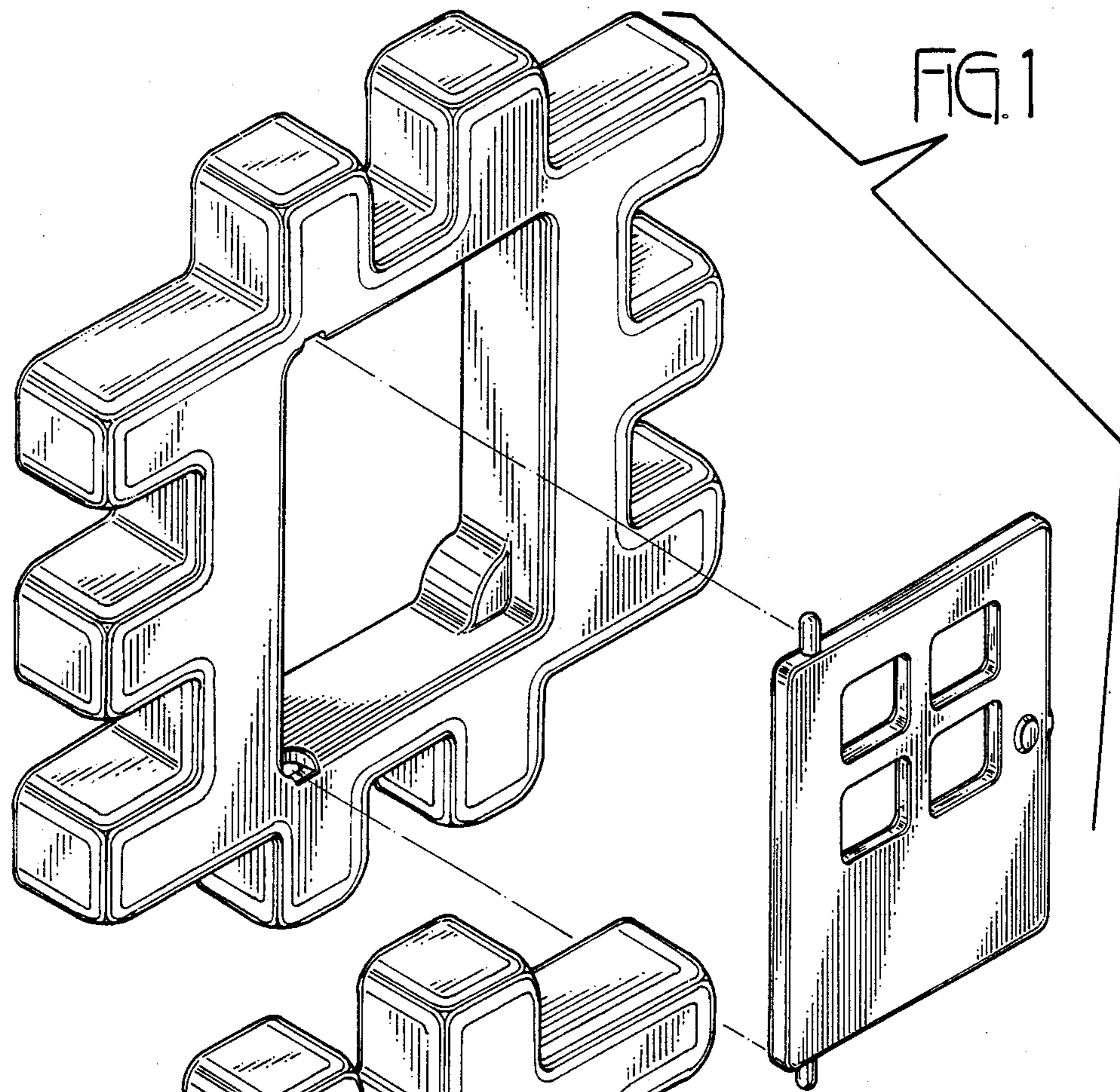




FIG. 5

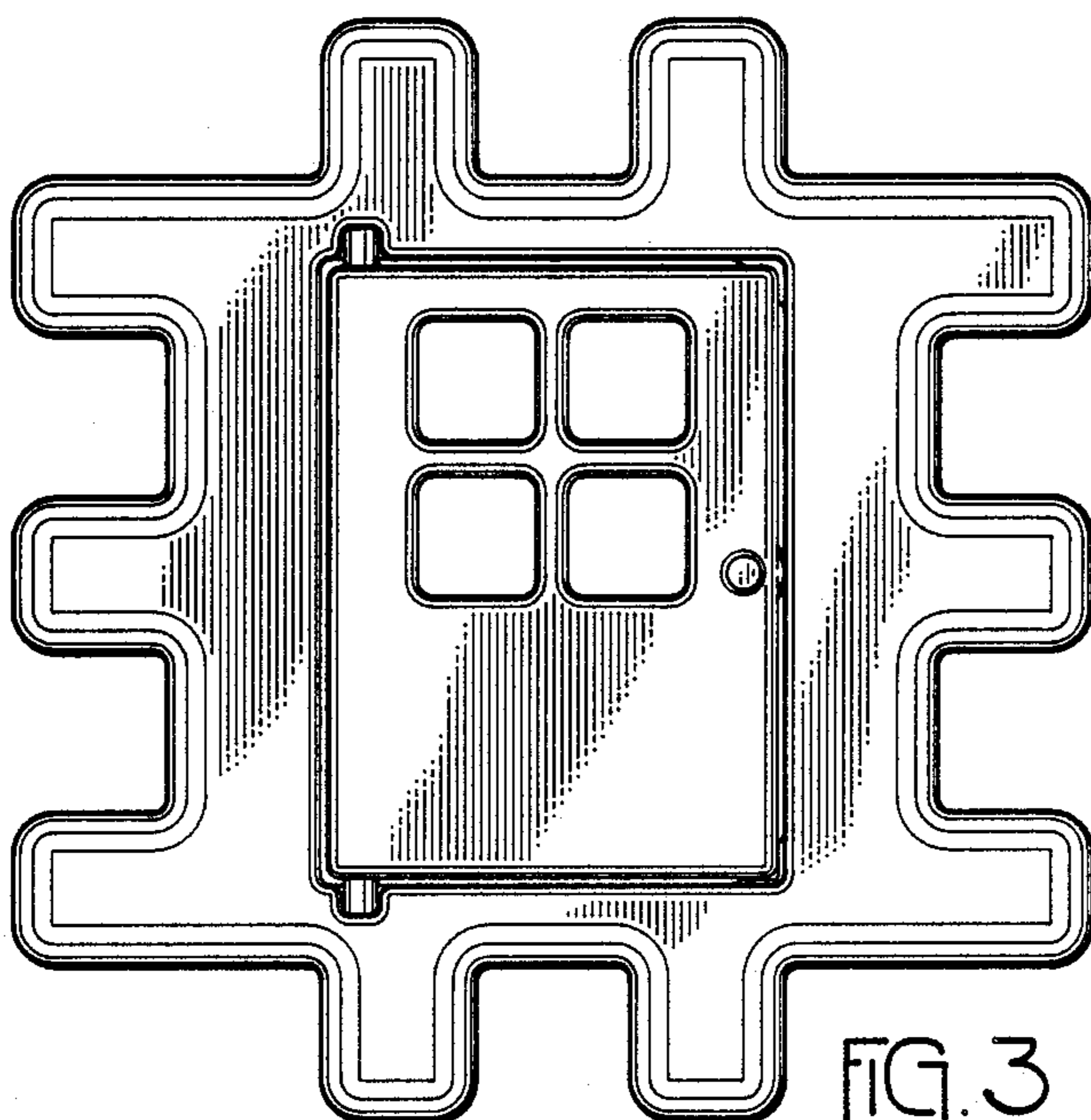


FIG. 3

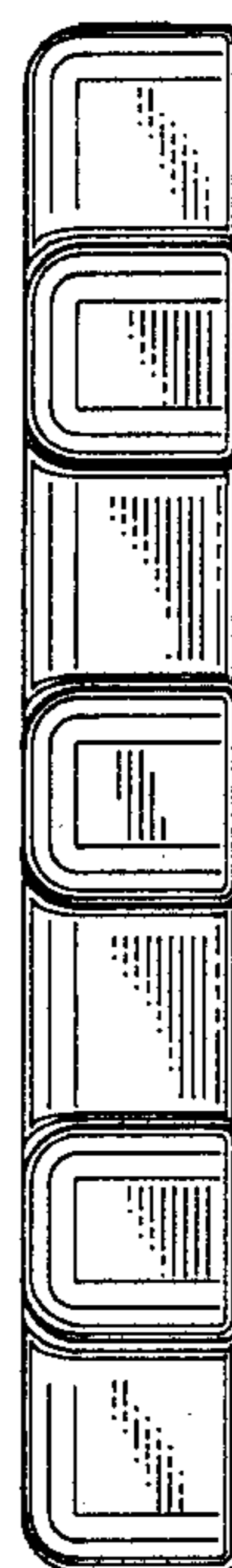


FIG. 6

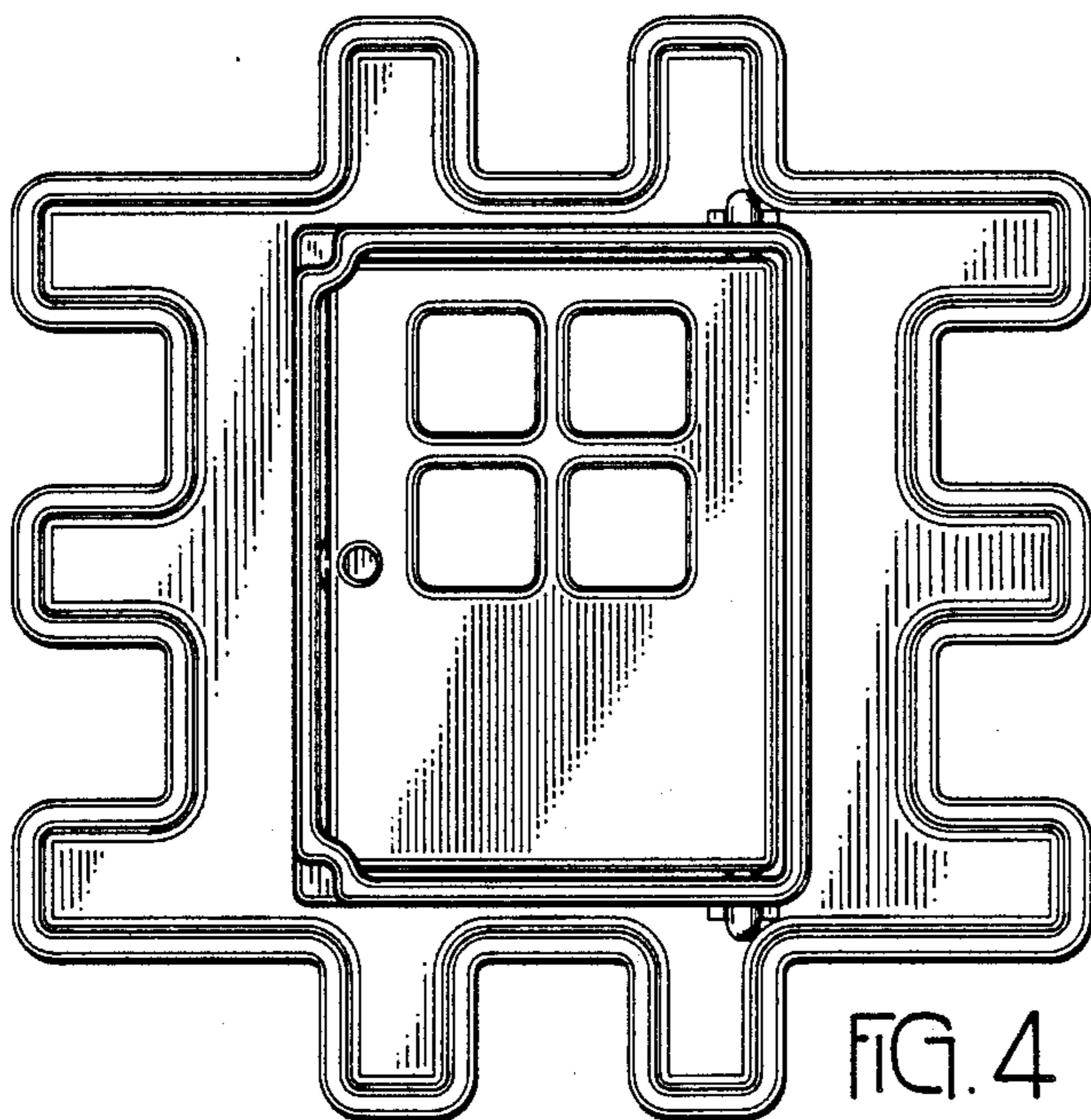


FIG. 4