

[54] **BEER TAP REPLICA ADVERTISING UNIT**
 [76] **Inventor: Steve E. Holloway, 1202 Land Rush Dr., Arlington, Tex. 76012**
 [**] **Term: 14 Years**
 [21] **Appl. No.: 871,671**
 [22] **Filed: Jun. 5, 1986**
 [52] **U.S. Cl. D20/37**
 [58] **Field of Search D6/511; D10/109, 113; D20/10, 12, 17, 19, 21, 24, 25, 30, 31, 33, 37, 41; 40/299, 308, 448, 473, 538, 545, 564, 571, 584, 593, 597, 603, 606, 607; 248/469, 475.1**

4,265,402 5/1981 Tsai 239/20
Primary Examiner—James M. Gandy
Assistant Examiner—Lisa Lichtenstein
Attorney, Agent, or Firm—Norman B. Rainer

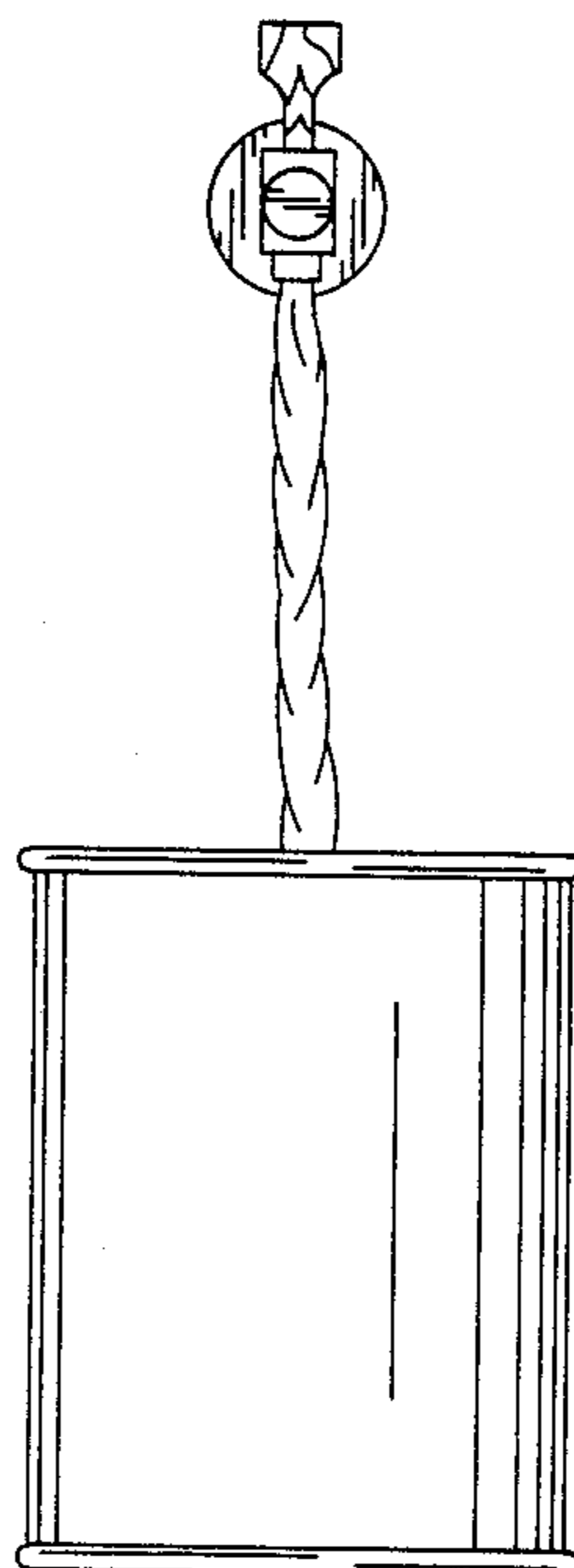
[57] **CLAIM**

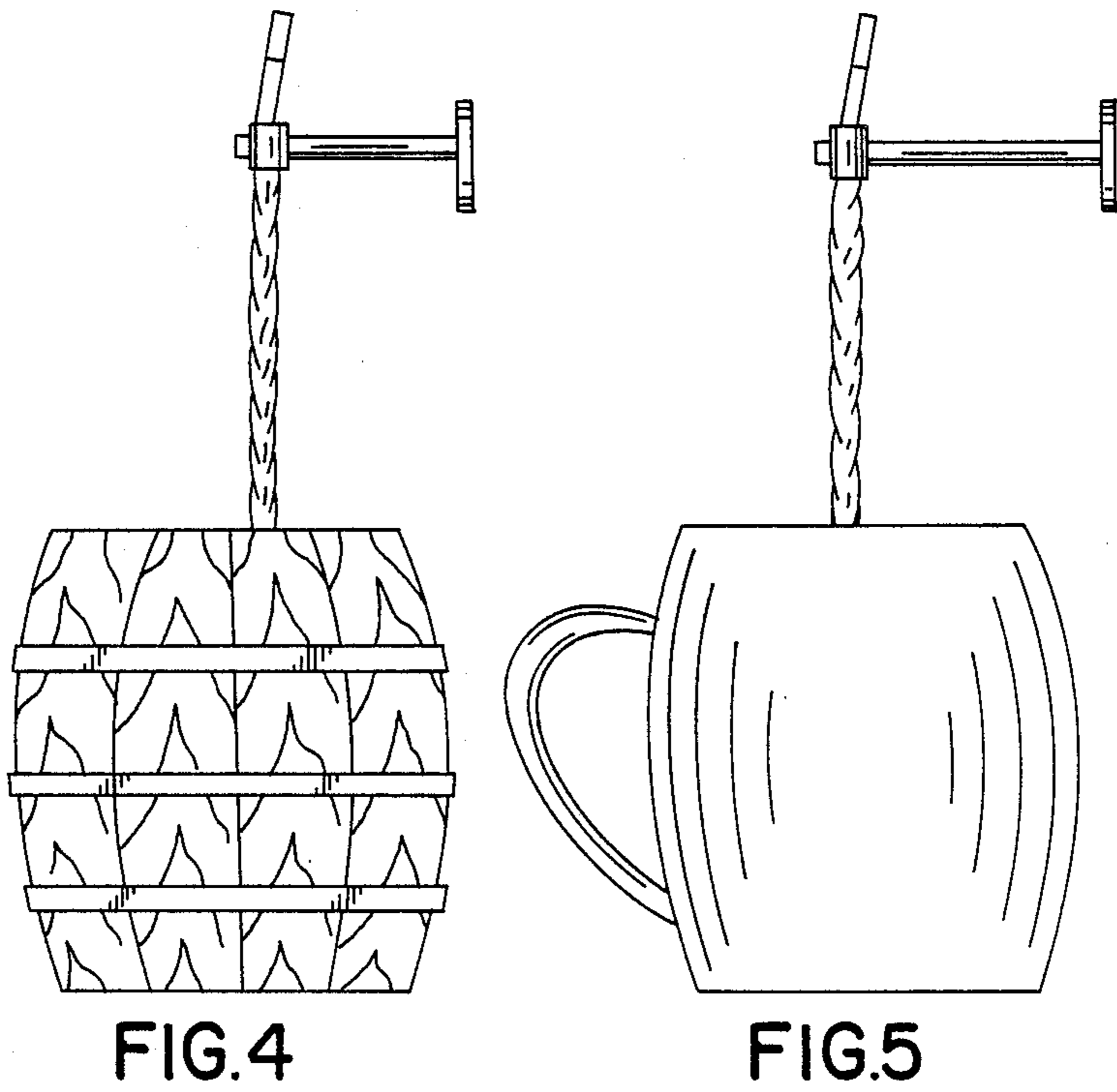
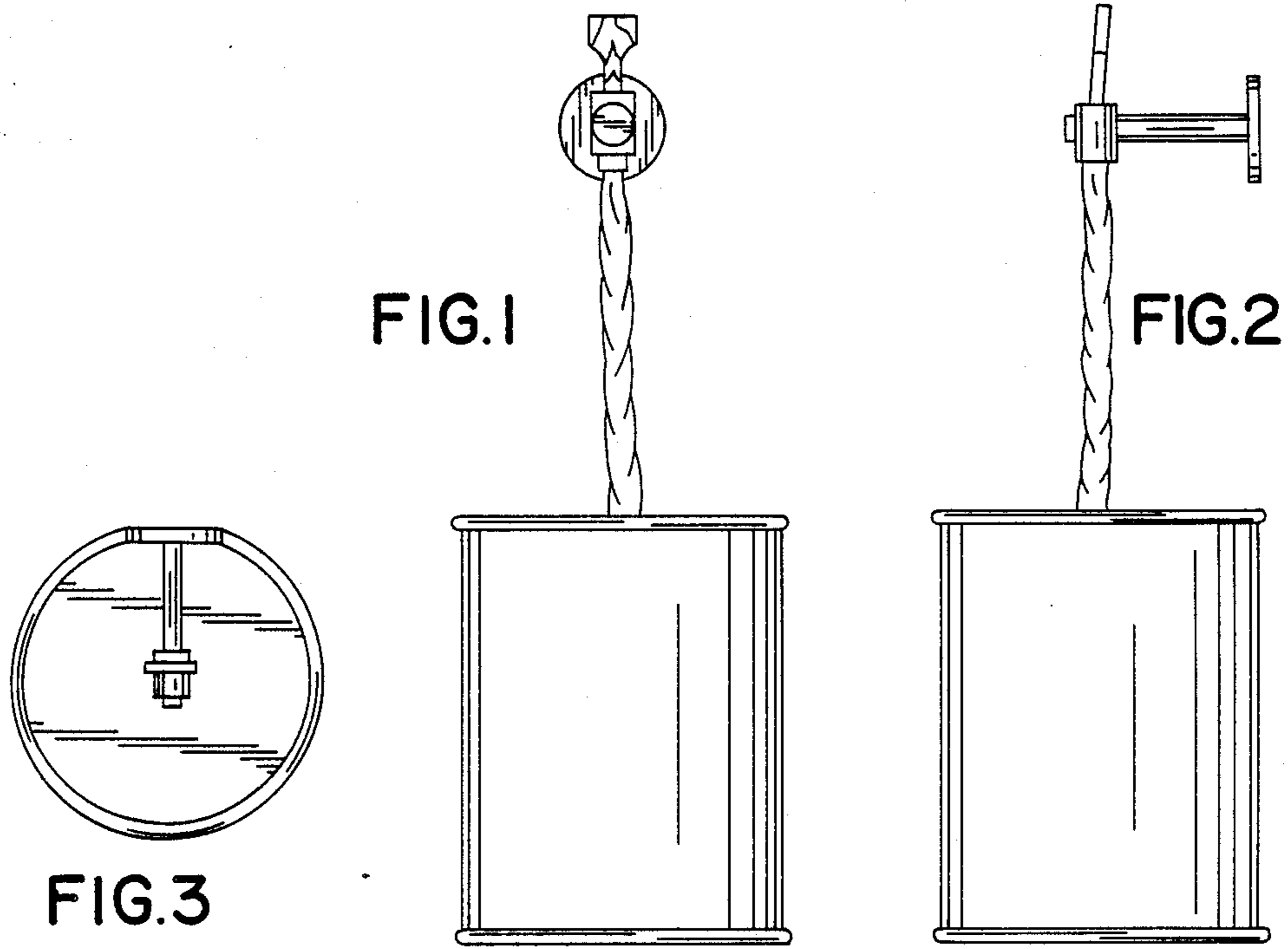
The ornamental design for a beer tap replica advertising unit, as shown and described.

DESCRIPTION

FIG. 1 is a front elevation view of a beer tap replica advertising unit showing my new design;
 FIG. 2 is a side elevation view thereof, the opposite side being a mirror image of that shown;
 FIG. 3 is a top plan view thereof;
 FIG. 4 is a side elevation view of a beer tap replica advertising unit showing a second embodiment of my new design, the opposite side being a mirror image of that shown;
 FIG. 5 is a side elevation view of a beer tap replica advertising unit, showing a third embodiment of my new design, the opposite side being a mirror image of that shown;
 FIG. 6 is a bottom plan view of FIG. 1;
 FIG. 7 is a bottom plan view of FIG. 4;
 FIG. 8 is a bottom plan view of FIG. 5;
 FIG. 9 is a rear elevation view of FIG. 1;
 FIG. 10 is a rear elevation view of FIG. 4;
 FIG. 11 is a rear elevation view of FIG. 5;
 FIG. 12 is a top plan view of FIG. 4;
 FIG. 13 is a top plan view of FIG. 5;
 FIG. 14 is a front elevation view of FIG. 4; and
 FIG. 15 is a front elevation view of FIG. 5.

[56] **References Cited**
U.S. PATENT DOCUMENTS
 D. 16,734 6/1886 Burnell et al. D20/37
 D. 40,239 8/1909 Moray D20/37
 D. 57,756 4/1921 Wilson D20/37
 D. 90,522 8/1933 Blumenthal D20/37
 D. 91,355 1/1934 Hammar D20/37
 D. 91,827 3/1934 Jaehnigen et al. D20/37
 D. 94,360 1/1935 Rose D20/37
 D. 124,424 12/1940 Austin D20/37
 D. 183,316 8/1958 Karos D20/37
 D. 215,916 11/1969 Forman D20/10
 996,929 7/1911 Kempinski 40/406
 1,064,873 6/1913 Thowless 40/406
 1,536,188 5/1925 Brown 40/606
 1,672,910 6/1928 Saalburg 40/406
 1,712,487 5/1929 Avirgan 40/406
 1,990,230 2/1935 Gray 40/126
 3,120,068 2/1964 Winther D20/37





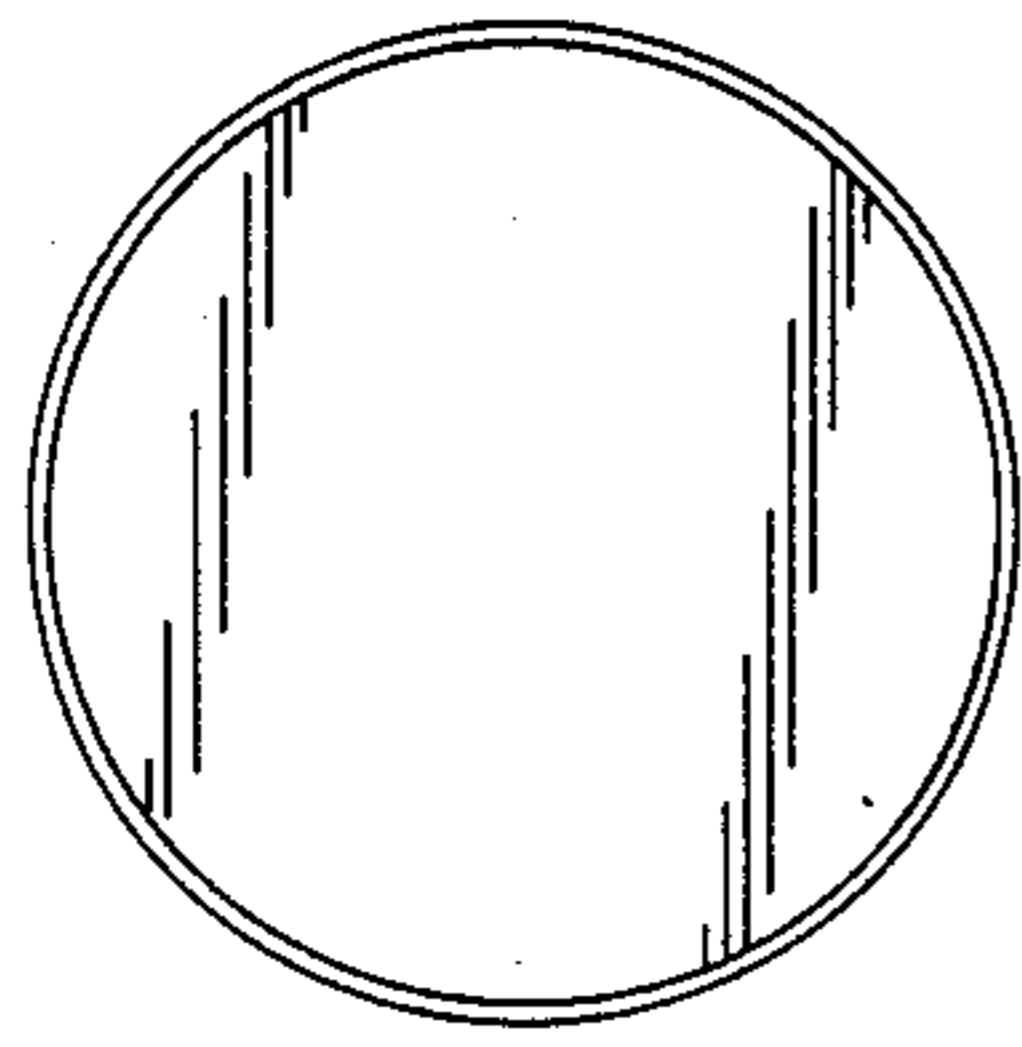


FIG. 6

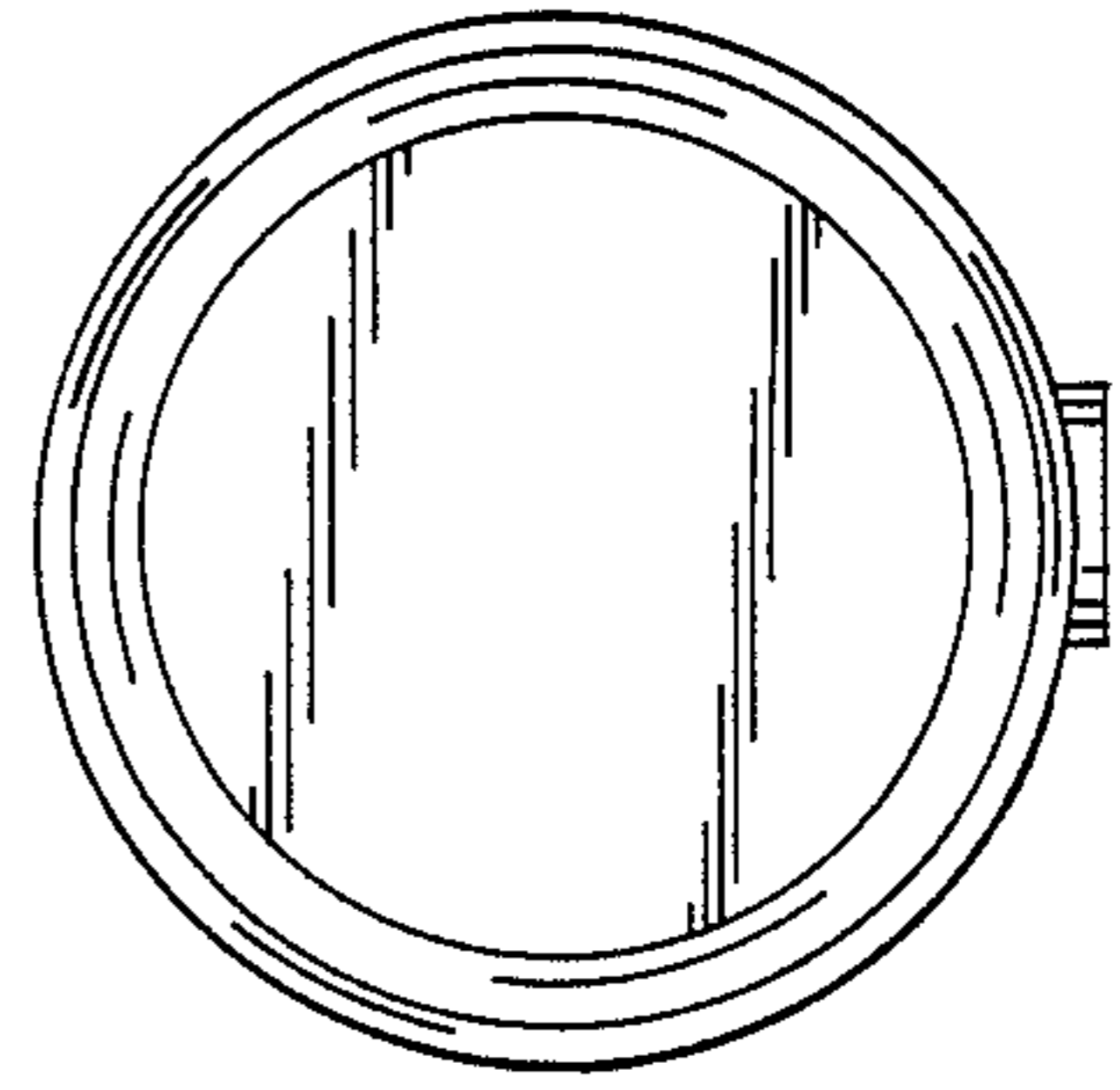


FIG. 7

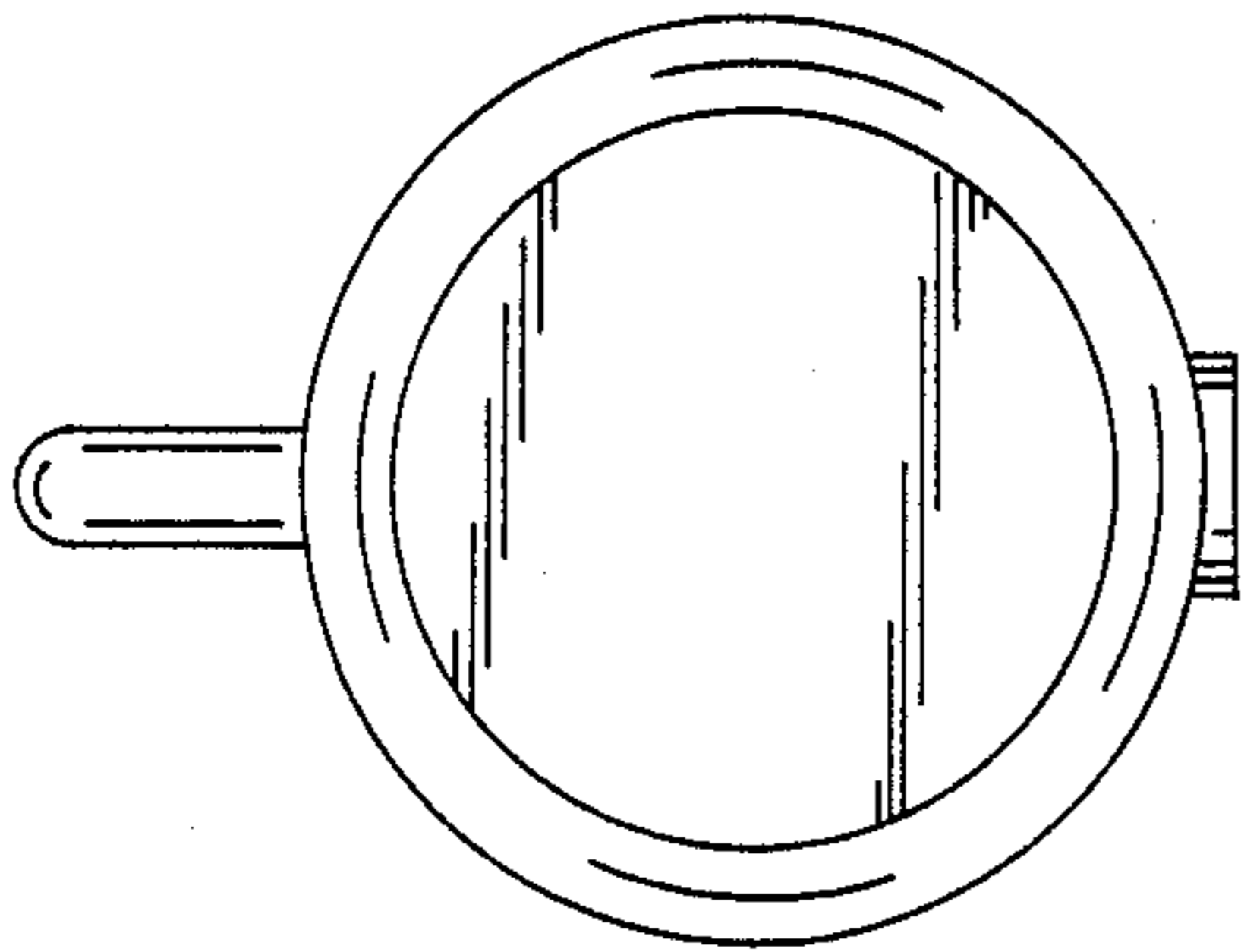


FIG. 8

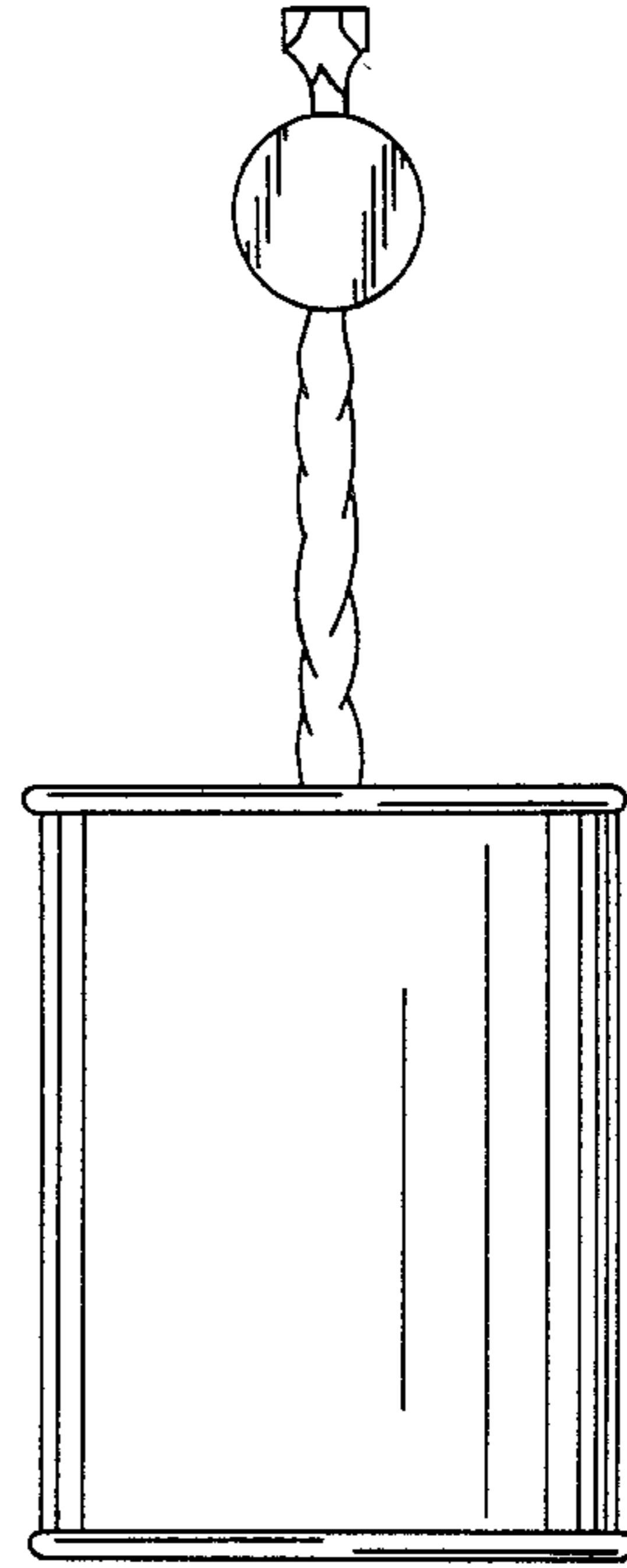


FIG. 9

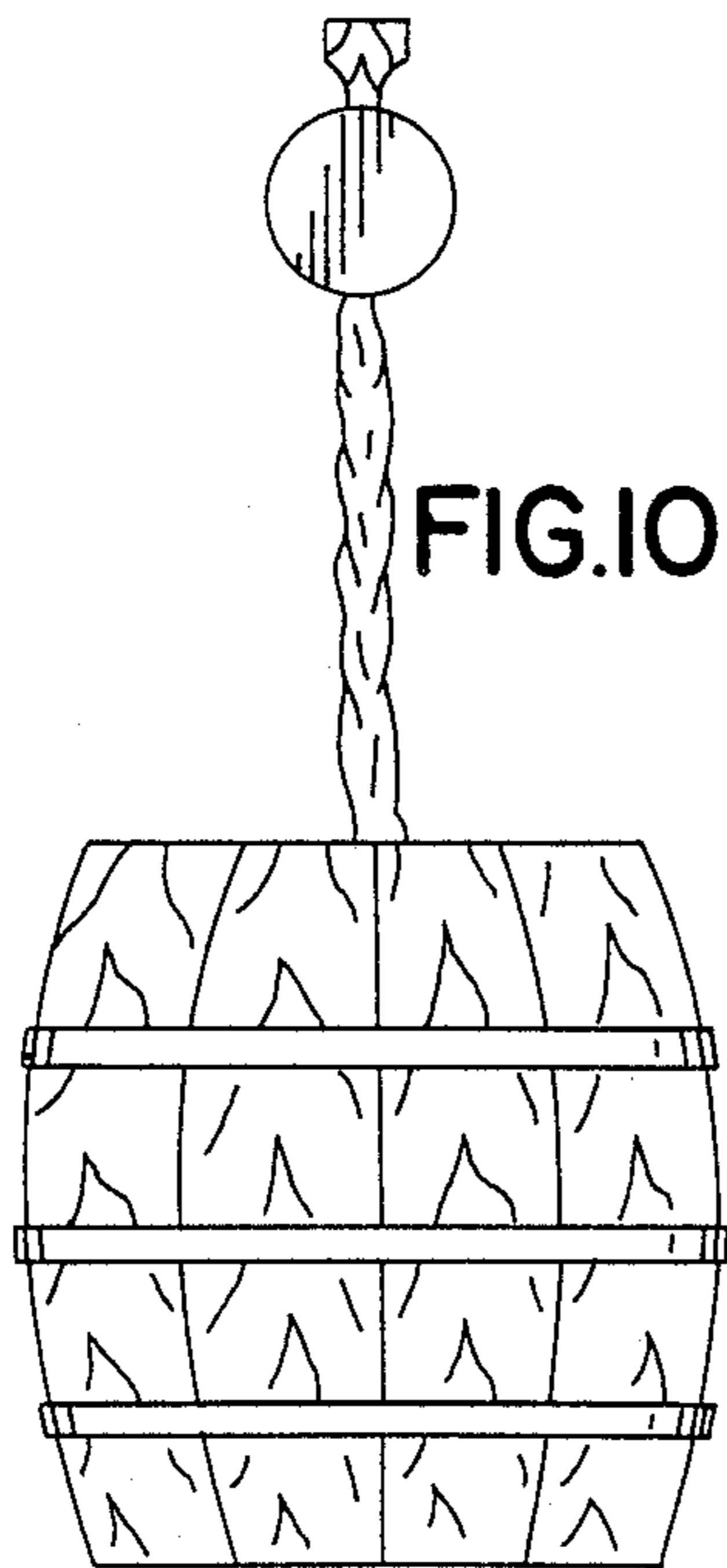


FIG. 10

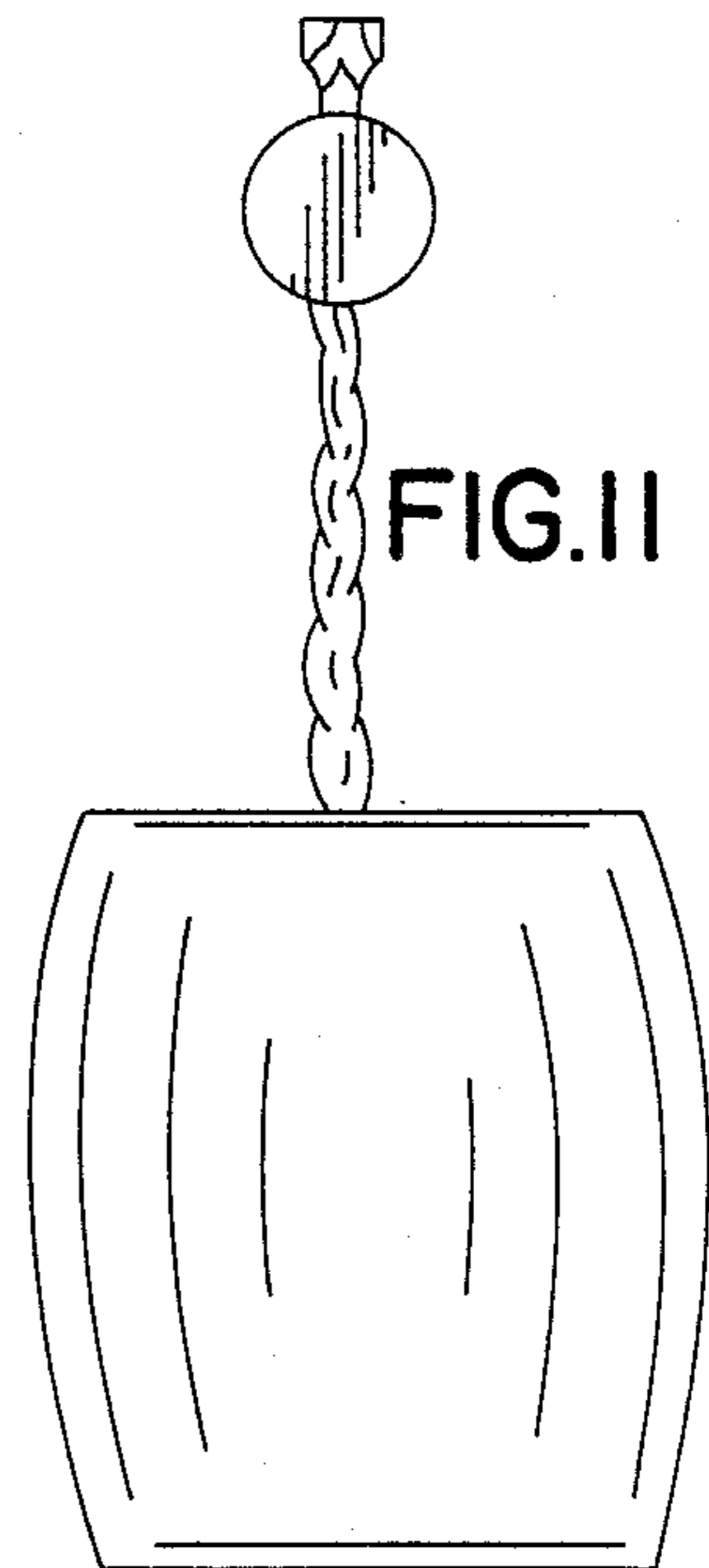


FIG. 11

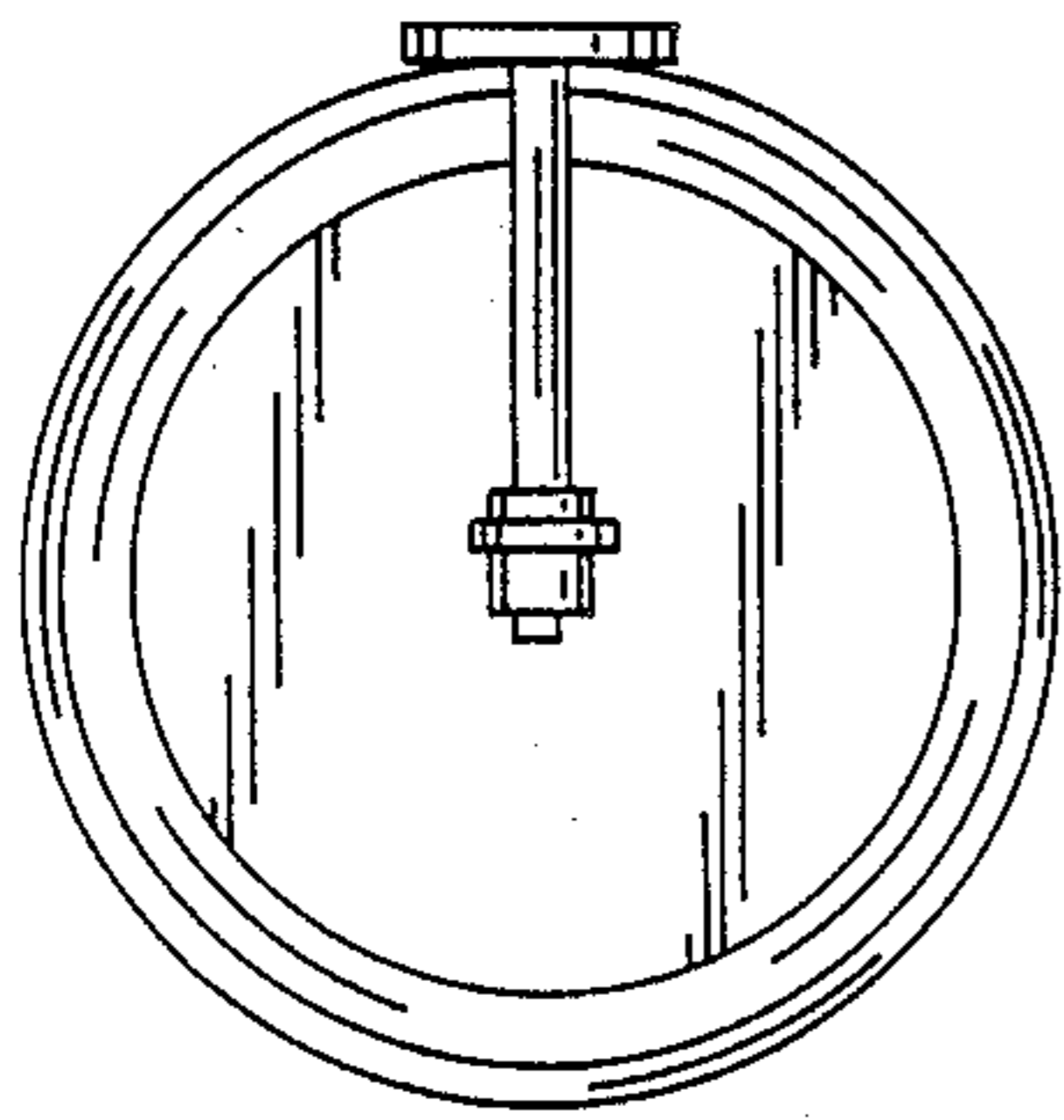


FIG. 12

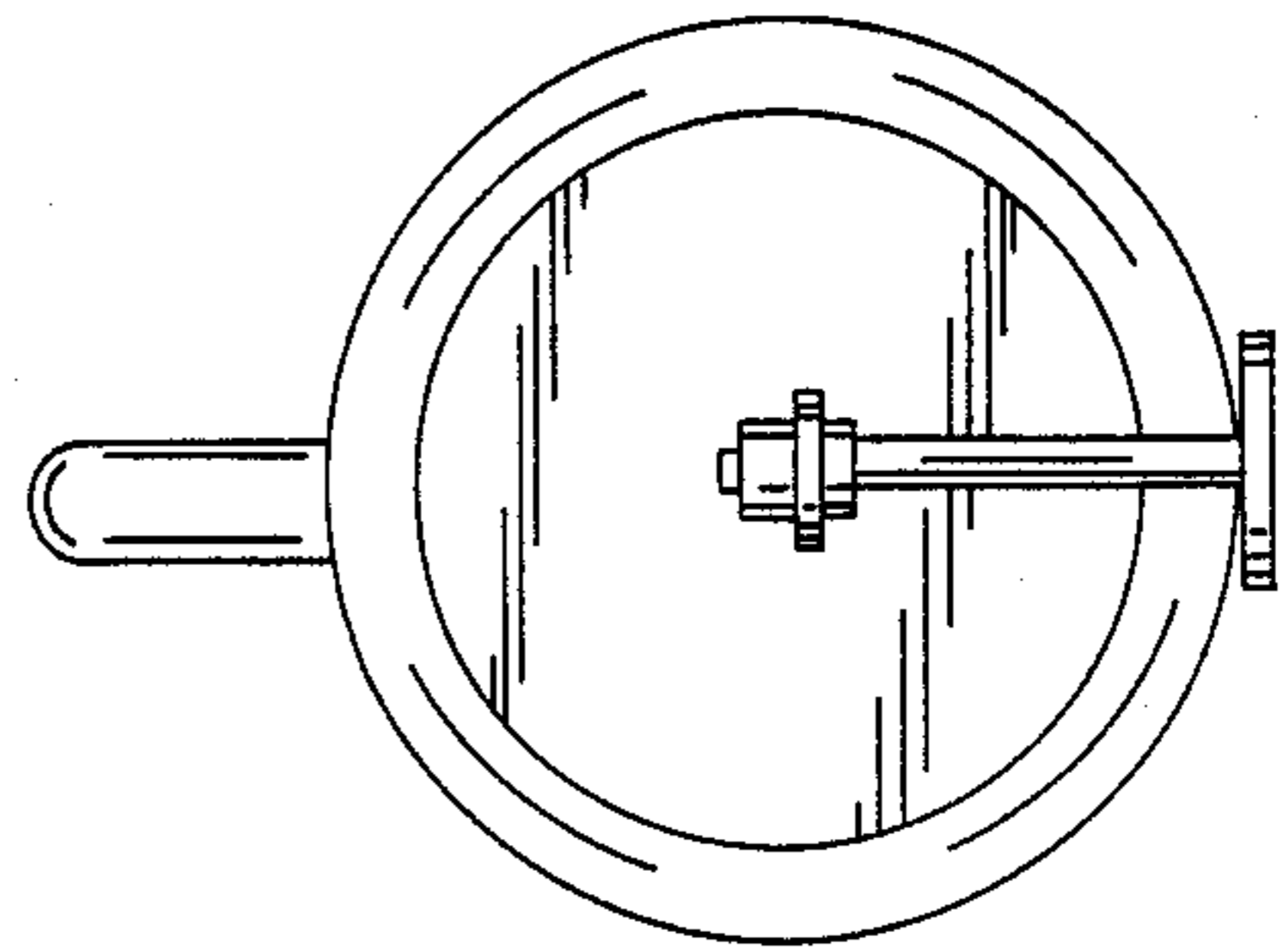


FIG. 13

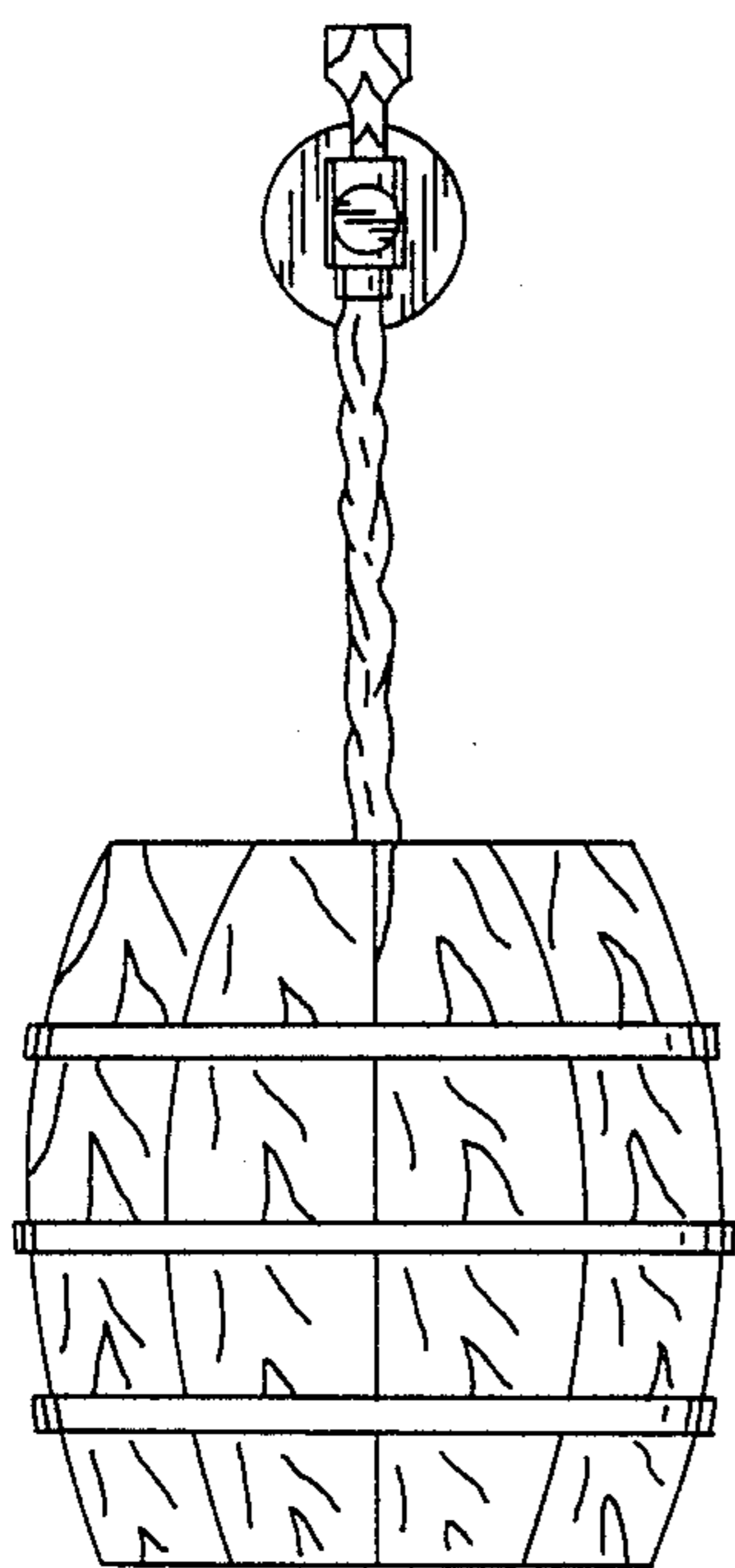


FIG. 14

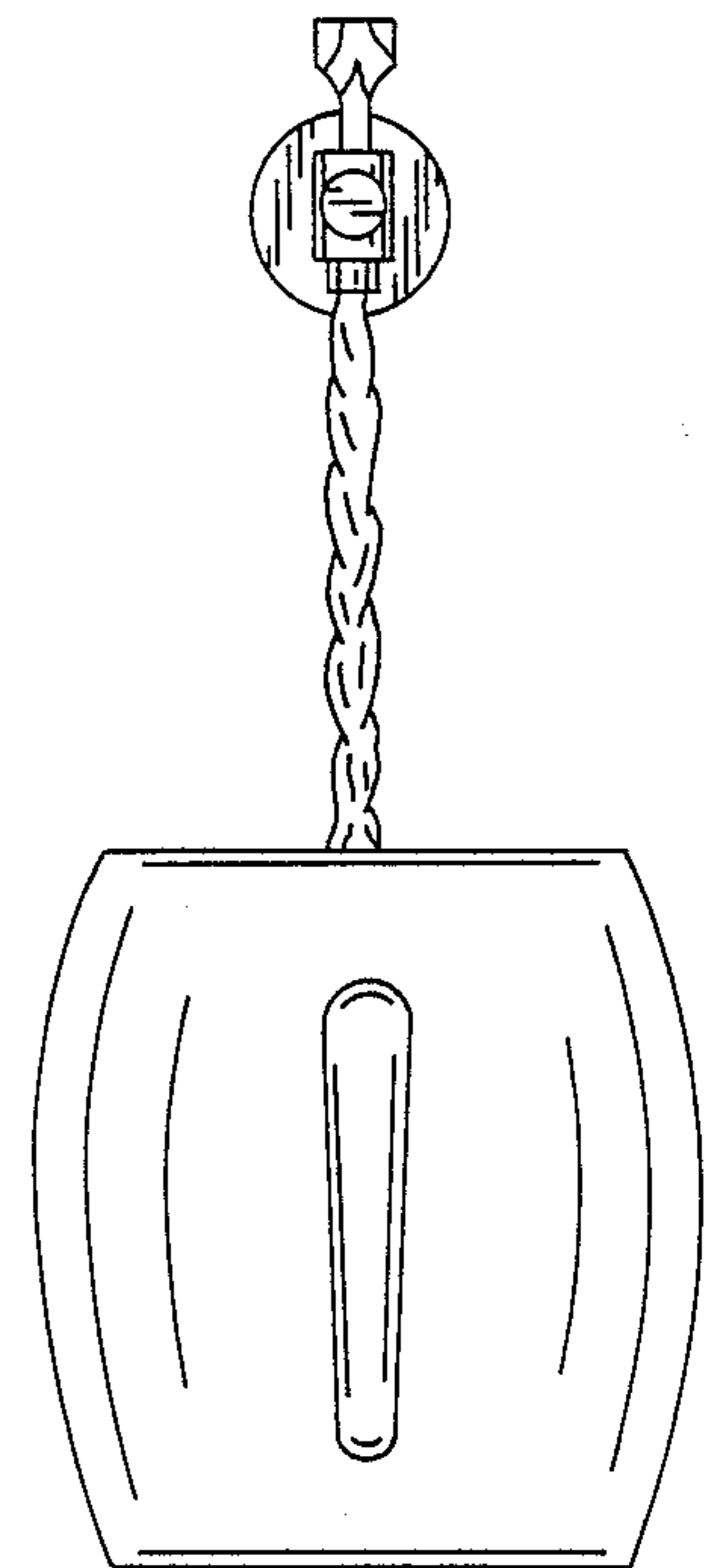


FIG. 15