

**United States Patent** [19]  
**Gecchelin**

[11] **Patent Number: Des. 308,228**  
[45] **Date of Patent: \*\* May 29, 1990**

[54] **DESK FILE**

[75] **Inventor: Bruno Gecchelin, Milan, Italy**

[73] **Assignee: Fratelli Guzzini S.p.A., Recanati, Italy**

[\*\*] **Term: 14 Years**

[21] **Appl. No.: 73,418**

[22] **Filed: Jul. 15, 1987**

[30] **Foreign Application Priority Data**

Jan. 20, 1987 [IT] Italy ..... 20550/87[U]

[52] **U.S. Cl. .... D19/90; D19/75; D19/86; D19/95**

[58] **Field of Search ..... D19/35, 36, 65, 75, D19/86, 90, 91, 95; 211/45, 50, 55, 10**

[56] **References Cited**

**U.S. PATENT DOCUMENTS**

D. 96,826 9/1935 Estrella ..... D19/90 X

D. 172,528 6/1954 Zipkin ..... D19/90 X  
D. 201,411 6/1965 Tucker ..... D19/90  
D. 250,960 1/1979 Bitner, Jr. et al. .... D19/90  
D. 257,680 12/1980 Bell ..... D19/90  
4,011,952 3/1977 Smith et al. .... 211/50 X

*Primary Examiner*—Nelson C. Holtje  
*Assistant Examiner*—Martha Thompson  
*Attorney, Agent, or Firm*—Hedman, Gibson, Costigan & Hoare

[57] **CLAIM**

The ornamental design for a desk file, as shown and described.

**DESCRIPTION**

FIG. 1 is a perspective view of a desk file showing my new design;  
FIG. 2 is a bottom plan view on a reduced scale;  
FIG. 3 is a front elevational view of FIG. 2;  
FIG. 4 is a side elevational view of FIG. 2, the opposite side being a mirror image thereof; and  
FIG. 5 is a top plan view of FIG. 2.

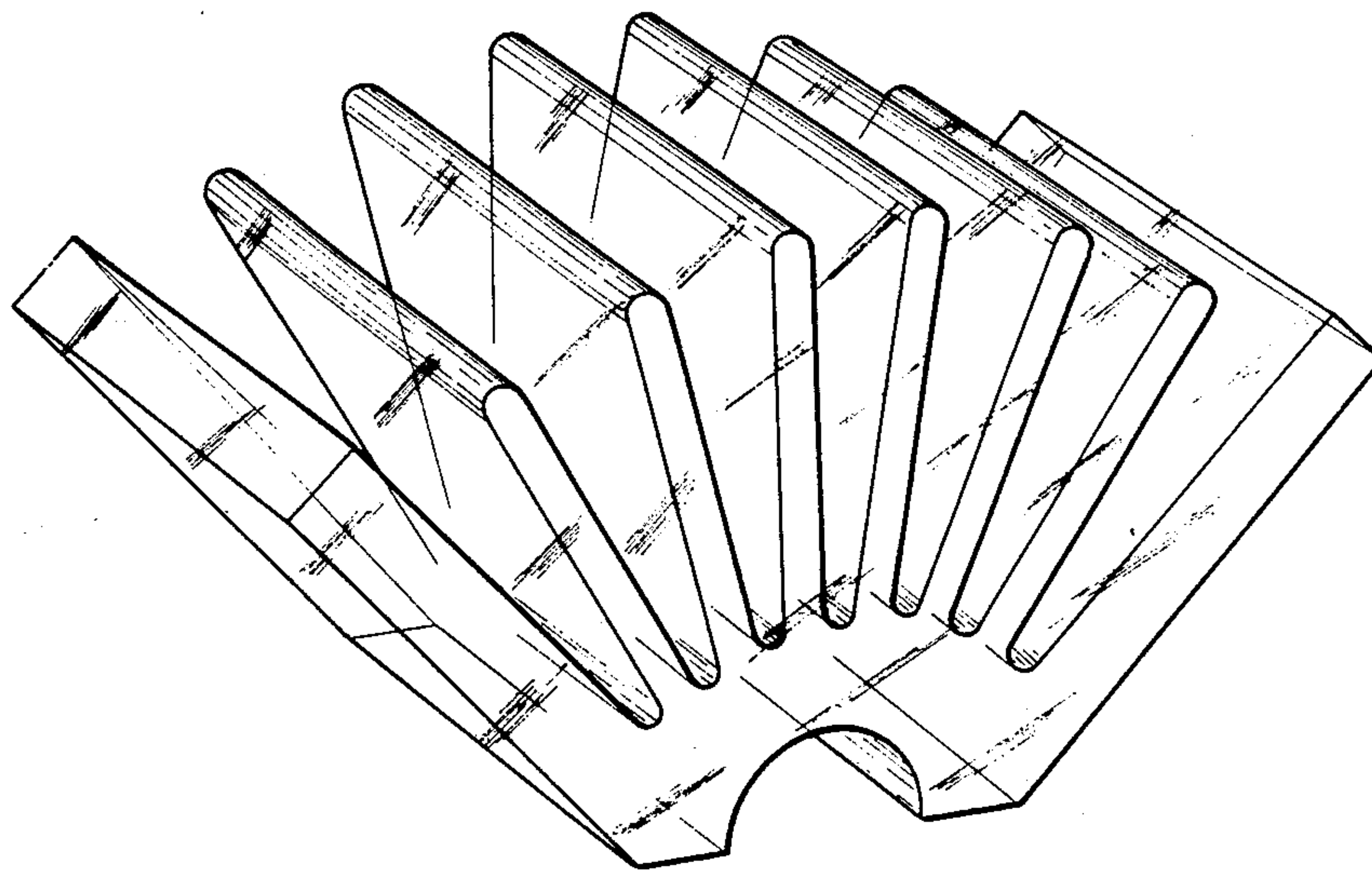
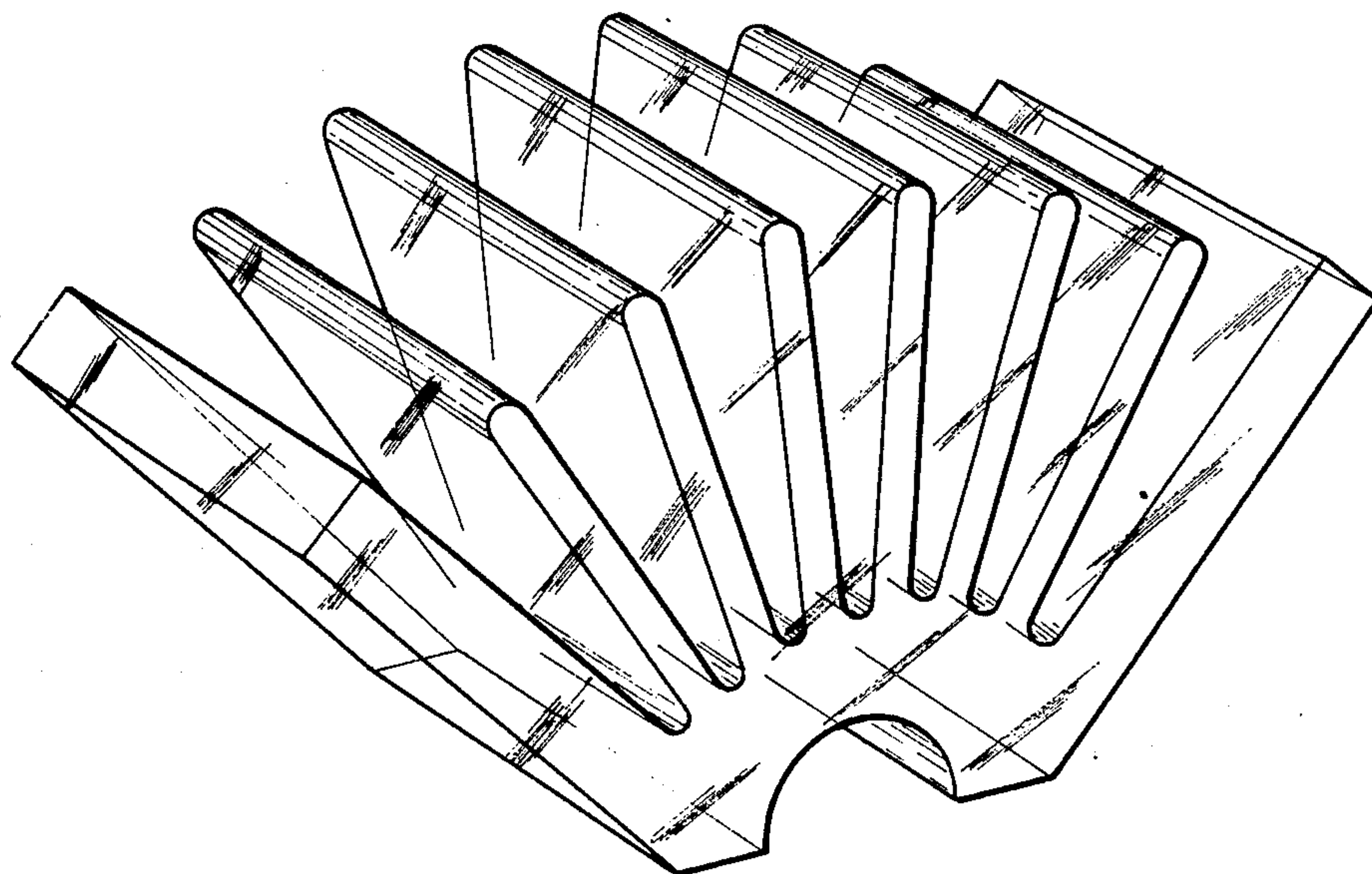


Fig.1



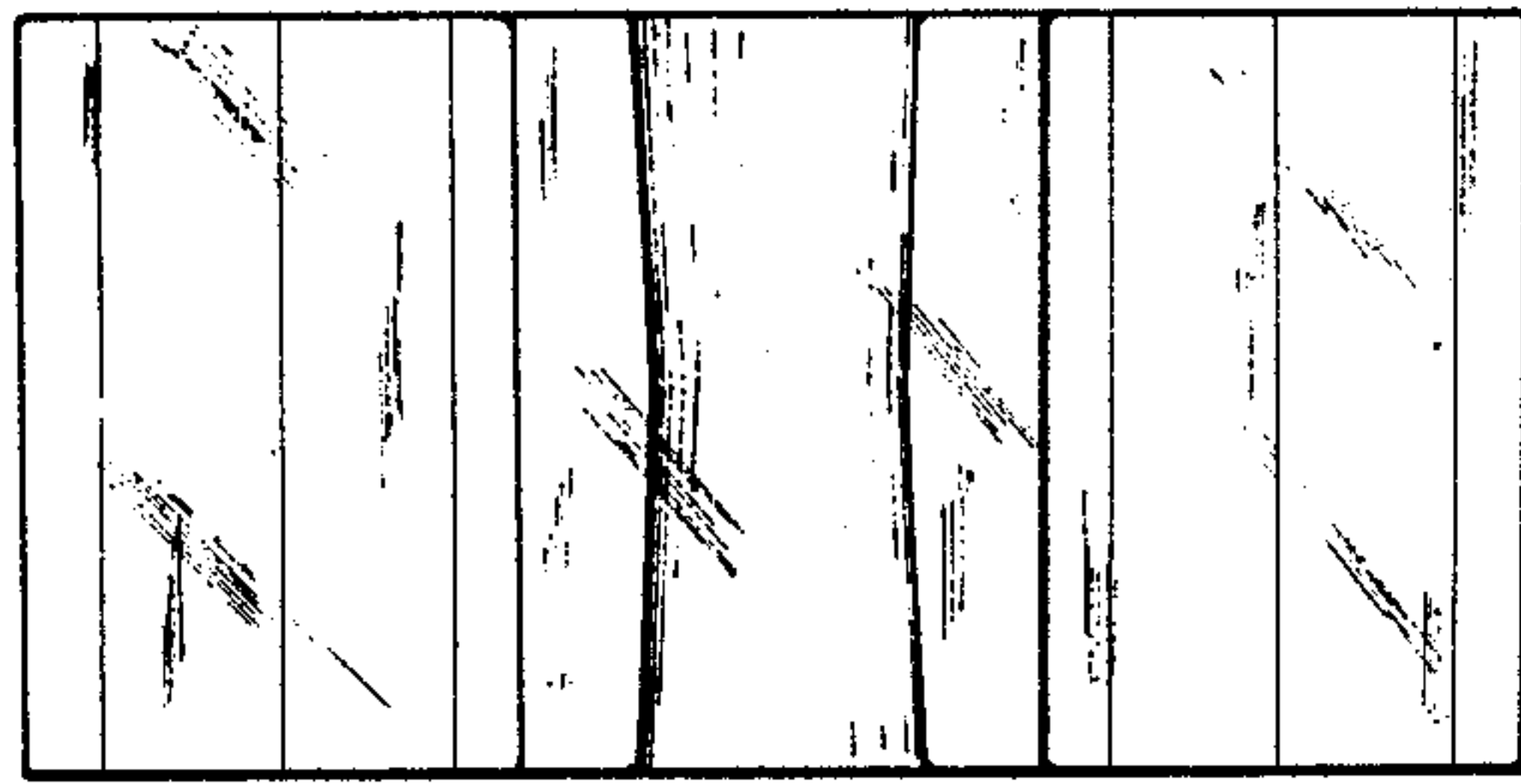


Fig. 2

Fig. 3

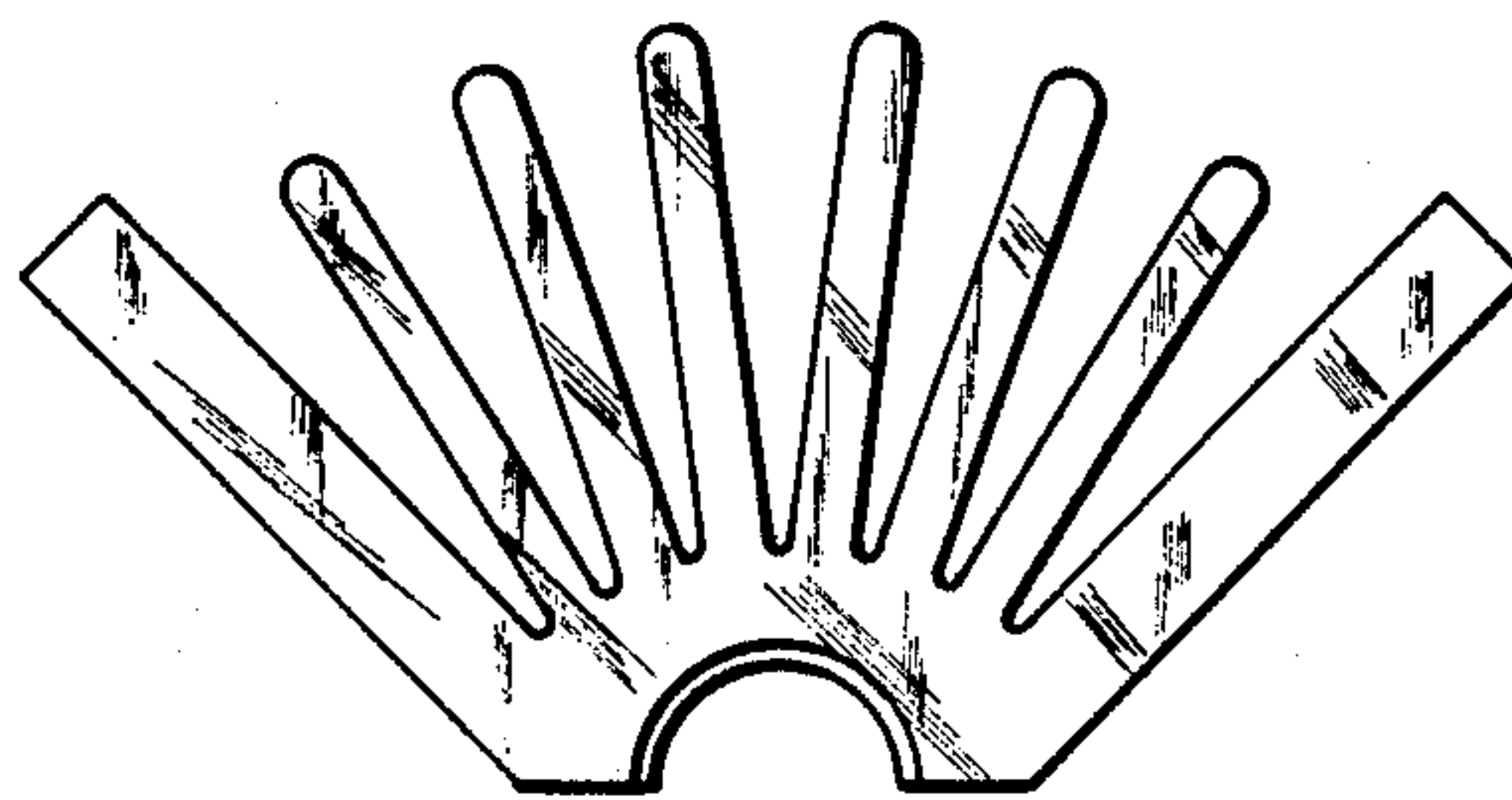


Fig. 4

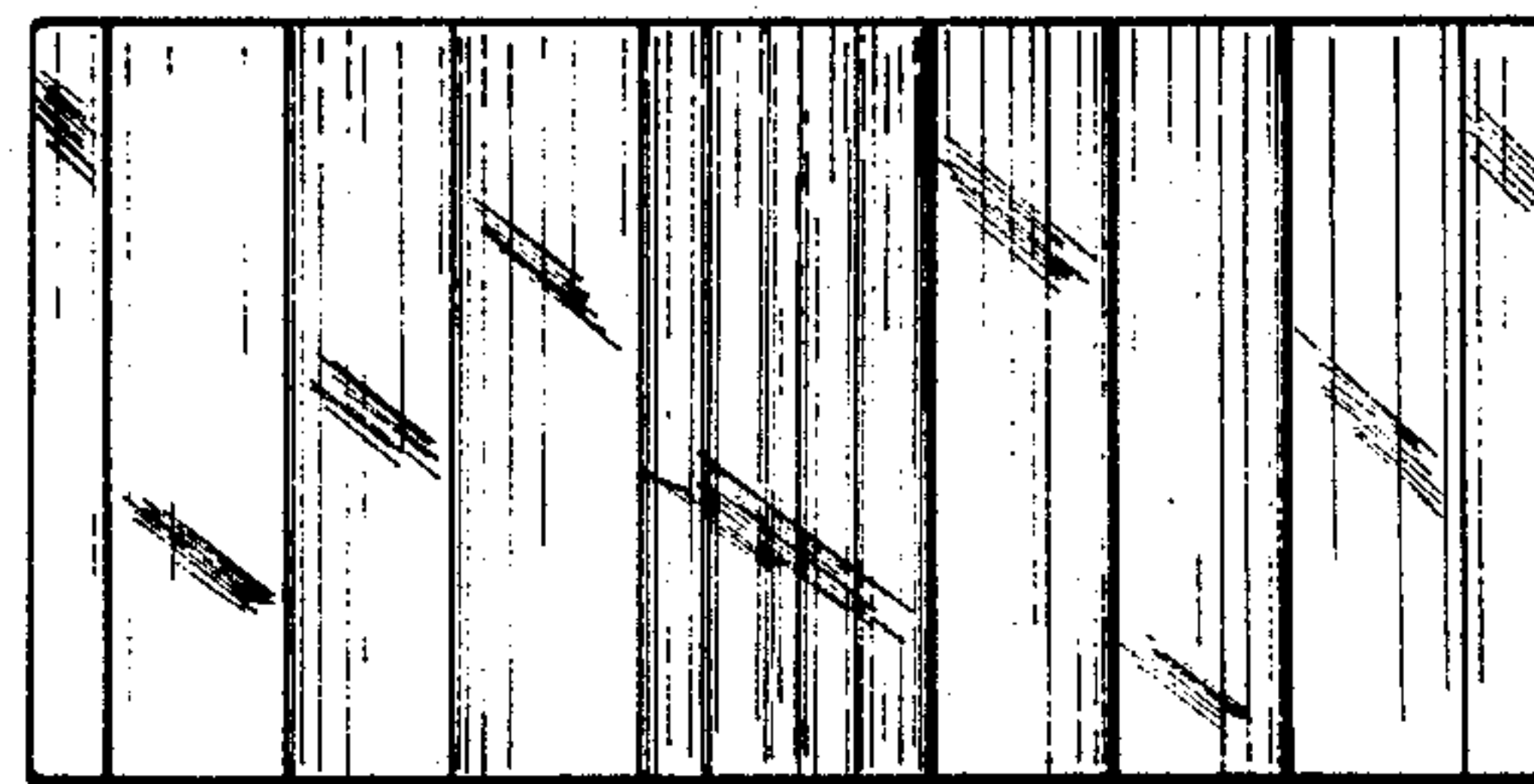
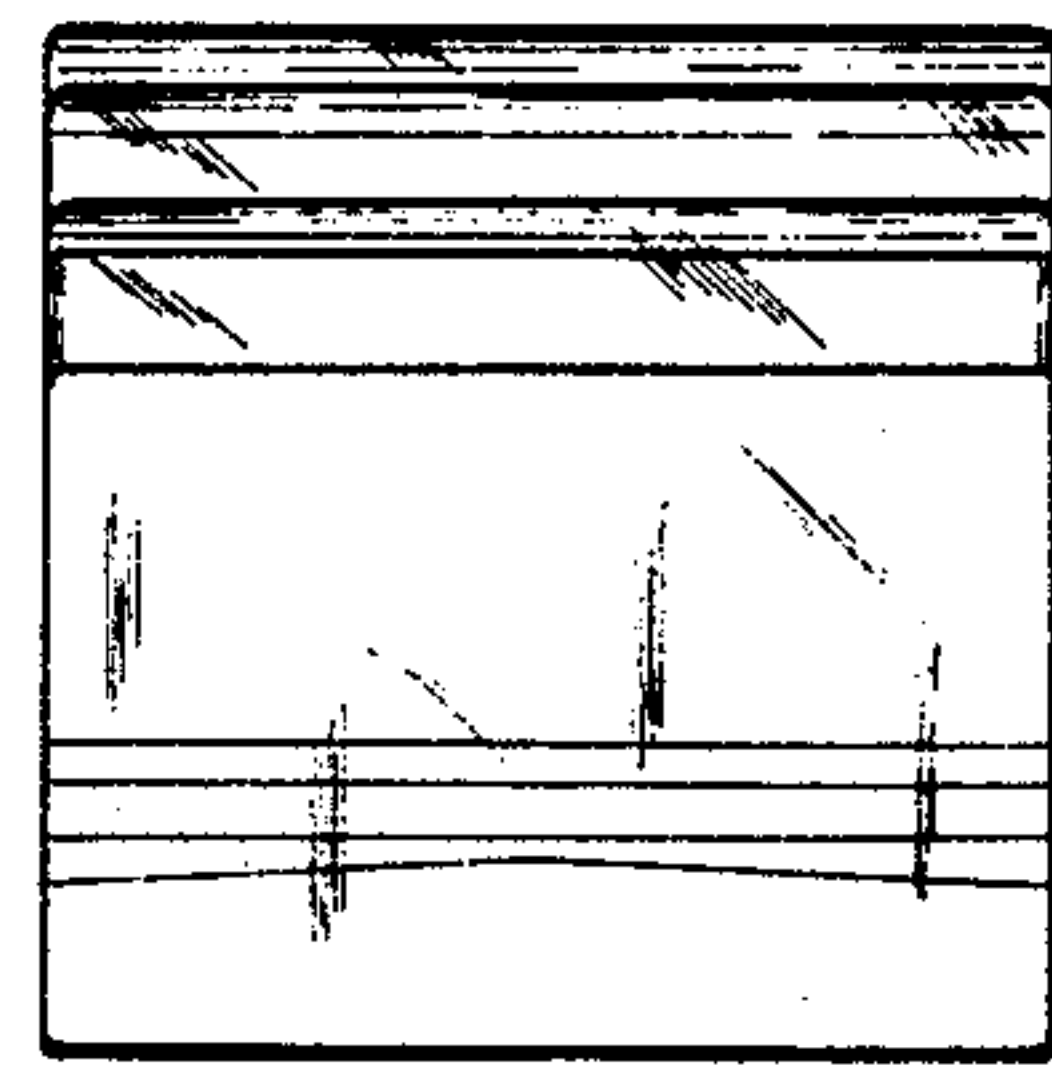


Fig. 5