

[54] **DOCUMENT RECORDER**

[75] **Inventors: Hiroshi Sano, Yokohama; Tadashi Ishikawa, Urawa, both of Japan**

[73] **Assignee: Canon Kabushiki Kaisha, Tokyo, Japan**

[**] **Term: 14 Years**

[21] **Appl. No.: 910,773**

[22] **Filed: Sep. 23, 1986**

[30] **Foreign Application Priority Data**

Mar. 28, 1986 [JP] Japan 61-11555

[52] **U.S. Cl. D18/36**

[58] **Field of Search D18/36, 38, 39, 45; D16/214, 202, 229, 232; 354/80-82; 355/18, 23, 38, 45, 54, 64, 65, 75-77; D14/124, 125, 128**

[56] **References Cited**

U.S. PATENT DOCUMENTS

- D. 211,419 6/1968 Scott D18/36
- D. 223,216 3/1972 Saito et al. D18/36
- D. 247,815 5/1978 Spence-Bate D18/39
- D. 250,028 10/1978 Kajiwara et al. D16/214
- D. 276,815 12/1984 Kando et al. D18/39

- D. 283,329 4/1986 Dayton D18/36
- 3,402,636 9/1968 Gemmer et al. 355/64
- 3,669,539 6/1972 Okuyama 355/64
- 3,981,582 9/1976 Bookless 355/75
- 4,165,934 8/1979 Zimmet 355/75
- 4,518,251 5/1985 Larsson 355/75

FOREIGN PATENT DOCUMENTS

0072132 5/1982 Japan 355/75

Primary Examiner—Nelson C. Holtje
Assistant Examiner—Caron D. Veynar
Attorney, Agent, or Firm—Fitzpatrick, Cella, Harper & Scinto

[57] **CLAIM**

The ornamental design for an document recorder, as shown and described.

DESCRIPTION

FIG. 1 is a front elevational view of the document recorder showing our new design; FIG. 2 is a rear elevational view thereof; FIG. 3 is a top plan view thereof; FIG. 4 is a bottom plan view thereof; FIG. 5 is a left side elevational view thereof; FIG. 6 is a right side elevational view thereof; and FIG. 7 is a perspective view thereof.

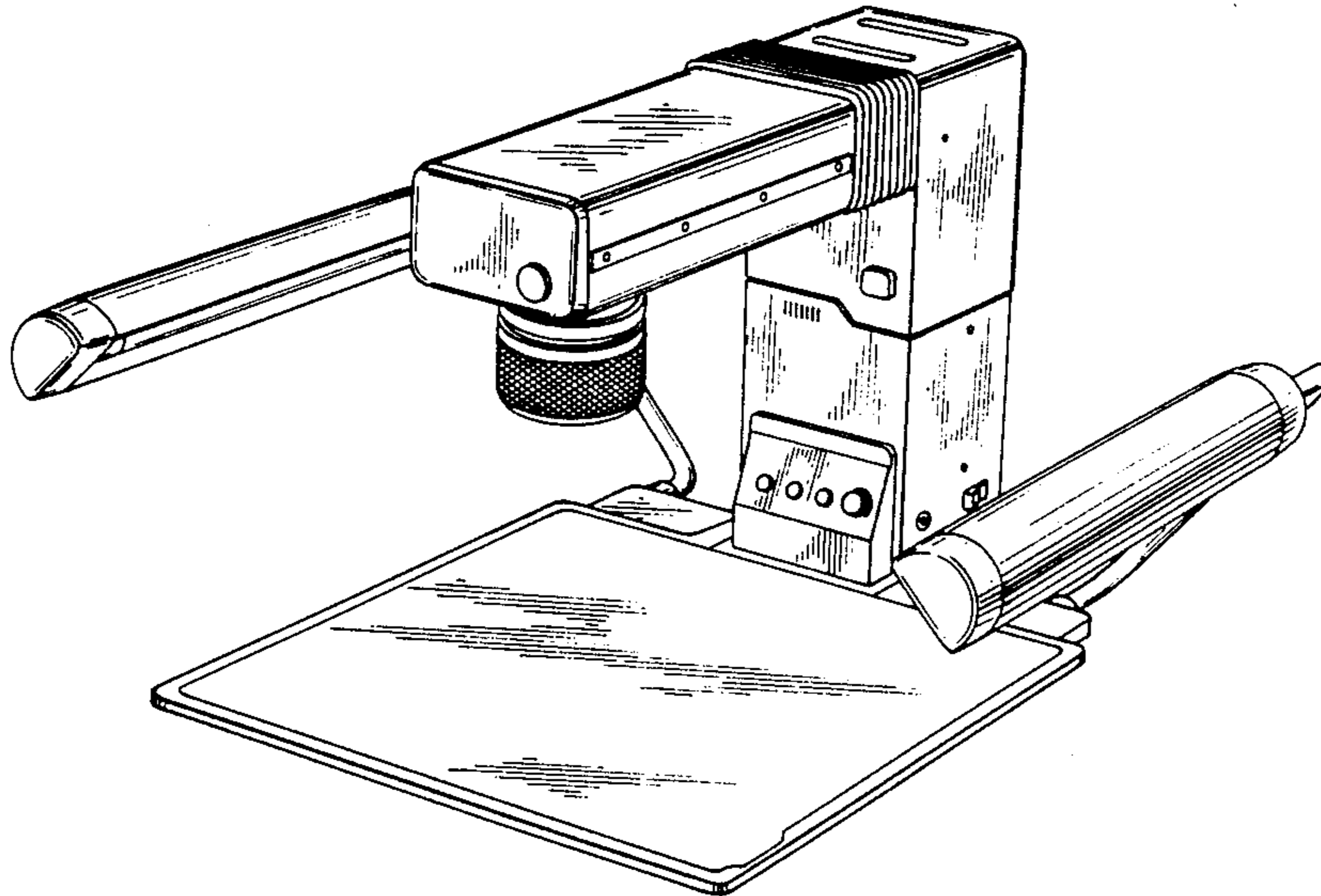


FIG. 1

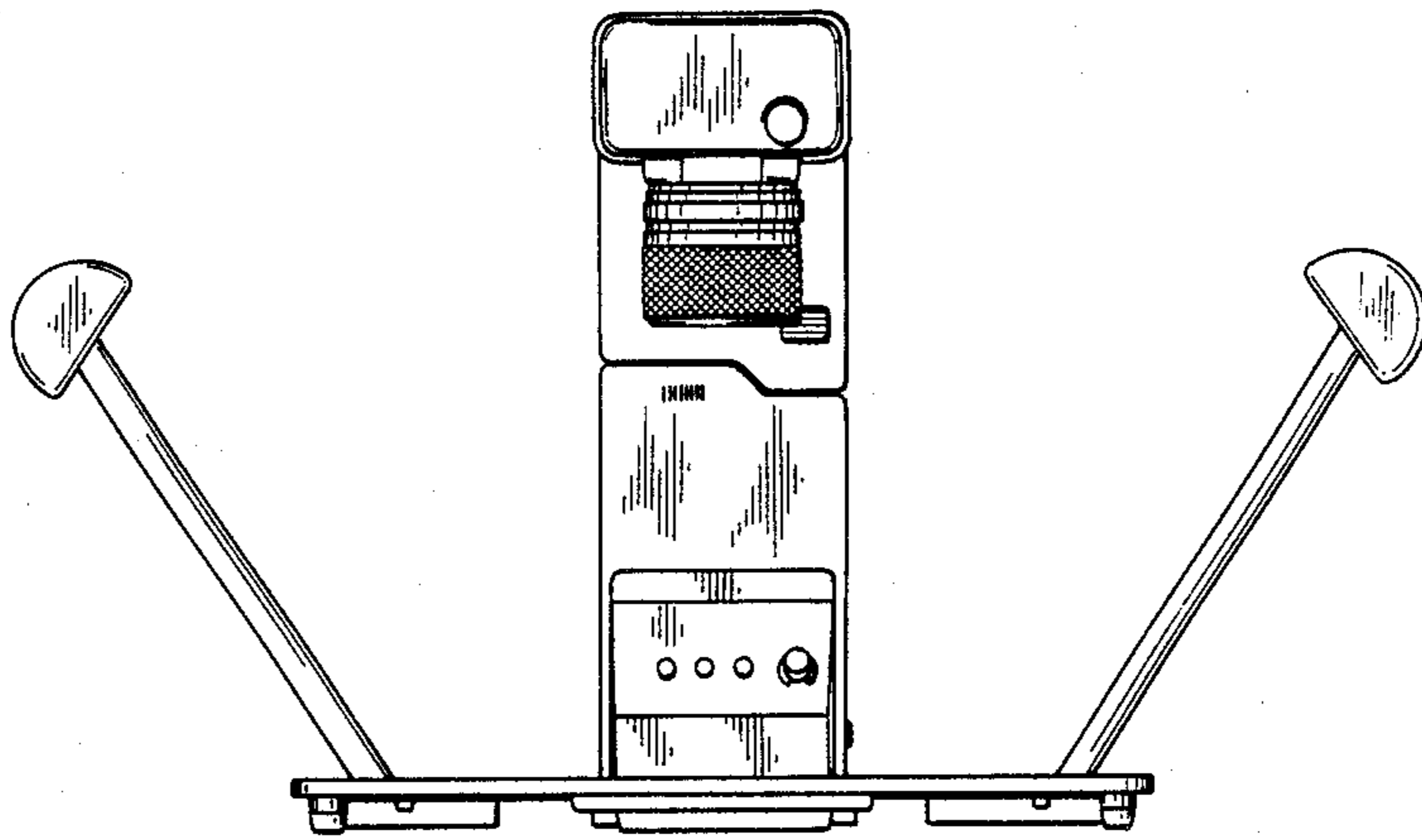


FIG. 2

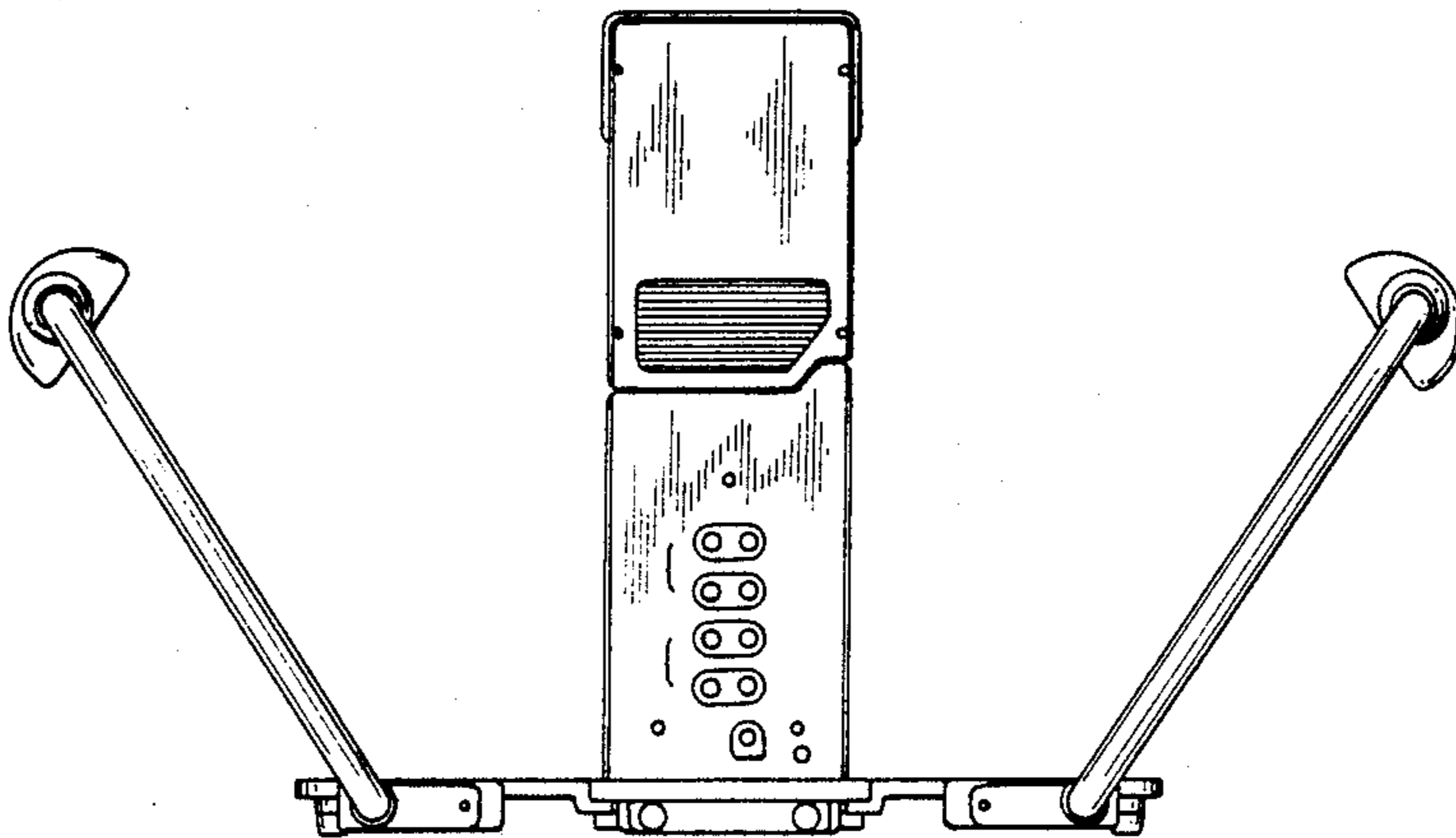


FIG. 3

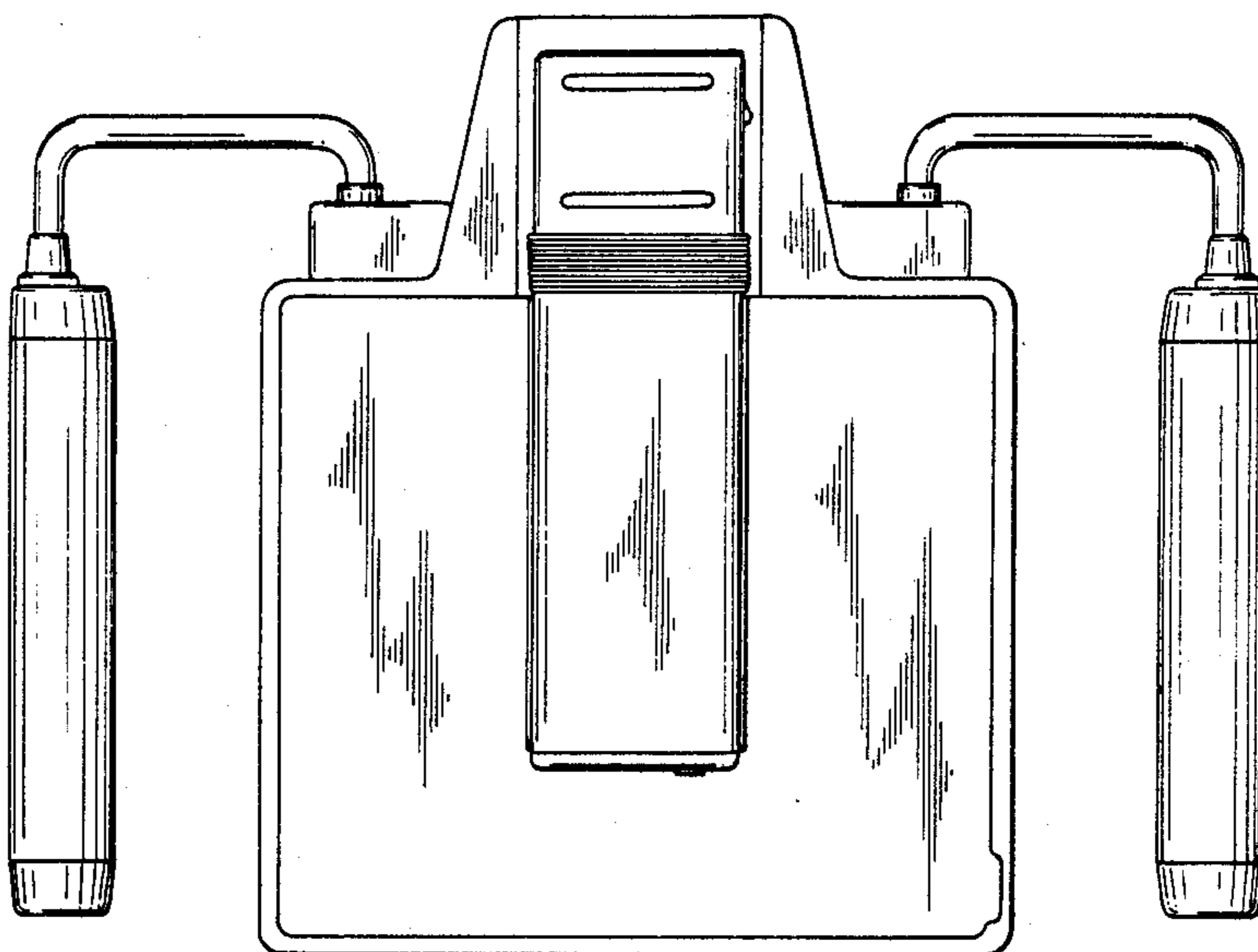


FIG. 4

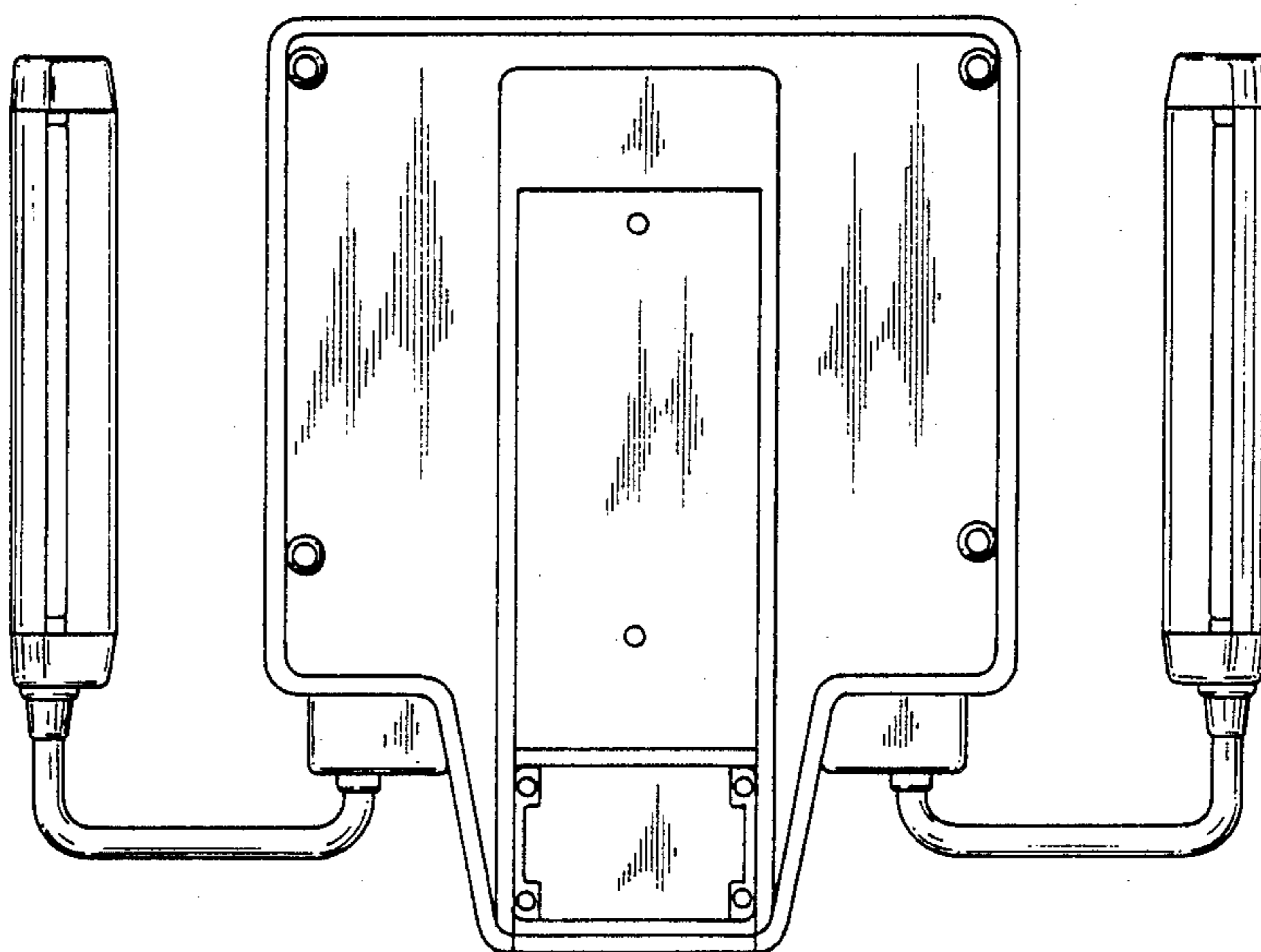


FIG. 5

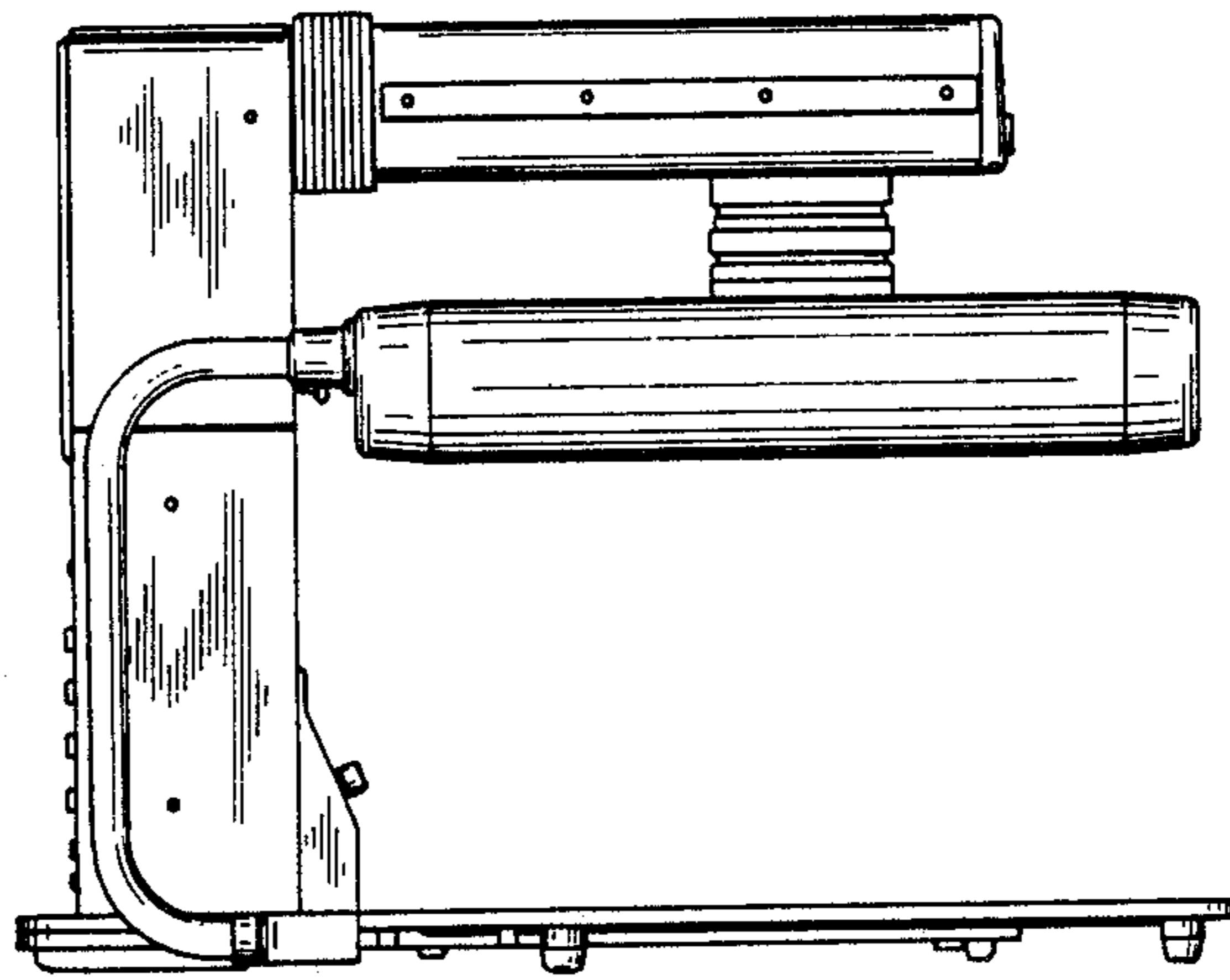


FIG. 6

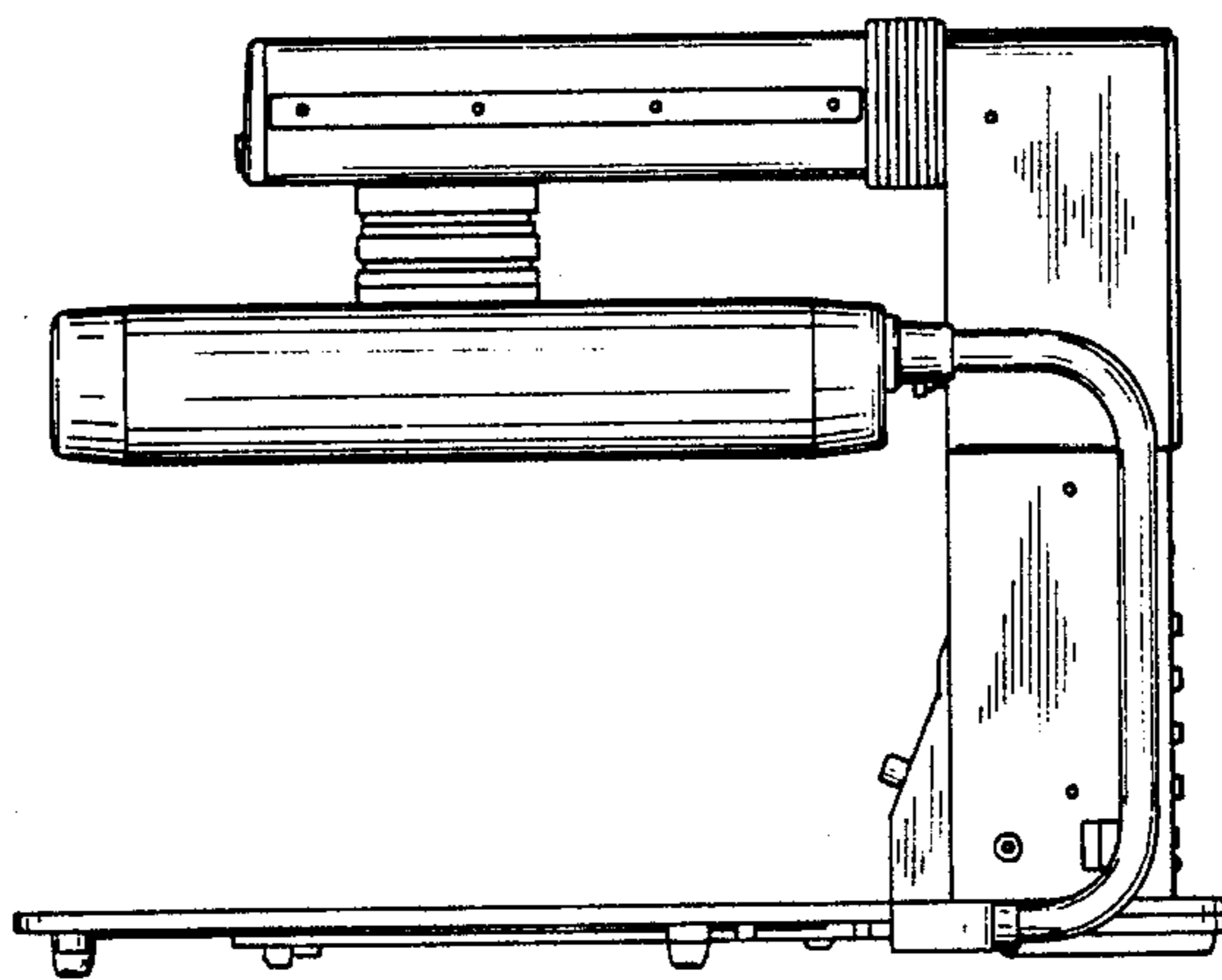
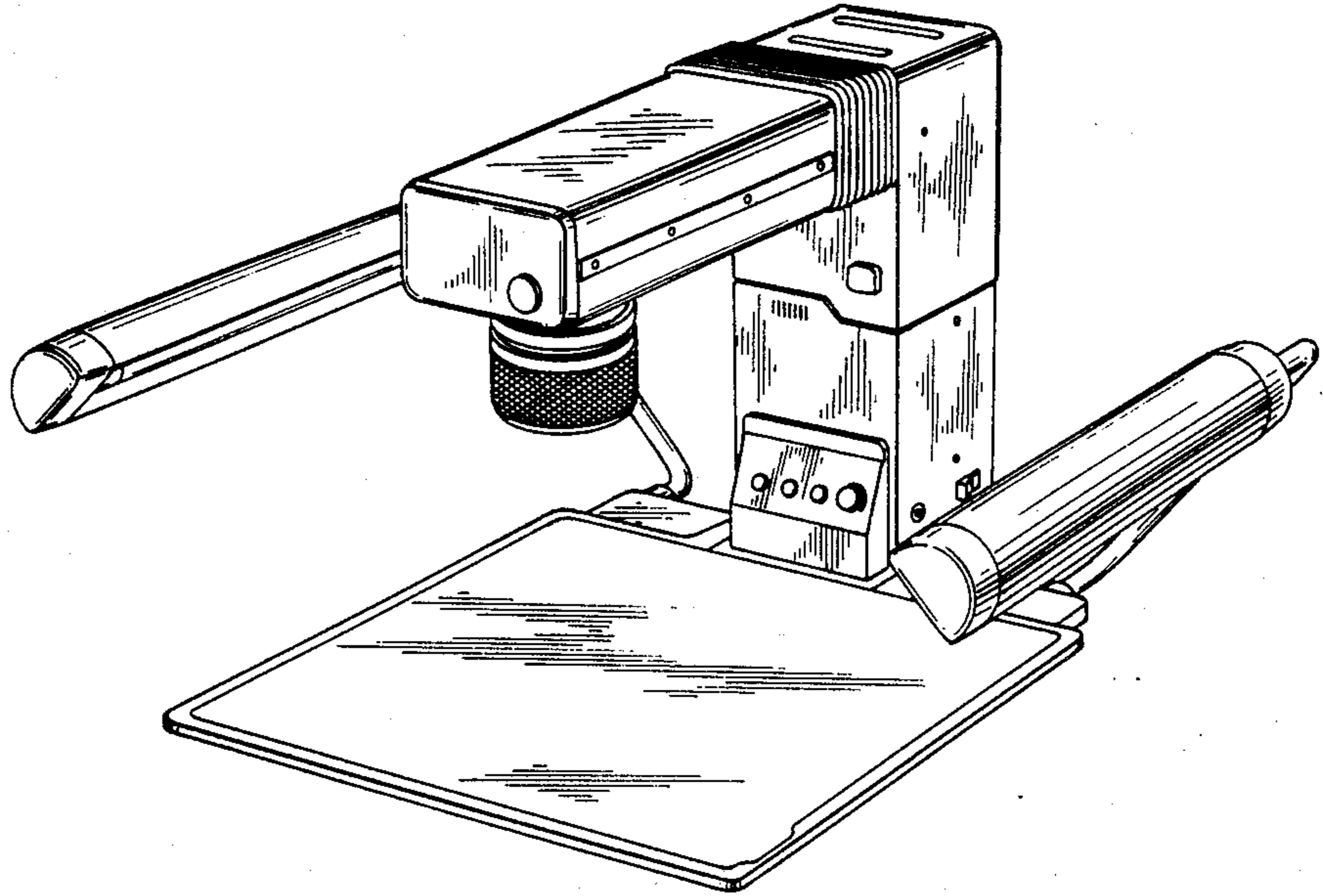


FIG. 7



UNITED STATES PATENT AND TRADEMARK OFFICE
CERTIFICATE OF CORRECTION

PATENT NO. : Des. 308,222
DATED : May 29, 1990
INVENTOR(S) : Hiroshi Sano et al

It is certified that error appears in the above-identified patent and that said Letters Patent is hereby corrected as shown below:

In the claim, "an document recorder" should read --a document recorder--

Signed and Sealed this
Seventeenth Day of September, 1991

Attest:

HARRY F. MANBECK, JR.

Attesting Officer

Commissioner of Patents and Trademarks