

[54] **DRUM HEAD RING**

[75] **Inventor: Martin B. Cohen, North Bergen, N.J.**

[73] **Assignee: Latin Percussion, Inc., Garfield, N.J.**

[**] **Term: 14 Years**

[21] **Appl. No.: 169,731**

[22] **Filed: Mar. 18, 1988**

[52] **U.S. Cl. D17/22**

[58] **Field of Search D17/22, 99; 84/411 R,
84/411 A, 411 M, 411 P, 413, 414, 415, 416,
417, 418, 419, 420**

[56] **References Cited**

U.S. PATENT DOCUMENTS

- D. 267,494 1/1983 Hardy D17/22
- 1,803,173 4/1931 Converse 84/420
- 2,022,820 12/1935 Parkinson et al. 84/420

- 3,867,863 2/1975 Vennola et al. 84/420
- 4,779,508 10/1988 Beals 84/414

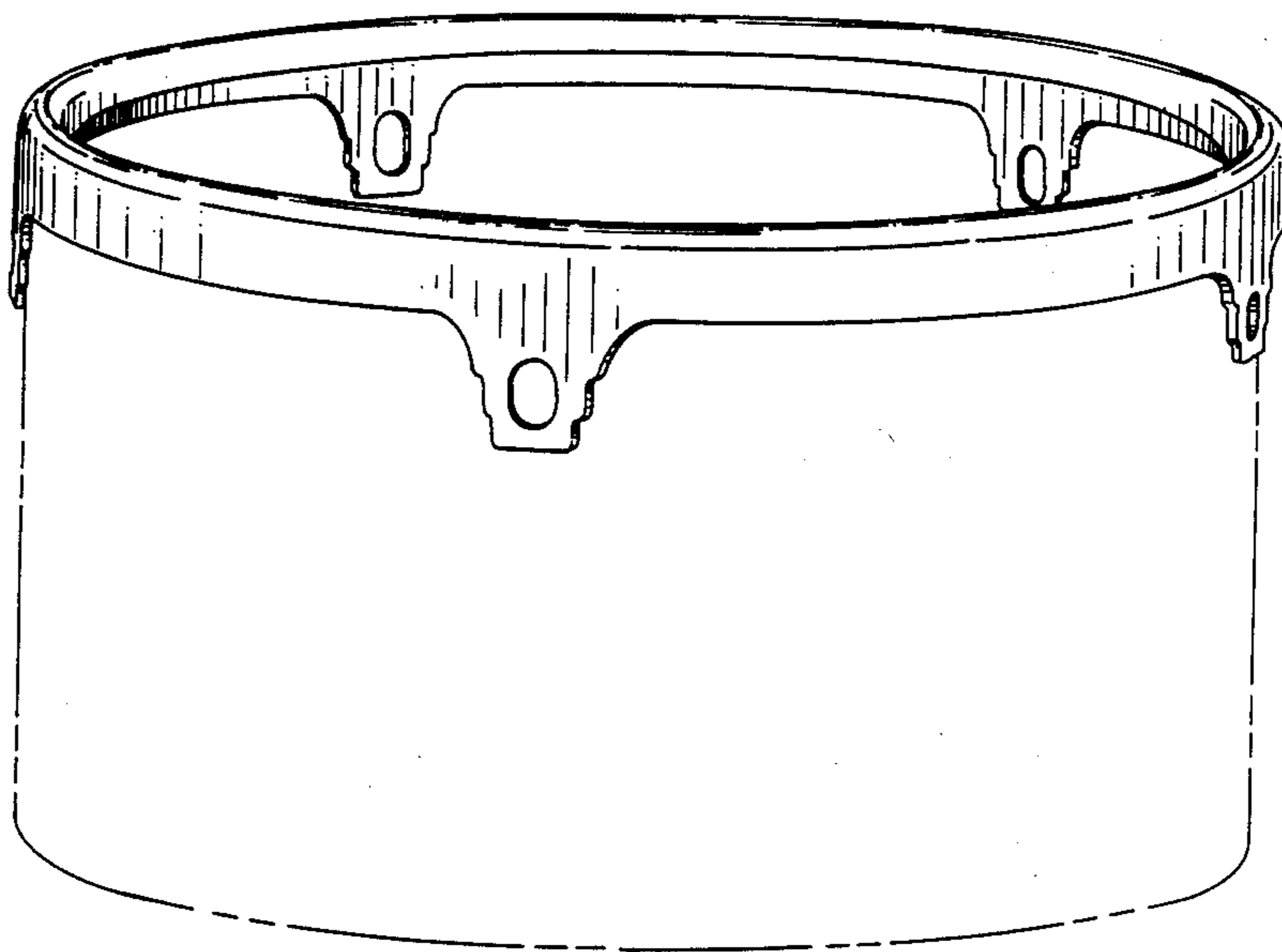
Primary Examiner—Bernard Ansher
Assistant Examiner—Adir Aronovich
Attorney, Agent, or Firm—Brumbaugh, Graves,
Donohue & Raymond

[57] **CLAIM**

The ornamental design for a drum head ring, as shown and described.

DESCRIPTION

FIG. 1 is a top plan view of a drum head ring showing my new design;
FIG. 2 is a side elevational view, the undisclosed opposite side being substantially a mirror image;
FIG. 3 is a bottom plan view thereof; and
FIG. 4 is a perspective view thereof.
The broken line showing of the drum is for illustrative purposes only and forms no part of the claimed design.



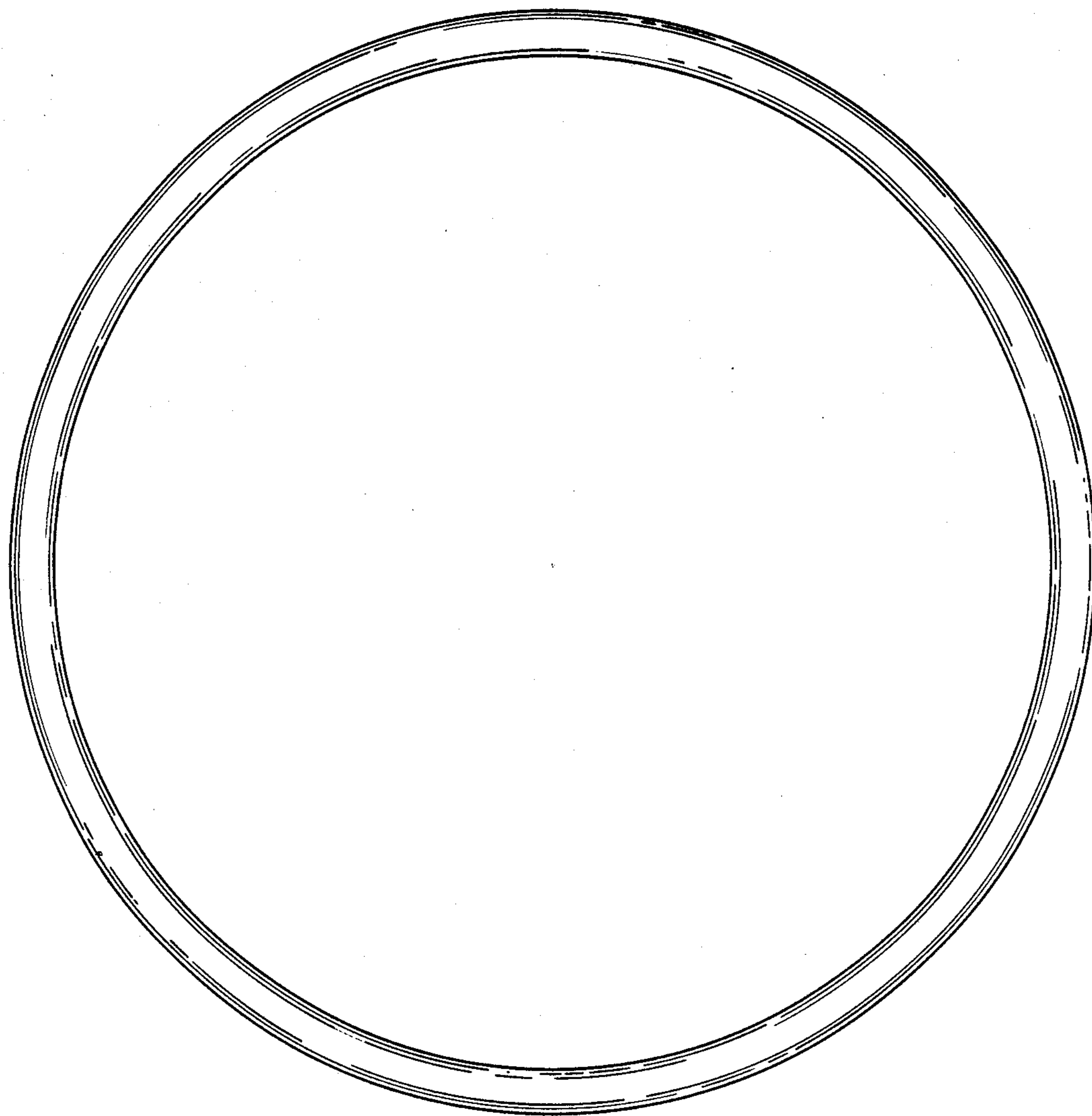


FIG. 1

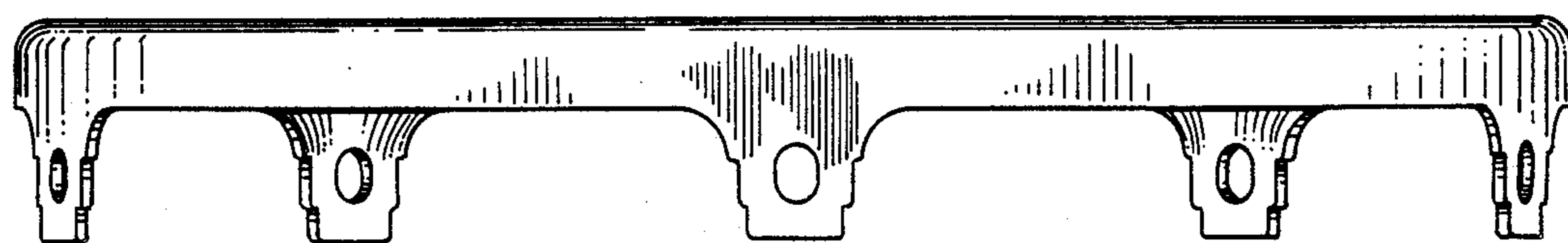


FIG. 2

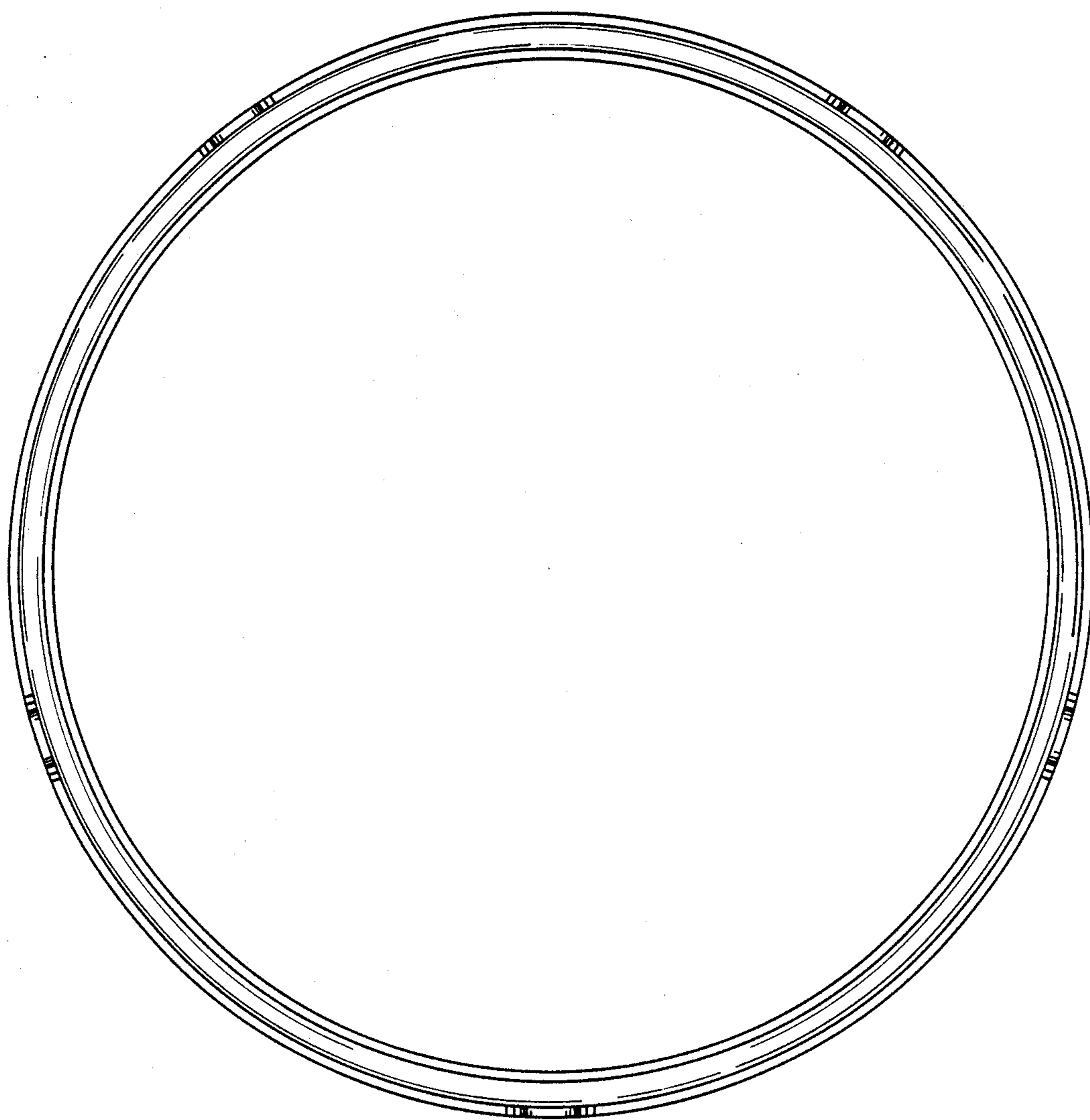


FIG. 3

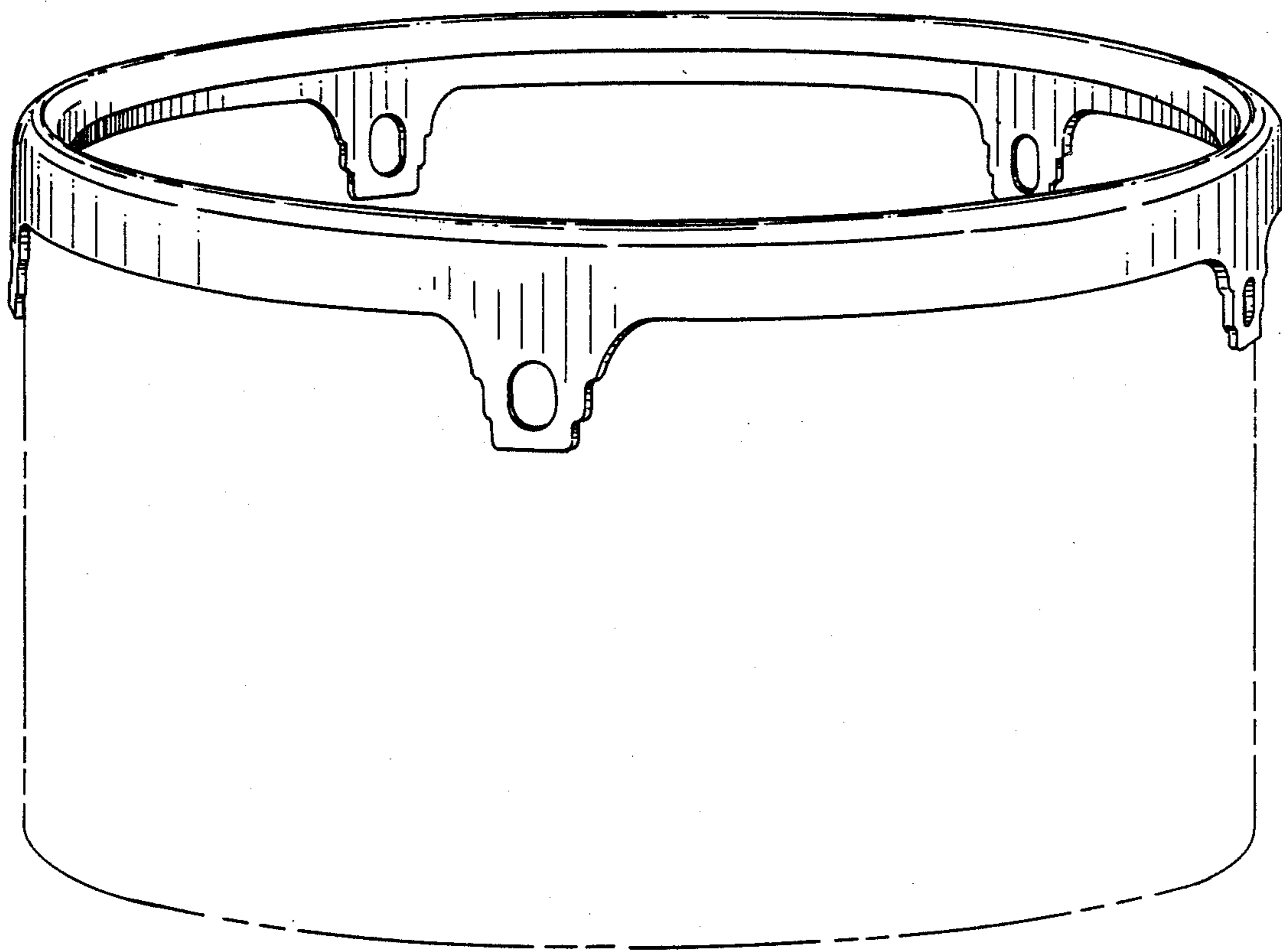


FIG. 4