

[54] **GEAR-PUMP ASSEMBLY FOR LIQUID PRODUCTS**

[75] **Inventors: Fred L. Laqua; Robert E. Hall, both of Wichita, Kans.**

[73] **Assignee: Great Plains Industries, Inc., Wichita, Kans.**

[\*\*] **Term: 14 Years**

[21] **Appl. No.: 121,997**

[22] **Filed: Nov. 17, 1987**

[52] **U.S. Cl. .... D15/7**

[58] **Field of Search ..... D15/7, 9; 417/234-235, 417/48, 321, 572, 424, 307**

[56] **References Cited**

**U.S. PATENT DOCUMENTS**

- D. 262,113 12/1981 Durrum ..... D15/7
- D. 263,843 4/1982 Parcja ..... D15/7

- D. 288,325 2/1987 Davis et al. .... D15/7
- D. 299,143 12/1988 Hazlehurst ..... D15/7

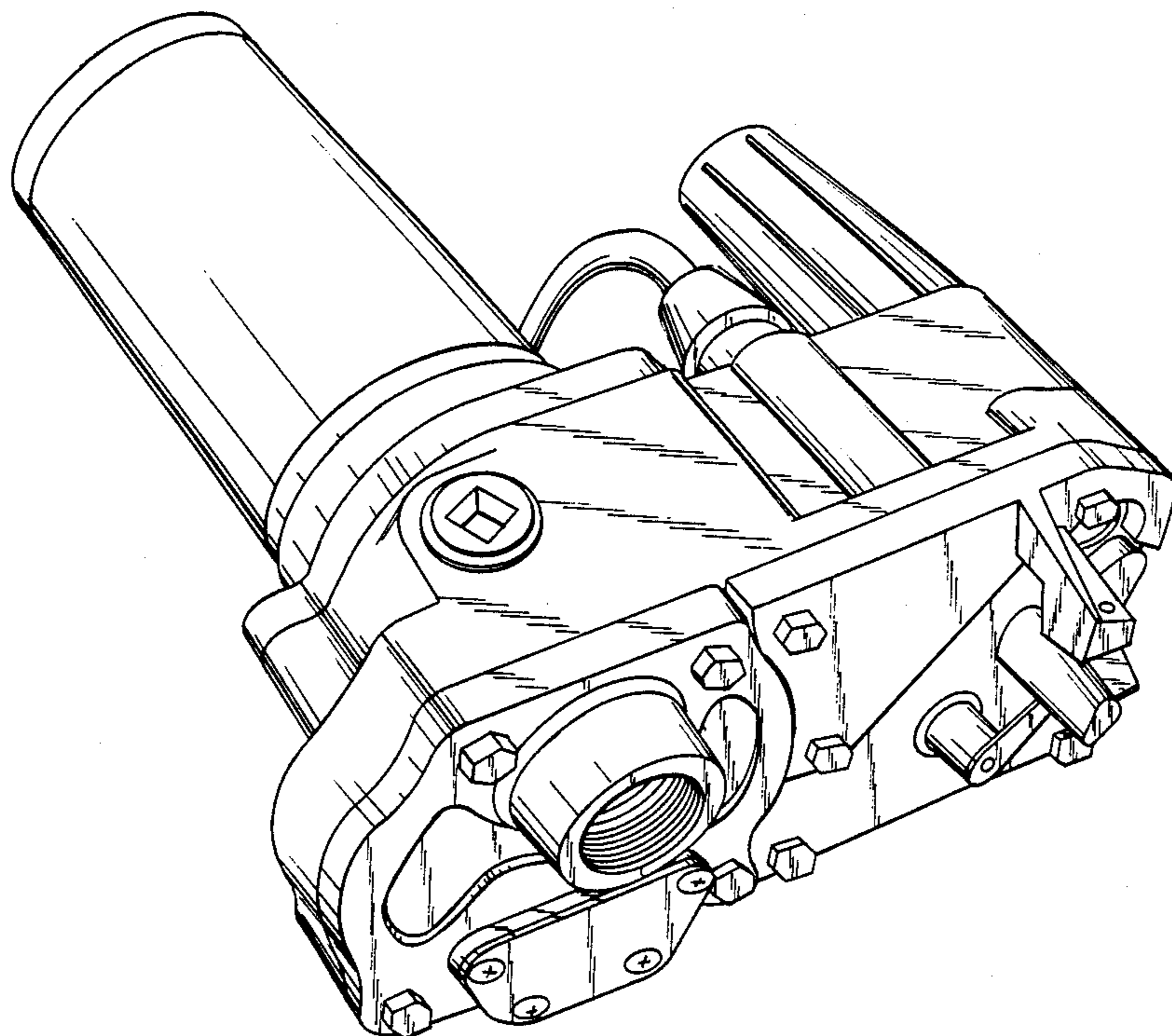
*Primary Examiner*—Wallace R. Burke  
*Assistant Examiner*—Brian N. Vinson  
*Attorney, Agent, or Firm*—Bill D. McCarthy

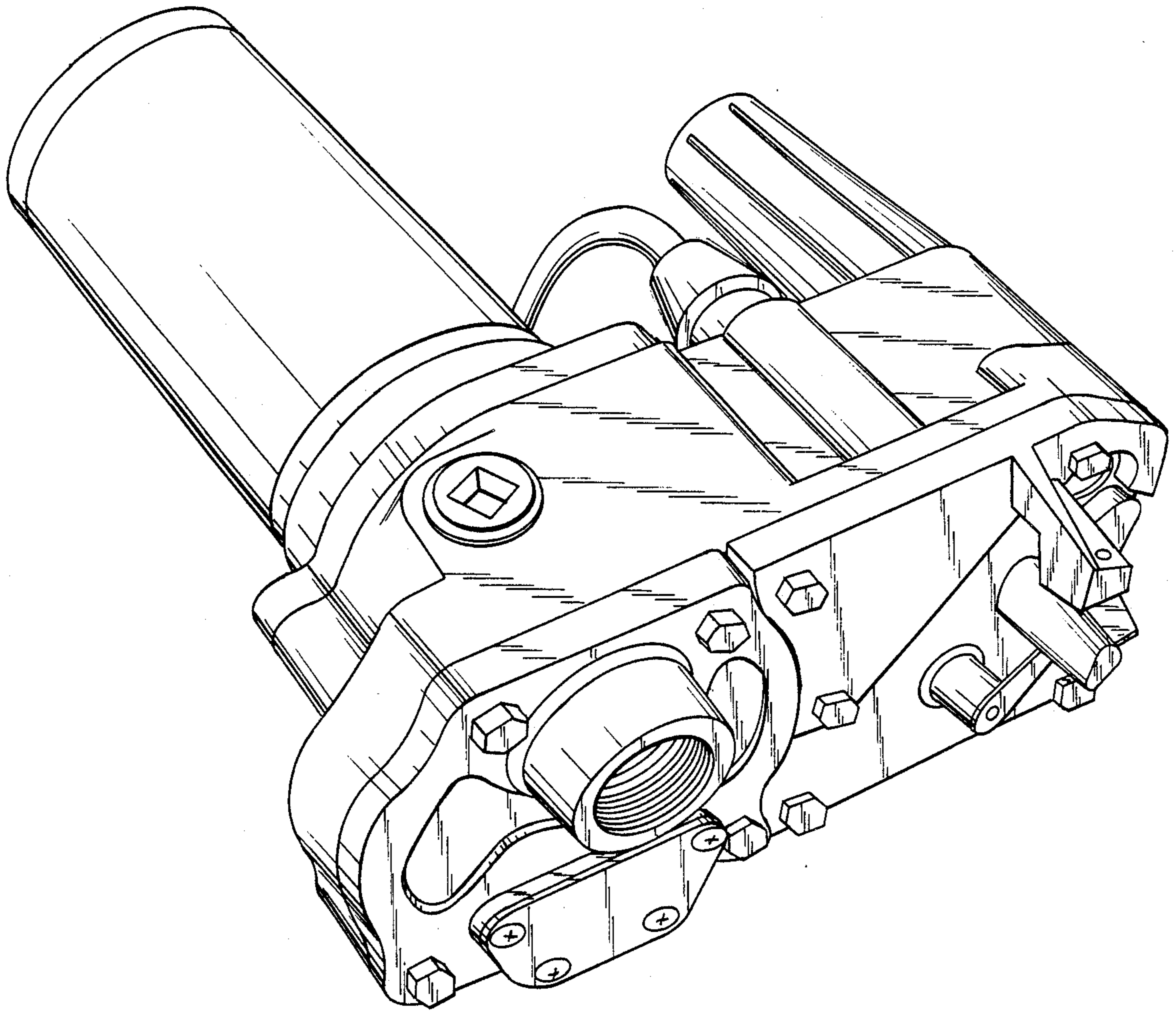
[57] **CLAIM**

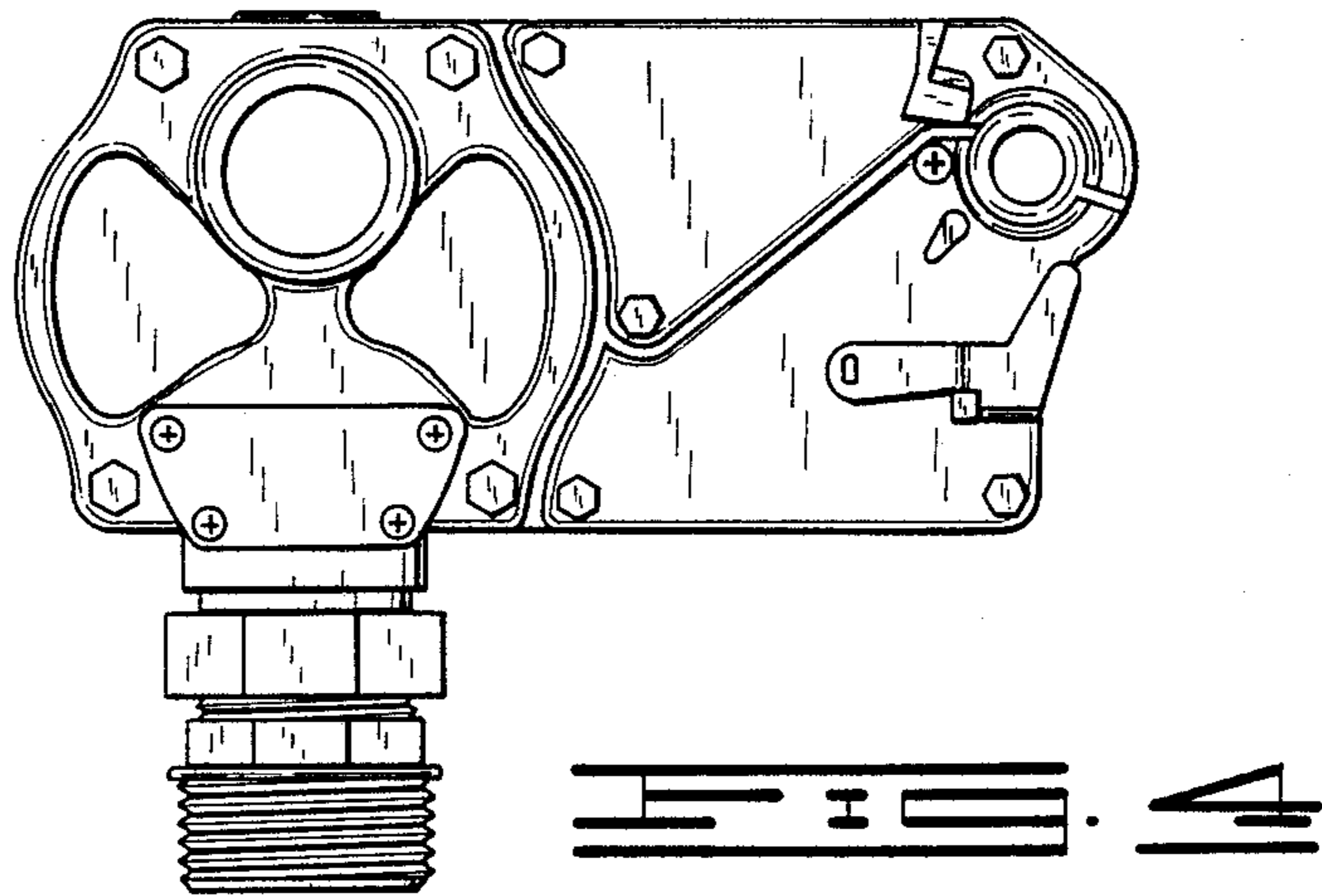
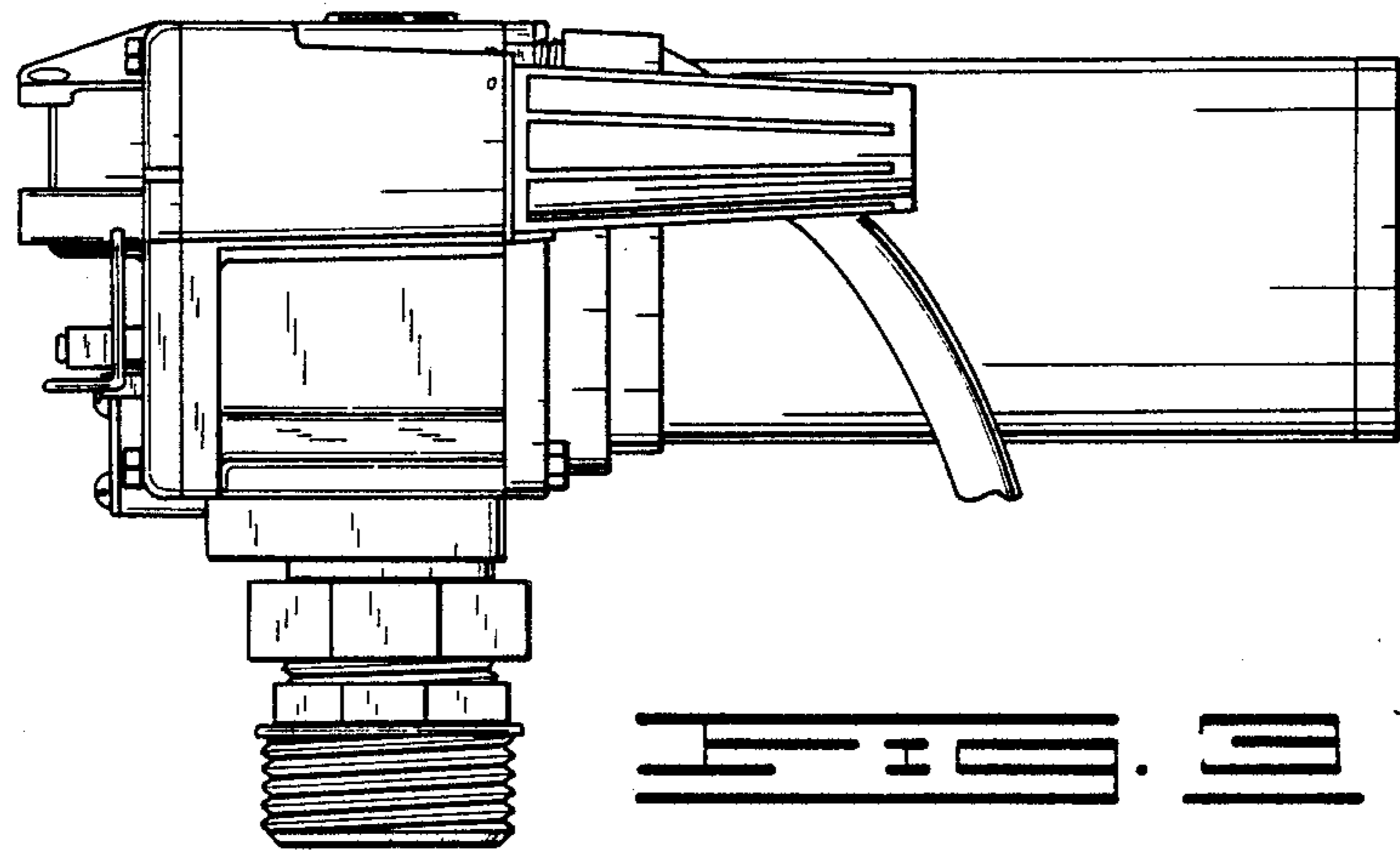
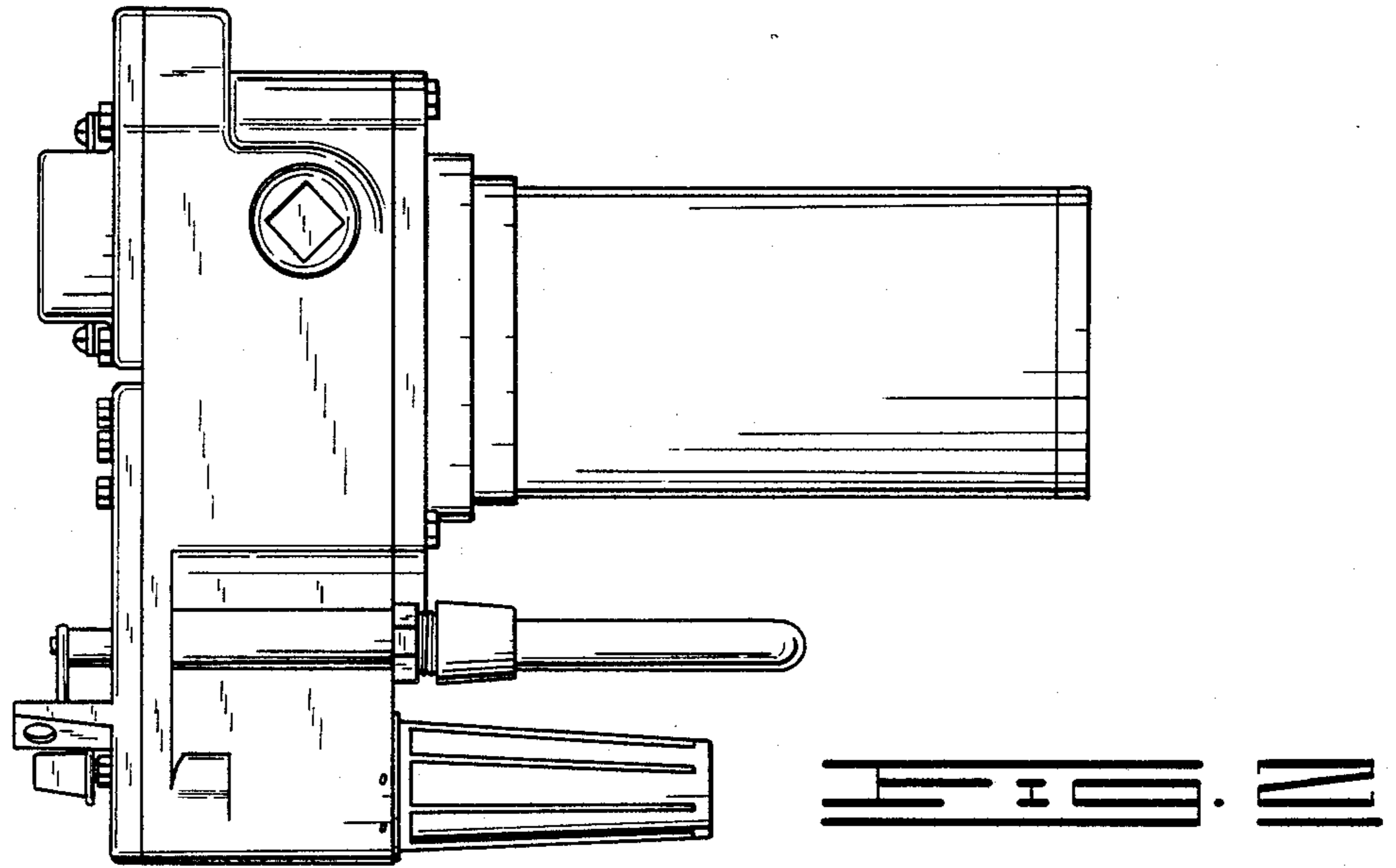
The ornamental design for a gear-pump assembly for liquid products, as shown and described.

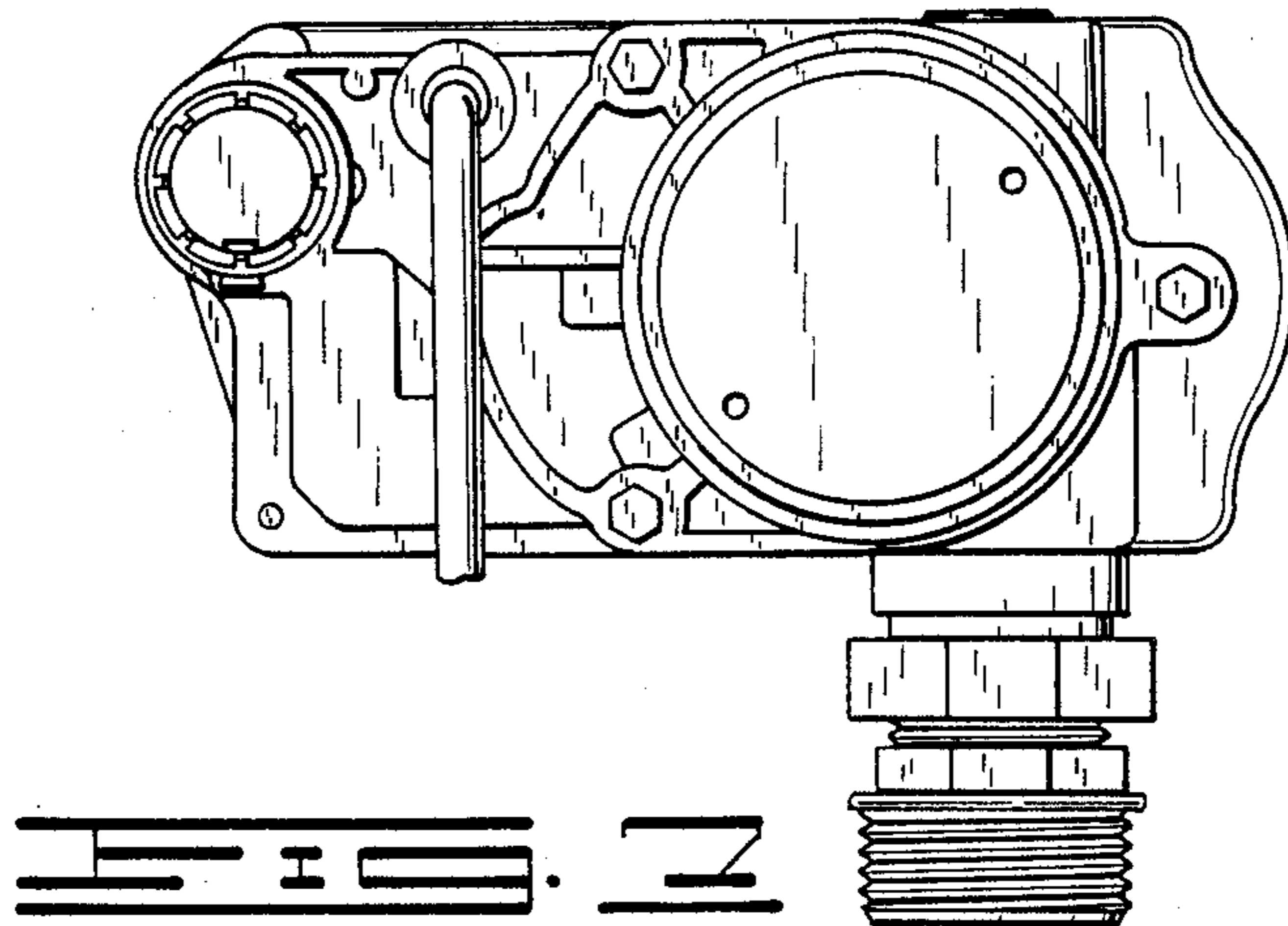
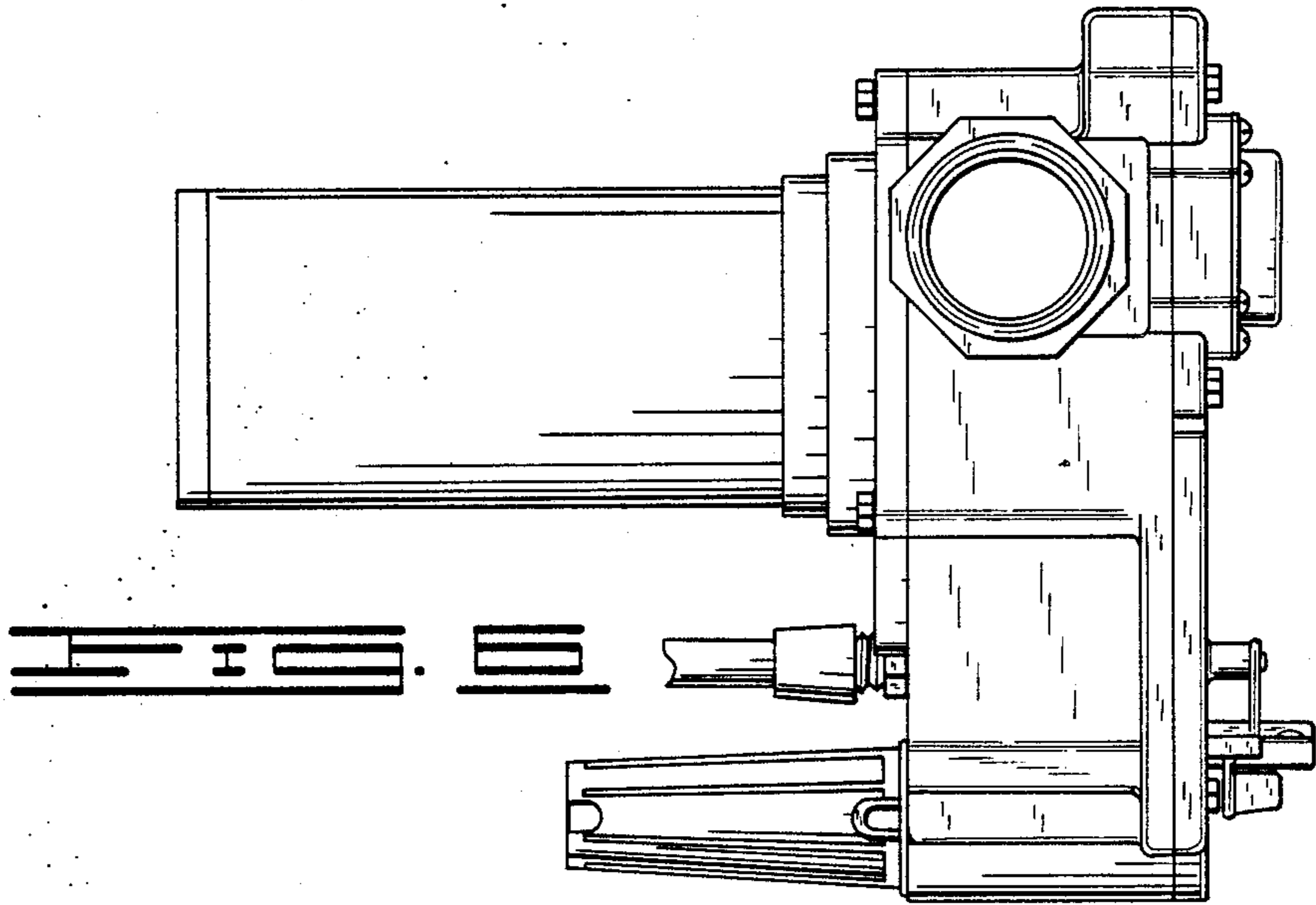
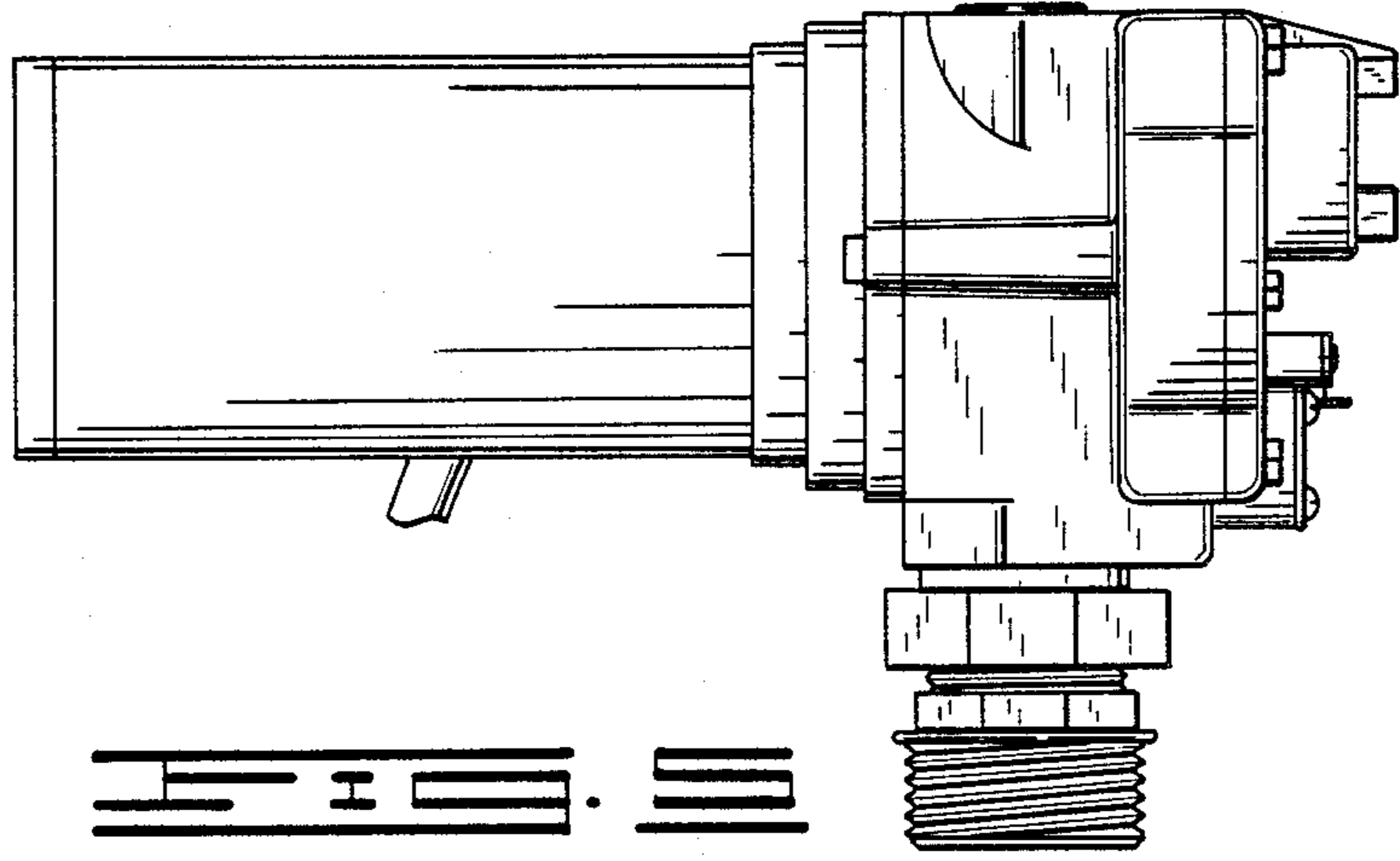
**DESCRIPTION**

FIG. 1 is a perspective view of a gear-pump assembly for liquid products showing our new design; FIG. 2 is a reduced top plan view thereof; FIG. 3 is a reduced elevational view of one side thereof; FIG. 4 is a reduced front elevational view thereof; FIG. 5 is a reduced elevational view of the other side thereof; FIG. 6 is a reduced bottom plan view thereof; and FIG. 7 is a reduced rear plan view thereof.









**Disclaimer**

Des. 308,209.—*Fred L. Laqua; Robert E. Hall*, both of Wichita, Kans. GEAR-PUMP ASSEMBLY FOR LIQUID PRODUCTS. Patent dated May 29, 1990. Disclaimer filed Oct. 3, 1990, by the assignee, Great Plains Industries, Inc.

Hereby enters this disclaimer to the entire term of said patent.  
[ *Official Gazette December 18, 1990* ]