

[54] **JET FOOT PUMP**

[76] **Inventors: Michael P. Ziaylek; Theodore Ziaylek, Jr., both of 140 Riverview Dr., Yardley, Pa. 19067**

[**] **Term: 14 Years**

[21] **Appl. No.: 36,812**

[22] **Filed: Apr. 10, 1987**

[52] **U.S. Cl. D15/7**

[58] **Field of Search D15/7, 9; 417/65, 76, 417/87-88, 151, 181**

[56]

References Cited

U.S. PATENT DOCUMENTS

D. 229,235 11/1973 Bunch D15/7
2,741,997 4/1956 Parker 417/181
4,597,716 7/1986 Evenson 417/181

Primary Examiner—Wallace R. Burke
Assistant Examiner—Brian N. Vinson
Attorney, Agent, or Firm—Sperry, Zoda & Kane

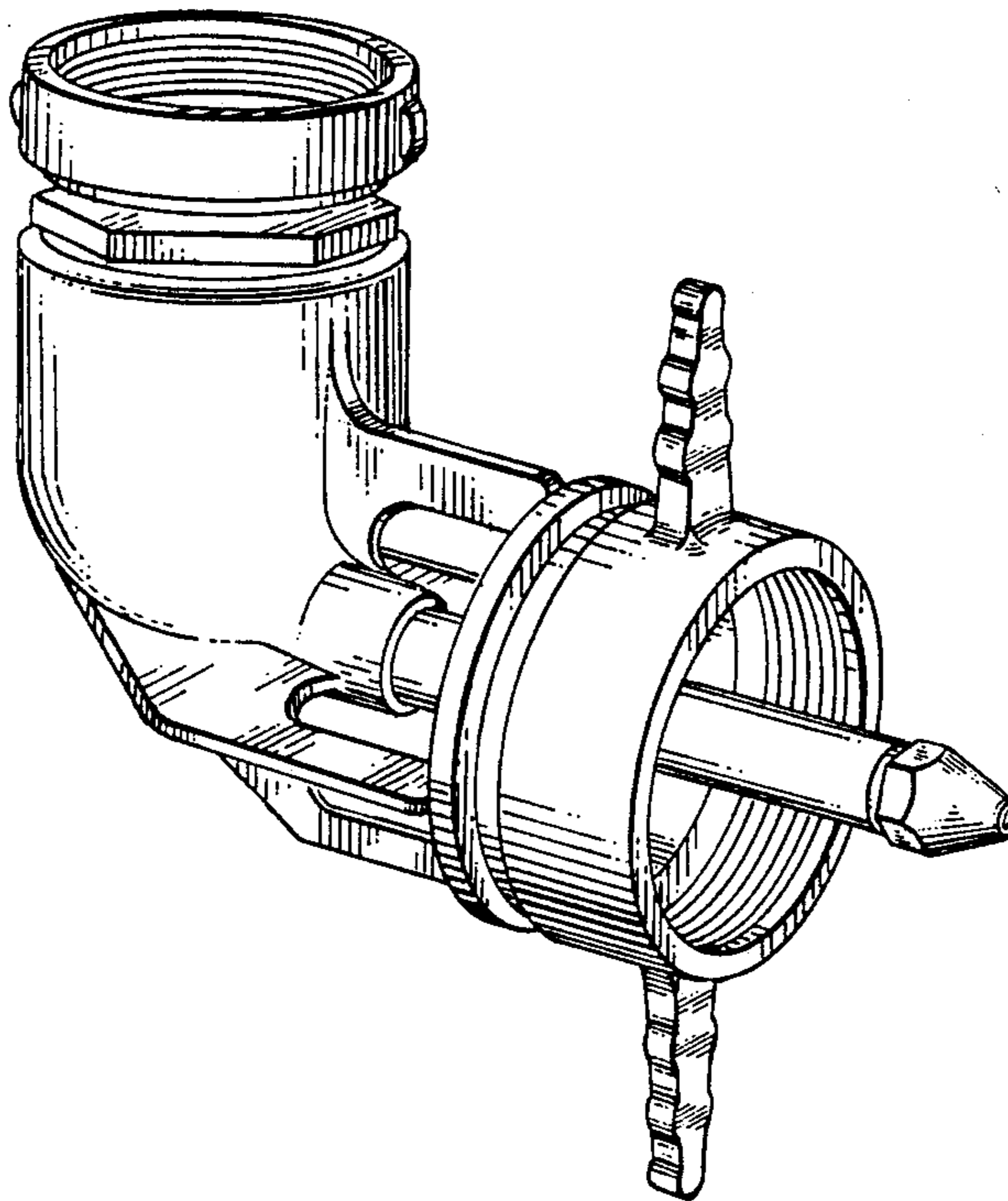
[57]

CLAIM

The ornamental design for a jet foot pump, as shown.

DESCRIPTION

FIG. 1 is a top, front and right side perspective view of a jet foot pump showing our new design; FIG. 2 is a left side elevational view thereof; and FIG. 3 is a bottom plan view thereof.



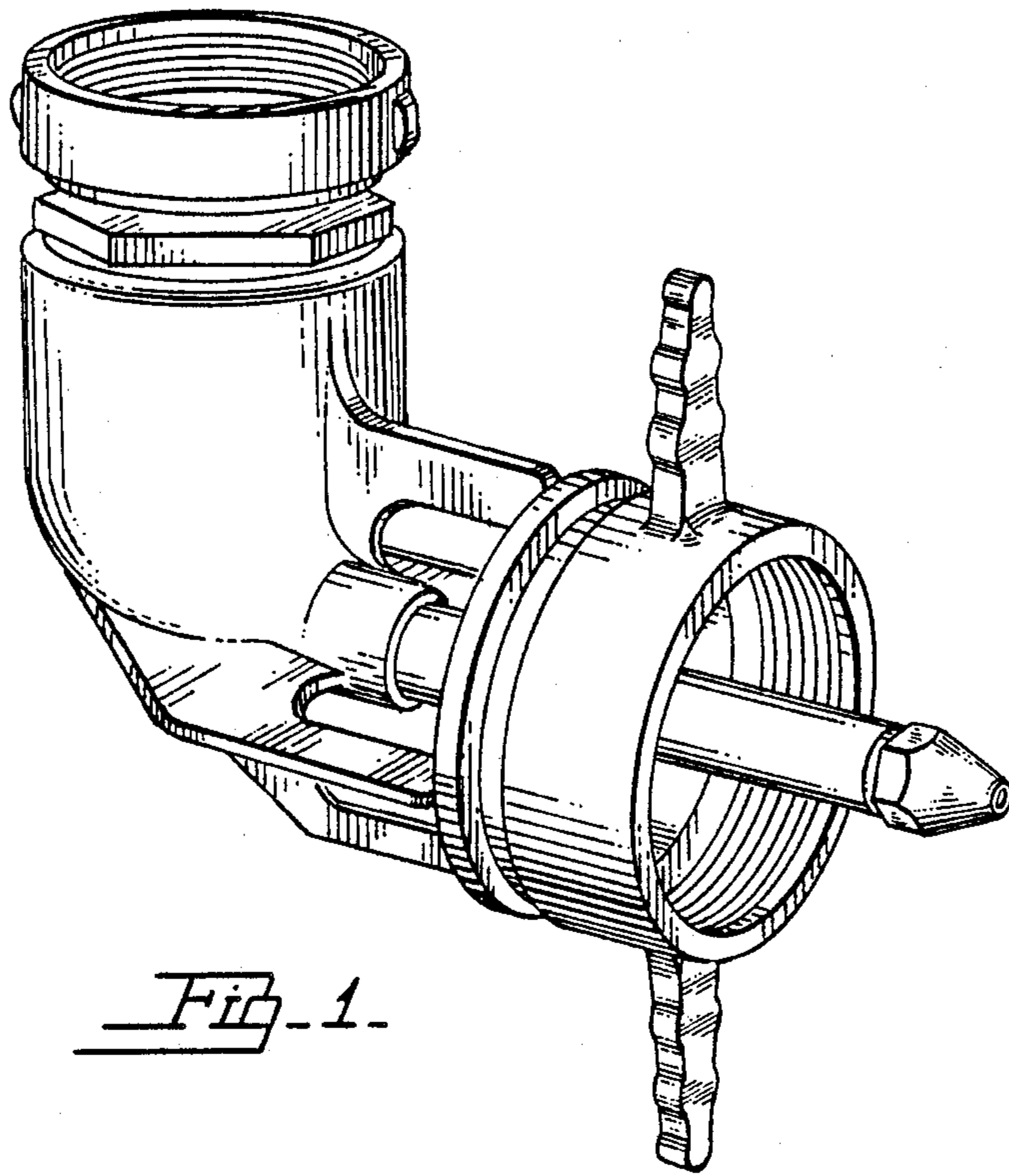


Fig. 1.

Fig. 2.

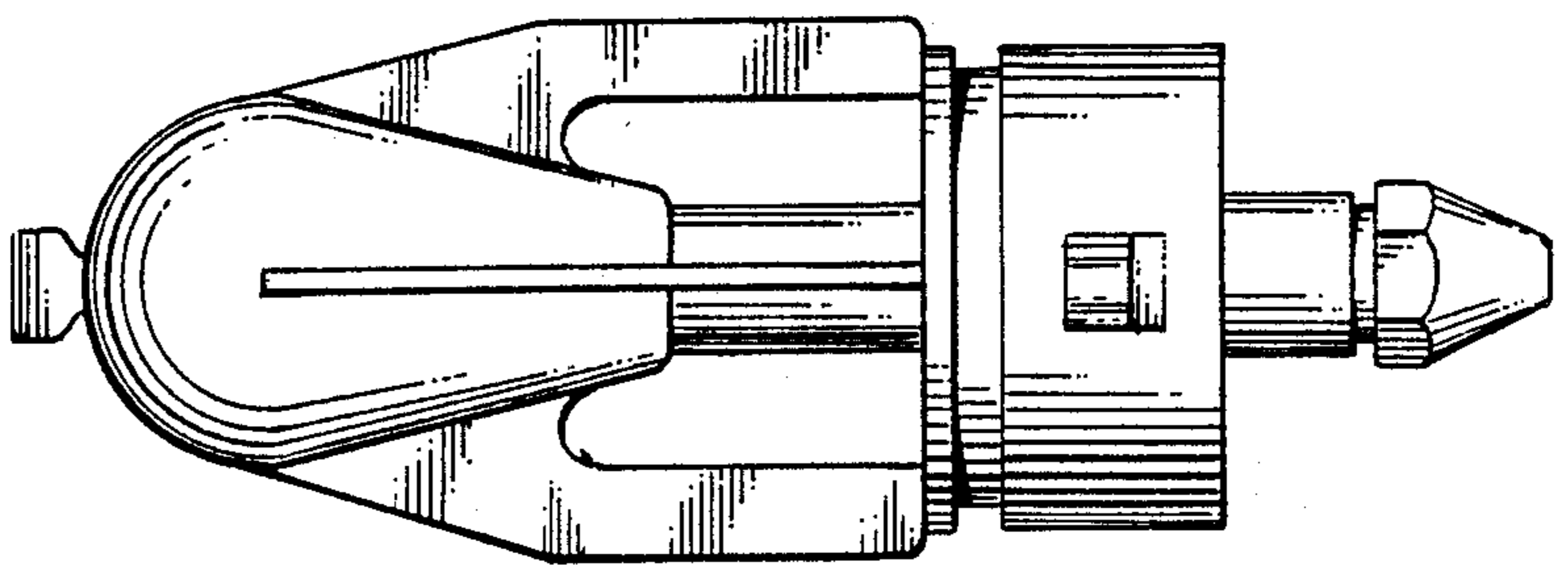
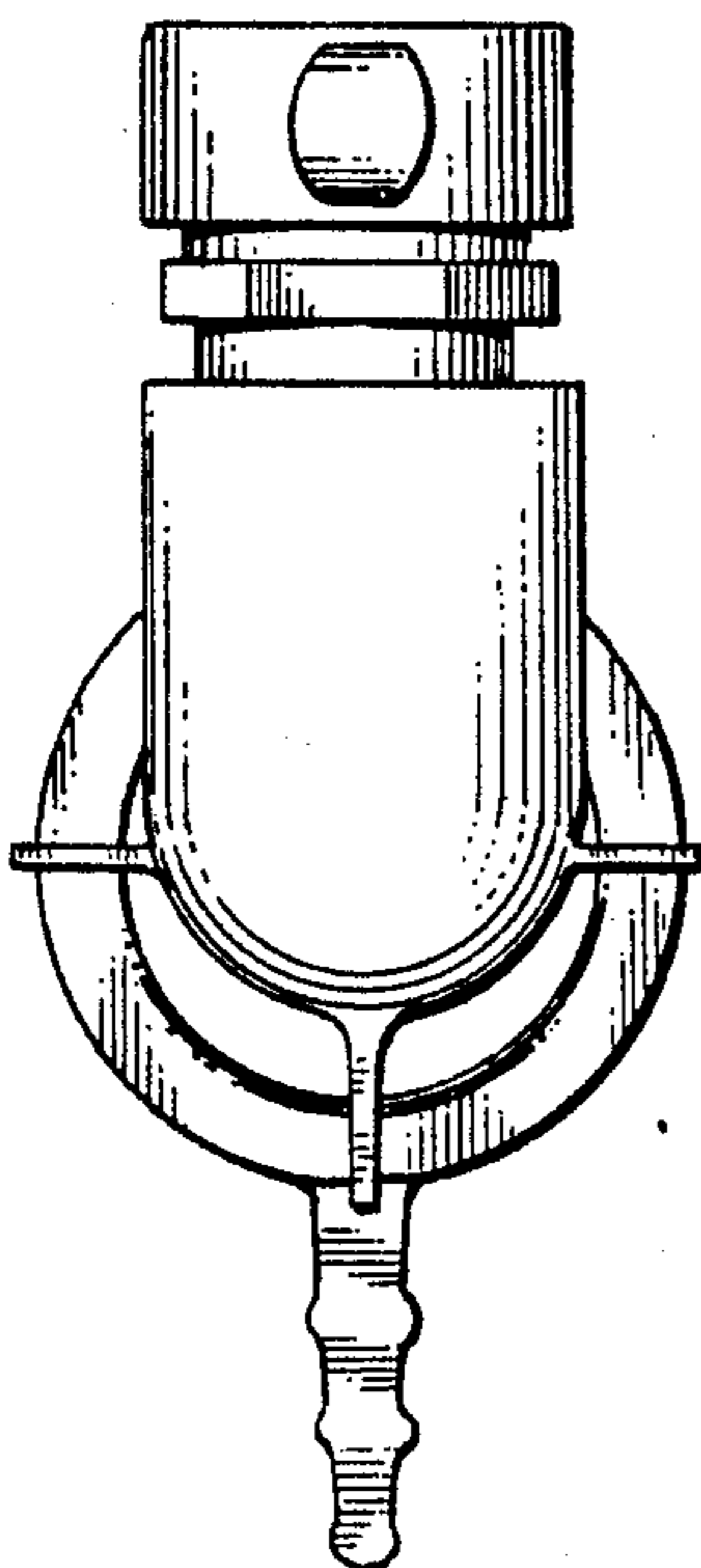


Fig. 3.