

[54] FLUID-OPERATED MULTIMOTION ACTUATOR

[75] Inventor: David W. Burke, Cape Elizabeth, Me.

[73] Assignee: Motion Controls and Automation, Inc., Cape Elizabeth, Me.

[**] Term: 14 Years

[21] Appl. No.: 214,577

[22] Filed: Jun. 27, 1988

[52] U.S. Cl. D15/7; D15/138; D15/199

[58] Field of Search D15/138, 7; 901/16, 901/17, 22; 414/753

[56] References Cited

U.S. PATENT DOCUMENTS

D. 301,583 6/1989 Herner D15/7
3,935,950 2/1976 Burch 901/17 X

4,024,959 5/1977 Gruner 901/16 X
4,379,335 4/1983 Kirsch et al. 901/22 X
4,515,550 5/1985 Miller D15/122 X
4,648,782 3/1987 Kraft 901/22 X
4,781,517 11/1988 Pearle et al. 901/16 X

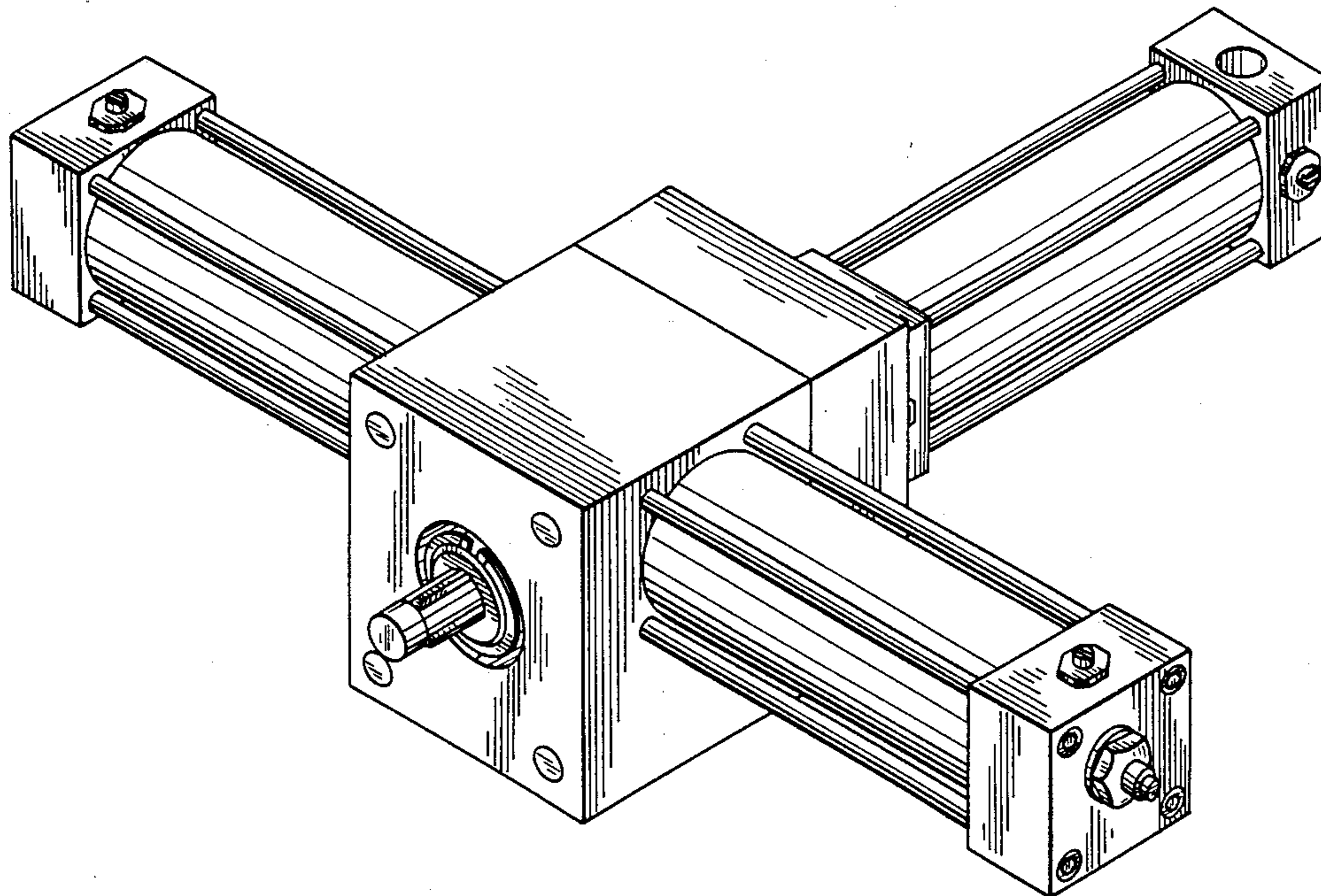
Primary Examiner—Bruce W. Dunkins
Assistant Examiner—Jeffrey Asch
Attorney, Agent, or Firm—LaForest S. Saulsbury

[57] CLAIM

The ornamental design for fluid-operated multimotion actuator, as shown and described.

DESCRIPTION

FIG. 1 is a top plan view of a fluid-operated multimotion actuator showing my new design;
FIG. 2 is a bottom plan view;
FIG. 3 is a right side elevational view;
FIG. 4 is a front elevational view;
FIG. 5 is a left side elevational view;
FIG. 6 is a rear elevational view; and
FIG. 7 is a top perspective view thereof.



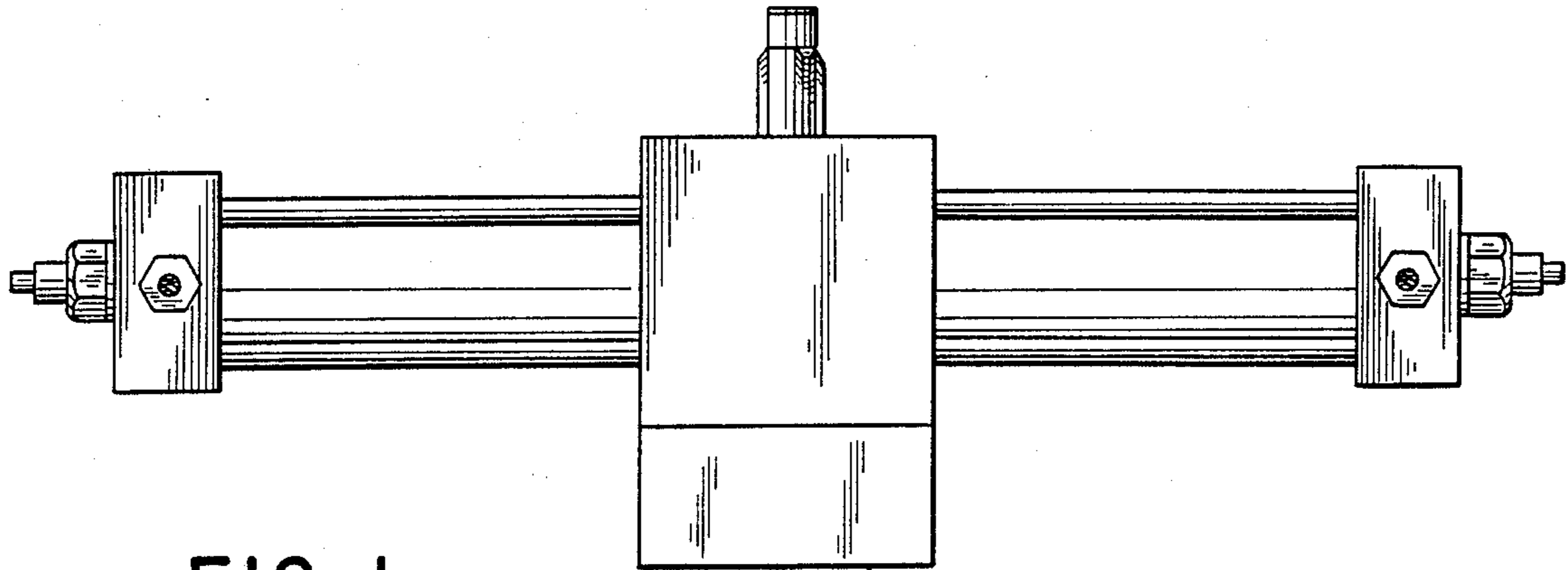


FIG. 1

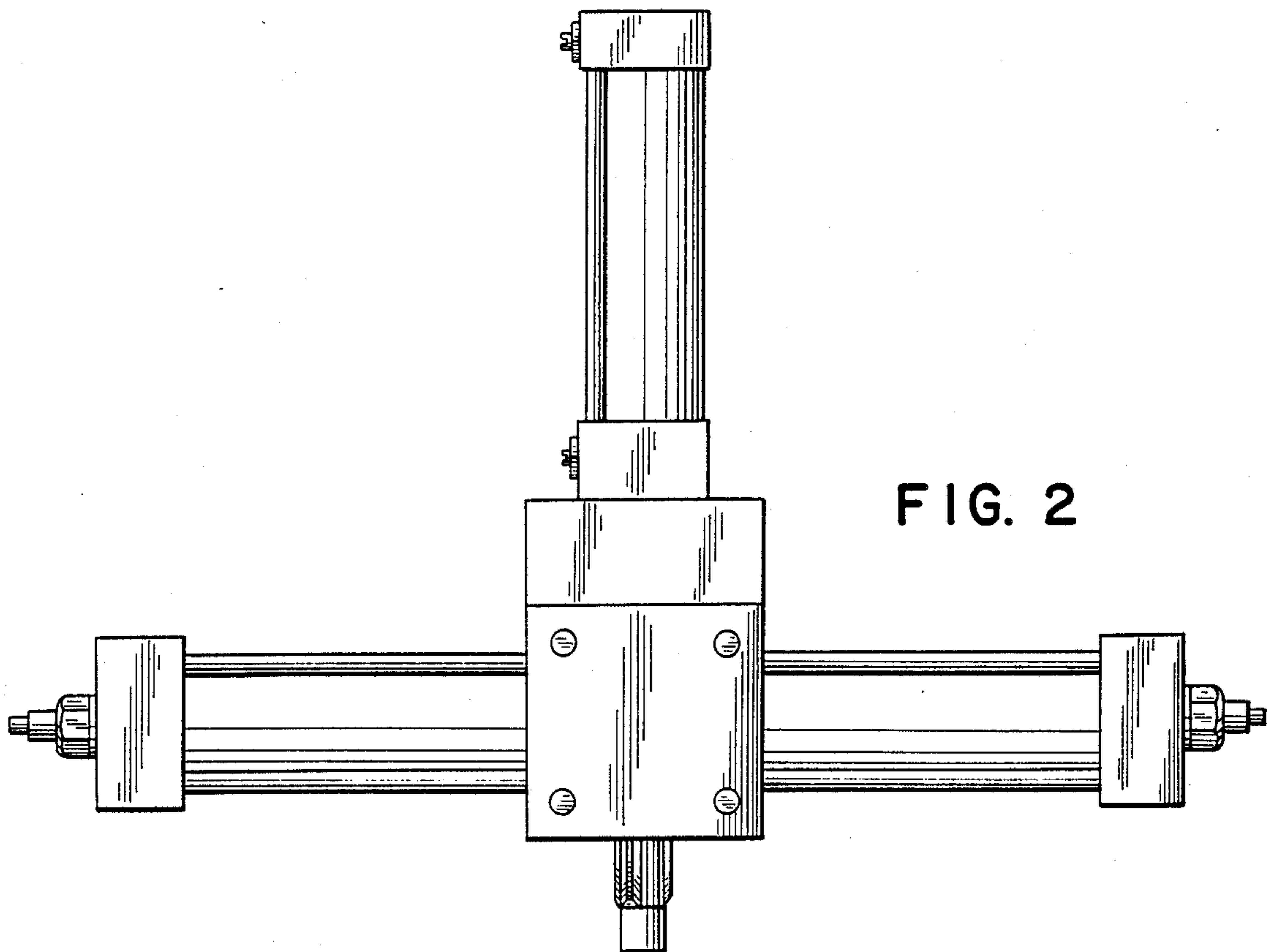


FIG. 2

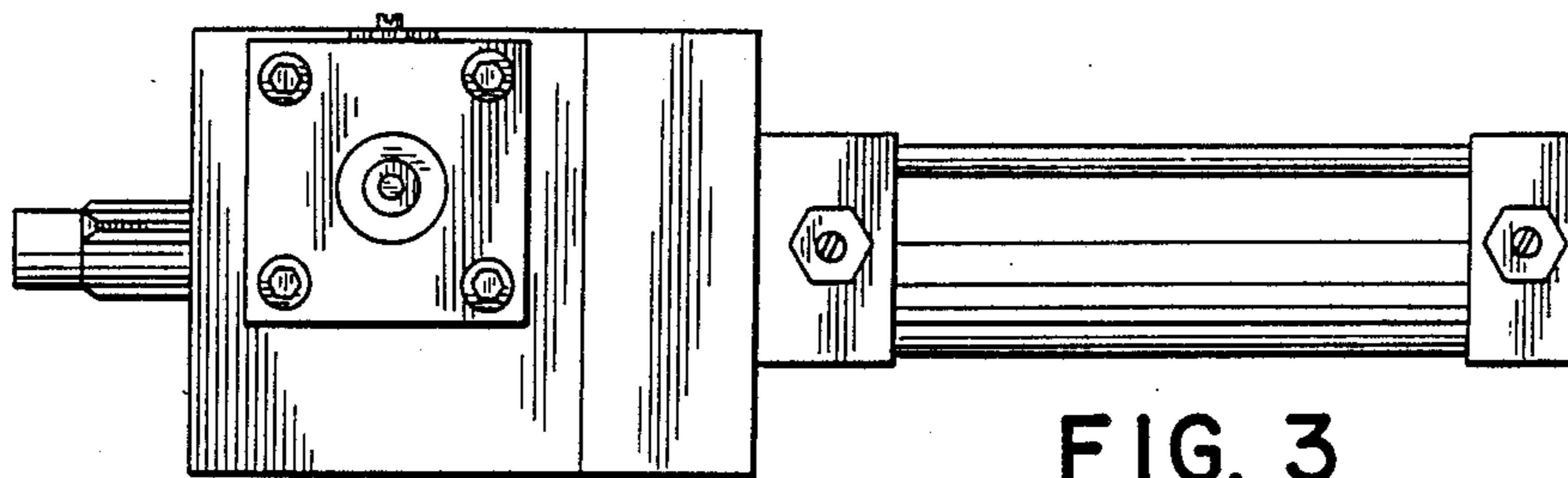


FIG. 3

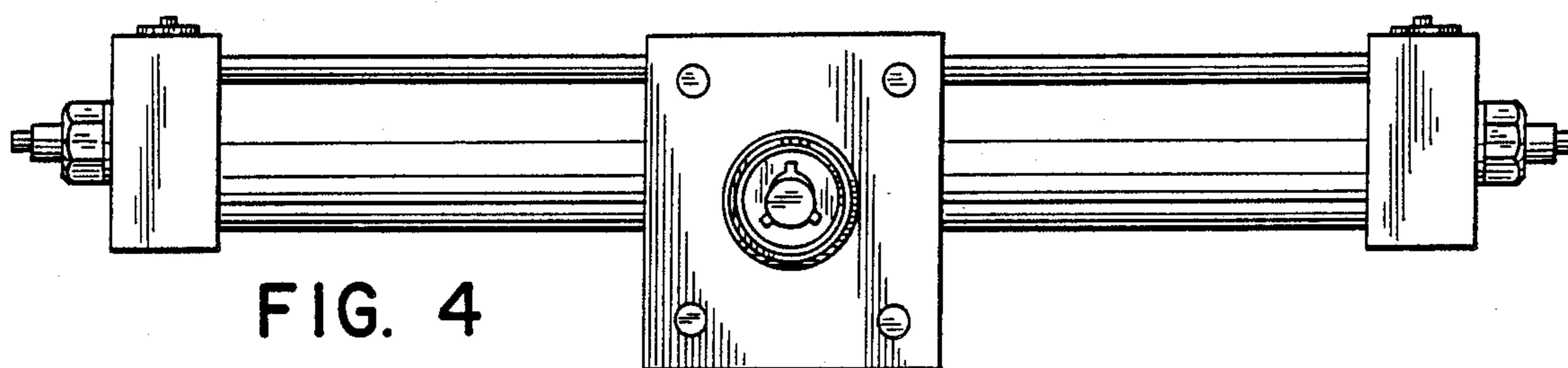


FIG. 4

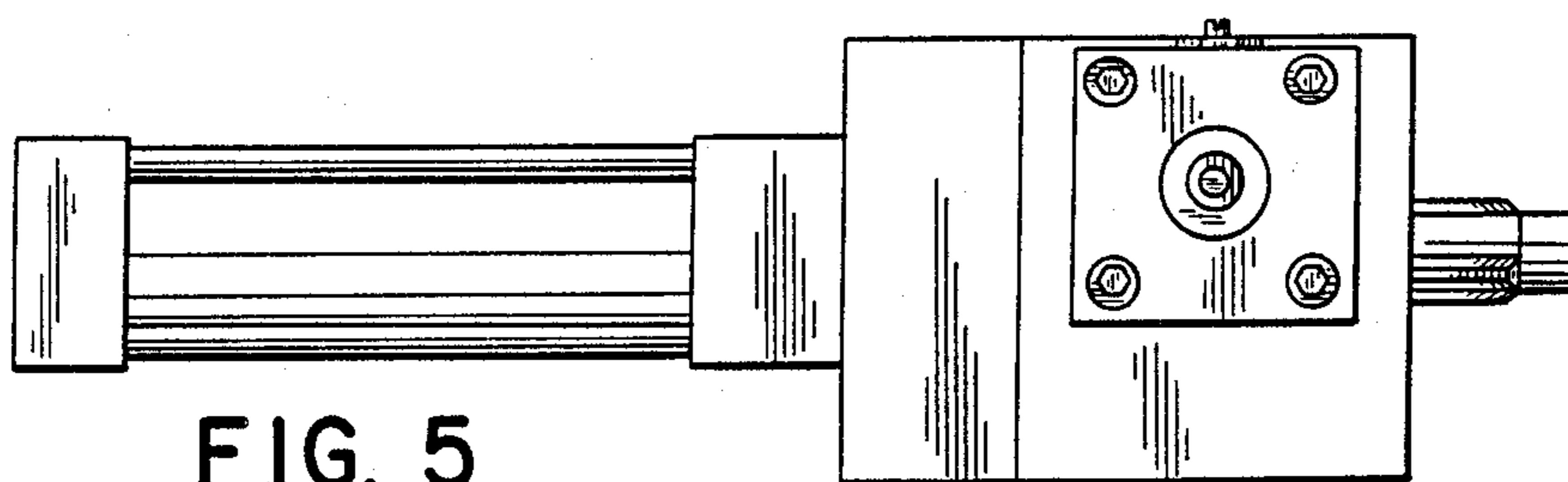


FIG. 5

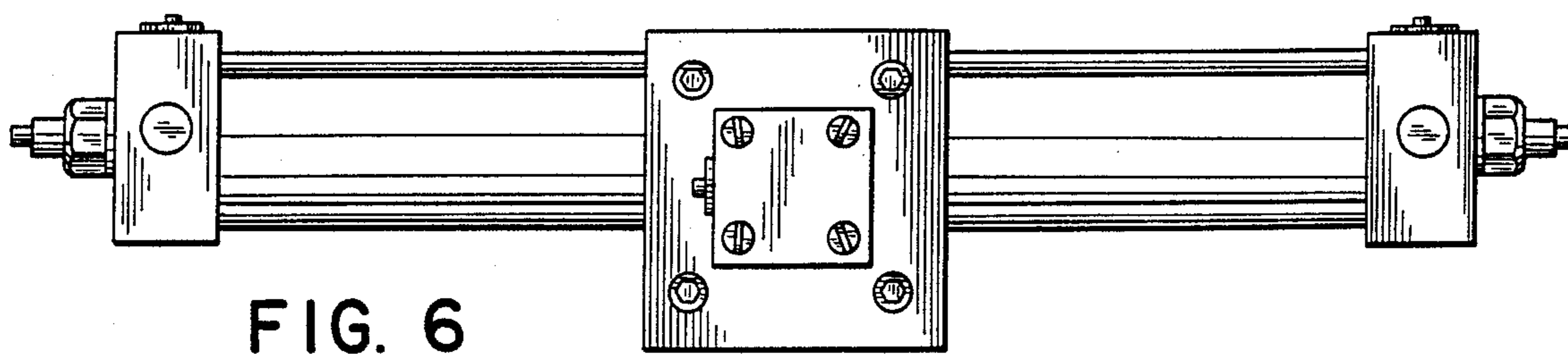


FIG. 6

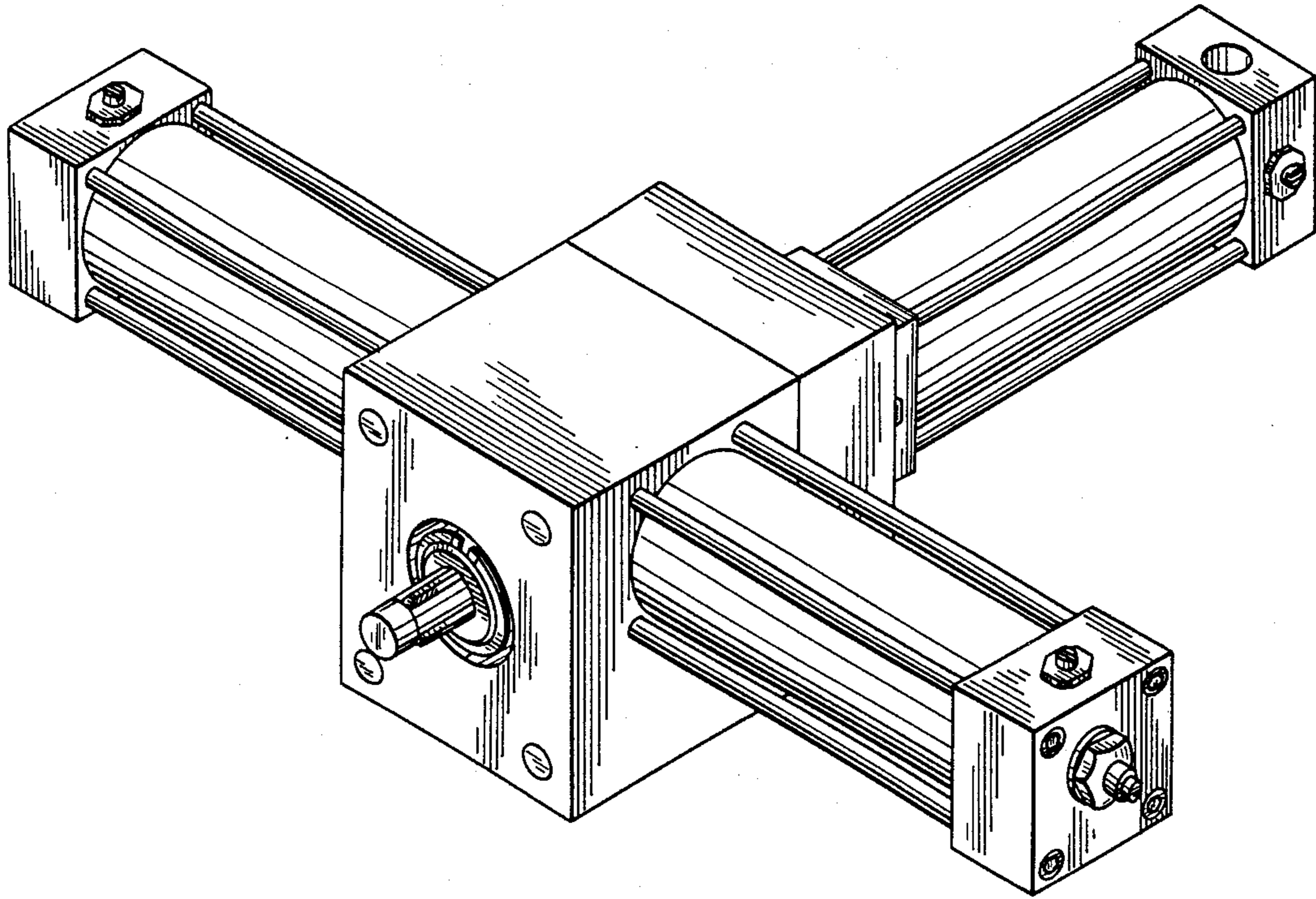


FIG. 7