

[54] **VIDEO DISPLAY FOR A COMPUTER**

[75] **Inventor: Sigmar Willnauer, Portola Valley, Calif.**

[73] **Assignee: Apple Computer, Inc., Cupertino, Calif.**

[*] **Notice: The portion of the term of this patent subsequent to May 22, 2004 has been disclaimed.**

[**] **Term: 14 Years**

[21] **Appl. No.: 29,407**

[22] **Filed: Mar. 23, 1987**

[52] **U.S. Cl. D14/113**

[58] **Field of Search D14/100-117;
D18/1, 7, 11, 12, 2, 5, 6; 235/145 A, 145 R;
340/700, 706, 711, 712; 400/677, 682, 472, 489,
492, 496, 676; 364/130, 144, 143, 145, 146, 189,
200, 706, 707, 708, 709, 710; 358/249, 254;
341/22, 23; 200/5 A**

[56] **References Cited**

U.S. PATENT DOCUMENTS

D. 284,008 5/1986 Esslinger et al. D14/113
D. 291,085 7/1987 Nuttall et al. D14/113
D. 295,863 5/1988 Sacherman D14/113

OTHER PUBLICATIONS

New York Times Magazine, Feb. 17, 1985, p. 1 (computer display), Computer Box.

Primary Examiner—Susan J. Lucas

Assistant Examiner—Freda S. Nunn

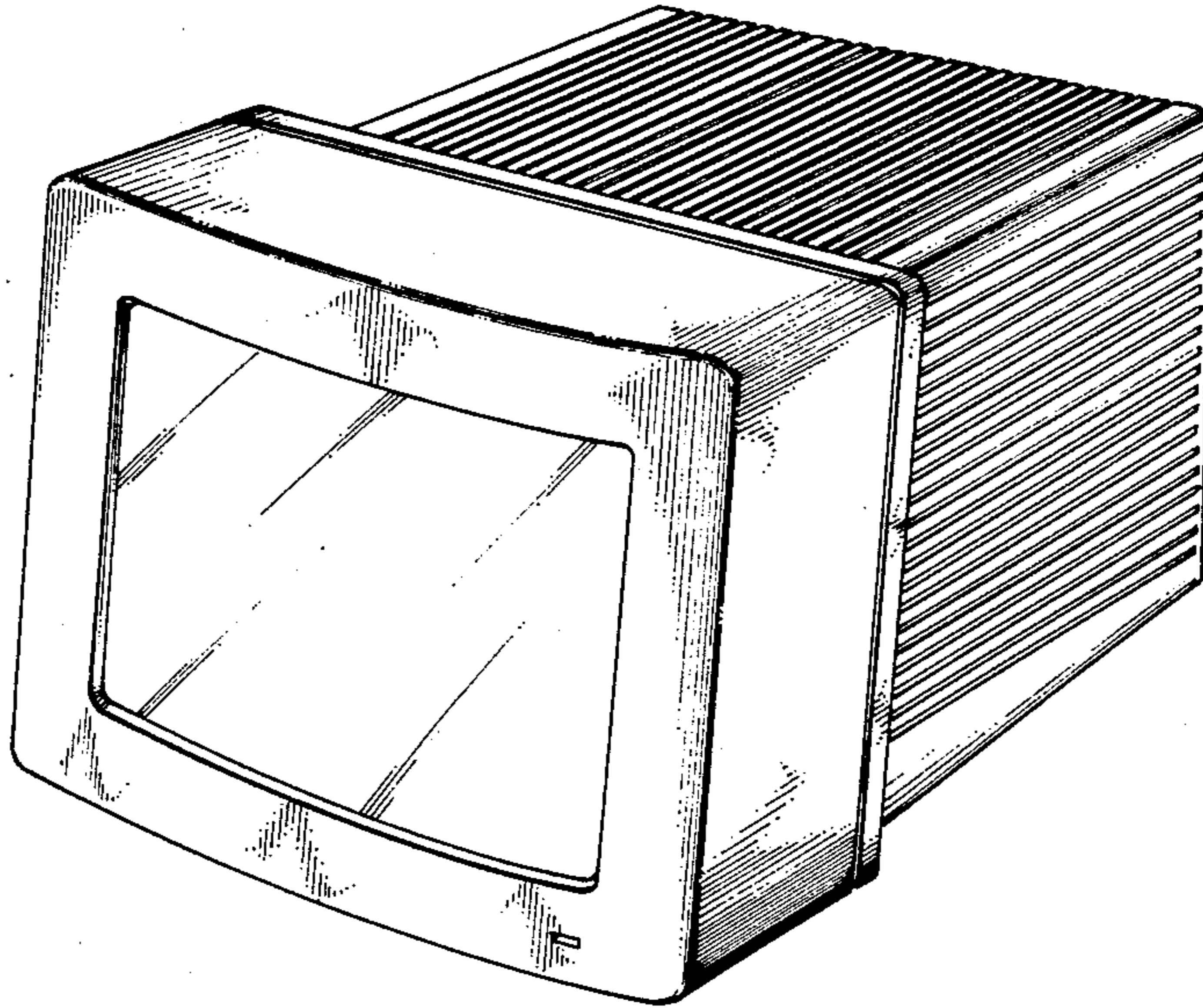
Attorney, Agent, or Firm—Blakely, Sokoloff, Taylor & Zafman

[57] **CLAIM**

The ornamental design for a video display for a computer, as shown.

DESCRIPTION

FIG. 1 is a right front perspective view of a video display for a computer showing my new design;
FIG. 2 is a top plan view thereof;
FIG. 3 is a front elevational view thereof;
FIG. 4 is a right side elevational view thereof;
FIG. 5 is a left side elevational view thereof;
FIG. 6 is a back elevational view thereof;
FIG. 7 is a bottom plan view thereof.



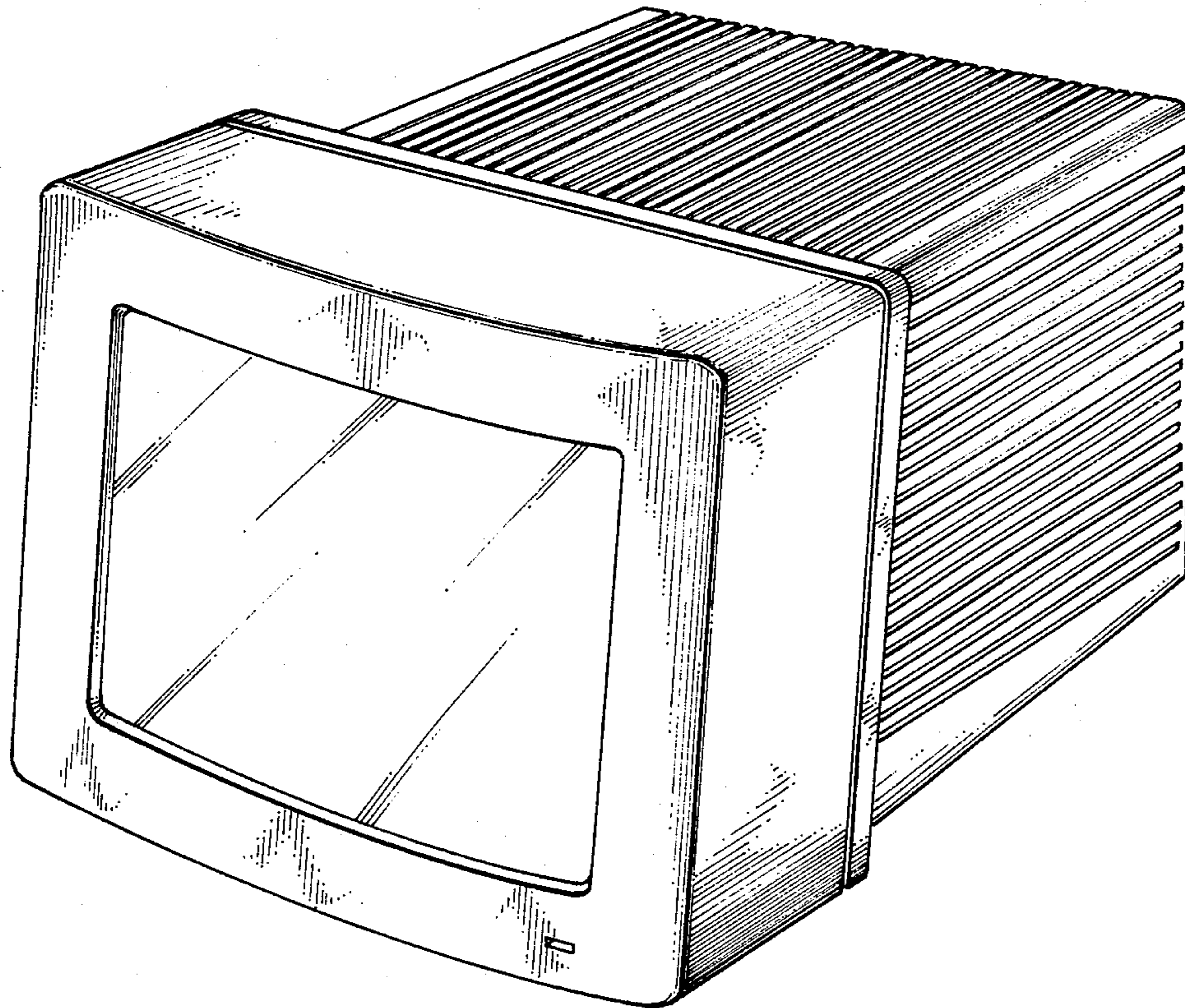


Fig. 1

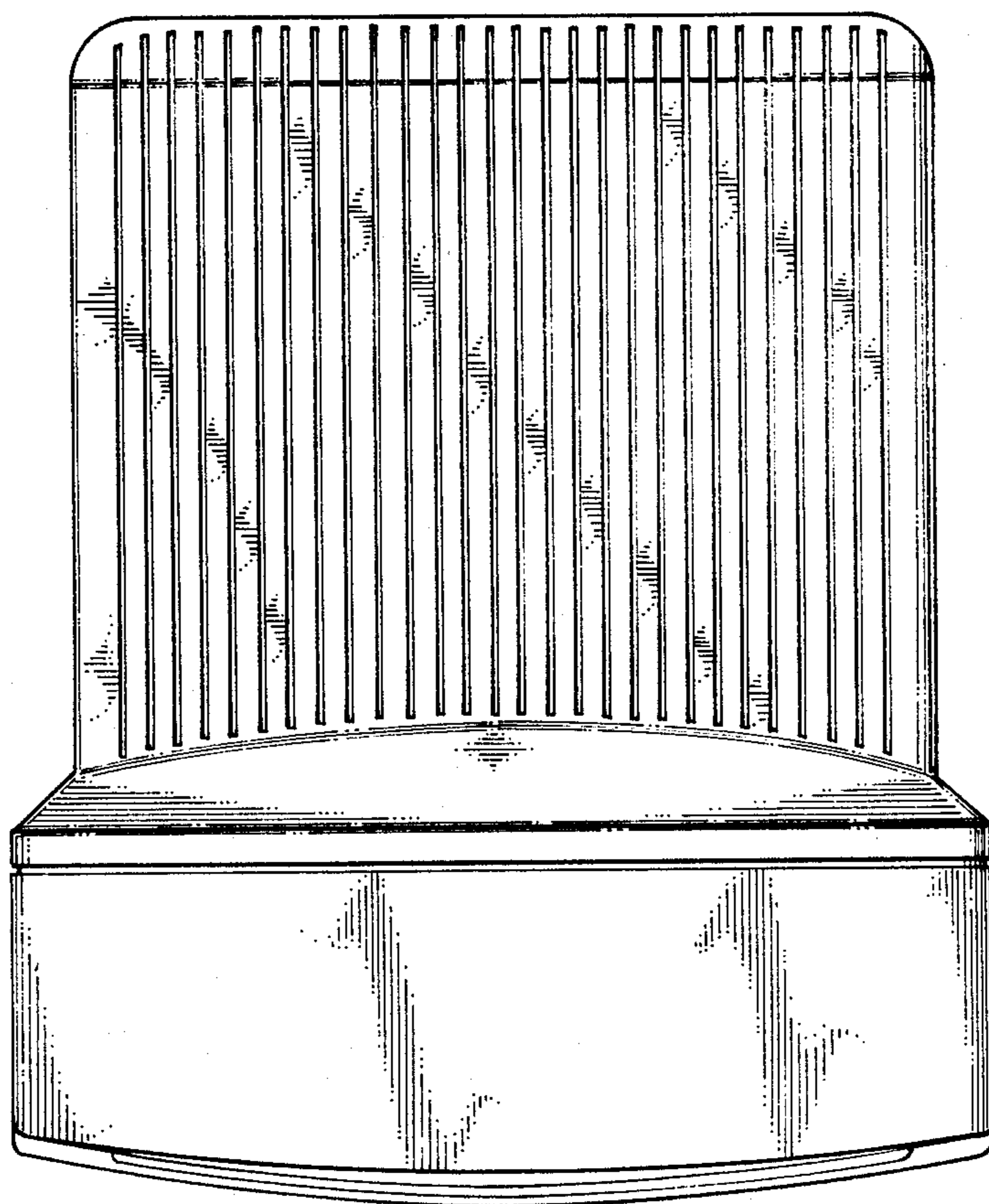


Fig. 2

Fig. 3

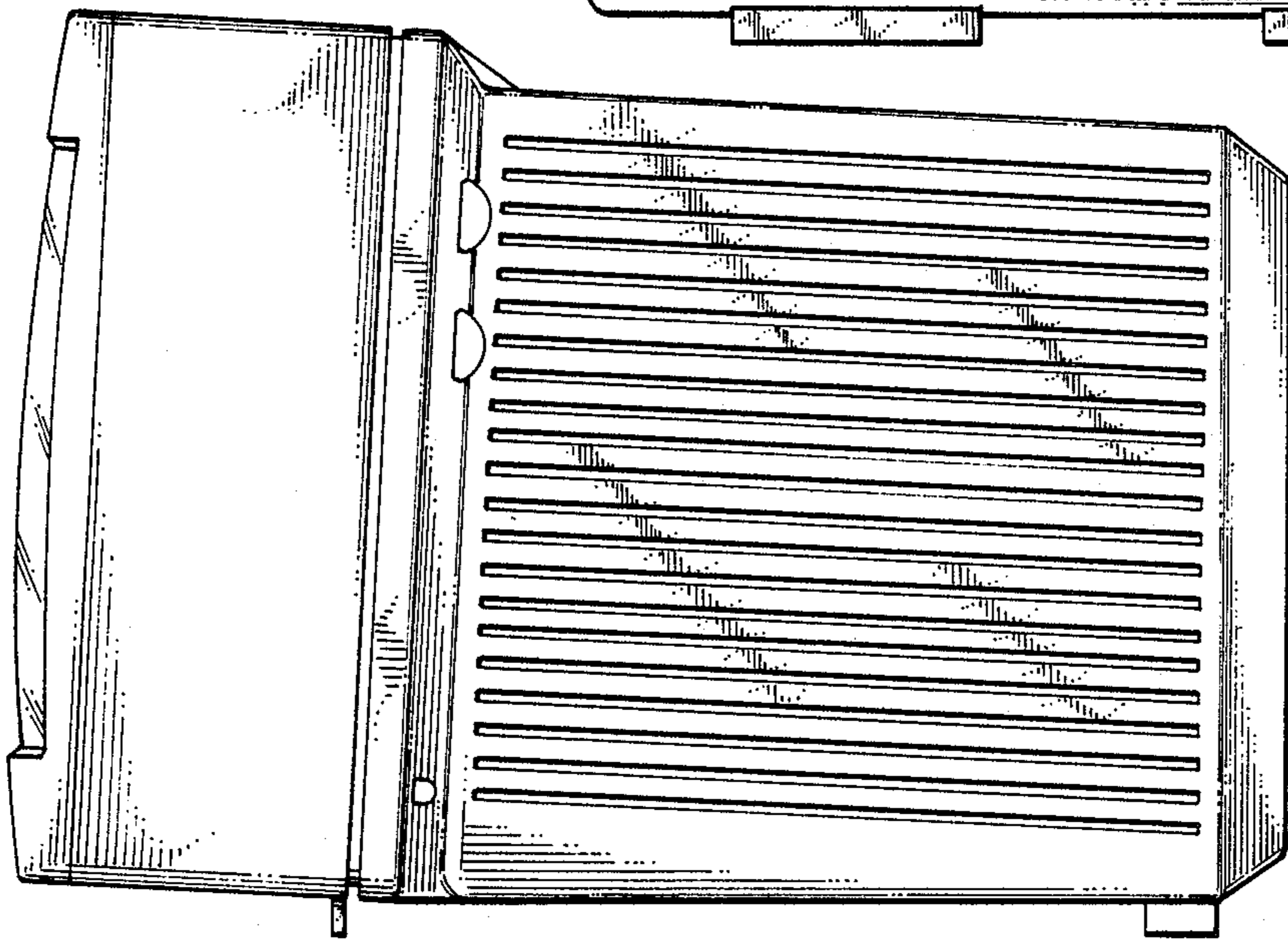
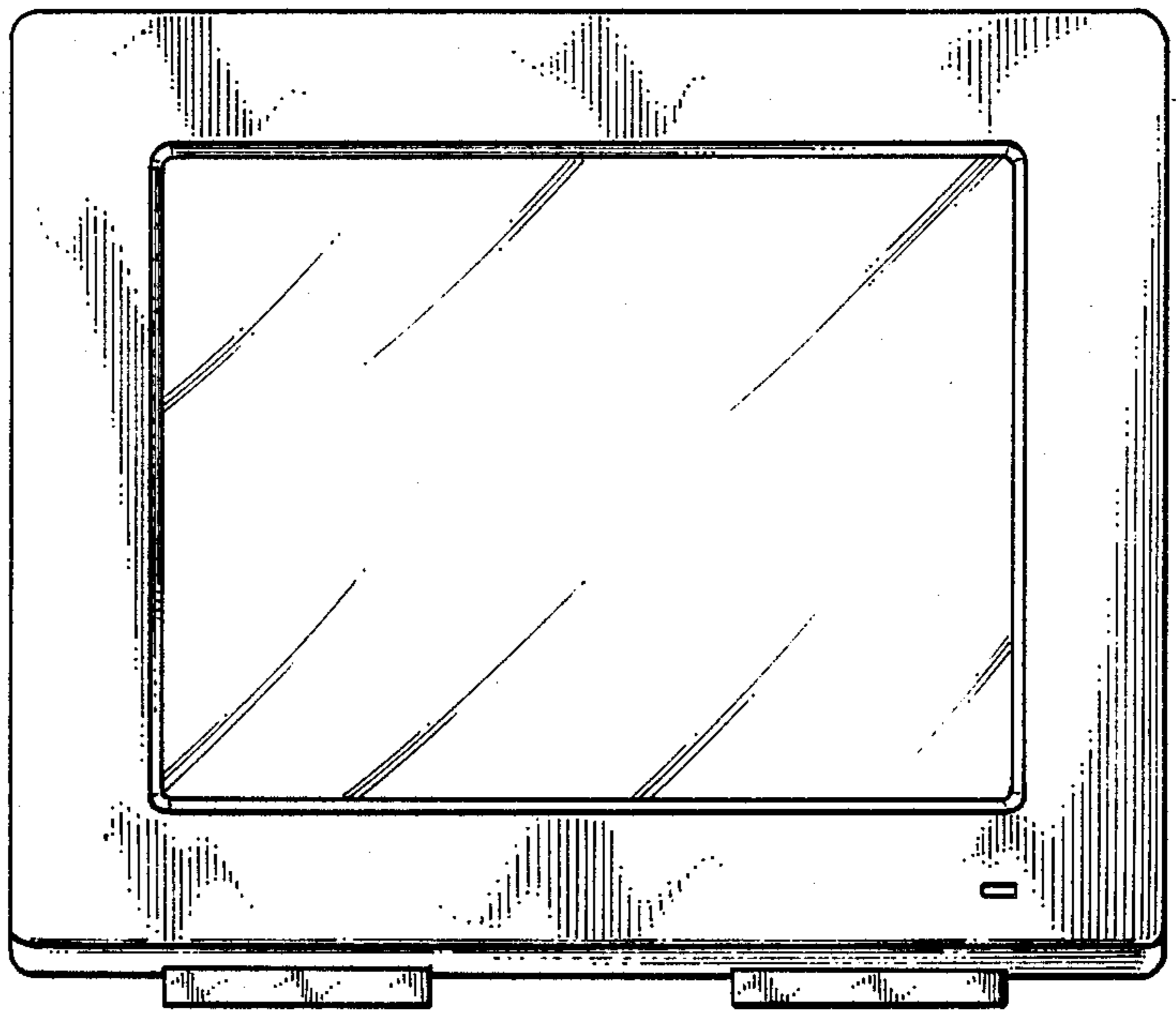


Fig. 4

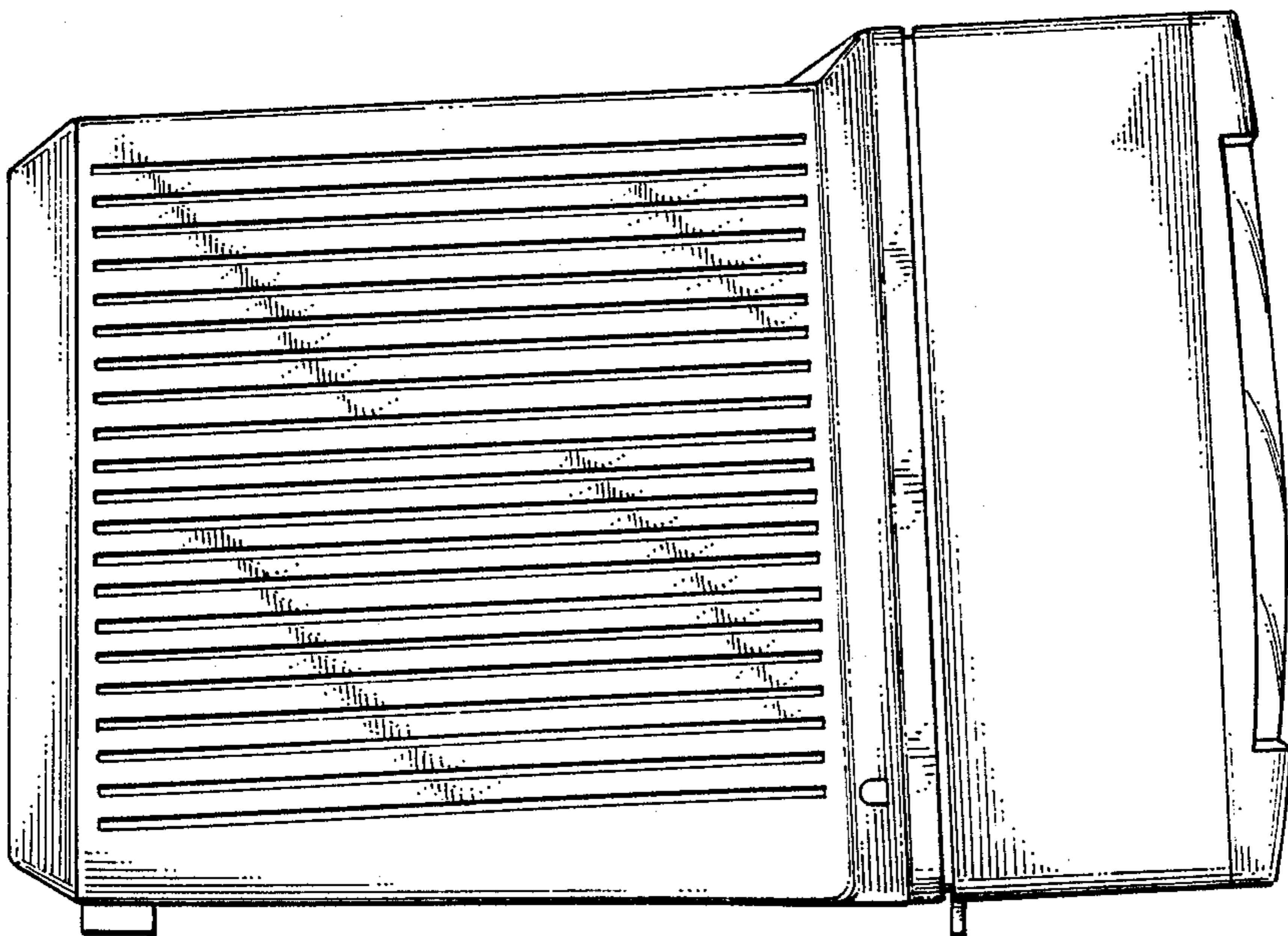


Fig. 5

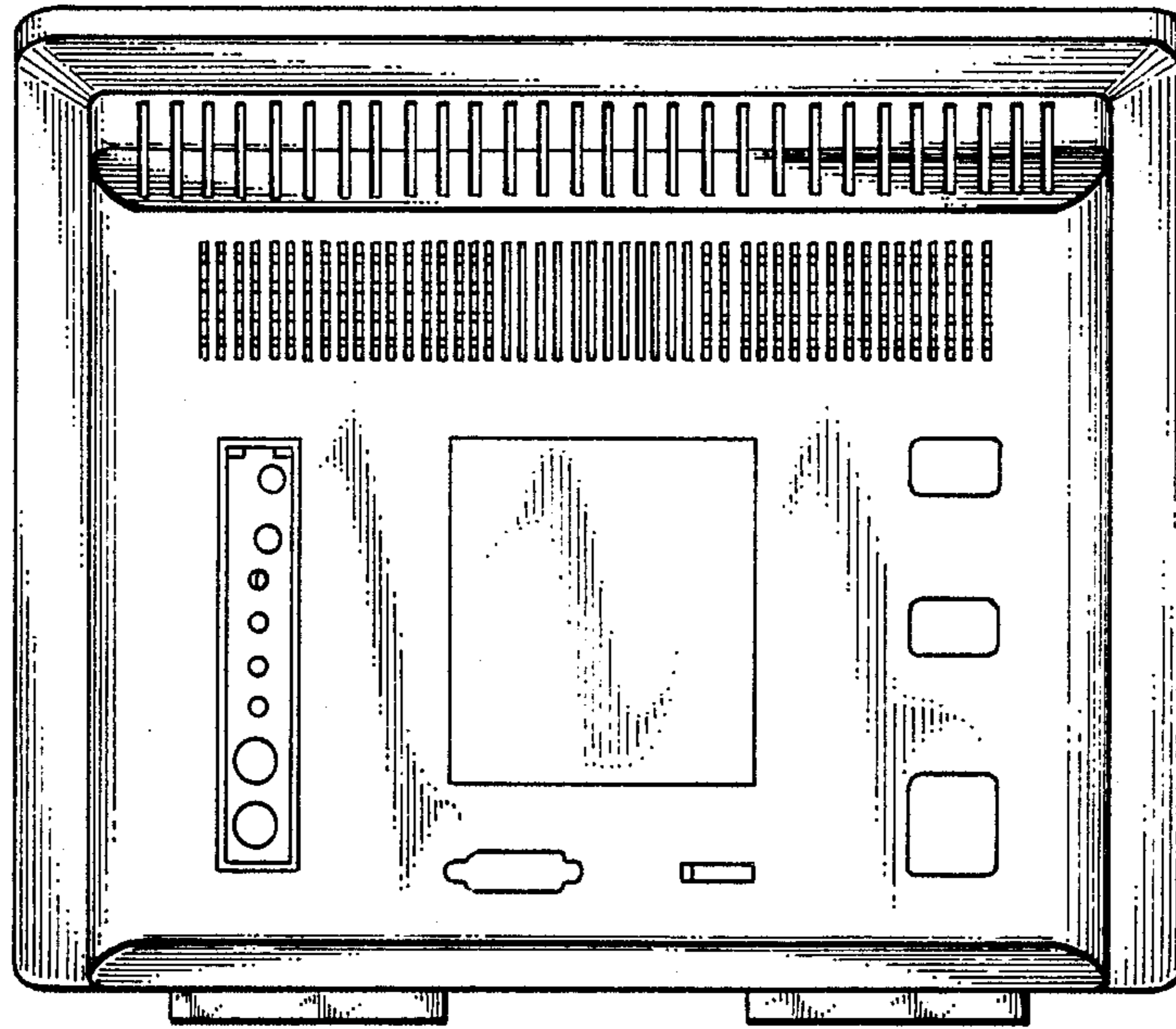


Fig. 6

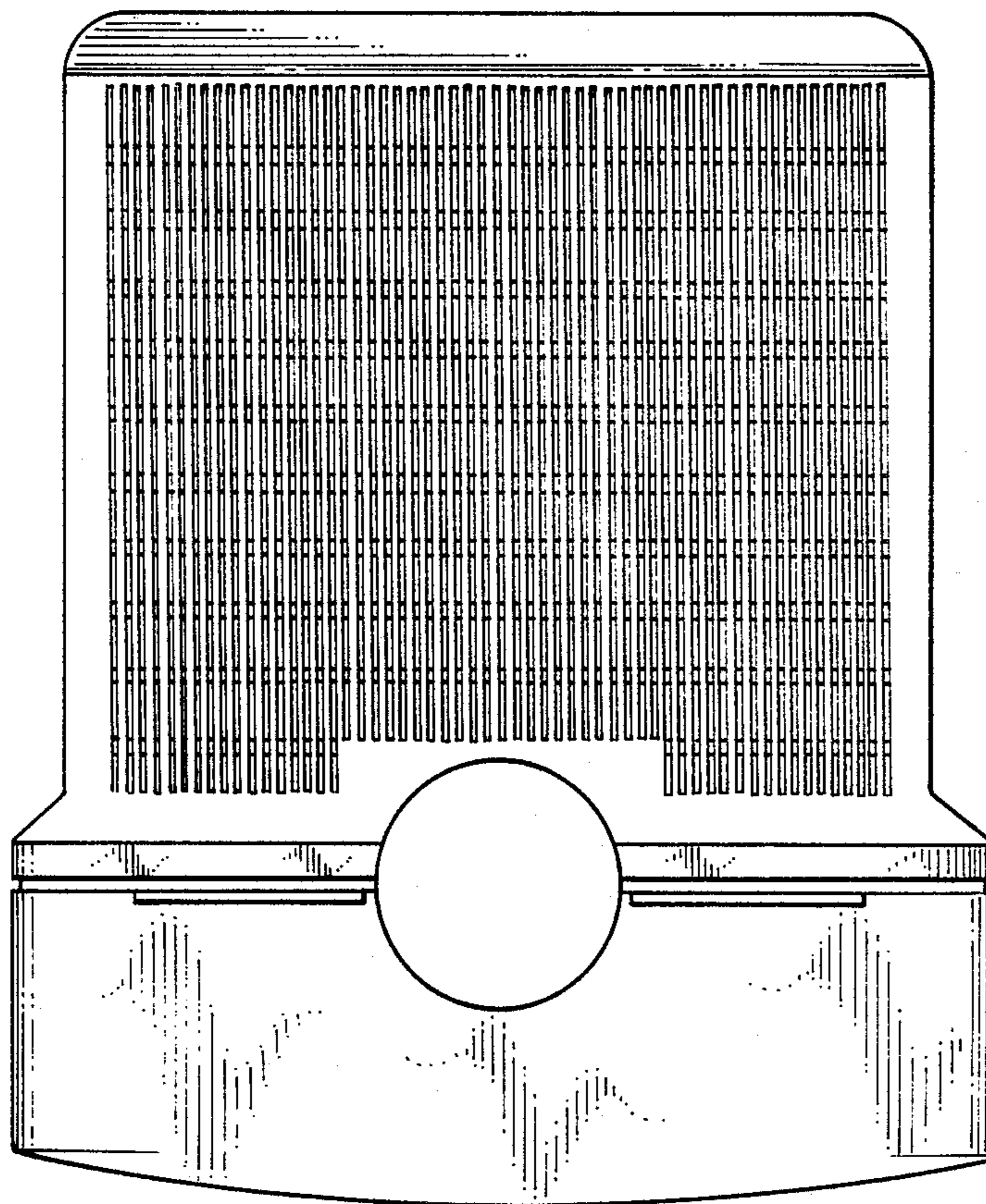


Fig. 7