

[54] **CRT VISUAL DISPLAY TERMINAL**

[75] **Inventor: Frank J. Profumo, New Orleans, La.**

[73] **Assignee: The Laitram Corporation, Harahan, La.**

[\*\*] **Term: 14 Years**

[21] **Appl. No.: 885,501**

[22] **Filed: Jul. 14, 1986**

[52] **U.S. Cl. .... D14/113**

[58] **Field of Search ..... D14/100, 105, 106, 102, D14/107, 109, 113, 114, 103; D13/40, 41; 312/208; 340/709, 720, 815.06, 815.14; 364/130, 144, 708; D18/7**

[56] **References Cited**

**U.S. PATENT DOCUMENTS**

- D. 207,639 5/1967 Walstrom ..... D14/114
- D. 220,824 5/1971 Adams et al. .... D14/106
- D. 222,896 1/1972 Abend et al. .... D18/7
- D. 273,112 3/1984 Sliwkowski et al. .... D14/103
- D. 297,842 9/1988 Brannon ..... D14/106

**OTHER PUBLICATIONS**

Micro Switch a Honeywell Division, ©1984, p. inside

back cover—(Display shown in 2nd photo from top) Computer Box.

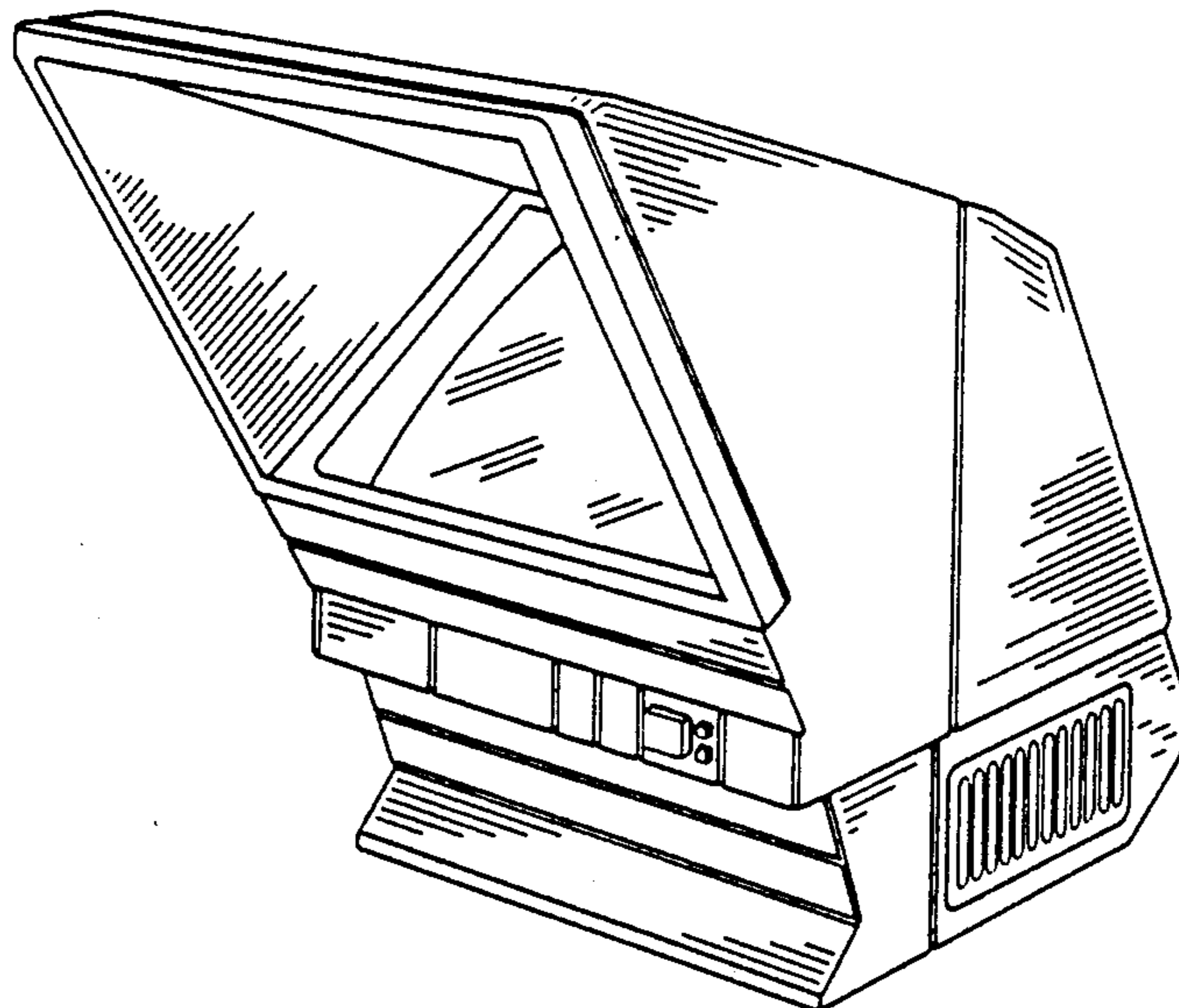
*Primary Examiner*—Susan J. Lucas  
*Assistant Examiner*—Freda S. Nunn  
*Attorney, Agent, or Firm*—James C. Kesterson

[57] **CLAIM**

The ornamental design for a CRT visual display terminal, as shown and described.

**DESCRIPTION**

FIG. 1 is a perspective view of a CRT visual display terminal showing my new design;  
FIG. 2 is a front elevation view thereof;  
FIG. 3 is a side elevation view thereof;  
FIG. 4 is a perspective view of a CRT visual display terminal showing a second embodiment of my new design;  
FIG. 5 is a front elevation view of FIG. 4;  
FIG. 6 is a side elevation view of FIG. 4;  
FIG. 7 is a top plan view of FIG. 1;  
FIG. 8 is an opposite side elevation view of FIG. 1;  
FIG. 9 is a rear elevation view of FIG. 1,  
FIG. 10 is a top plan view of FIG. 4;  
FIG. 11 is a rear elevation view of FIG. 4;  
FIG. 12 is an opposite side elevation view of FIG. 4.



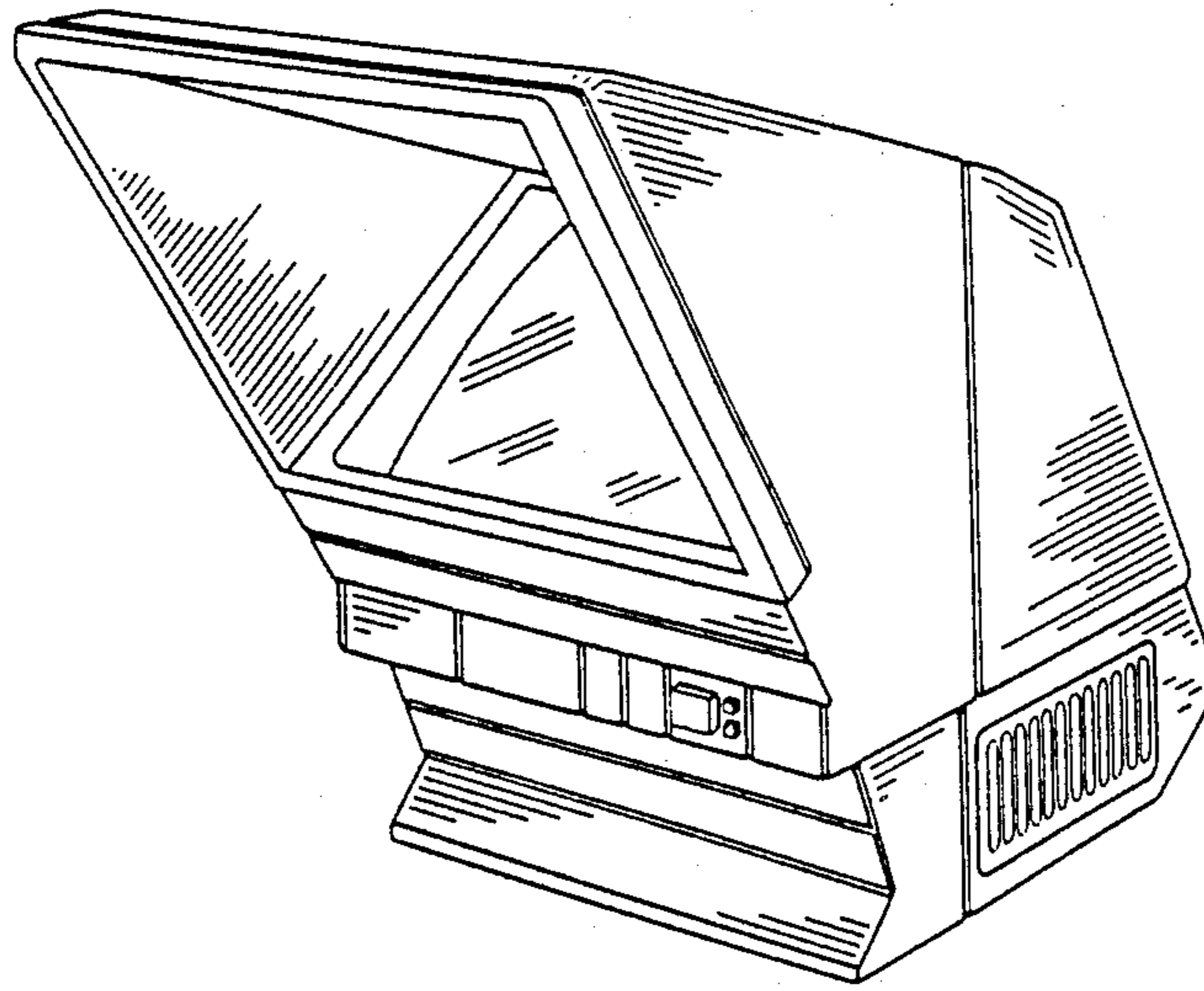


FIG. 1

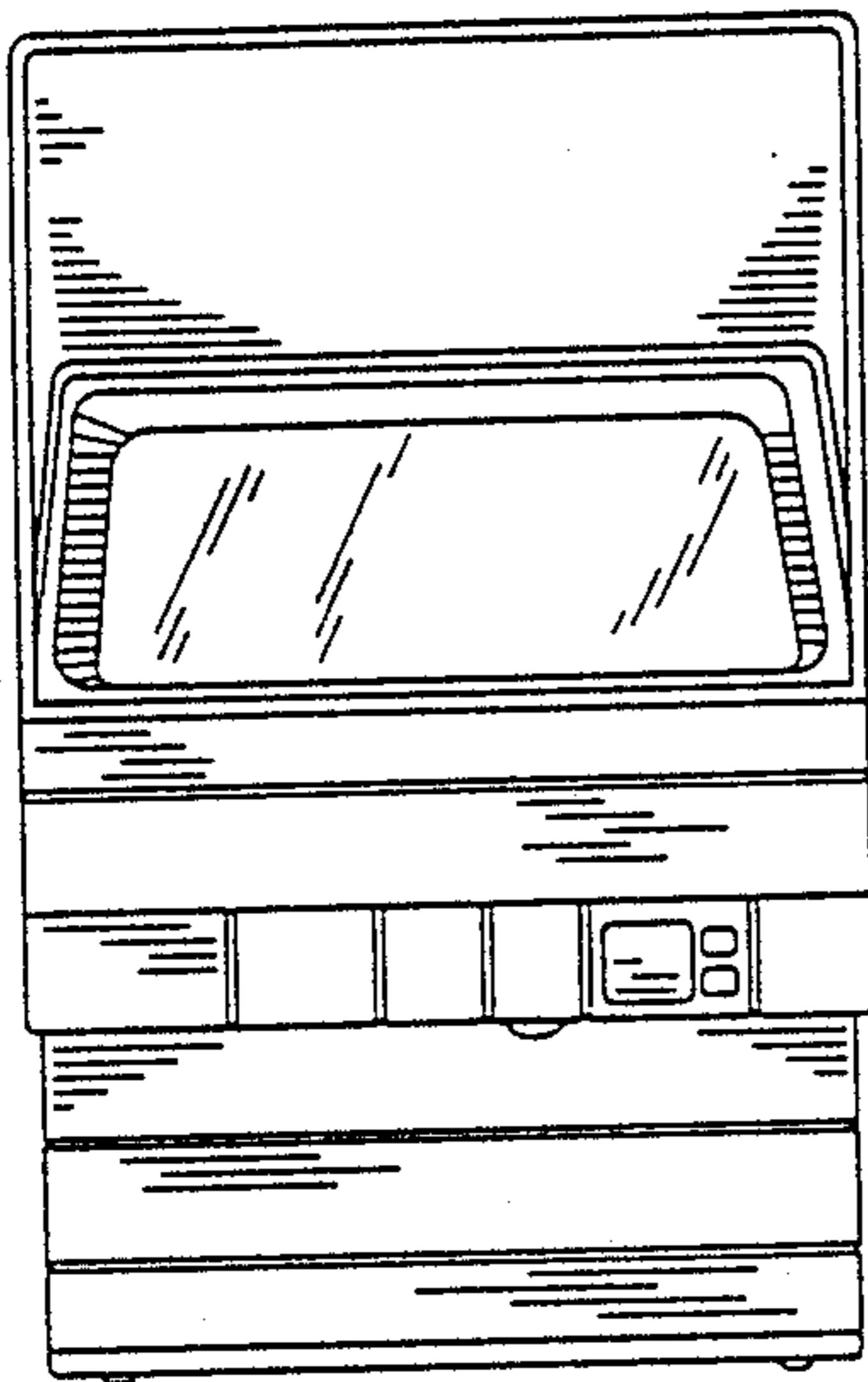


FIG. 2

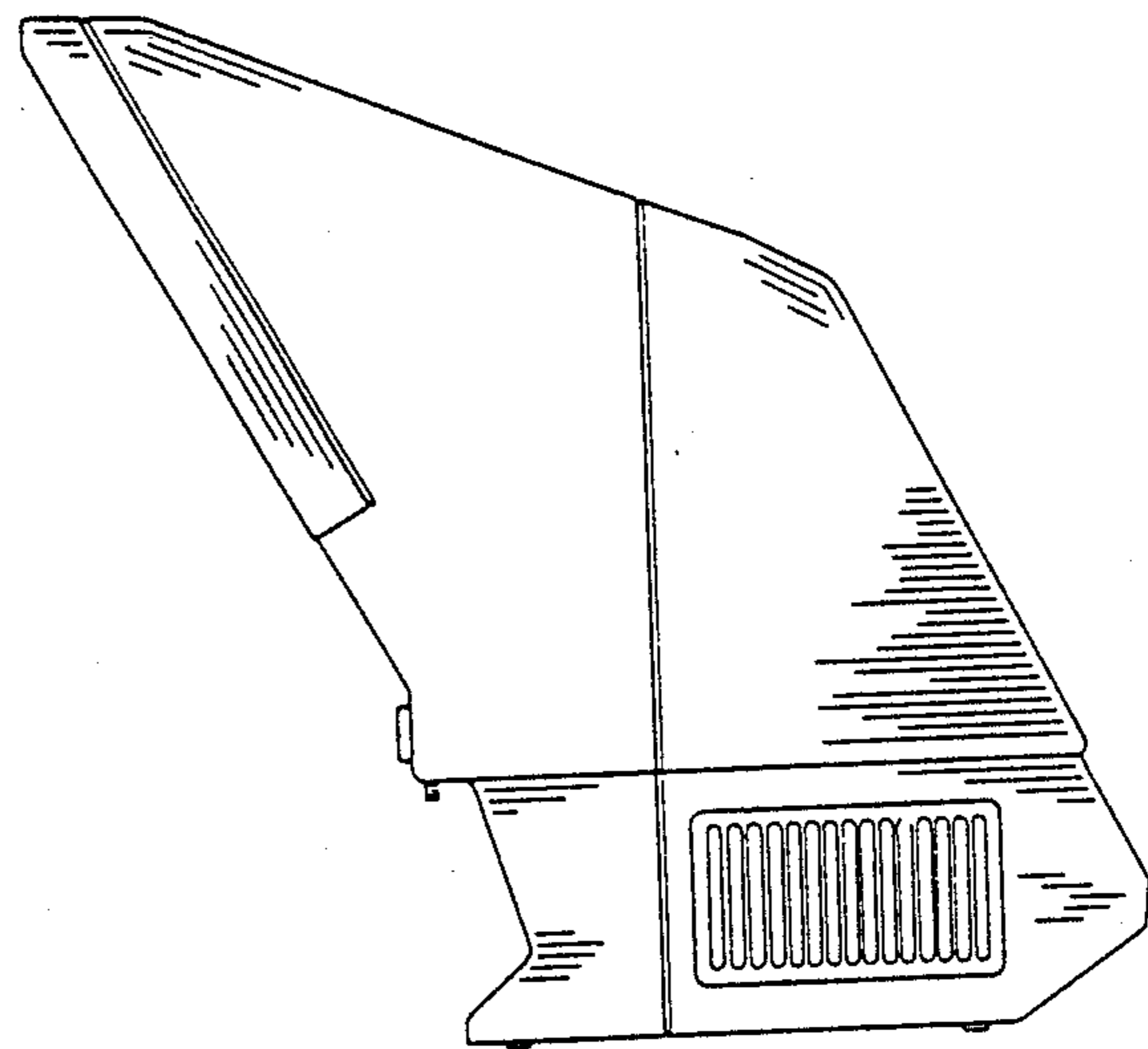


FIG. 3

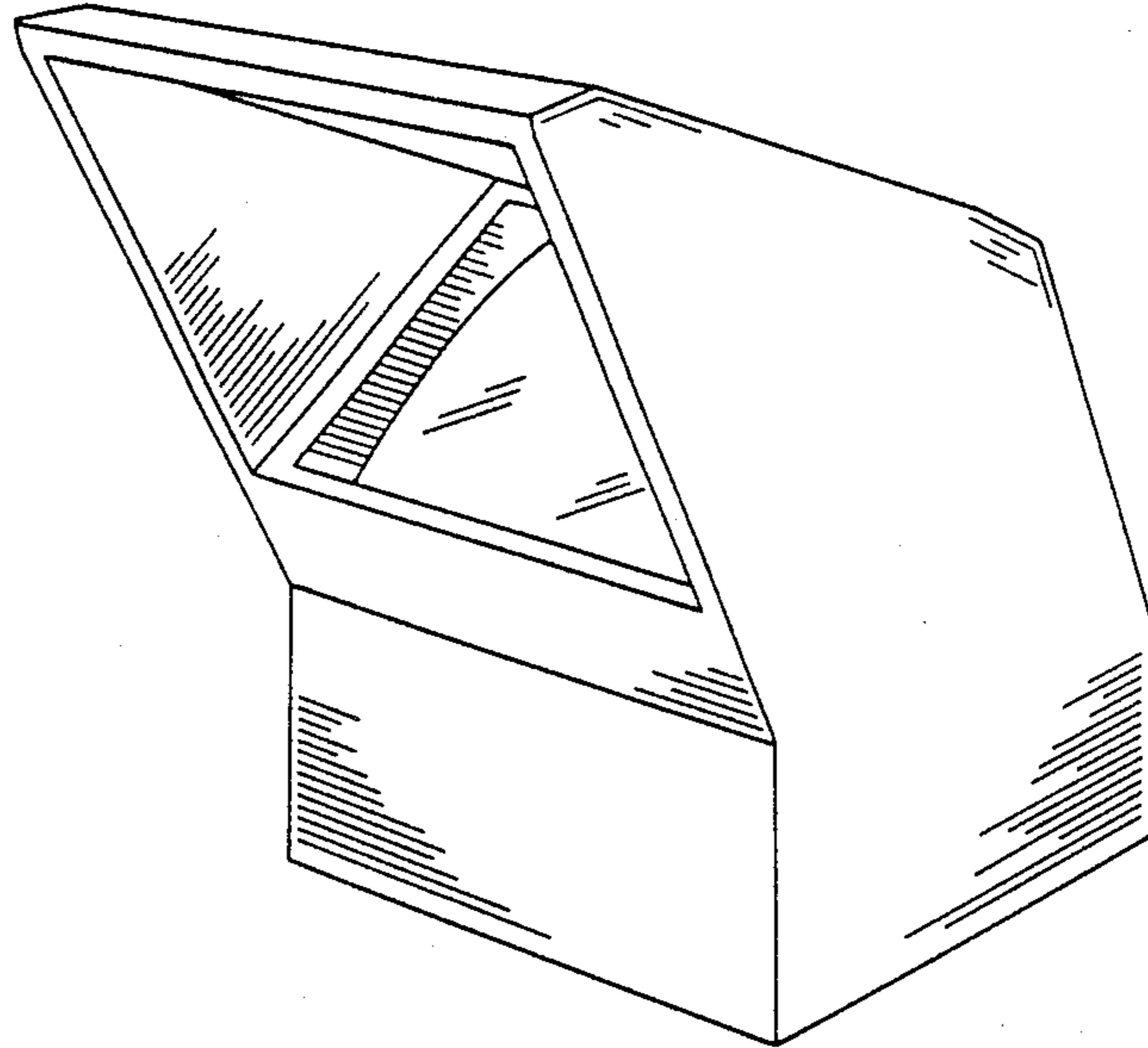


FIG. 4

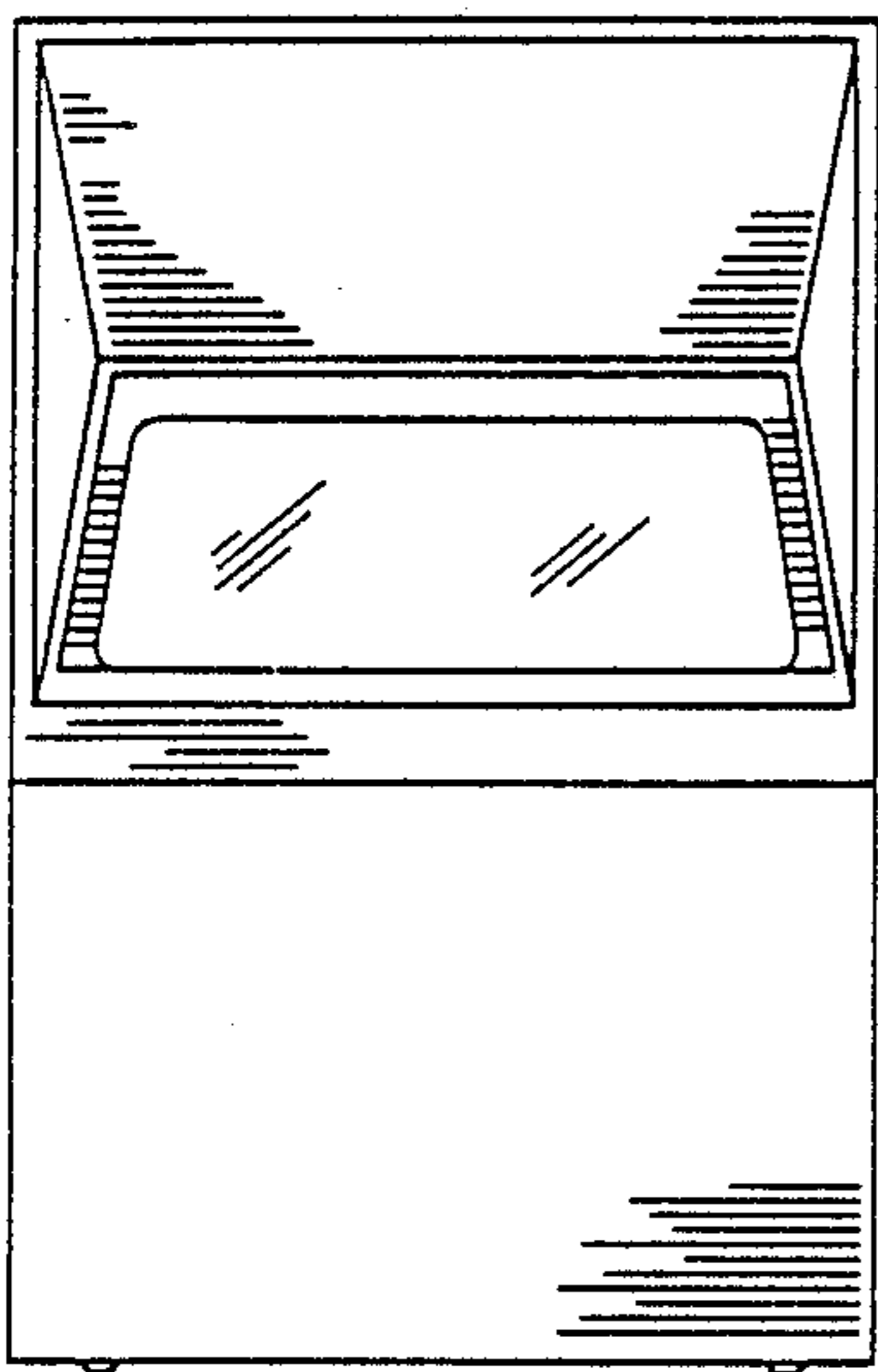


FIG. 5

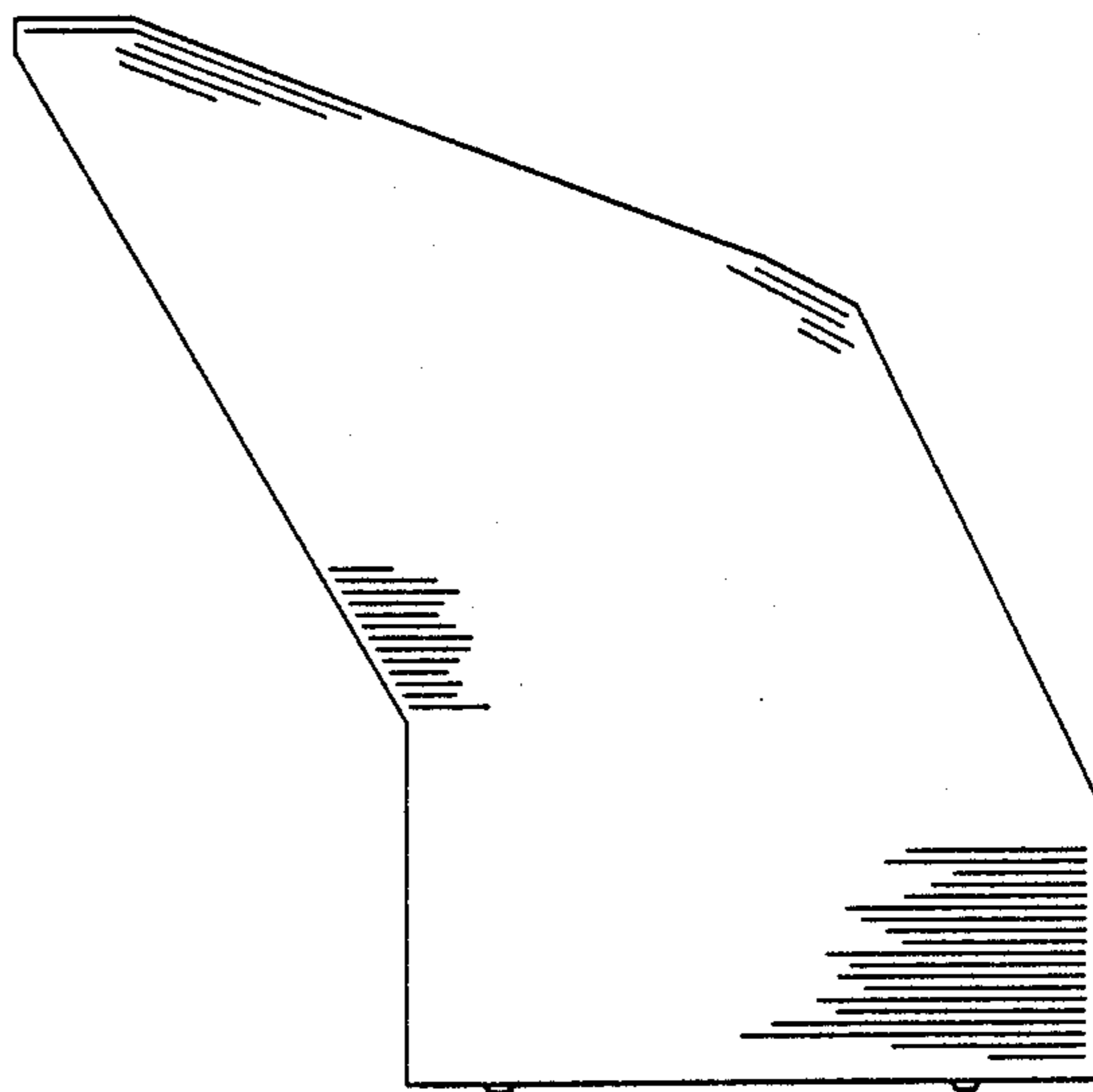


FIG. 6

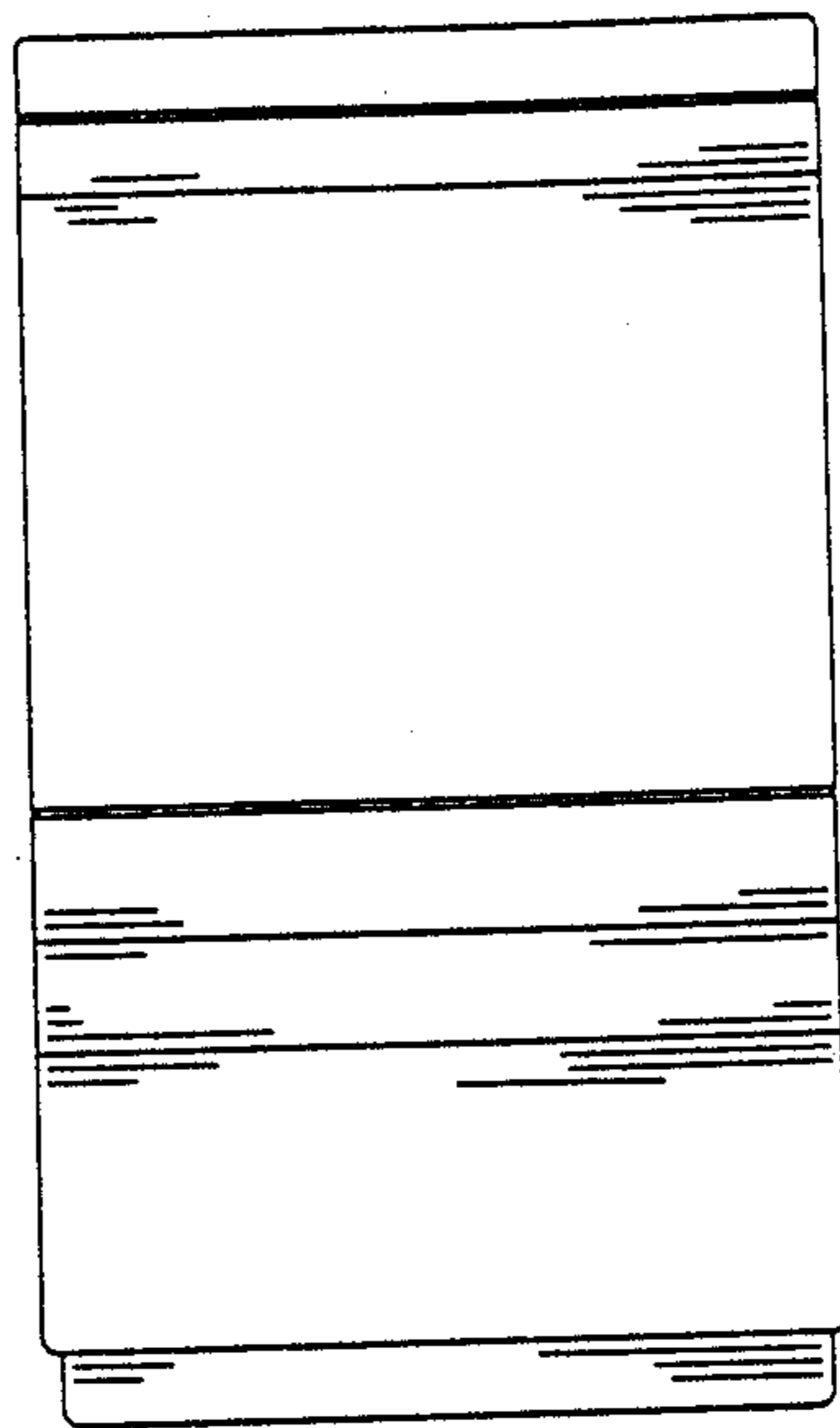


FIG. 7

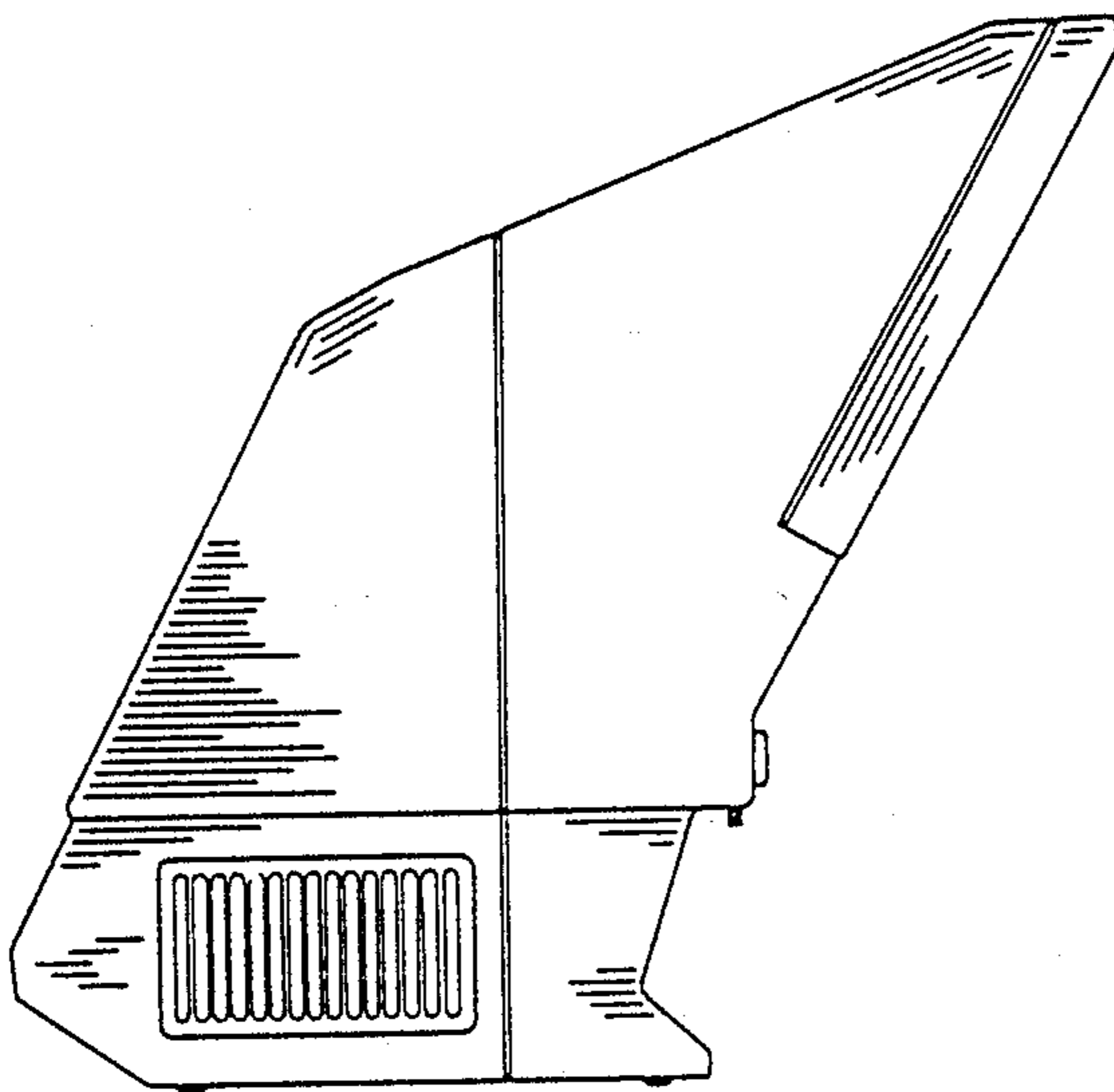


FIG. 8

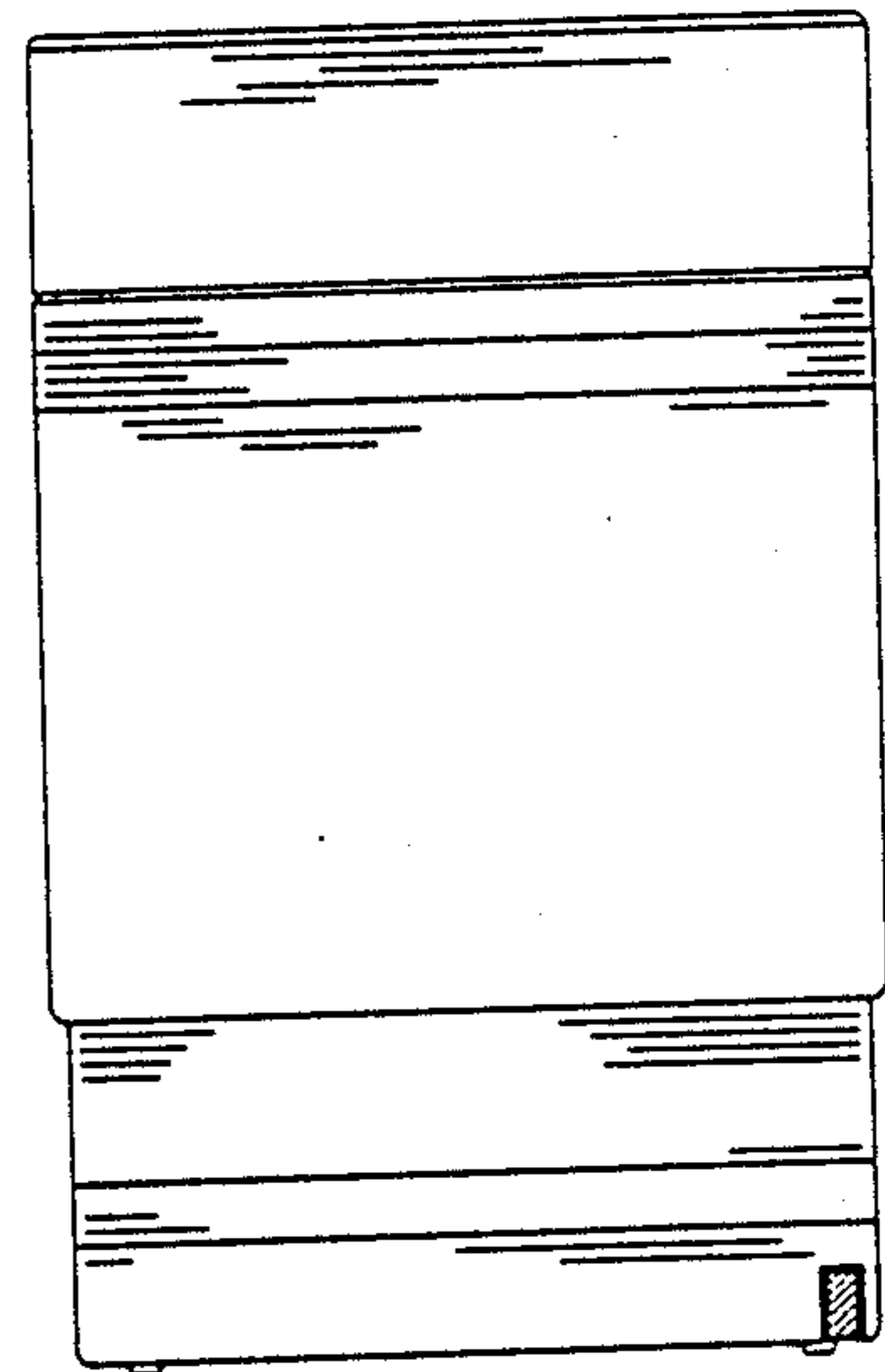


FIG. 9

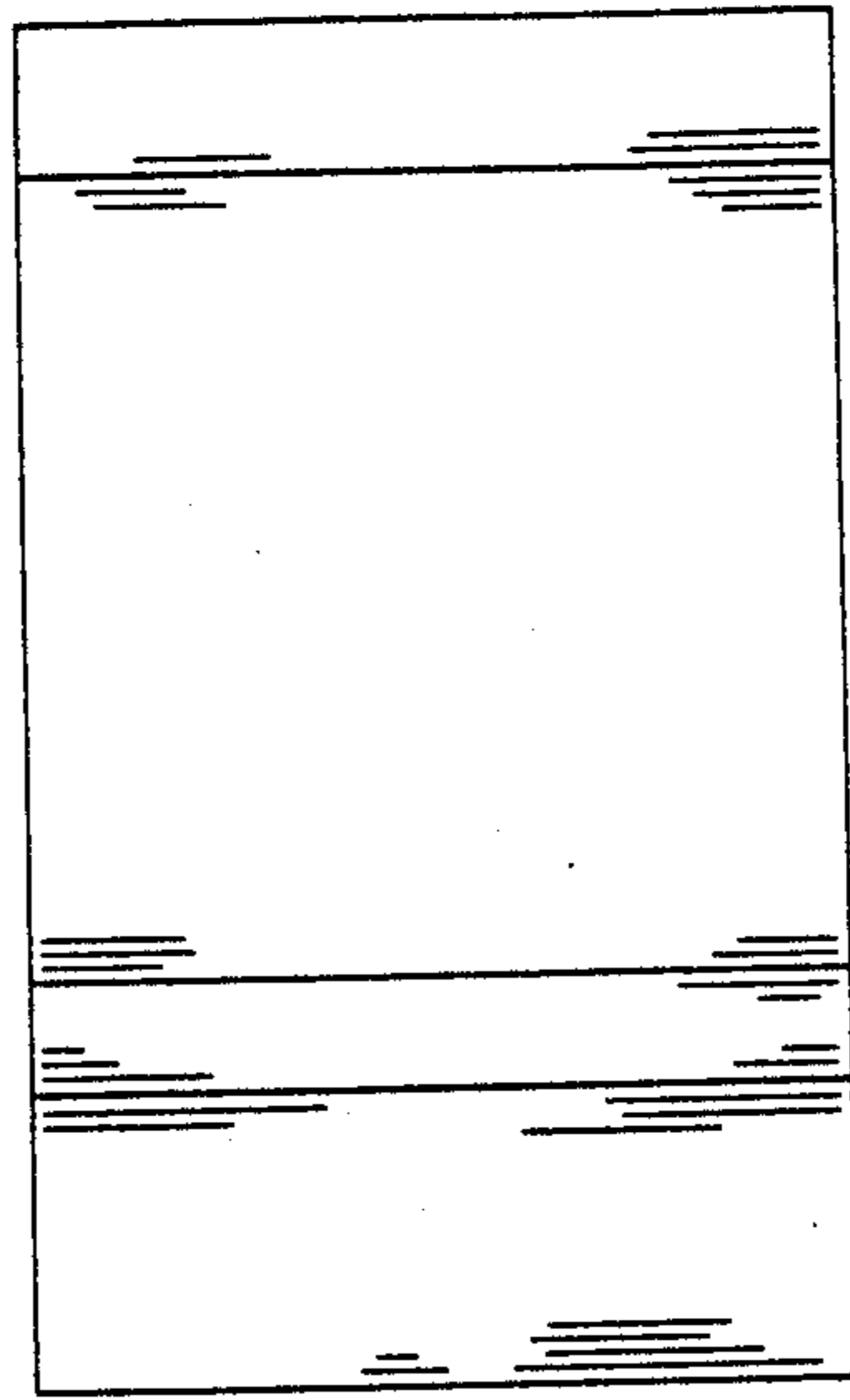


FIG. 10

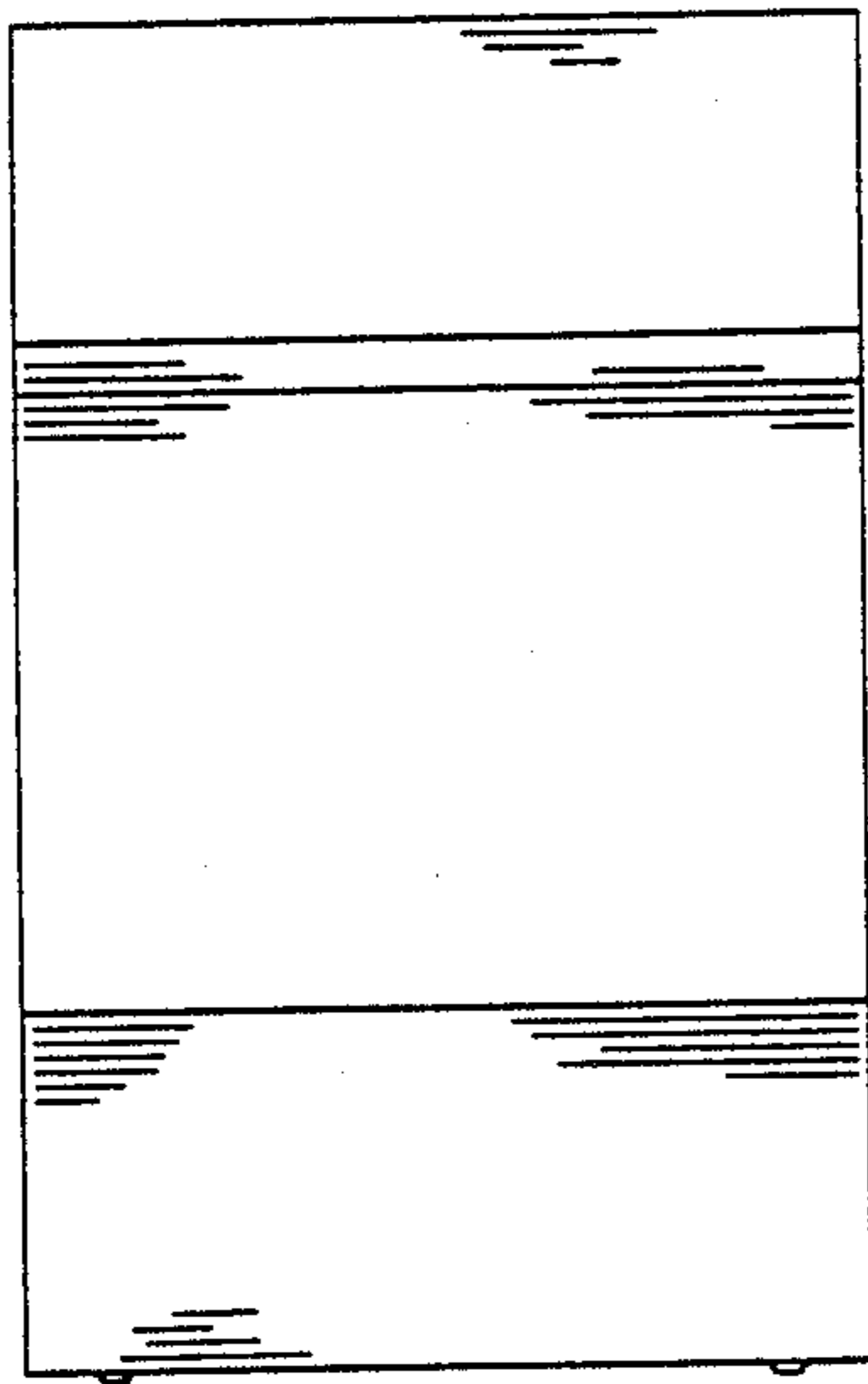


FIG. 11

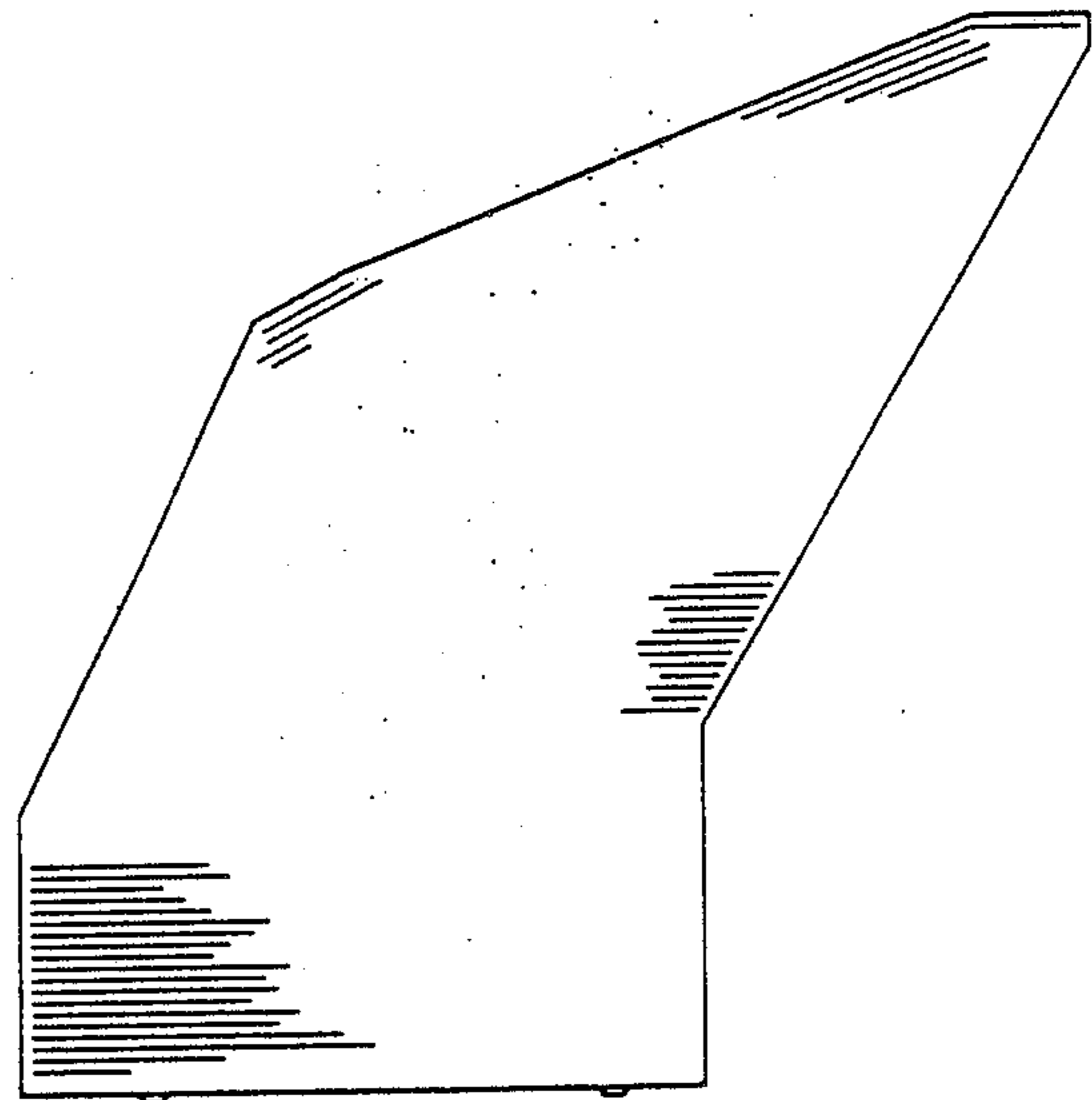


FIG. 12