

- [54] **COMPUTER TERMINAL WITH DETACHABLE KEYBOARD**
- [75] Inventors: **Stephen J. Messerschmidt**, Laguna Hills; **James E. Grove**, Van Nuys, both of Calif.
- [73] Assignee: **Informer, Inc.**, Garden Grove, Calif.
- [**] Term: **14 Years**
- [21] Appl. No.: **66,646**
- [22] Filed: **Jun. 26, 1987**
- [52] U.S. Cl. **D14/106**
- [58] Field of Search **D14/100, 102, 106, 107, D14/113, 114, 115; D21/48; D18/1, 2, 6, 7, 11, 12; 235/145 A, 145 R; 340/700, 706, 711, 712; 358/249, 254; 364/706-710, 130, 144, 189; 341/22, 23; 312/208; 400/682, 677, 472, 489, 492, 496**

[56] **References Cited**
U.S. PATENT DOCUMENTS

D. 278,340	4/1985	Enomoto	D14/100
D. 283,511	4/1986	Dunn	D14/106
D. 285,562	9/1986	Graham et al.	D14/100
D. 294,029	2/1988	Nishiyama et al.	D14/106
D. 294,831	3/1988	Hara et al.	D14/106
D. 299,726	2/1989	Yukawa	D21/48 X
4,496,200	1/1985	Hagstrom et al.	312/208
4,704,604	11/1987	Fuhs	364/708 X

OTHER PUBLICATIONS

Popular Mechanics—Feb. 1986 p. 97—Portable Computer Computer Box.

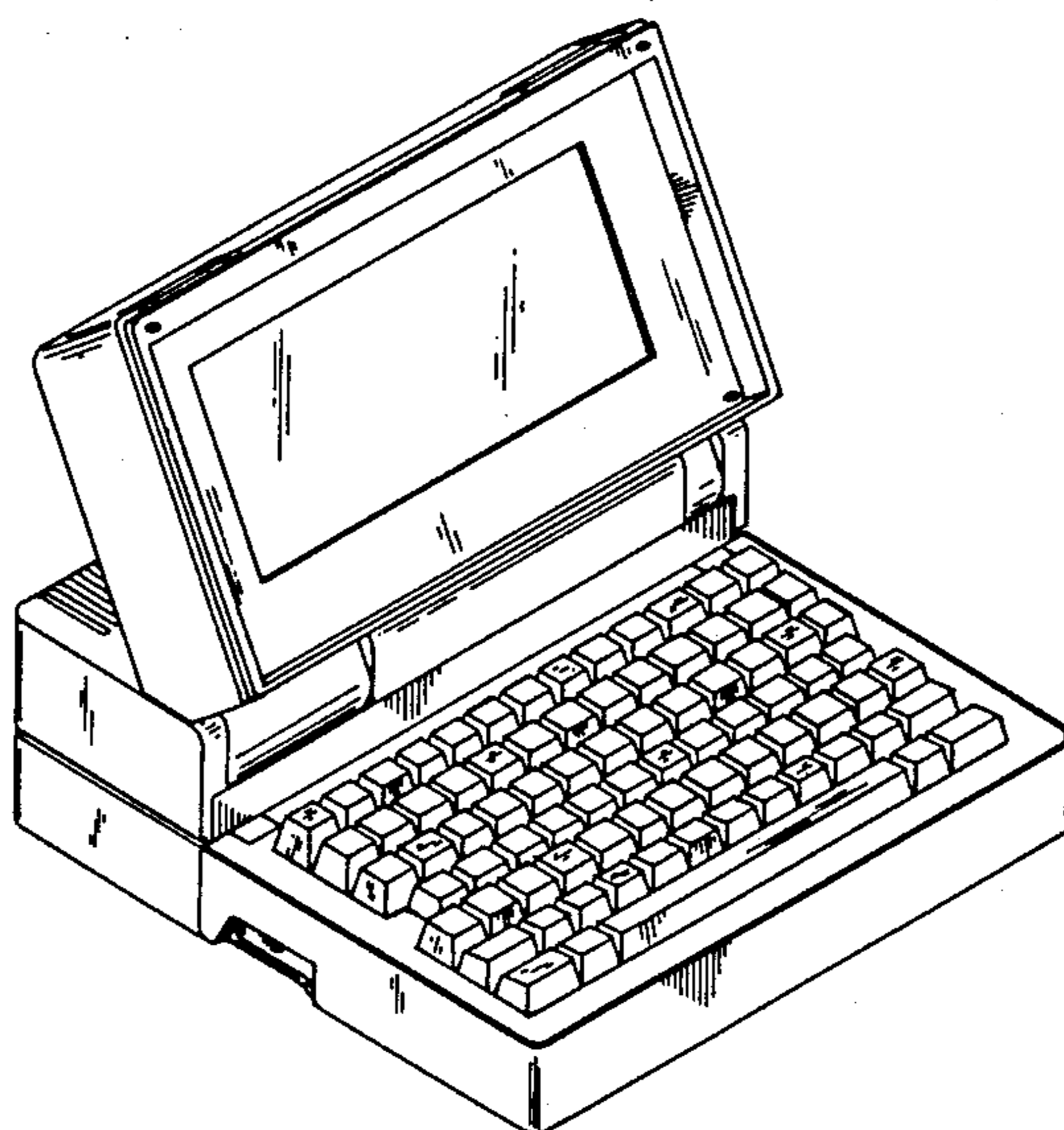
Primary Examiner—Susan J. Lucas
Assistant Examiner—Freda Selma-Nunn
Attorney, Agent, or Firm—George F. Bethel; Patience K. Bethel

[57] **CLAIM**

The ornamental design for a computer terminal with detachable keyboard, as shown and described.

DESCRIPTION

FIG. 1 is a top, front, left side perspective view of a computer terminal with detachable keyboard showing our new design;
 FIG. 2 is a bottom, rear, right side perspective view thereof;
 FIG. 3 is a top, front, left side perspective view thereof on a reduced scale, the top being in an opened position;
 FIG. 4 is a top plan view of the keyboard shown detached from the terminal;
 FIG. 5 is a right side elevational view thereof;
 FIG. 6 is a left side elevational view of the terminal;
 FIG. 7 is a rear elevational view thereof, the keyboard being detached;
 FIG. 8 is a front elevational view thereof, the keyboard being detached.



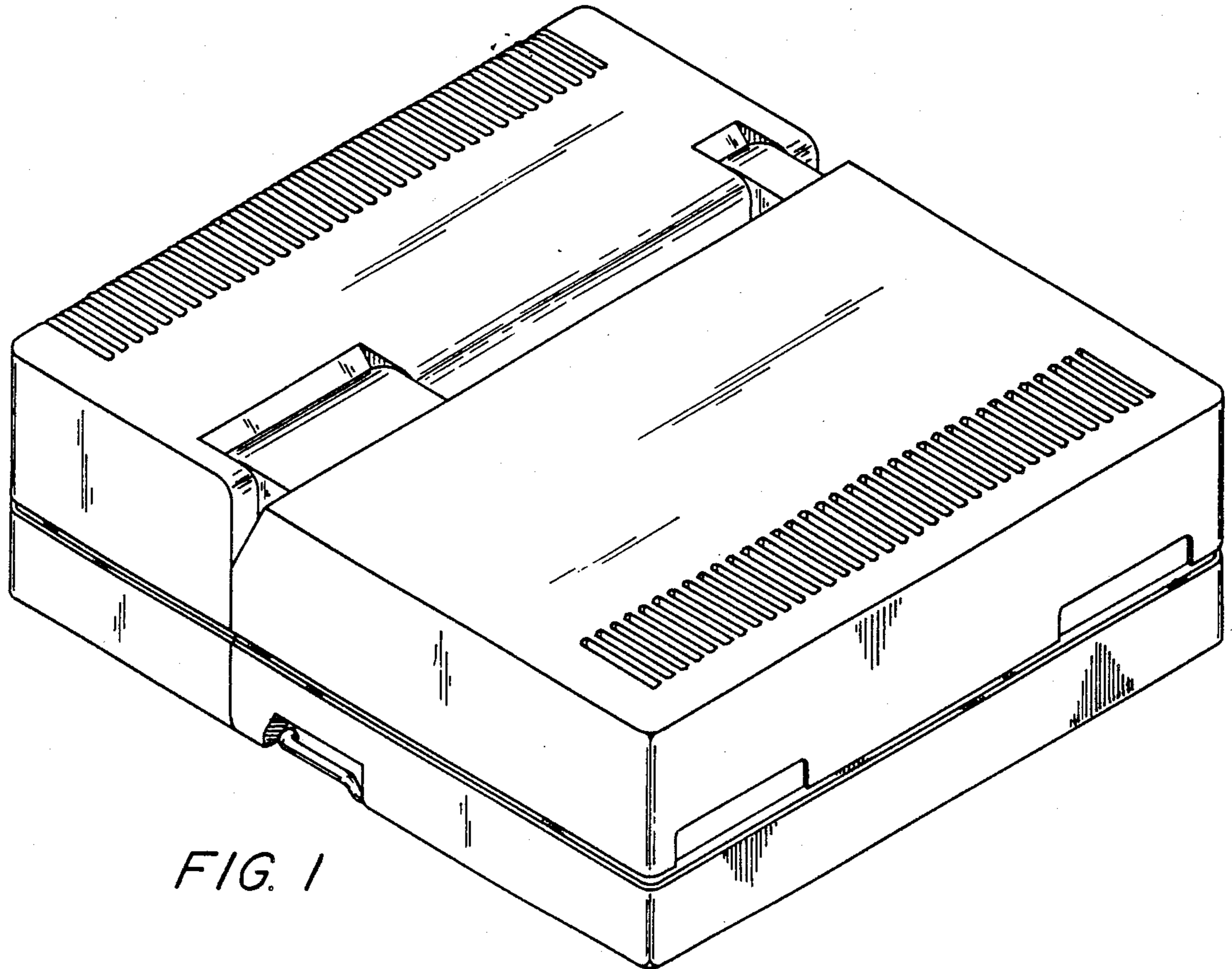


FIG. 1

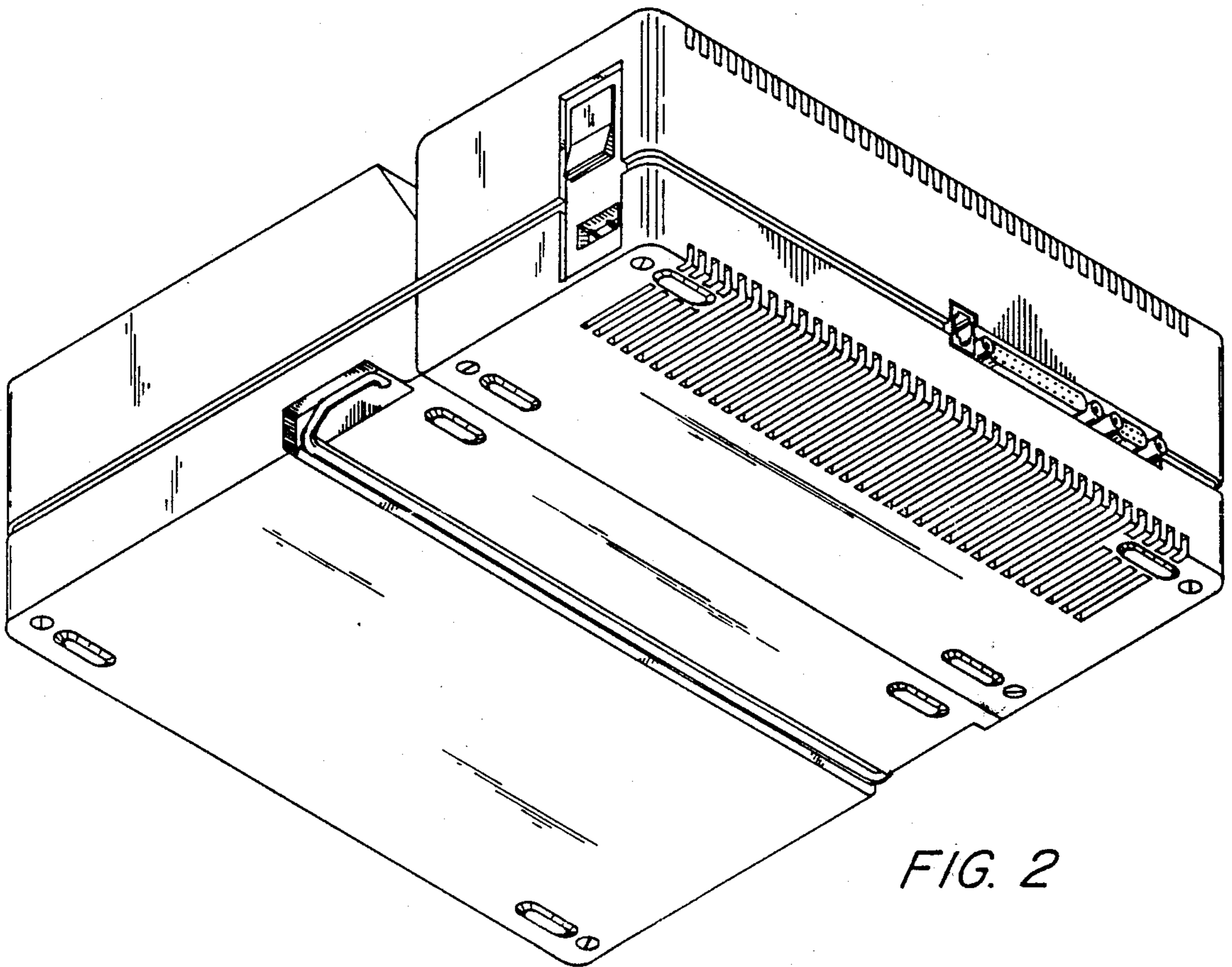


FIG. 2

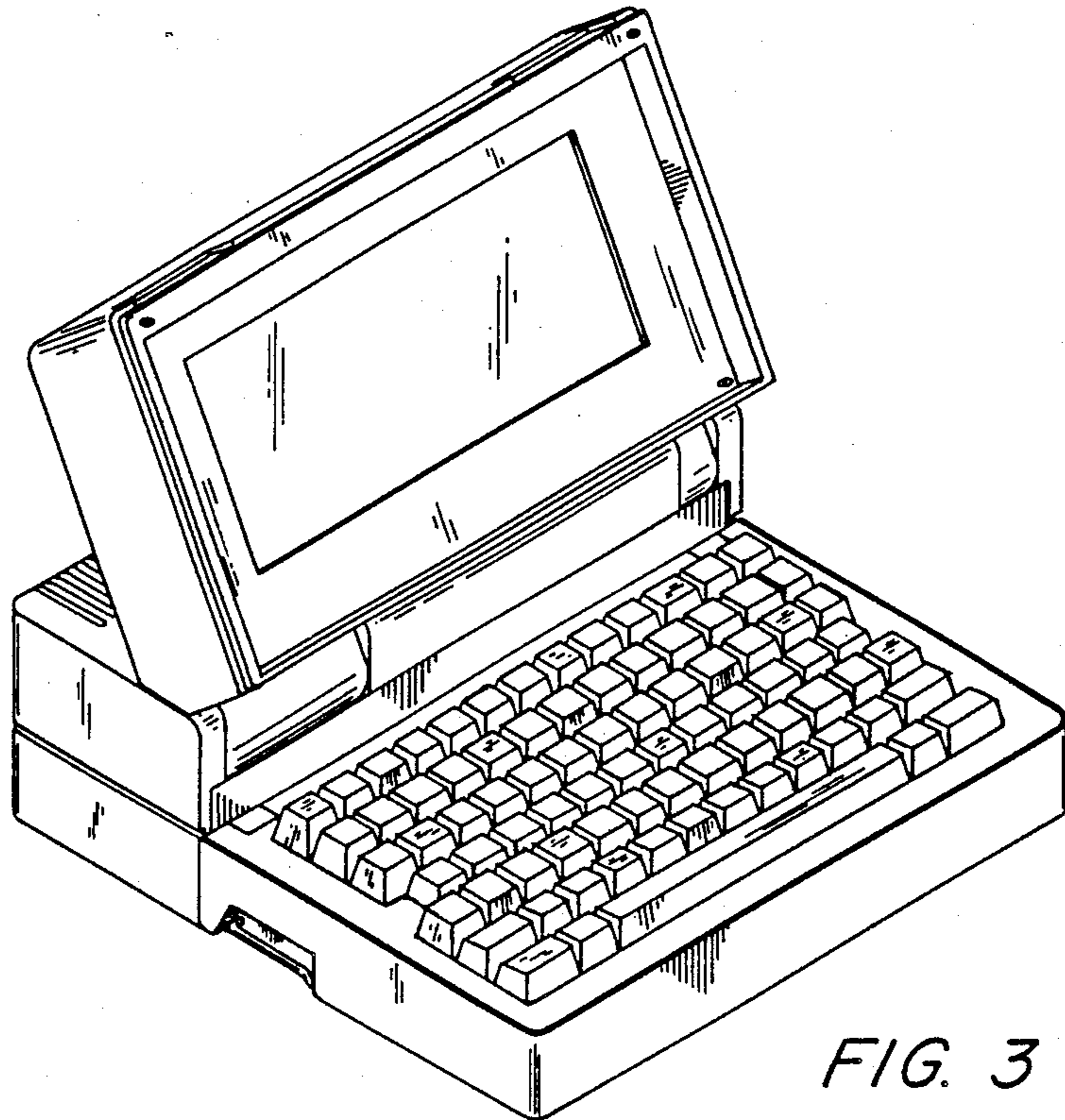


FIG. 3

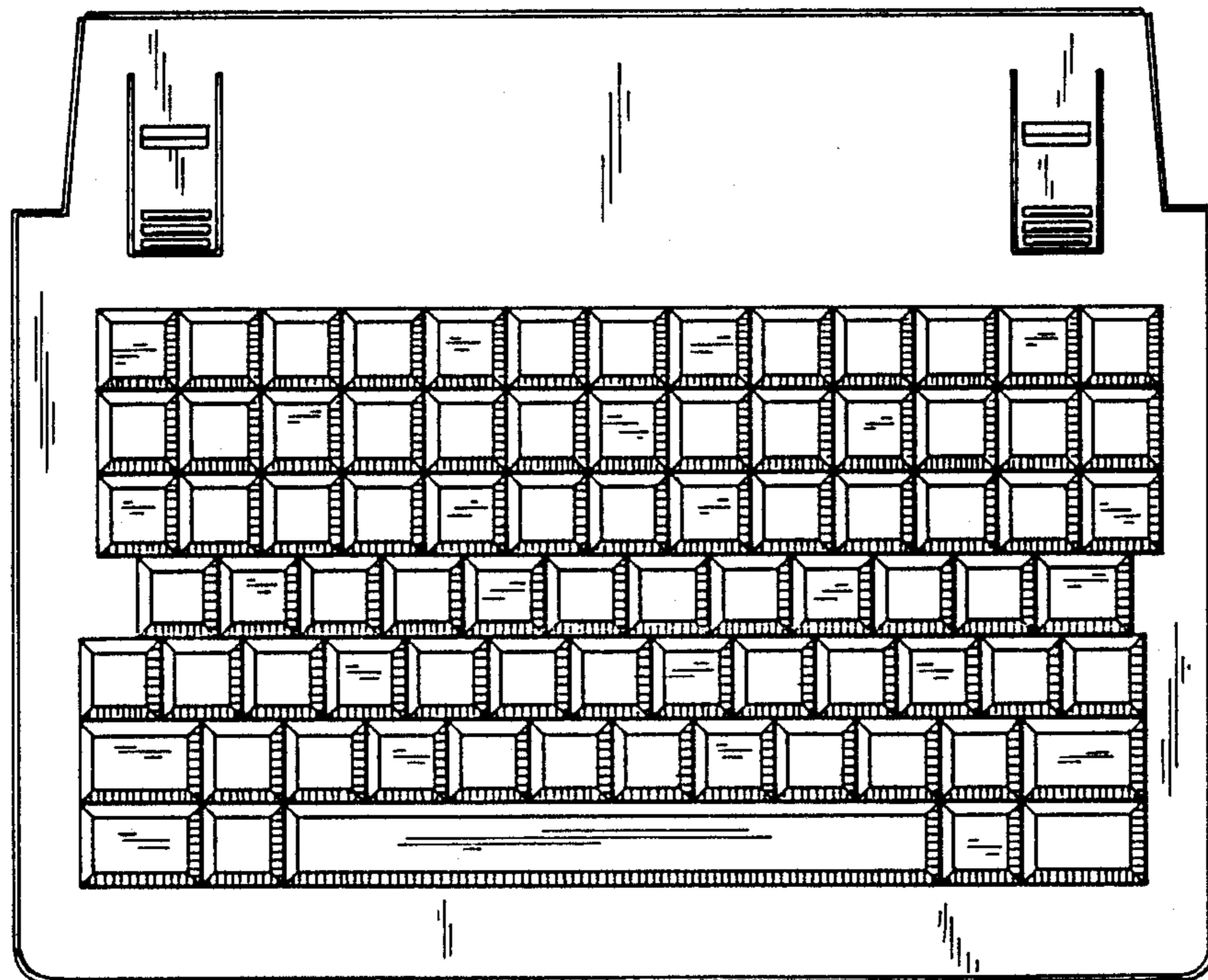


FIG. 4

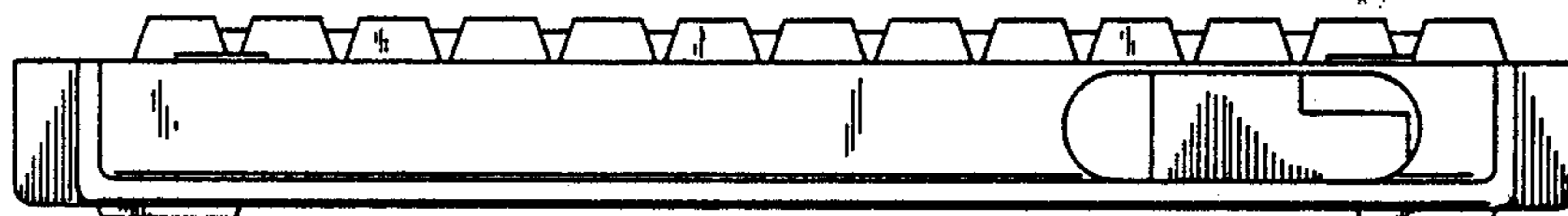


FIG. 5

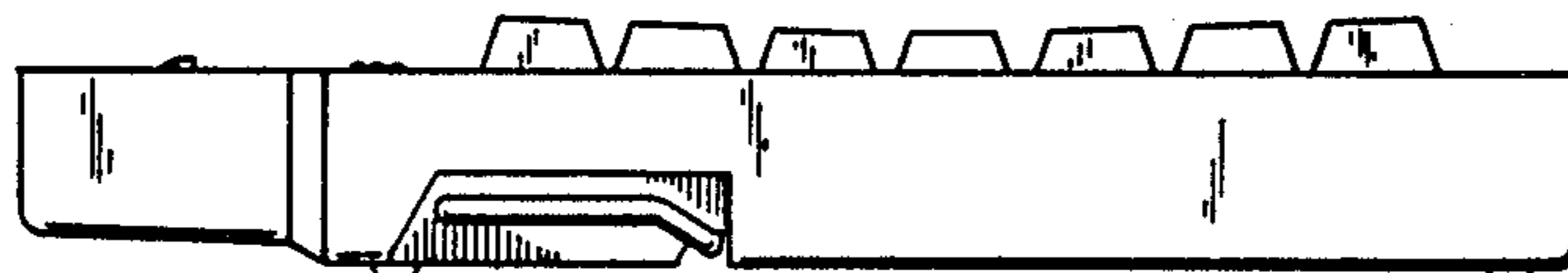


FIG. 6

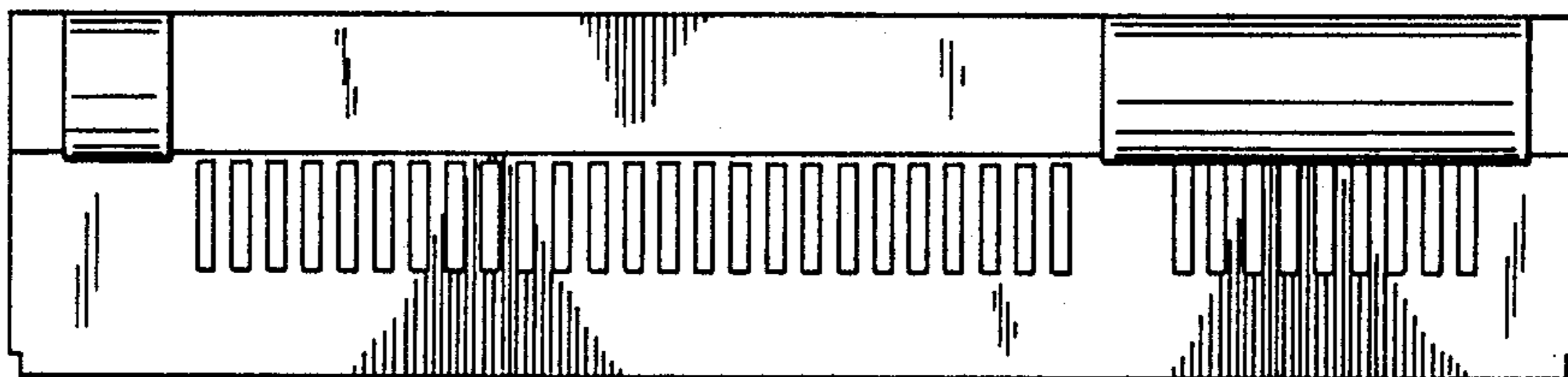


FIG. 7

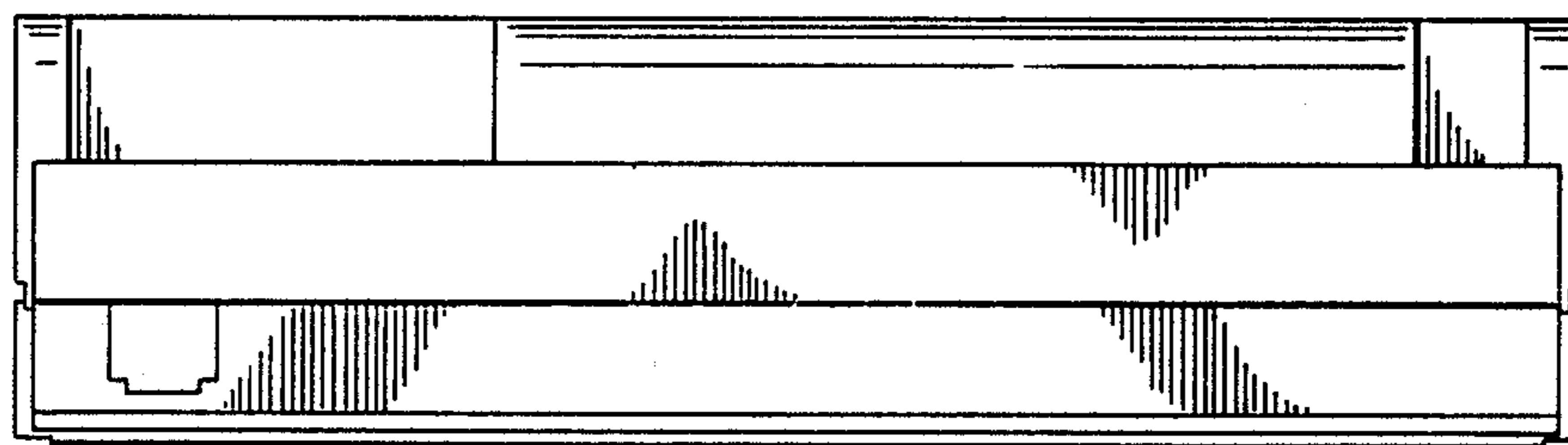


FIG. 8