

[54] **LEVEL SENSING SWITCH**

[76] **Inventor: Mark K. Gaalswyk, R.R. 1, Box 85, Welcome, Minn. 56181**

[**] **Term: 14 Years**

[21] **Appl. No.: 44,570**

[22] **Filed: May 1, 1987**

[52] **U.S. Cl. D13/158**

[58] **Field of Search D13/32, 33, 40; 200/61.2, 61.21, DIG. 15; 220/3.2, 3.3; 174/50, 65 R, 66**

[56] **References Cited**

U.S. PATENT DOCUMENTS

3,941,956 3/1976 Delin et al. 200/61.2
4,392,032 7/1983 Roach, II 200/61.21
4,695,685 9/1987 Fleckenstein et al. 200/61.21

FOREIGN PATENT DOCUMENTS

0102877 1/1938 Australia 174/50

OTHER PUBLICATIONS

Signal Conditioners on p. 301 of *New Equipment Design*, 3-85.

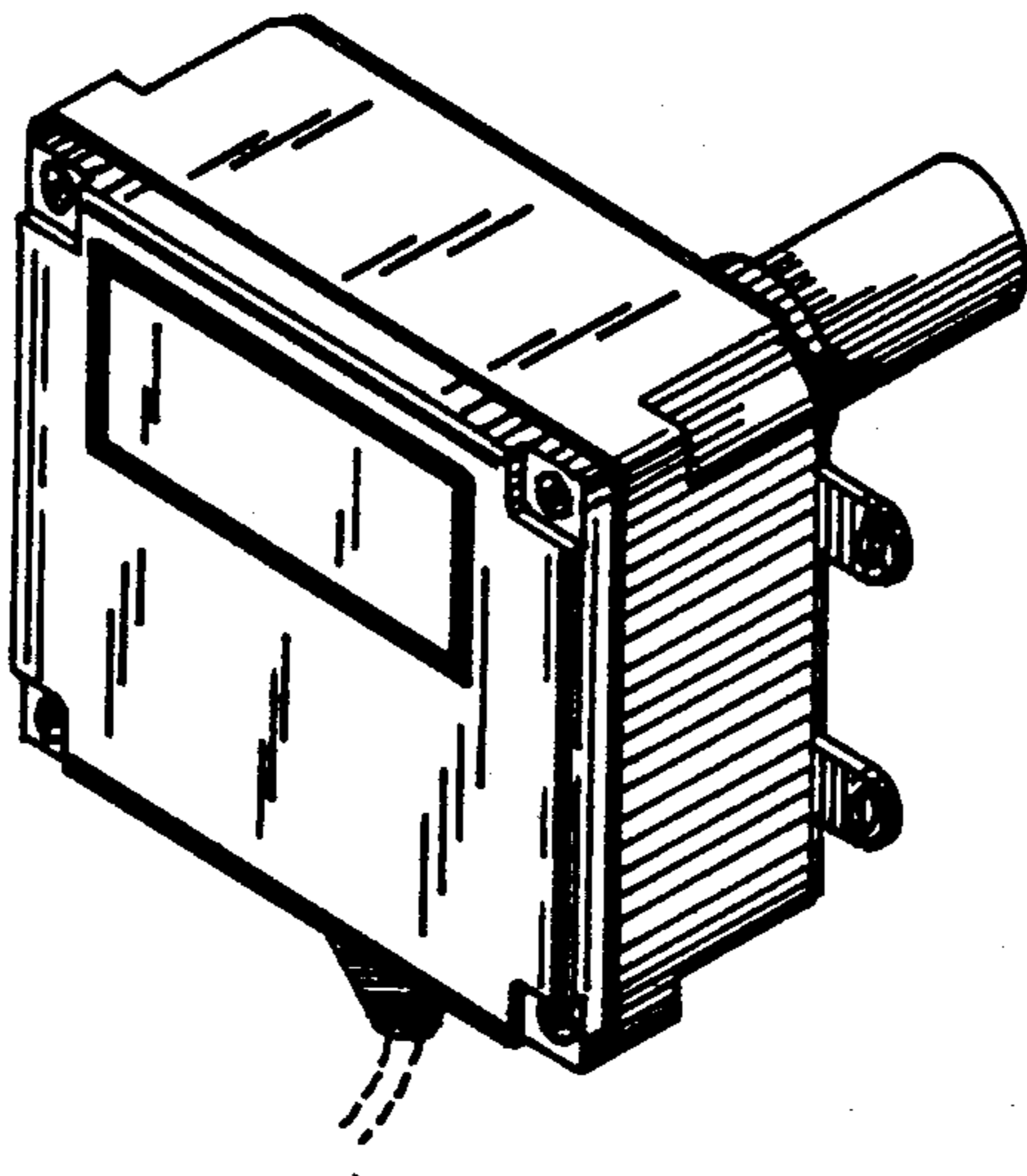
Primary Examiner—Susan J. Lucas
Assistant Examiner—Joel Sincavage
Attorney, Agent, or Firm—Henderson & Sturm

[57] **CLAIM**

The ornamental design for a level sensing switch, as shown and described.

DESCRIPTION

FIG. 1 is a perspective view of a level sensing switch showing my new design;
FIG. 2 is a front elevational view thereof;
FIG. 3 is a rear elevational view thereof;
FIG. 4 is a left-side elevational view thereof;
FIG. 5 is a right-side elevational view thereof;
FIG. 6 is a top plan view thereof;
FIG. 7 is a bottom plan view thereof; and
FIG. 8 is a perspective view of a second embodiment of the level sensing switch showing the sensing probe extending from the bottom thereof. The broken line showing is for illustrative purposes only and forms no part of the claimed design;
FIG. 9 is a rear elevational view thereof.



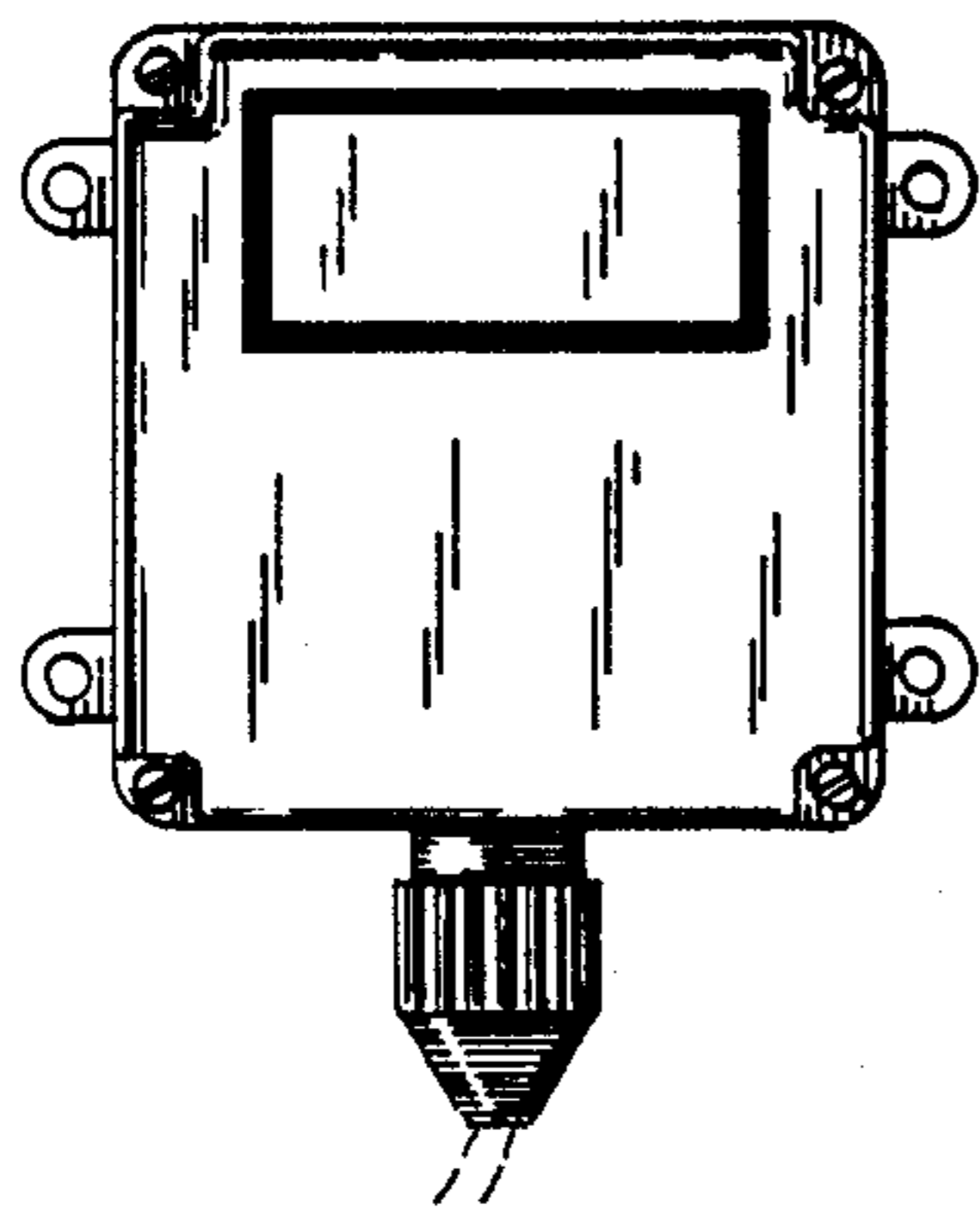


Fig. 2

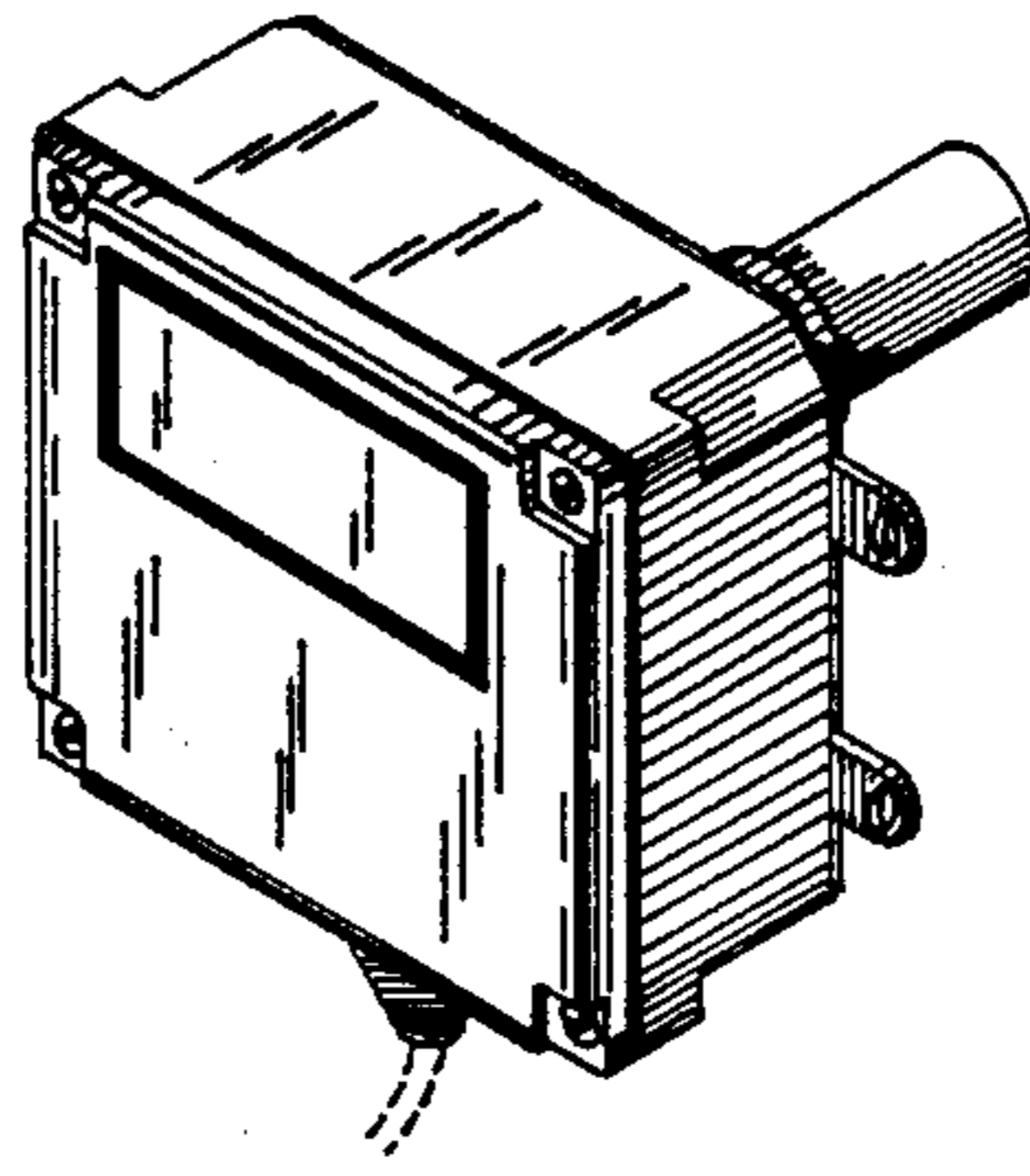


Fig. 1

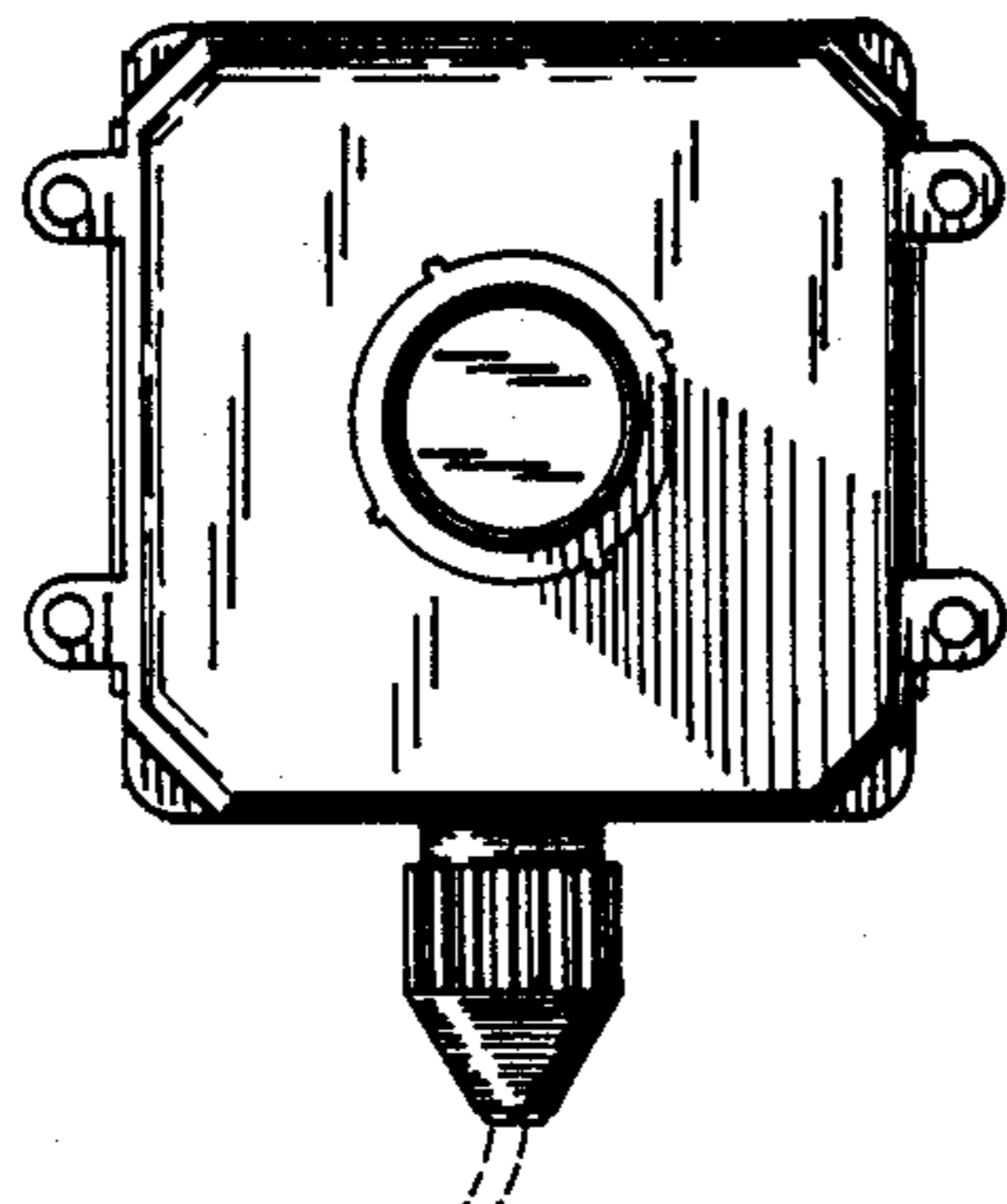


Fig. 3

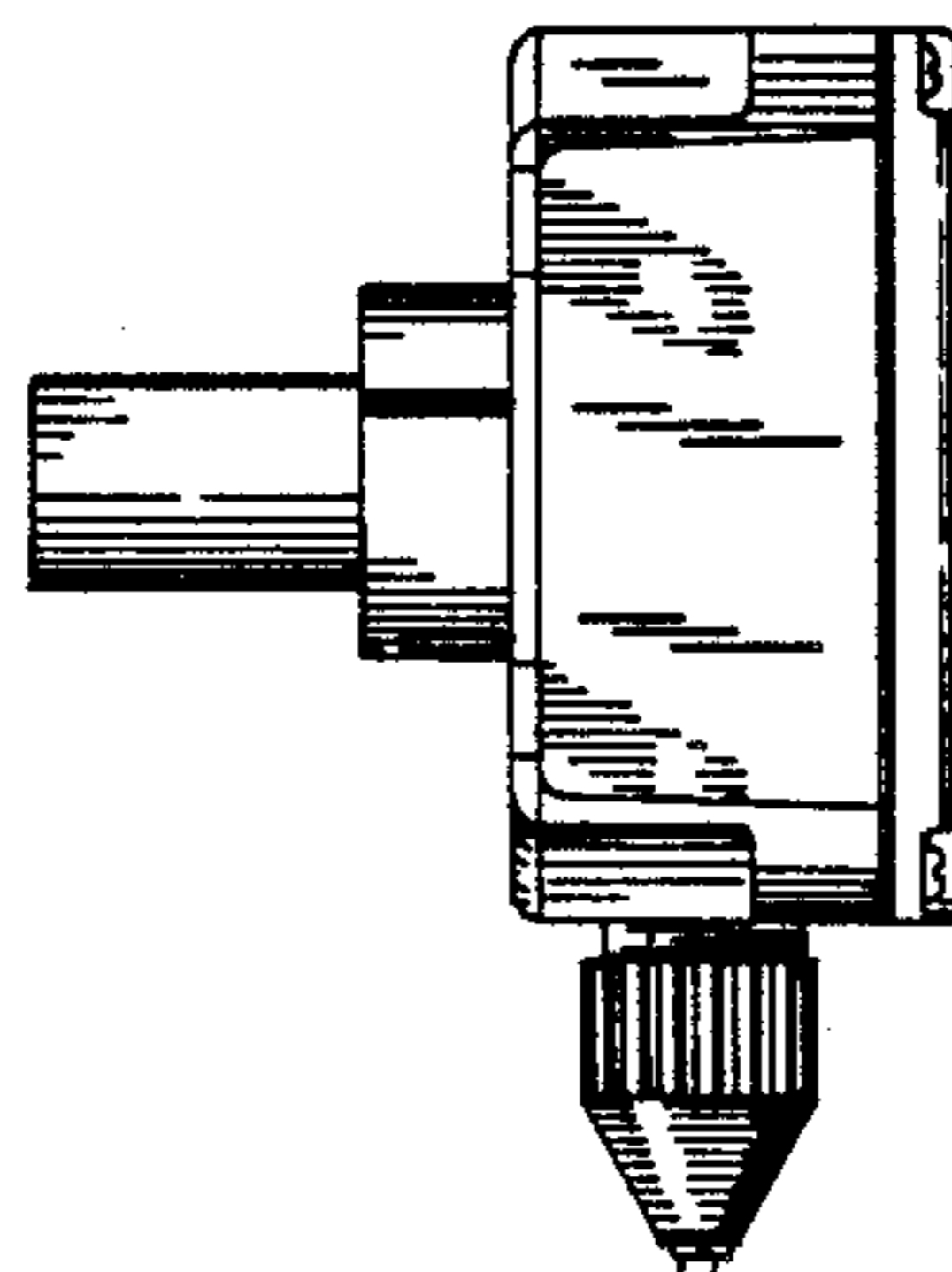


Fig. 4

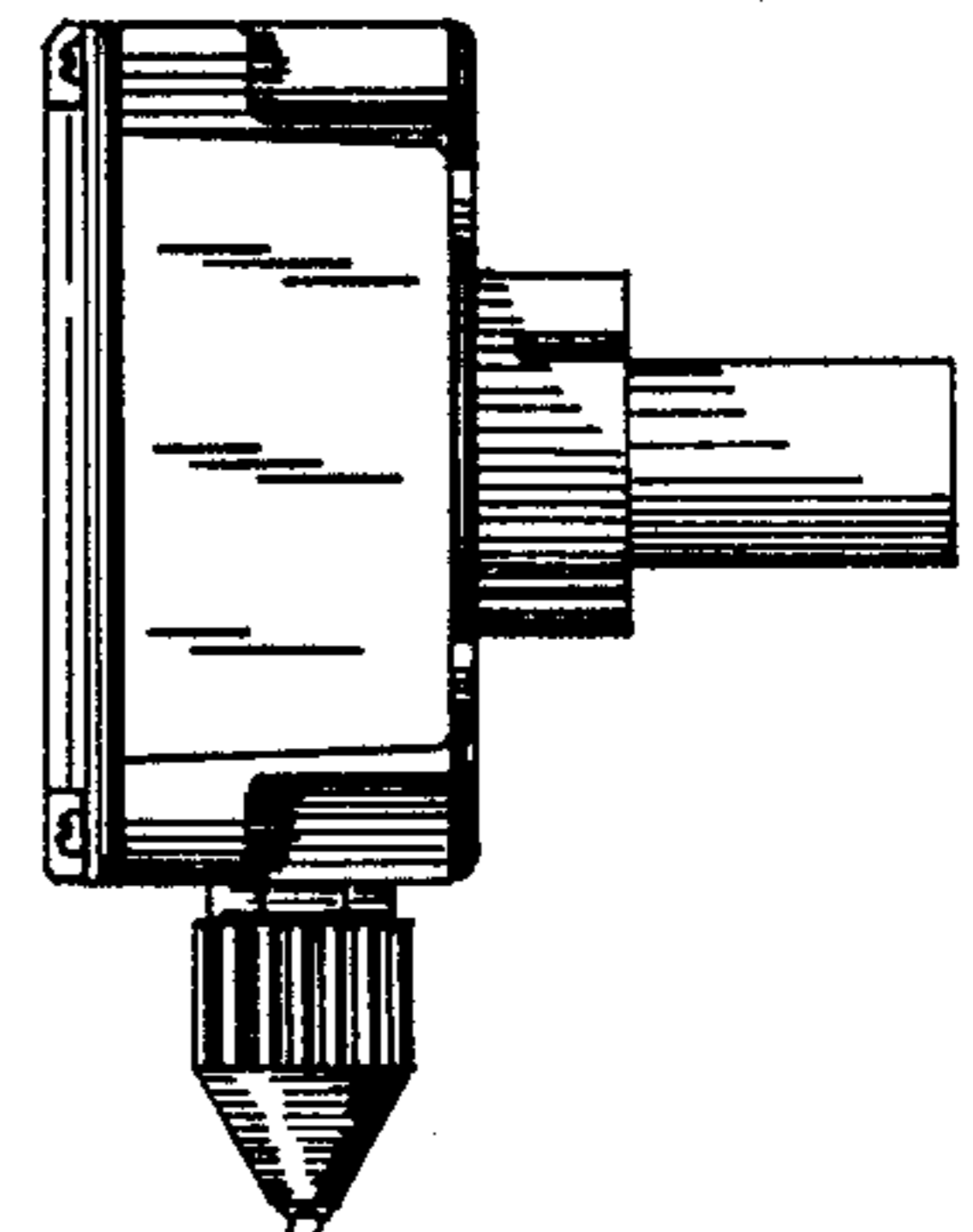


Fig. 5

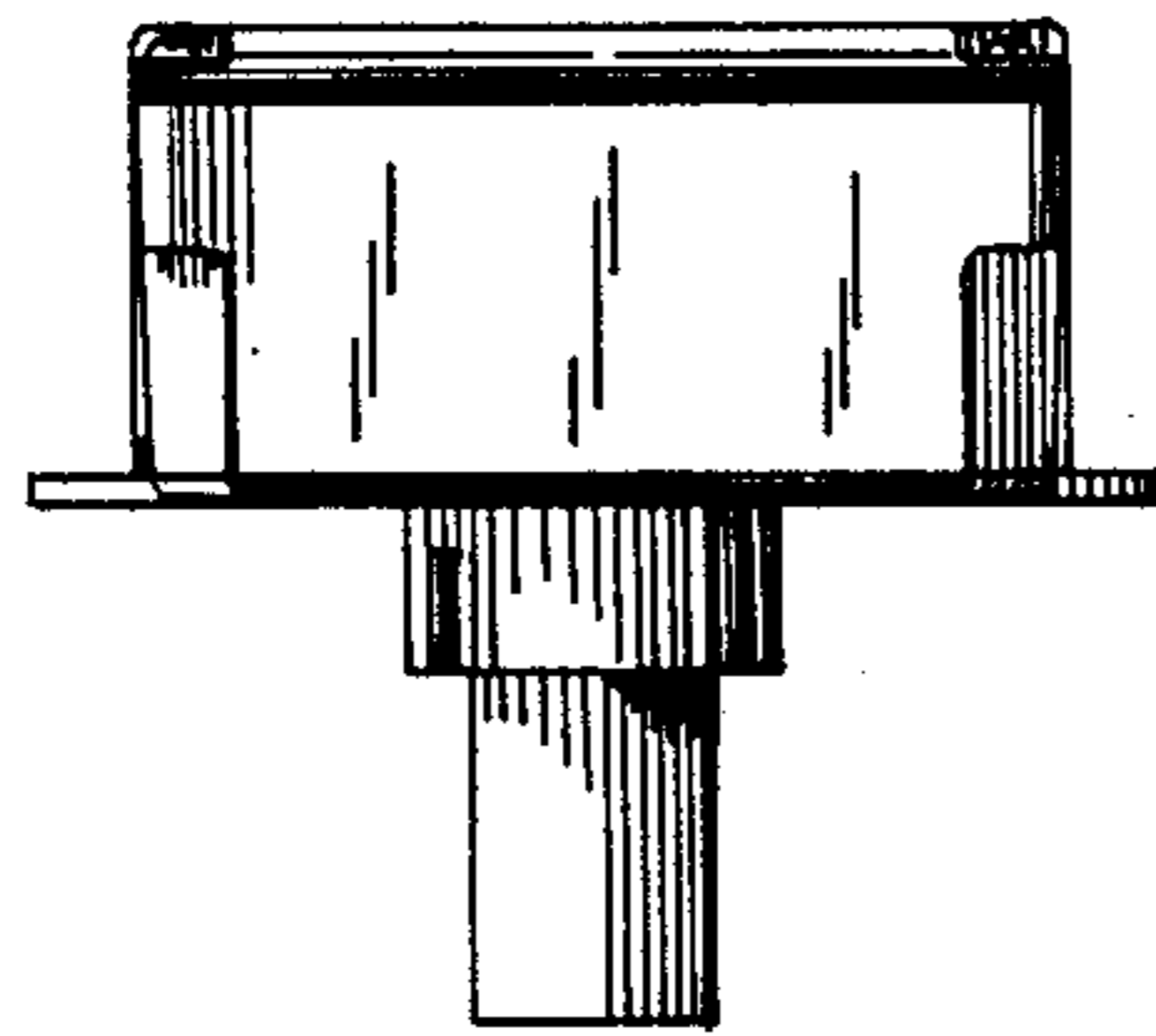


Fig. 6

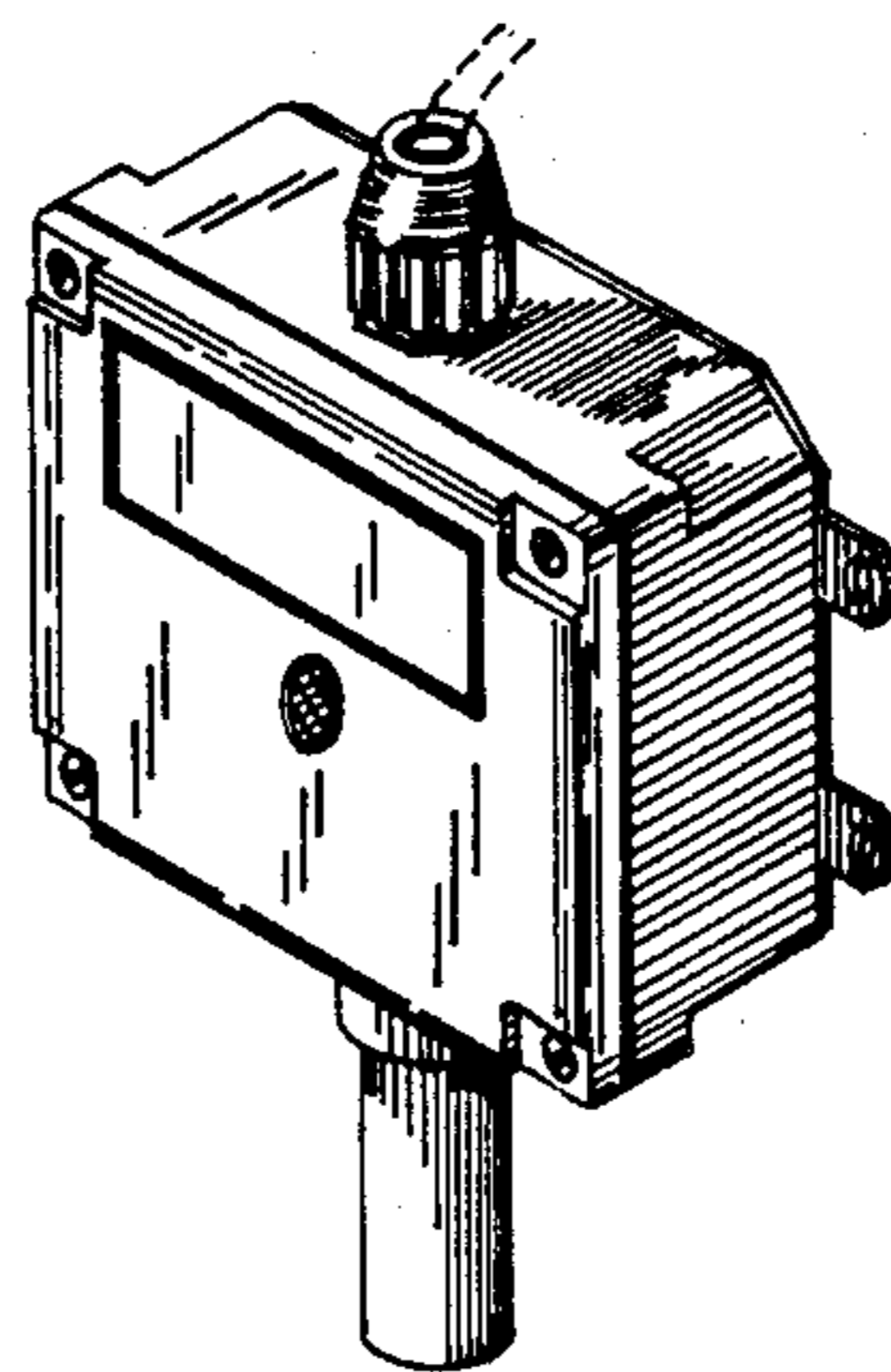


Fig. 8

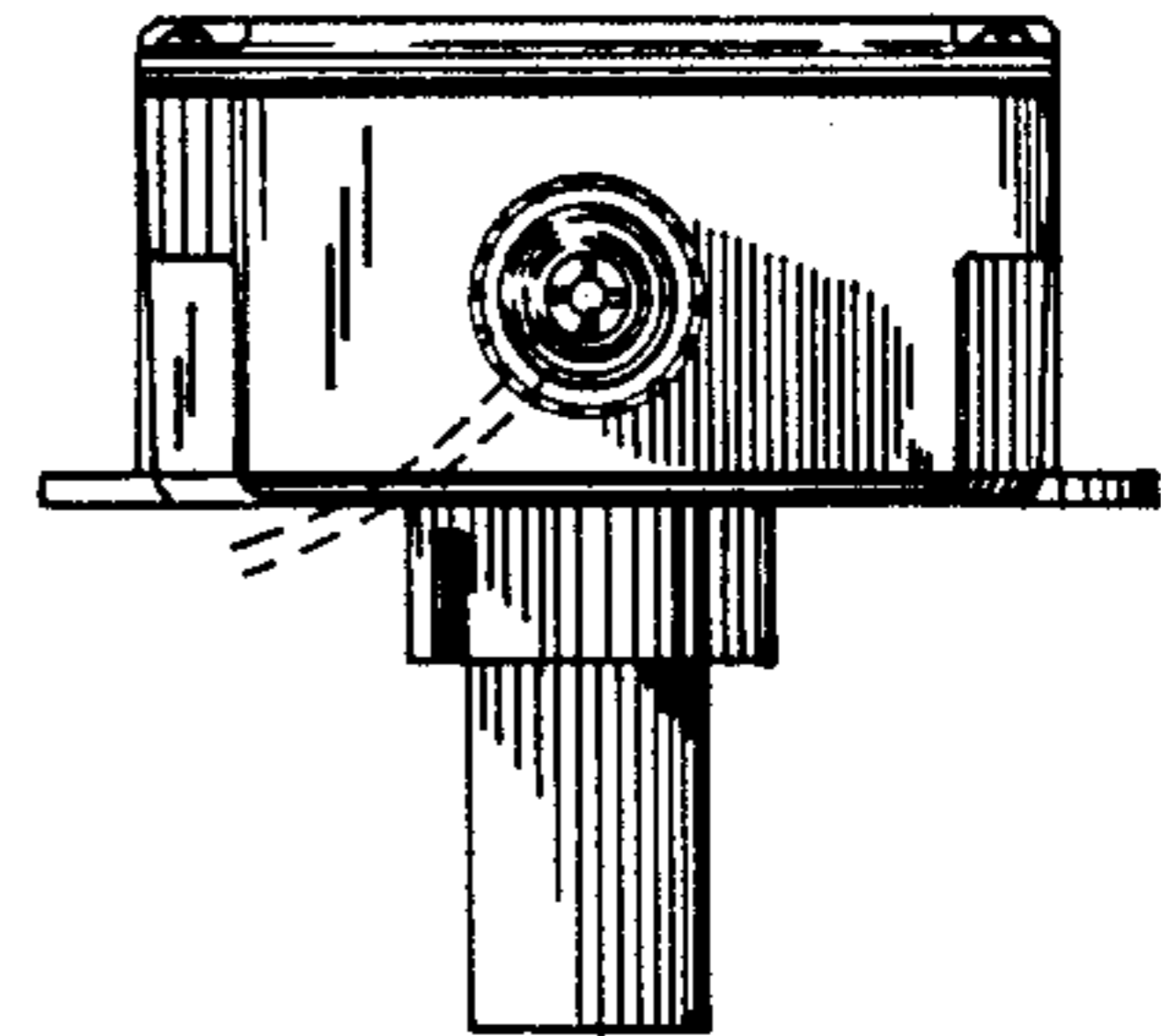


Fig. 7

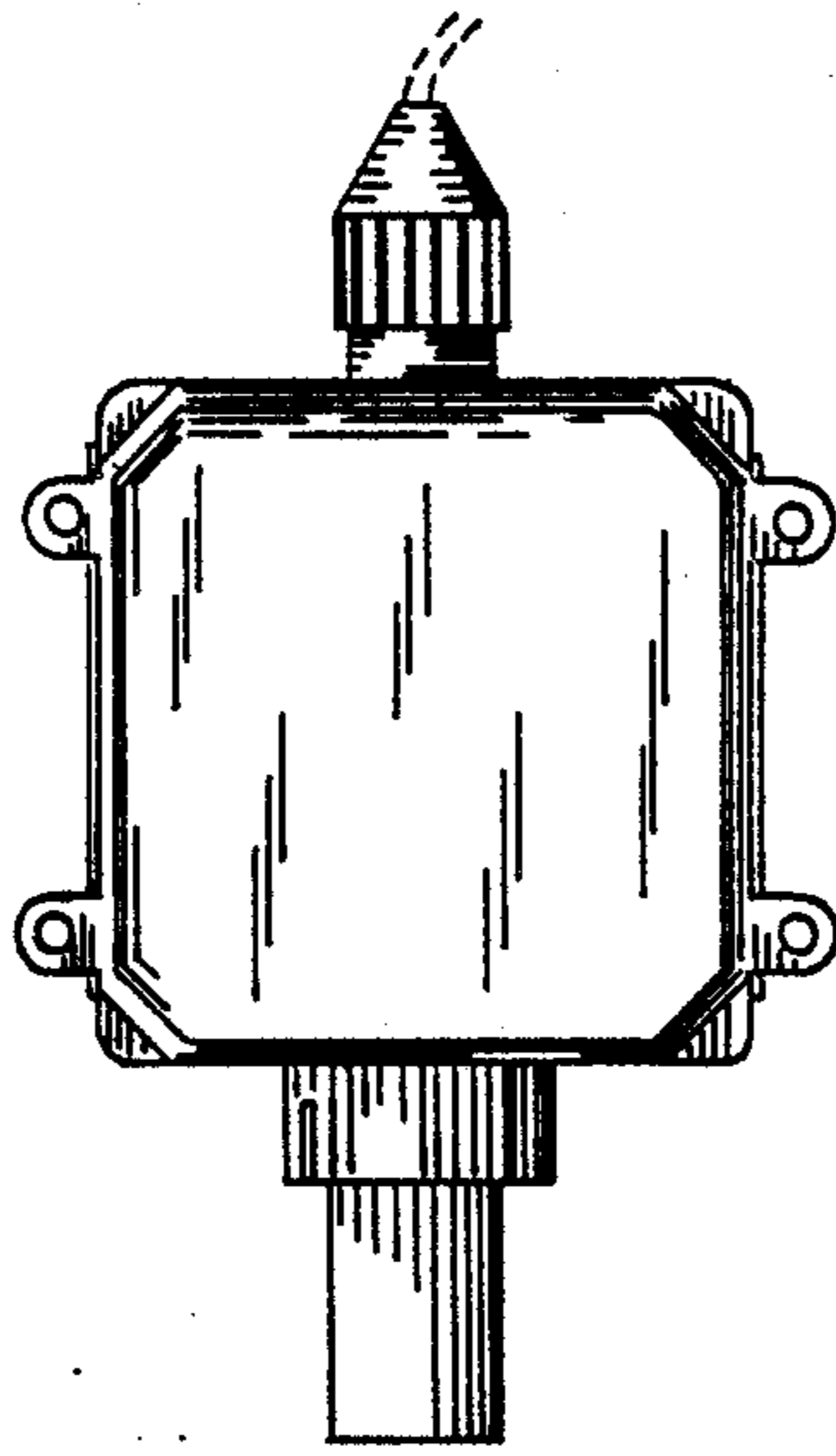


Fig. 9