

[54] **VEHICLE TIRE**

[75] **Inventors:** Silvana Hinrichsen; Alessandro Ceccarelli, both of Rome, Italy

[73] **Assignee:** Bridgestone/Firestone, Inc., Akron, Ohio

[**] **Term:** 14 Years

[21] **Appl. No.:** 135,104

[22] **Filed:** Dec. 18, 1987

[30] **Foreign Application Priority Data**

Jul. 16, 1987 [IT] Italy 53527/87[U]

[52] **U.S. Cl.** D12/147

[58] **Field of Search** D12/145-151;
152/209 R, 209 B, 209 D

[56] **References Cited**

U.S. PATENT DOCUMENTS

- D. 261,878 11/1981 Baus et al. D12/147
- D. 277,272 1/1985 Sladky et al. D12/146
- D. 280,612 9/1985 Tansei D12/146
- D. 283,703 5/1986 Schoonhoven D12/147
- D. 294,815 3/1988 Nagayasu D12/147

OTHER PUBLICATIONS

1987 Tread Design Guide, ©1/87, p. 156, Yokohama Super Van Y356 Tire, second row down from top, right side of page.

1987 Tread Design Guide ©1/87, p. 165, Continental HD70 Tire, bottom right side of page.

1986 Tread Design Guide, Centennial Interceptor H Radial 60 and 70, p. 21; top row, second from left and center, respectively.

Primary Examiner—James M. Gandy

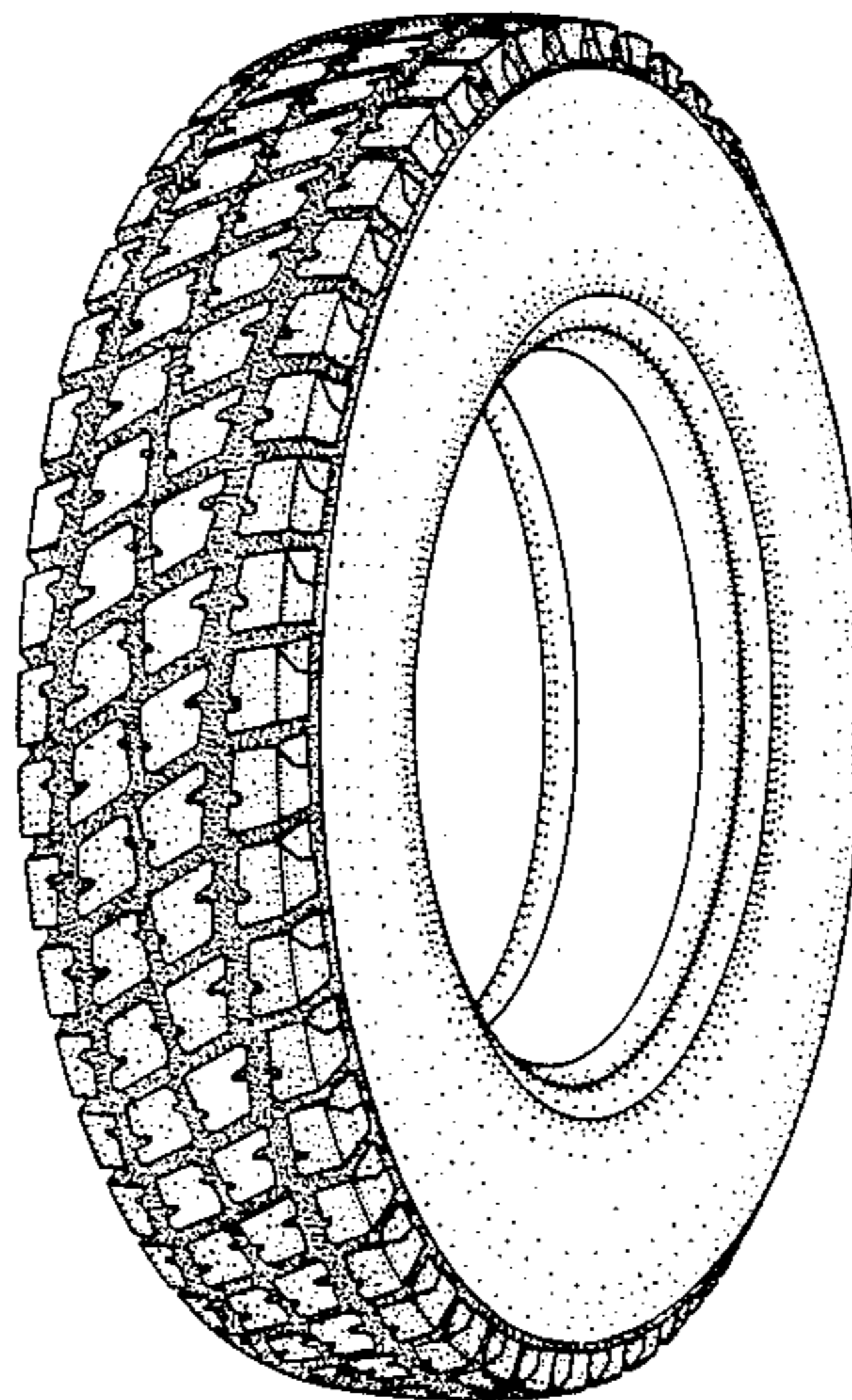
Attorney, Agent, or Firm—Ernst H. Ruf

[57] **CLAIM**

The ornamental design for a vehicle tire, as shown and described.

DESCRIPTION

FIG. 1 is a perspective view of a tire embodying our new design, it being understood that the tread pattern is repeated throughout the circumference of the tire, the opposite side being substantially the same as that shown. FIG. 2 is a front elevational view thereof. FIG. 3 is a side elevational view thereof.



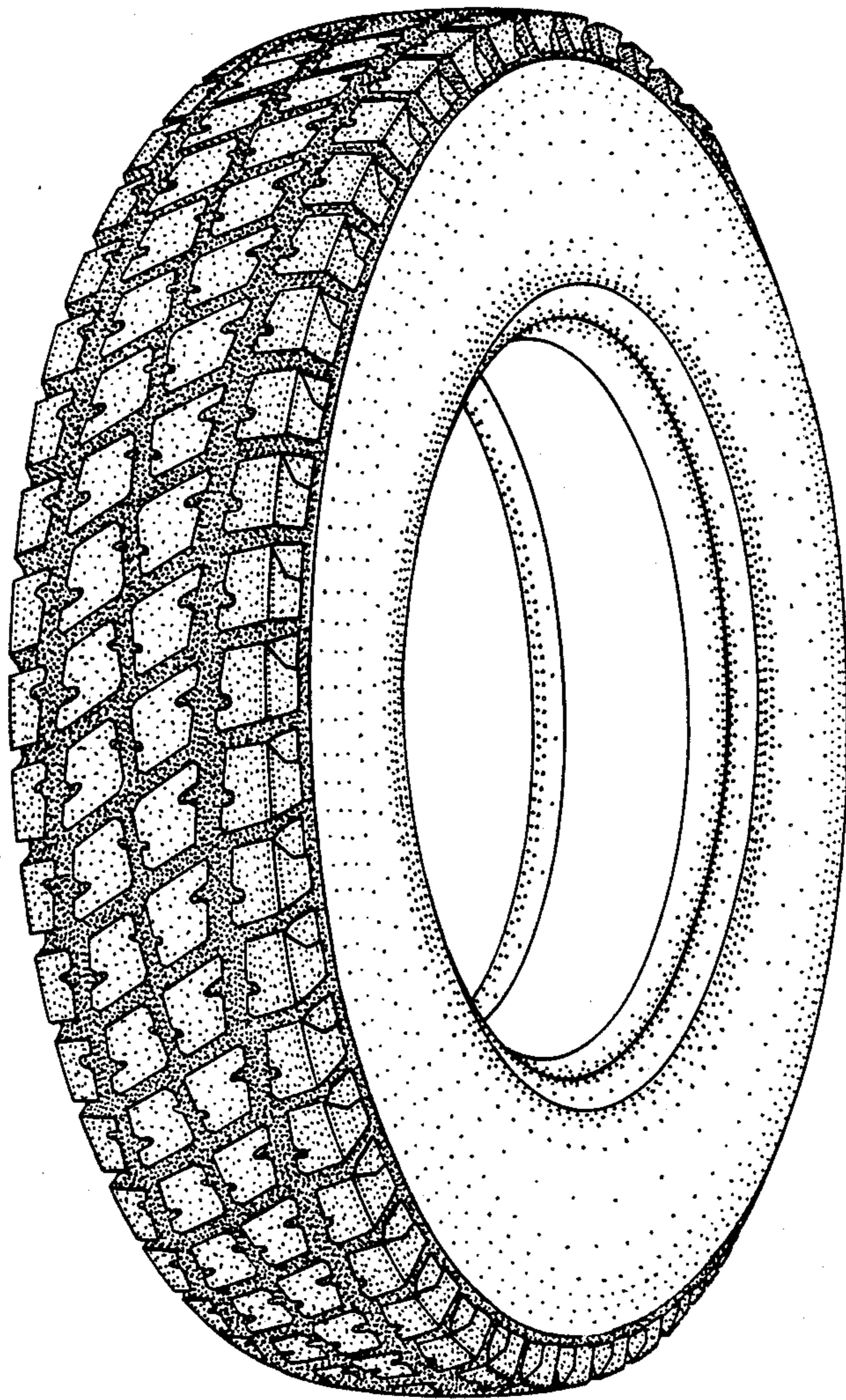


FIG. 1

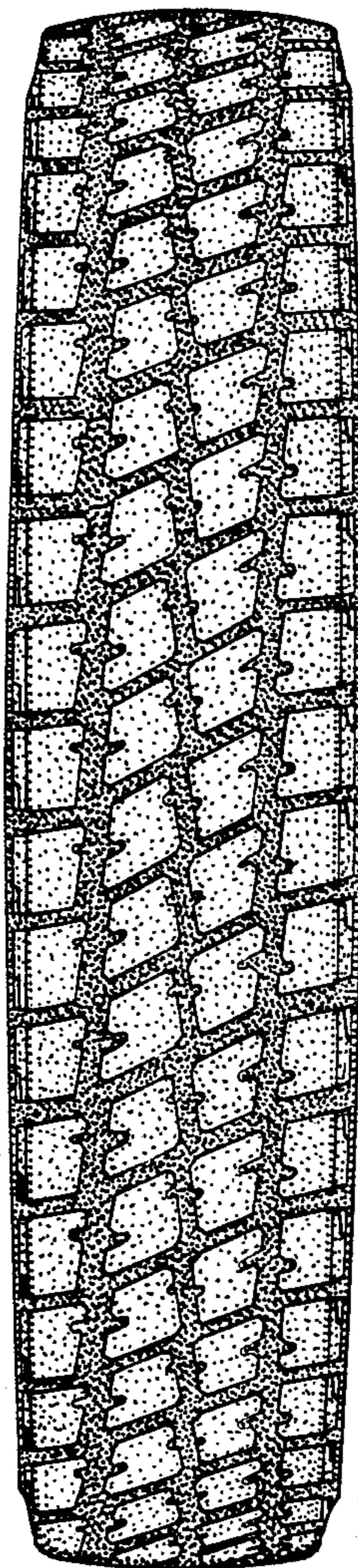


FIG. 2

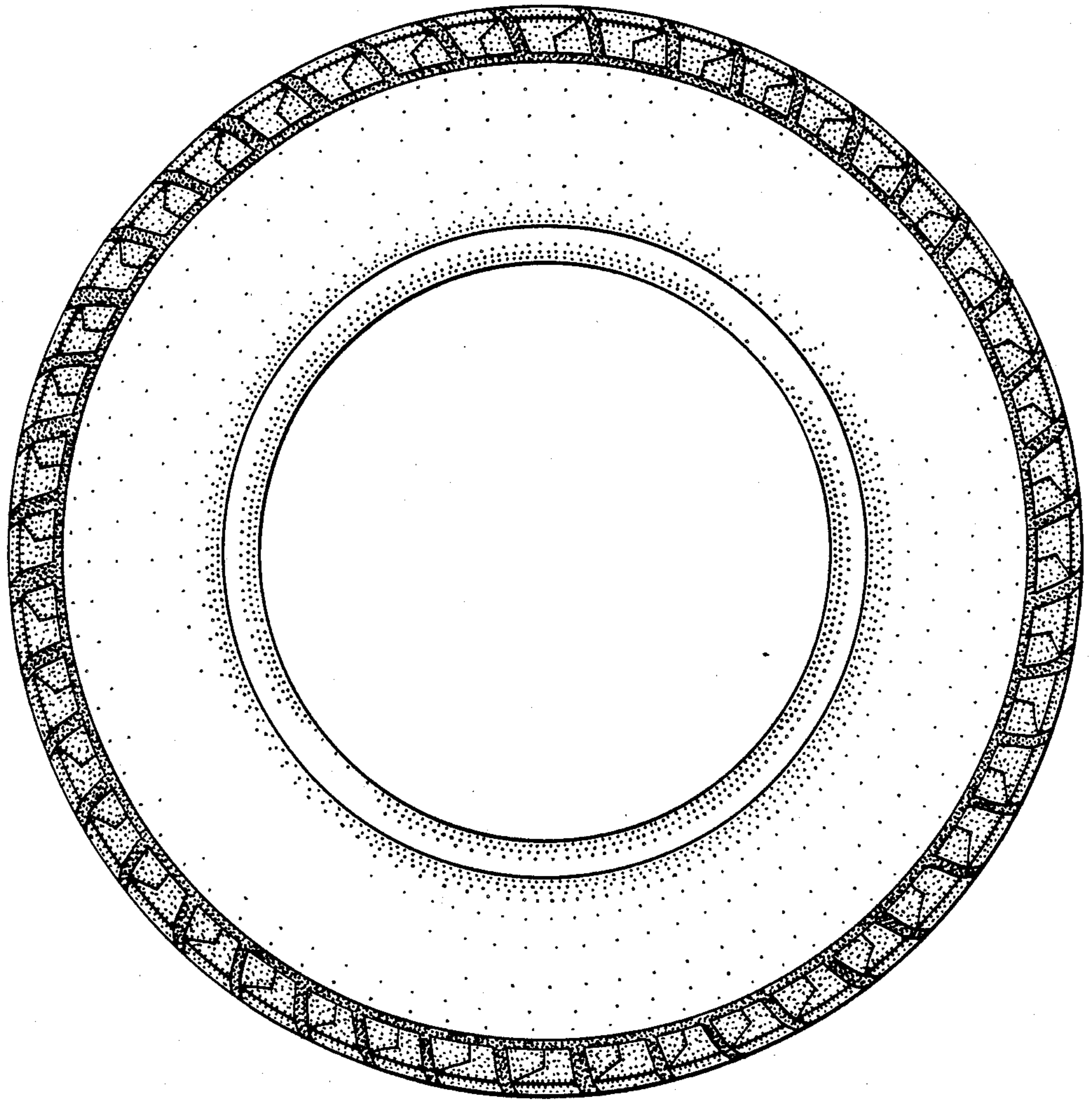


FIG. 3